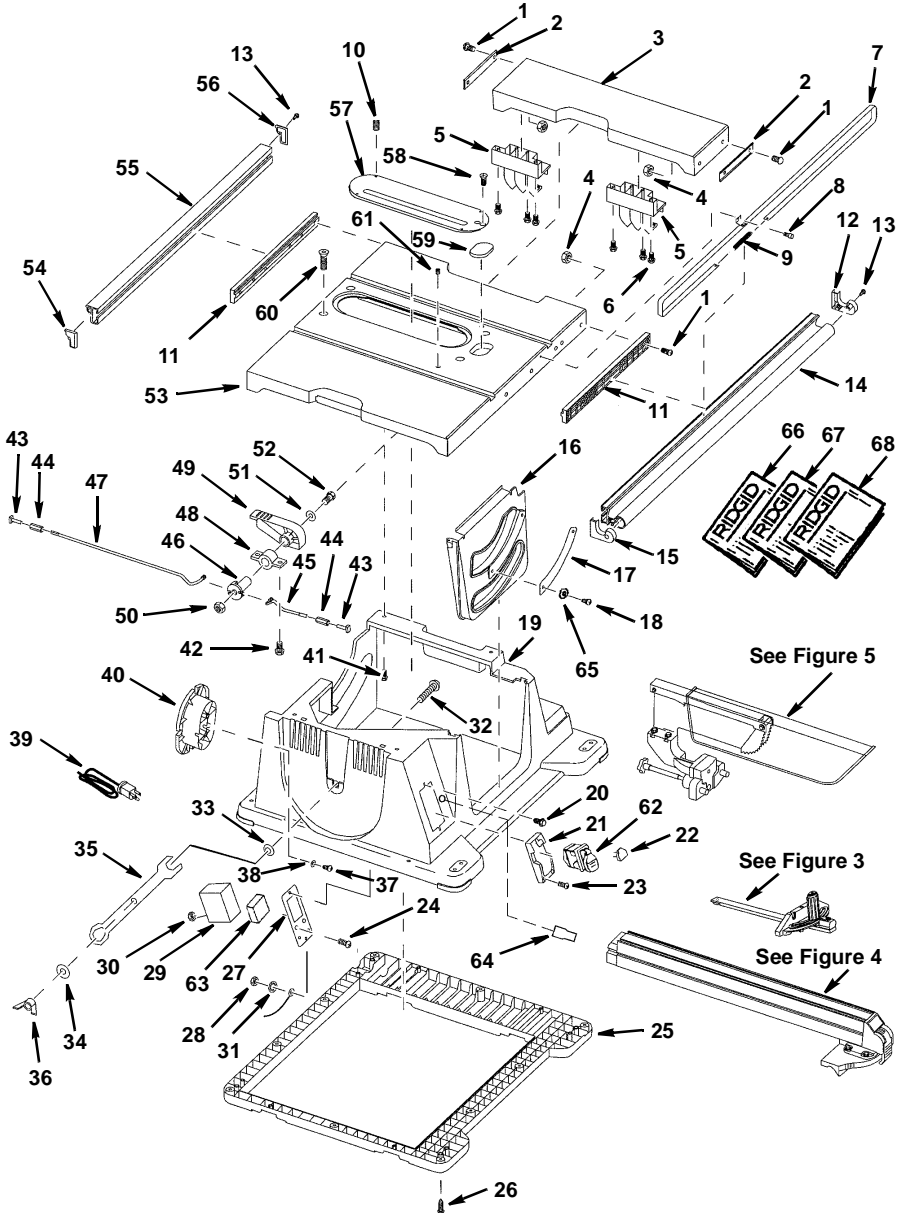


**Parts List for RIDGID 10 Inch Table Saw
Model No. TS24001**

RIDGID parts are available on-line at www.ridgidparts.com

Figure 1



Repair Parts

Parts List for RIDGID 10 Inch Table Saw Model No. TS24001

RIDGID parts are available on-line at www.ridgidparts.com

Figure 1

Always Order by Part Number - not by Key Number

Key No.	Part No.	Description	Key No.	Part No.	Description
1	126317	* Bolt Carriage 1/4-20 x 1	36	827874	Nut Wing Nylon 1/2-13
2	827518	Mount Rail Extension	37	808380-17	* Screw Pan Hd #10 x 3/4 Plastite
3	827545	Table Extension	38	805550-5	Washer 7/32 x 5/8 x 1/16
4	73352	* Nut Hex Flange 1/4-20	39	830405	Cord w/Plug
5	827478	Clip Fence	40	830406	Wrap Cord
6	159572-146	* Screw Hex Wash Hd Ty T 10-32 x 7/8	41	274622	Screw Hex Hd Ty T 1/4-20 x 1
7	830397	Scale Rip	42	821521	Screw Hex Hd Shoulder .312
8	809813-1	Screw Pan Rec 6-32 x 1/2	43	827463	Bolt T 1/4-20
9	827872	Spring Rip Scale	44	827482	Coupling 1/4-20
10	104879	Screw Lock Set 10-32x3/16	45	827515	Link Locking Front
11	827533	Slider Rail	46	827523	Pivot Linkage
12	830345	Cap Rail Front Right	47	827515-1	Link Locking Rear
13	448013	* Screw Pan Hd Ty Ab N8x1/2	48	830377	Bearing Rail Lock
14	830378	Rail Front	49	827514	Lever Table Lock
15	830396	Cap Rail Front Left	50	274205	Nut Lock 1/4-20
16	827497	Panel Front	51	805552	* Washer 17/64 x5/8 x 1/16
17	827870	Scale Bevel	52	813051-5	* Screw Pan Hd 1/4-20 x 2-3/4
18	808380-2	* Screw Pan Hd #8 x 3/8	53	830376	Table Main
19	829971-8	Base w/Labels	54	827645	Cap Rear Rail Left
20	9420474	* Screw Hex Wash Hd Ty T 10-32 x 1/2	55	827525	Rail Rear
21	826395	Bezel Switch	56	827470	Cap Rear Rail Right
22	AC1000	† Key Switch	57	509492	Insert Asm
23	808380-18	Screw Pan Hd #6 x 3/4 Plastite	58	809374	Screw Flat Hd 10-32 x 1
24	808275-4	* Screw Pan Hd 8-32 x 3/8	59	826390	Insert Ind-I-Cut
25	827493	Foot Base	60	805297-12	Screw Soc Flat Hd 5/16-18 x 1
26	808380-5	* Screw Pan Hd #8 Plastite	61	138671	Screw Set 5/16-18 x 5/8
27	830399	Plate Switch Box	62	826347	Switch Locking
28	805475	* Nut Hex 8-32	63	829971-7	Circuit Asm
29	830398	Box Switch	64	829971-6	Switch Reset Asm
30	169123-2	Relief Strain	65	805549-22	Washer #10 13/64 x 3/8 x .031
31	138164	* Lockwasher #8	66	SP6499	Owners Manual - English
32	827925	Bolt Carriage 1/2-13 x 1-1/2	67	SP6499S	Owners Manual - Spanish
33	827873	Nut Push 1/2	68	SP6499F	Owners Manual - French
34	827921	Washer Flat Nylon			
35	827548	Wrench Arbor			

* Standard Hardware Item - May be purchased locally

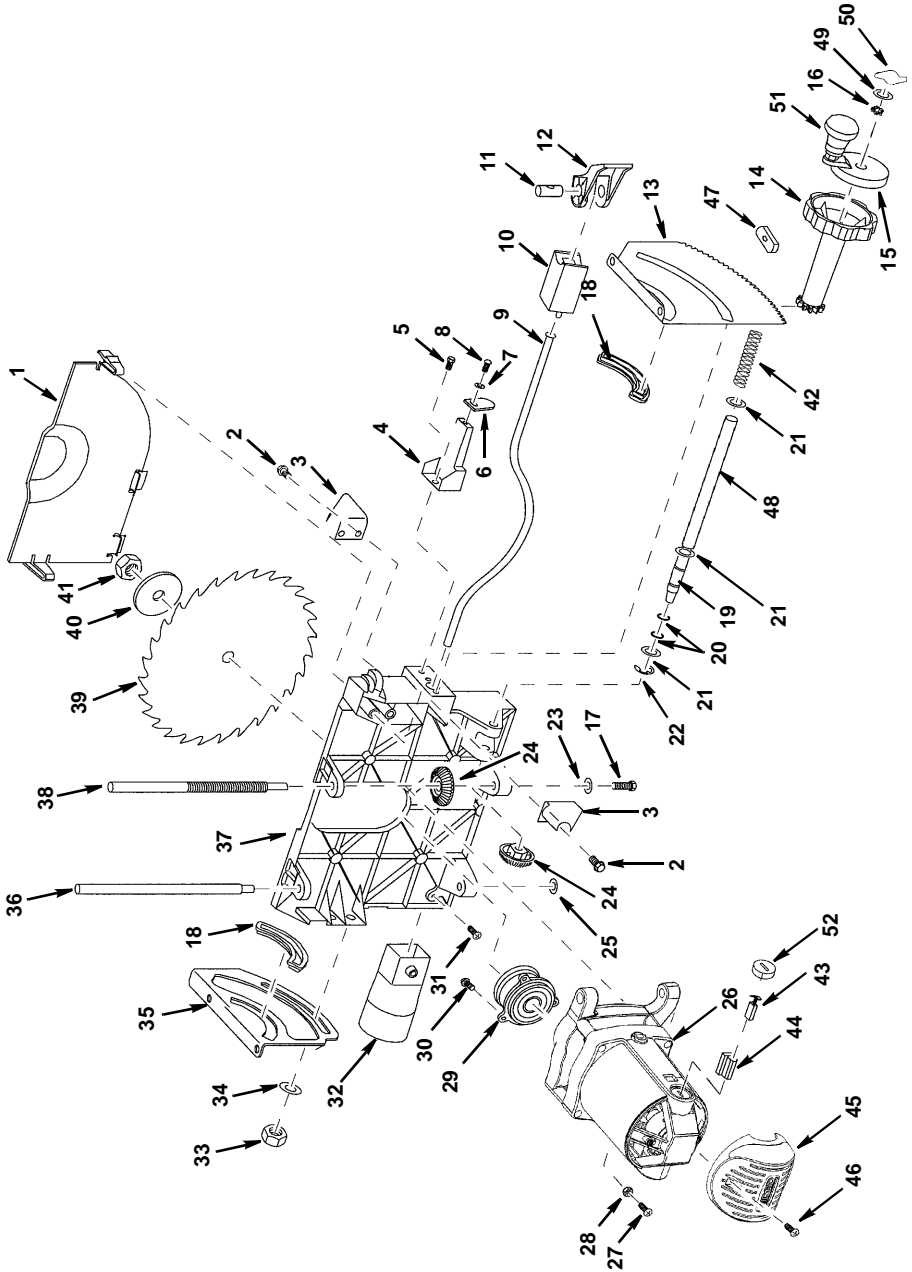
† These parts are available where you purchased your saw.

Repair Parts

Parts list for RIDGID 10 Inch Table Saw Model No. TS24001

RIDGID parts are available on-line at www.ridgidparts.com

Figure 2



Repair Parts

Parts List for RIDGID 10 Inch Table Saw Model TS24001

RIDGID parts are available on-line at www.ridgidparts.com

Figure 2

Always Order by Part Number - not by Key Number

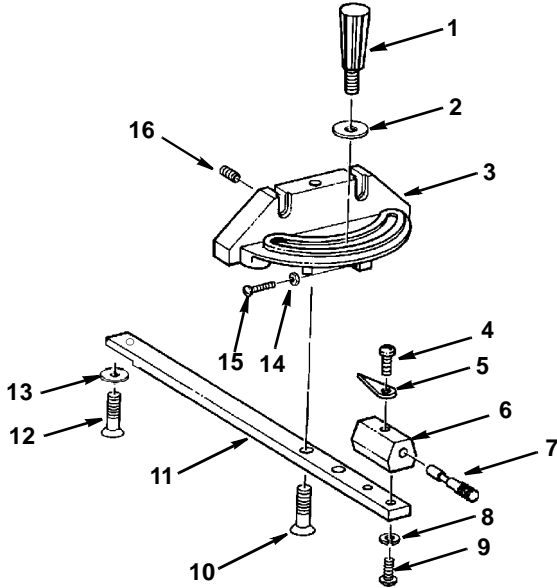
Key No.	Part No.	Description	Key No.	Part No.	Description
1	827483	Cover Blade	27	827863	Screw Set Nylon
2	370625	* Screw Hex Wash Hd 1/4-20 x 1/2	28	827864	Nut Hex Nylon 10-32
3	827619	Plate Bevel Stop	29	830412	Arbor Asm
4	827540	Support Bevel Indicator	30	9420474	* Screw Hex Ty T 10/32 x 1/2
5	141594-46	* Screw Soc Cap 1/4-20 x 5/8	31	808380-17	* Screw Pan Hd #10 x 3/4
6	824334-1	Indicator	32	827476	Chute Sawdust
7	805550-5	* Washer 7/32 x 5/8 x 1/16	33	60249	* Nut Lock 3/8-16
8	808380-17	* Screw Pan Hd #10 x 3/4	34	60014	* Washer .380 x 47/64 x 3/32
9	827459	Bar Locking	35	827520	Mount Rear
10	827862	Clamp Asm Bevel	36	827531	Shaft Guide
11	827522	Pivot Bevel Lock	37	830380	Cradle
12	827500	Handle Bevel Lock	38	827529	Shaft Elevation
13	827519	Mount Front	39	830394	Blade 10" 24T Carb.
14	830390	Knob Asm Bevel	40	827465	Collar Blade
15	830391	Handle Asm Elevation	41	6362	Nut Arbor
16	37937	* Washer 17/64 x 5/8 x 1/32	42	830386	Spring
17	809372-7	* Screw Pan Hd 10-32 x 5/8	43	816768	Brush
18	827467	Bushing Trunnion	44	826017	Holder Brush
19	829971-9	Shaft Elevation Crank (Includes "O" Rings)	45	828064	Cover Motor Rear
20	821421-11	Ring "O" 3/8 x 1/16	46	828122-1	Screw Wash Hd Cr M4-10
21	805561-4	Washer .505 x 3/16 x 1/32	47	809398	Nut Weld
22	805641-4	Ring Retaining 5133-50	48	830385	Spacer Elev Lock
23	60136	* Washer 13/64 x 5/8 x 1/32	49	60415	Washer Spring
24	827496	Gear Elevation	50	830393	Knob Elevation Lock
25	802612-8	Nut Push 3/8	51	830392	Knob Swivel
26	830381	Motor Asm	52	830250	Cover, Brush

* Standard Hardware Item - May be purchased locally

**Parts List for RIDGID 10 Inch Table Saw
Model No. TS24001**

RIDGID parts are available on-line at www.ridgidparts.com

Figure 3 - Miter Gauge Assembly



Always Order by Part Number - Not by Key Number

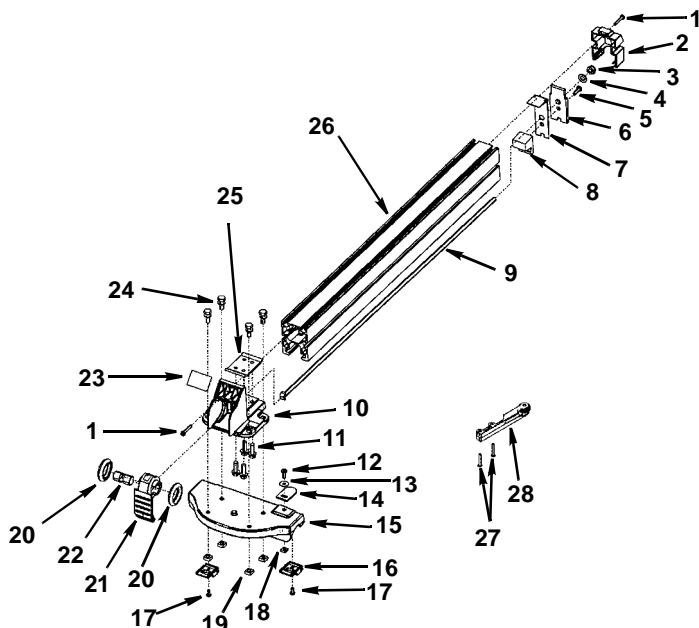
Key No.	Part No.	Description
-	830338	Miter Gauge Asm. Complete
1	826506-1	Knob
2	821063-5	* Washer 8 x 23 x 1.8
3	826663	Gauge, Miter
4	824723-1	* Screw, Pan Hd. 8/32 x 5/16
5	123069-1	Indicator
6	830351	Block, Miter Gauge Indicator
7	830352	Pin, Miter
8	140755-15	* Lockwasher #8
9	824723	* Screw, Pan Hd 8-32 x 5/8
10	818470-4	Screw Flat Hd. M6 x 1.0-16
11	830350	Rod, Miter Gauge
12	830354	Screw, Flat Head
13	830353	Washer, "T" Slot
14	134530	* Nut Hex 6-32
15	809813-4	Screw Pan Hd. 6-32 x 5/8
16	818471-6	Screw, Set 5 x 0.8-5

* Standard Hardware Item - May be purchased locally

Parts List for RIDGID 10 Inch Table Saw Model No. TS24001

RIDGID parts are available on-line at www.ridgidparts.com

Figure 4 - Fence Assembly



Always Order by Part Number - not by Key Number

Key No.	Part No.	Description	Key No.	Part No.	Description
-	830421	Fence Complete	17	809169-3	* Screw Pan Hd. Ty "T" 8-32 x 3/8
1	809492-5	Screw Pan Hd. Ty "T" 8-32x1	18	822138-1	* Nut Sq 10-32
2	824350-1	Cap Channel Rear	19	62636	* Nut Sq 1/4-20
3	820129	* Nut Lock 5/16-18	20	824326	Bearing Ball Angular Contact
4	274865	* Washer 21/64 x 5/8 x 1/16	21	830425	Lever Cam Fence
5	9416390	* Screw Pan Hd. Ty "T" 10-32 x 5/8	22	824329	Pin Cam
6	824328-1	Plate Lock	23	827876	Label RIDGID
7	824332	Spring Lock	24	828173	* Screw Hex Washer Hd. 1/4-20 x 3/4
8	824349-1	Slide Rear Fence	25	824330-1	Plate Fence Channel
9	824342-1	Rod Fence Lock	26	829971-10	Channel Fence
10	827507	Housing Rip Fence	27	806752-2	Screw Pan Hd Ty "T" 10-32 x 1-1/4
11	9422329	* Scr Hex Hd TY "T" 1/4-20 x 3/4	28	829706	Micro Adjust Asm
12	809372-3	* Screw Pan 10-32 x 1/2	Hardware for Attaching Wood Facing		
13	60136	* Washer 13/64 x 5/8 x 1/32	159653-3	Bolt Sq. Hd. 1/4-20 x 3/4	
14	830281	Indicator	805552	* Washer 17/64 x 5/8 x 1/16	
15	830426	Head Rip Fence	115120	* Nut Hex 1/4-20	
16	827532	Slide Fence Head			

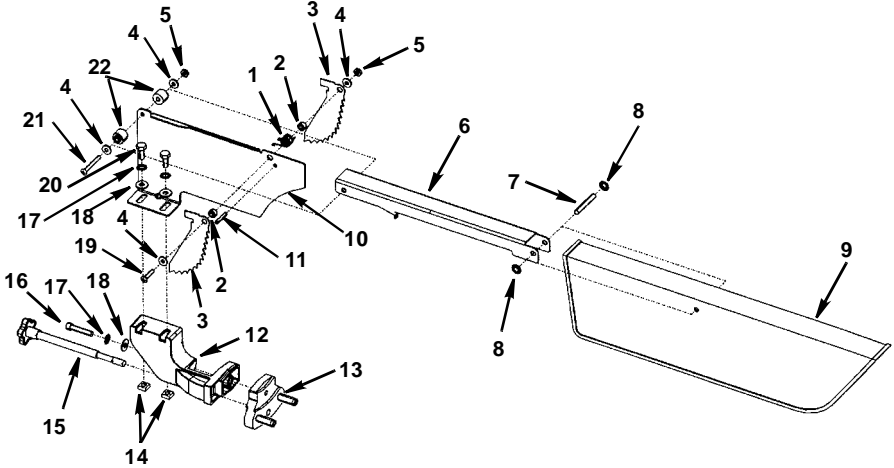
* Standard Hardware Item - May be purchased locally

Repair Parts

Parts List for RIDGID 10 Inch Table Saw Model No. TS24001

RIDGID parts are available on-line at www.ridgidparts.com

Figure 5 - Guard Assembly



Always Order by Part Number - not by Key Number

Key No.	Part No.	Description	Key No.	Part No.	Description
-	827499	Guard Complete	11	803422-163	Pin, Roll 3/16 x 15/16
1	62519	Spring, Pawl	12	827541	Support Spreader
2	827646	Spacer, Pawl	13	827877	Mount Spreader
3	827648-1	Pawl	14	62636	Nut Square 1/4-20
4	805549	* Washer, 13/64 x 9/16 x 1/32	15	827511	Knob Guard
5	60012	Nut Lock 10-32	16	805461-7	Screw Hex Hd 1/4-20 x 1
6	827649-1	Support, Guard	17	114604	* Lockwasher Ext 1/4
7	62390	Pin Guard 1/4 x 1-3/4	18	37937	* Washer 17/64 x 5/8 x 1/32
8	802612	Nut Push 1/4	19	806214-3	Screw Soc Cap 10-32 x 7/8
9	826466	Guard w/Label	20	179793	* Screw Hex Hd 1/4-20 x 5/8
10	827536	Spreader Blade	21	806214-4	Screw Soc Cap 10-32x1-1/2
			22	827647	Spacer Support

* Standard Hardware Item - May be purchased locally