

RYOBI COMPOUND MITER SAW - MODEL NUMBER TS230

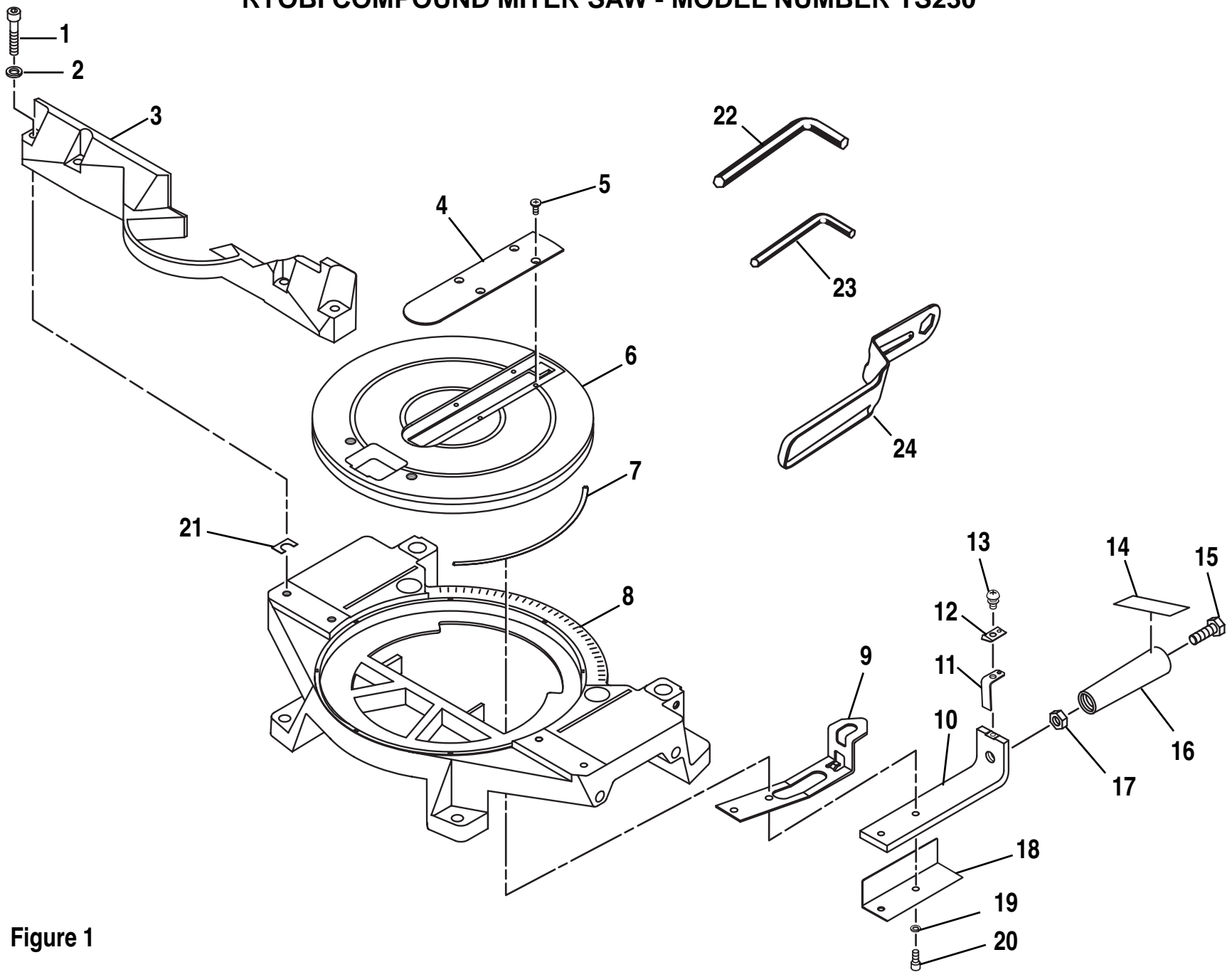


Figure 1

RYOBI COMPOUND MITER SAW - MODEL NUMBER TS230

The model number will be found on a plate attached to the motor housing. Always mention the model number in all correspondence regarding your **RYOBI COMPOUND MITER SAW** or when ordering repair parts.

PARTS LIST FOR FIGURE 1

KEY NO.	PART NUMBER	DESCRIPTION	QUAN.	KEY NO.	PART NUMBER	DESCRIPTION	QUAN.
1	710308-045	BOLT (M8 X 45 SOC. HD.)	4	16	976721-001	MITER LOCK HANDLE ASSEMBLY (INCLUDES KEY NOS. 14, 15, & 17)	1
2	360308-142	LOCK WASHER (M8)	4	17	976726-001	HEX NUT	1
3	589002-008	FENCE	1	18	589030-001	BLADE GUARD	1
4	589027-008	ZERO CLEARANCE THROAT PLATE	1	19	360306-121	LOCK WASHER	2
5	160030-400	SCREW	4	20	700306-025	HEX BOLT	2
6	589001-109	MITER TABLE	1	21	588065-003	FENCE SQUARE WASHER	6
7	588056-004	SHIM	4	22	791080-000	8 MM HEX KEY (ALLEN WRENCH)	1
8		MITER TABLE FRAME 588054002	1	23	791050-000	5 MM HEX KEY (ALLEN WRENCH)	1
9	589017-003	MITER LOCK PLATE	1	24	588082-005	BLADE WRENCH	1
10	589016-007	CONTROL ARM	1	25	976742-001	*** OPTIONAL WORK CLAMP (NOT SHOWN) ..	1
11	588061-009	FIXED PLATE	1	26	976743-001	*** OPTIONAL STOP BLOCK (NOT SHOWN)	1
12	588060-003	POINTER	1	27	976744-001	*** OPTIONAL EXTENSION SET (NOT SHOWN)	1
13	140030-500	SCREW (M5 X 8)	1	28	6073433	*** OPTIONAL DUST BAG (NOT SHOWN)	1
14	976723-001	INSTRUCTION LABEL	1				
15	976725-001	HEX BOLT	1				

*** AVAILABLE AT YOUR NEAREST SEARS CATALOG ORDER OR RETAIL STORE

RYOBI COMPOUND MITER SAW - MODEL NUMBER TS230

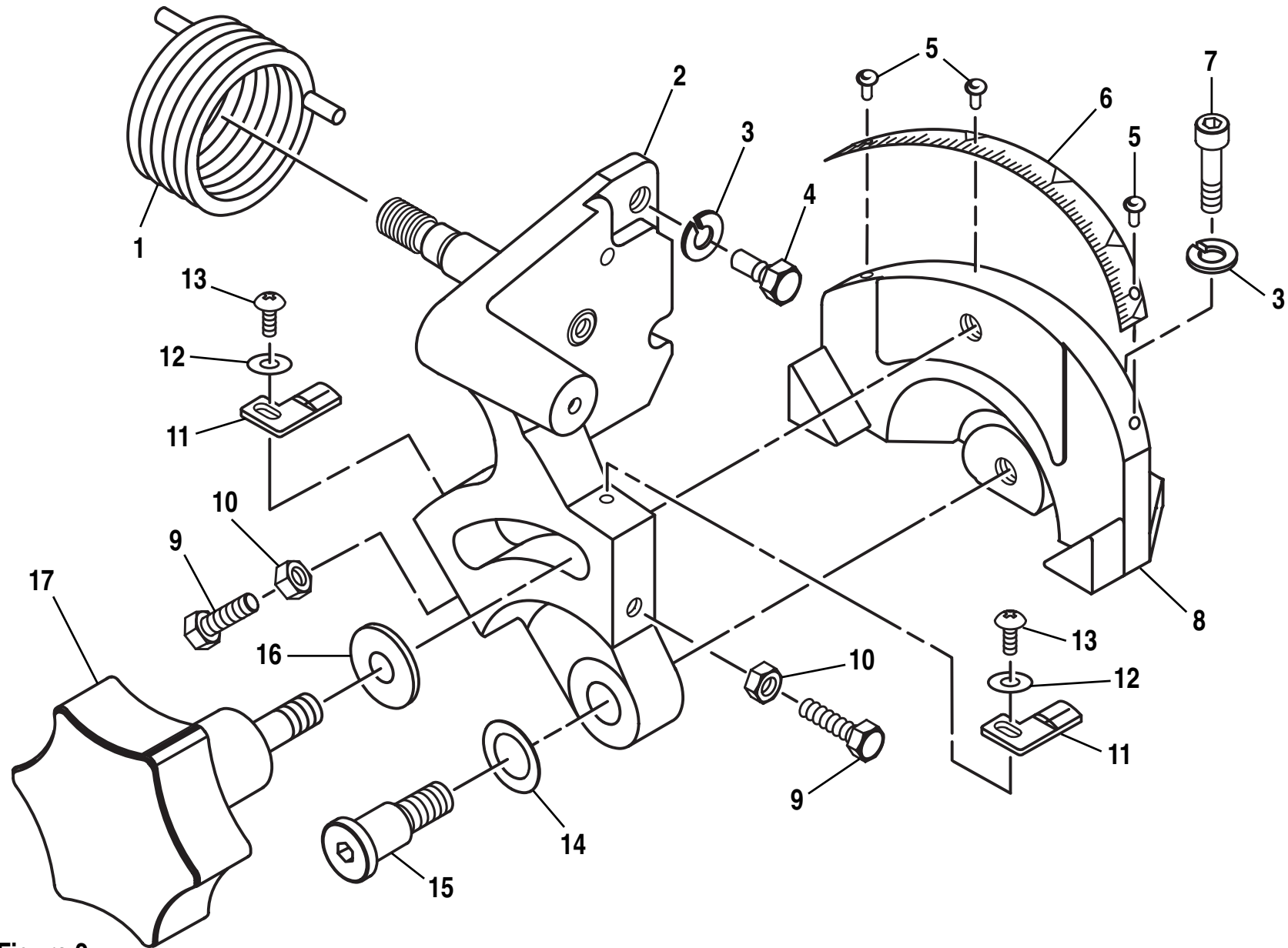


Figure 2

RYOBI COMPOUND MITER SAW - MODEL NUMBER TS230

The model number will be found on a plate attached to the motor housing. Always mention the model number in all correspondence regarding your **COMPOUND MITER SAW** or when ordering repair parts.

PARTS LIST FOR FIGURE 2

KEY NO.	PART NUMBER	DESCRIPTION	QUAN.	KEY NO.	PART NUMBER	DESCRIPTION	QUAN.
1	588049-007	TORSION SPRING	1	10	305030-060	HEX NUT	2
2	976932-001	SUPPORT BRACKET	1	11	589014-005	BEVEL INDEX POINTER	2
3	360310-182	LOCK WASHER	3	12	350304-100	WASHER	2
4	588058-006	BOLT	1	13	130010-401	SCREW	2
5	976729-001	RIVET	3	14	589011-007	WASHER	1
6	976730-001	BEVEL SCALE	1	15	589010-001	PIVOT SHAFT	1
7	700310-025	BOLT (M10 X 25 HEX HD.)	2	16	350310-251	WASHER (M10)	1
8	976727-001	BEVEL PIVOT BRACKET ASSEMBLY (INCLUDES KEY NOS. 6 & 7)	1	17	589012-100	BEVEL LOCK KNOB	1
9	100306-016	HEX BOLT	2				

RYOBI COMPOUND MITER SAW - MODEL NUMBER TS230

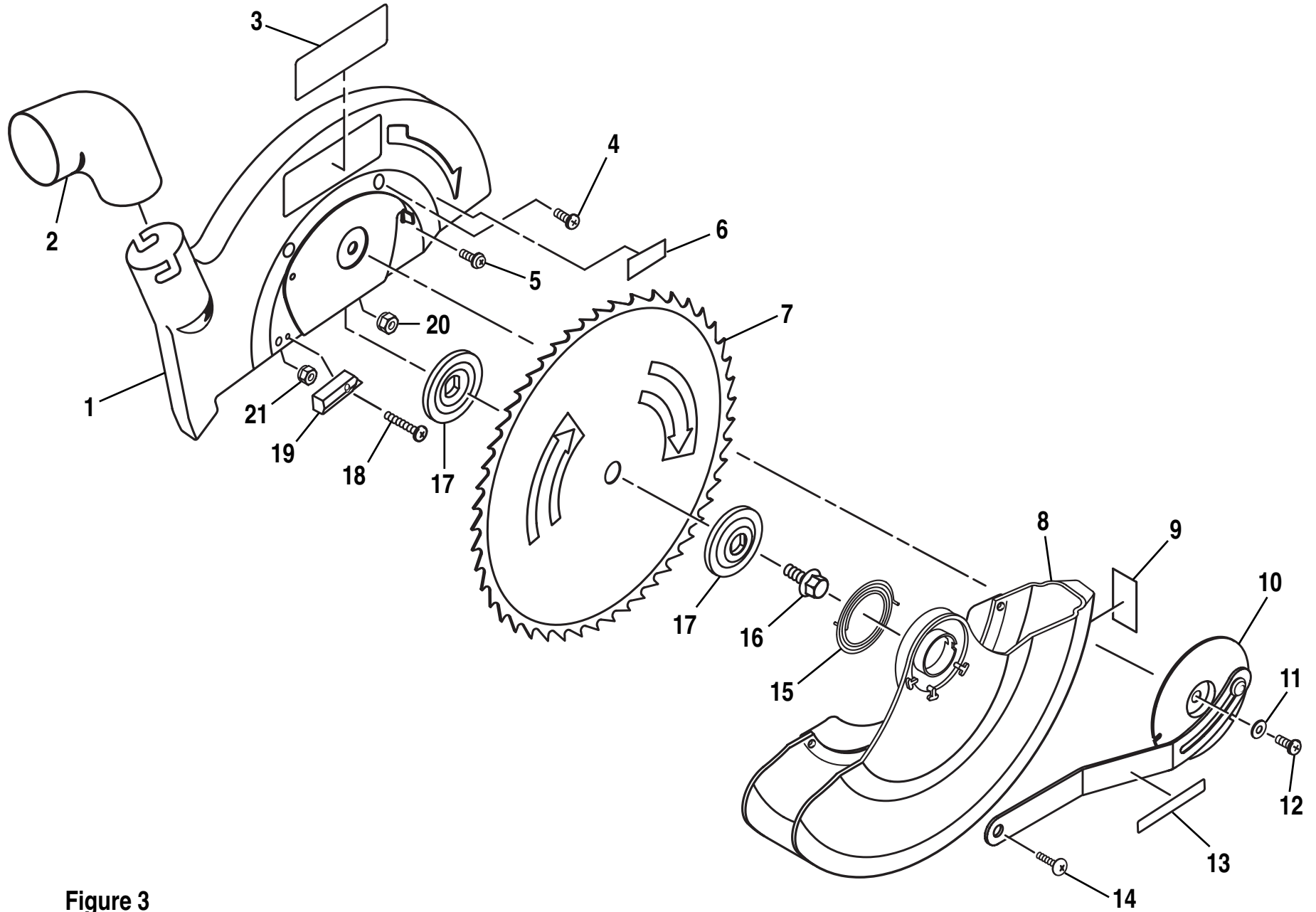


Figure 3

RYOBI COMPOUND MITER SAW - MODEL NUMBER TS230

The model number will be found on a plate attached to the motor housing. Always mention the model number in all correspondence regarding your **COMPOUND MITER SAW** or when ordering repair parts.

PARTS LIST FOR FIGURE 3

KEY NO.	PART NUMBER	DESCRIPTION	QUAN.	KEY NO.	PART NUMBER	DESCRIPTION	QUAN.
1	976731-001	UPPER BLADE GUARD ASSEMBLY (INCLUDES KEY NO. 6)	1	11	350105-131	WASHER (M5)	1
2	588081-009	DUST GUIDE	1	12	130030-501	SCREW (M5 X 10)	1
3	588068-001	LOGO PLATE	1	13	976740-001	LABEL	1
4	100030-501	SCREW (M5 X 12)	4	14	589015-001	SCREW	1
5	190010-401	PHILLIPS SCREW	1	15	589021-002	RETURN SPRING	1
6	976733-001	LOWER BLADE GUARD LABEL	1	16	588037-000	BLADE BOLT (M8 X 20)	1
7	***	SAW BLADE	1	17	588035-008	BLADE WASHER	2
8	976735-001	LOWER BLADE GUARD ASSEMBLY (INCLUDES KEY NO. 9)	1	18	130030-401	SCREW (M4 X 15)	1
9	976737-001	DANGER LABEL	1	19	589031-007	STOPPER	1
10	976739-001	BLADE GUARD BRACKET ASSEMBLY (INCLUDES KEY NO. 13)	1	20	588048-001	LOCK NUT	1
				21	317030-040	LOCK NUT	1

*** COMPLETE ASSORTMENT AVAILABLE AT YOUR LOCAL RYOBI DEALER.

RYOBI COMPOUND MITER SAW - MODEL NUMBER TS230

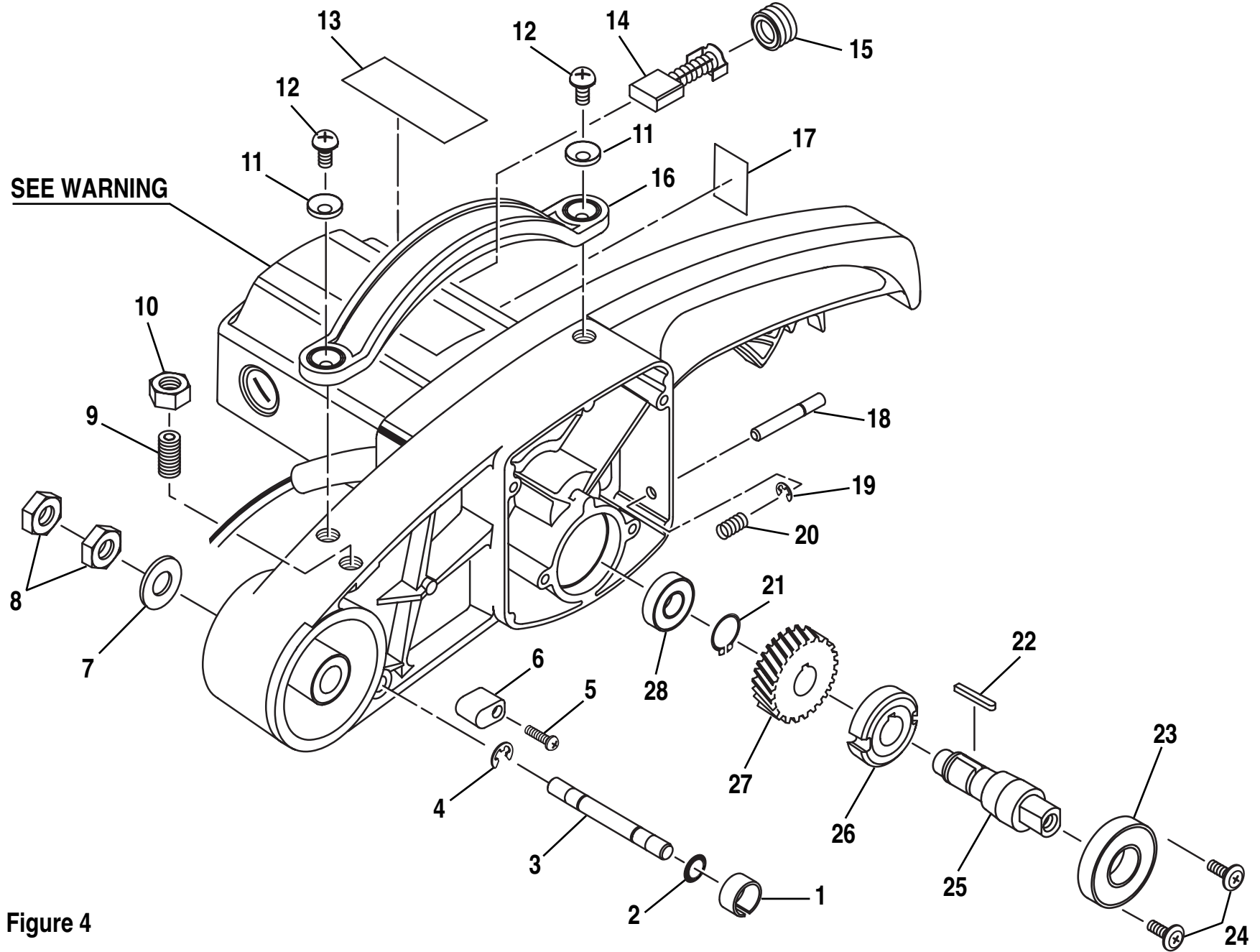


Figure 4

RYOBI COMPOUND MITER SAW - MODEL NUMBER TS230

The model number will be found on a plate attached to the motor housing. Always mention the model number in all correspondence regarding your **CRAFTSMAN COMPOUND MITER SAW** or when ordering repair parts.

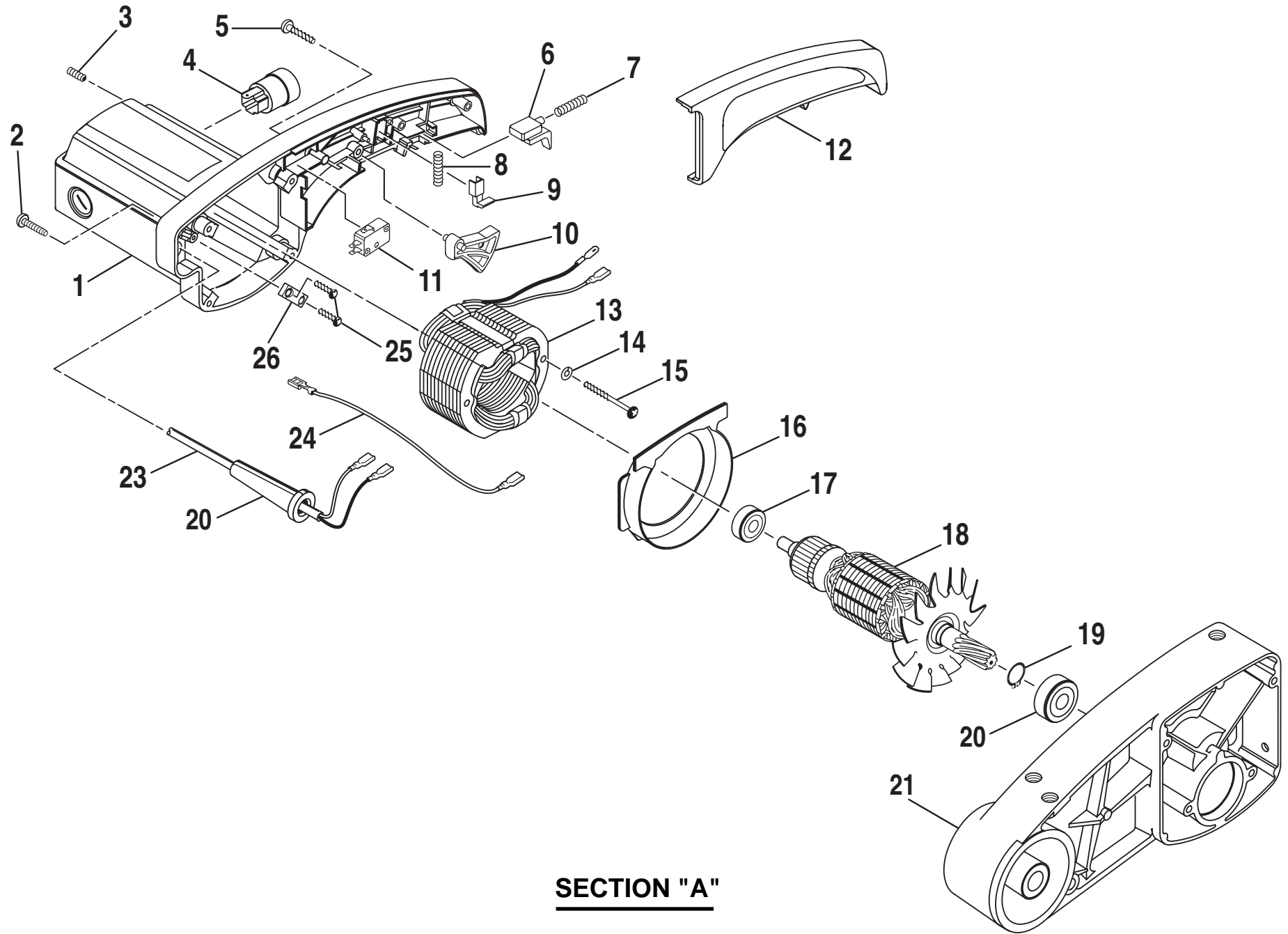
PARTS LIST FOR FIGURE 4

KEY NO.	PART NUMBER	DESCRIPTION	QUAN.	KEY NO.	PART NUMBER	DESCRIPTION	QUAN.
1	588023-001	LOCK PIN CAP	1	15	588005-003	BRUSH CAP	2
2	630000-000	"O" RING	1	16	588024-007	CARRYING HANDLE	1
3	588022-102	LOCK PIN	1	17	588069-007	WARNING LABEL	1
4	470000-600	E-RING	1	18	588026-009	SPINDLE LOCK PIN	1
5	800030-401	SCREW (M4 X 16)	1	19	470000-400	E-RING	1
6	588021-009	RUBBER BUMPER	1	20	588027-005	COMPRESSION SPRING	1
7	350312-260	FLAT WASHER (M12)	1	21	460001-000	EXTERNAL RETAINING RING	1
8	300030-121	HEX NUT (M12)	2	22	452040-401	SQUARE KEY (4 X 4 X 28)	1
9	180031-002	DEPTH STOP ADJUSTMENT SCREW (M10 X 20)	1	23	098460040	BALL BEARING (6004ZZ)	1
10	300030-100	HEX NUT (M10)	1	24	588031-004	SCREW (SPECIAL)	2
11	588025-003	HANDLE WASHER	2	25	588030-008	GEAR SHAFT	1
12	170030-601	SCREW	2	26	588029-007	LOCK RING	1
13	589031-007	DATA PLATE	1	27	588028-001	GEAR	1
14	588006-009	BRUSH ASSEMBLY	2	28	989377-002	BALL BEARING (6000LLB)	1

WARNING:

Improper repair of a double insulated tool can result in damages to the double insulation system possibly causing electrical shock or electrocution. Any repairs requiring disassembly of your tool requires safety testing and should only be performed by a Ryobi factory service center. For the repair center nearest you call 1-800-525-2579 in the United States or 1-800-265-6778 in Canada.

RYOBI COMPOUND MITER SAW - MODEL NUMBER TS230



SECTION "A"

RYOBI COMPOUND MITER SAW - MODEL NUMBER TS230

The model number will be found on a plate attached to the motor housing. Always mention the model number in all correspondence regarding your **CRAFTSMAN COMPOUND MITER SAW** or when ordering repair parts.

PARTS LIST FOR SECTION "A"

KEY NO.	PART NUMBER	DESCRIPTION	QUAN.	KEY NO.	PART NUMBER	DESCRIPTION	QUAN.
1	588002-005	MOTOR HOUSING	1	15	901010-506	SCREW (M5 X 60)	2
2	800130-502	SCREW	4	16	588017-000	FAN CASING	1
3	180030-501	CLAMP SCREW (M5 X 10)	2	17	976873-001	BALL BEARING	1
4	588007-005	BRUSH TUBE	2	18	976794-001	ARMATURE ASSEMBLY (INCLUDES KEY NOS. 17, 19 & 20).	1
5	900030-402	SCREW (M4 X 25)	3	19	976874-001	RETAINING RING	1
6	588013-103	LOCK-OFF LEVER	1	20	976875-001	BALL BEARING	1
7	588014-002	COMPRESSION SPRING	1	21	588020-100	FRAME ARM	1
8	588018-006	SWITCH SPRING	1	22	588004-007	BEND RELIEF	1
9	588015-008	SWITCH HOLDER	1	23	588003-001	POWER CORD	1
10	588012-000	TRIGGER	1	24	588011-004	CONNECT WIRE	1
11	588010-008	SWITCH	1	25	900030-401	SCREW (M4 X 12)	2
12	588016-004	HANDLE COVER (L)	1	26	200023-008	CORD CLAMP	1
13	976795-001	FIELD	1		972000-375	OWNER'S MANUAL	
14	360306-121	SPRING WASHER	2		1-98		

WARNING:

Improper repair of a double insulated tool can result in damages to the double insulation system possibly causing electrical shock or electrocution. Any repairs requiring disassembly of your tool requires safety testing and should only be performed by a Ryobi factory service center. For the repair center nearest you call 1-800-525-2579 in the United States or 1-800-265-6778 in Canada.