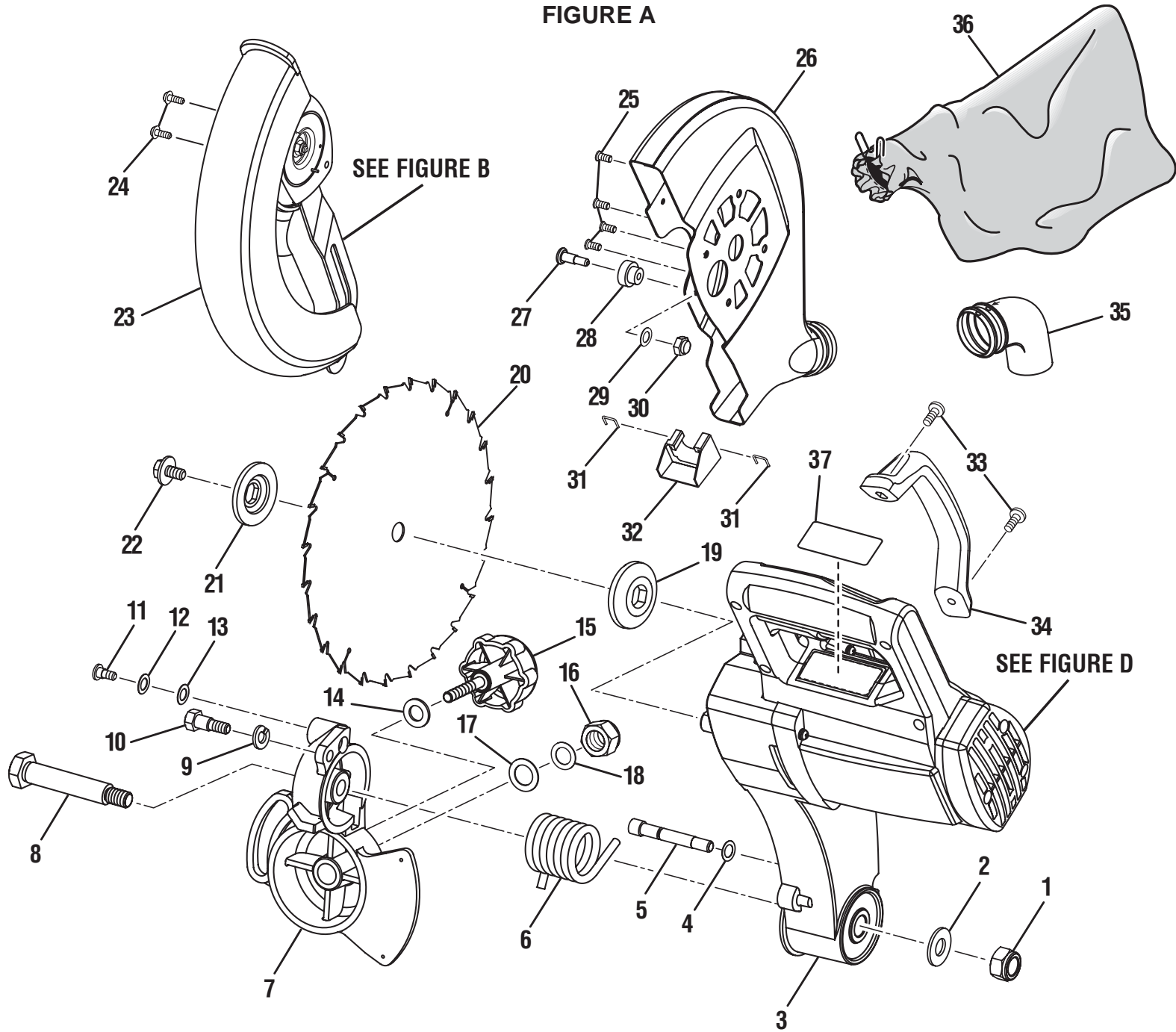


RYOBI 10 in. (254 mm) COMPOUND MITER SAW – MODEL NO. TS1350

FIGURE A



RYOBI 10 in. (254 mm) COMPOUND MITER SAW – MODEL NO. TS1350

The model number will be found on a plate attached to the motor housing. Always mention the model number in all correspondence regarding your **Miter Saw** or when ordering repair parts.

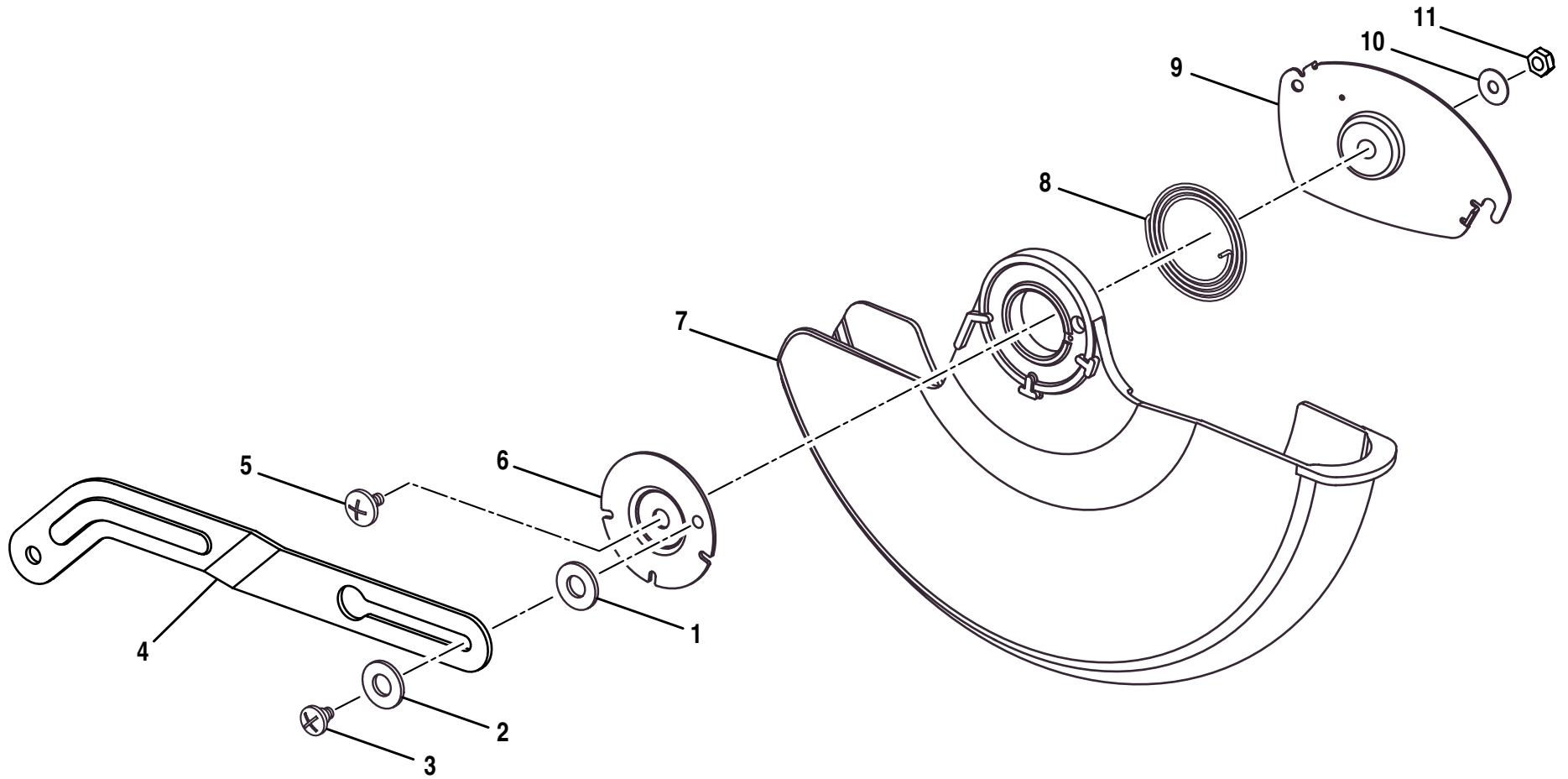
PARTS LIST FOR FIGURE A

Key No.	Part Number	Description	Quan.	Key No.	Part Number	Description	Quan.
1	022300-001	Nylon Lock Nut	1	20	350056-000	Blade	1
2	021123-001	Washer	1	21	270373-000	Outer Blade Flange	1
3	See Fig. D	Motor Assembly	1	22	020300-011	Blade Bolt	1
4	025100-001	O-Ring	1	23	900756000	Lower Blade Guard Assembly	1
5	026308-000	Pin	1	24	089100100133	* Screw (#10-32 x 5/16 in. Pan Hd.)	2
6	029226000	Torsion Spring	1	25	020704-002	Screw	4
7	900750-000	Pivot	1	26	270498-000	Upper Blade Guard	1
8	028960-000	Arm Pivot Shaft	1	27	028921-003	* Special Screw (#10-32 x 20L)	1
9	983078-001	Lock Washer	1	28	330027-000	Rubber Sleeve	1
10	020145-001	Bevel Pivot Shaft	1	29	983080-001	Flat Washer	1
11	020113-008	* Special Screw (M6 x 10L)	1	30	022307-001	Nylon Lock Nut	1
12	021403-007	* Wavy Washer (M7.5 x 16 x 0.8T)	1	31	029719-001	* Spring	2
13	983079-001	Flat Washer	1	32	330055-000	Dust Shute	1
14	021109-001	Washer	1	33	020102-005	Screw	2
15	900751-000	Bevel Knob	1	34	303434-000	Handle	1
16	022300-001	Nylon Lock Nut	1	35	330019-000	Dust Guide	1
17	021117-003	Washer	1	36	900324-006	Dust Bag	1
18	021611-000	Wavy Washer	1	37	871050000	Data Plate	1
19	270511-000	Inner Blade Flange	1				

* STANDARD HARDWARE ITEM — MAY BE PURCHASED LOCALLY

WARNING: Improper repair of a double insulated tool can result in damages to the double insulation system possibly causing electrical shock or electrocution. Any repairs requiring disassembly of your tool requires safety testing and should only be performed by a Ryobi Authorized Service Center. For the service center nearest you call 1-800-525-2579 in the United States or 1-866-897-9624 in Canada.

FIGURE B



RYOBI 10 in. (254 mm) COMPOUND MITER SAW – MODEL NO. TS1350

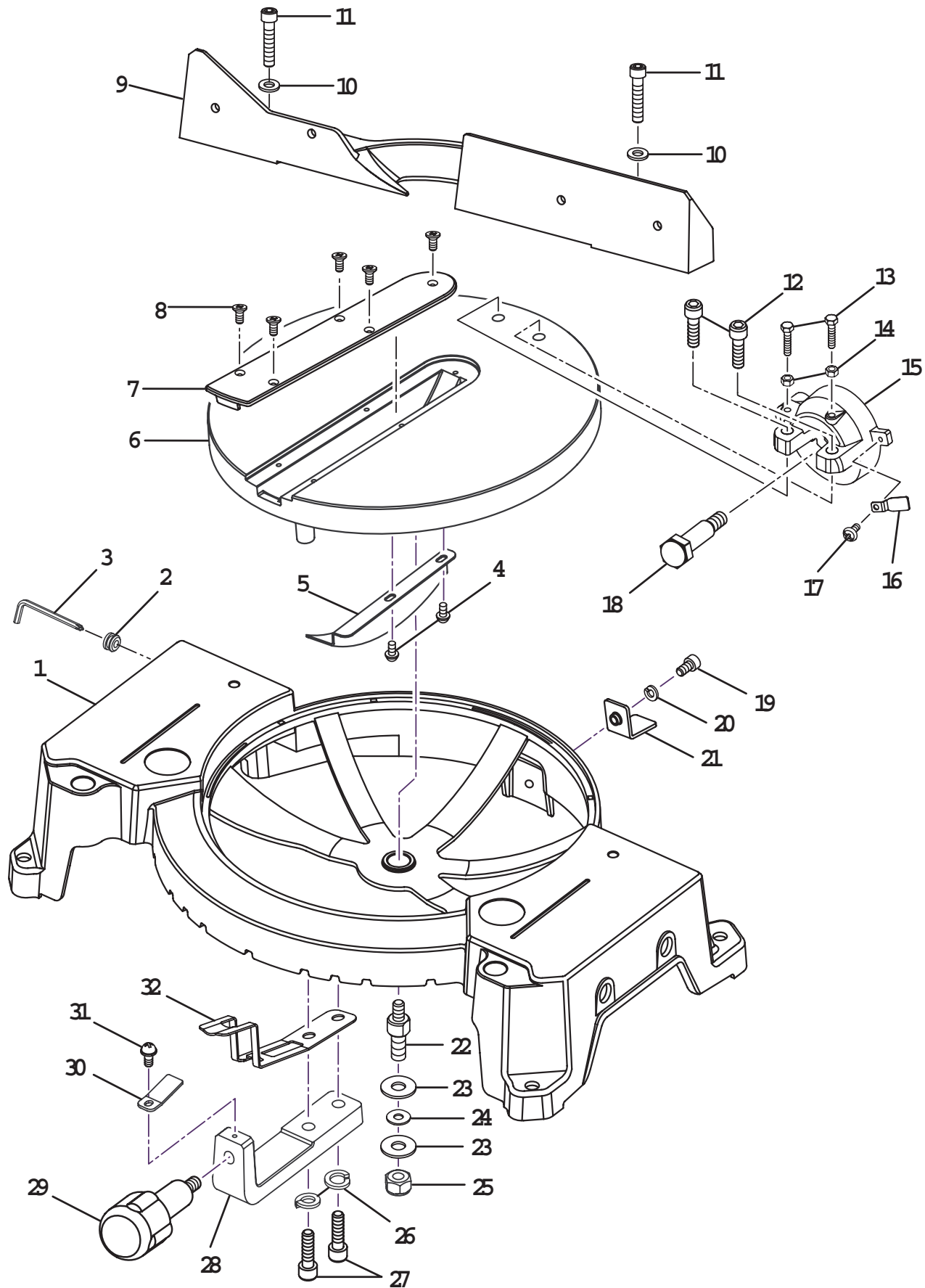
The model number will be found on a plate attached to the motor housing. Always mention the model number in all correspondence regarding your **Miter Saw** or when ordering repair parts.

PARTS LIST FOR FIGURE B

Key No.	Part Number	Description	Quan.
1	021119-002	* Flat Washer (M5.5 x 16 x 0.8T)	1
2	021103-014	* Flat Washer (M7.5 x 16 x 1.5T)	1
3	028931-002	* Screw (M5 x 0.8T)	1
4	270502-000	Blade Guard Bracket	1
5	028939-004	* Screw (#10-32 Pan Hd.)	1
6	270376-002	Lower Blade Guard Retainer	1
7	303449-000	Lower Blade Guard	1
8	029301-003	Return Spring	1
9	270184-006	Blade Bolt Cover	1
10	021108-006	* Flat Washer (#13/64 x 15/32 x 0.5T)	1
11	022307-001	* Nylon Lock Nut (#10-32)	1
	972000-924	Owner's Manual	
	04-17-08		
	(REV:02)		

* STANDARD HARDWARE ITEM — MAY BE PURCHASED LOCALLY

FIGURE C



RYOBI 10 in. (254 mm) COMPOUND MITER SAW – MODEL NO. TS1350

The model number will be found on a plate attached to the motor housing. Always mention the model number in all correspondence regarding your **Miter Saw** or when ordering repair parts.

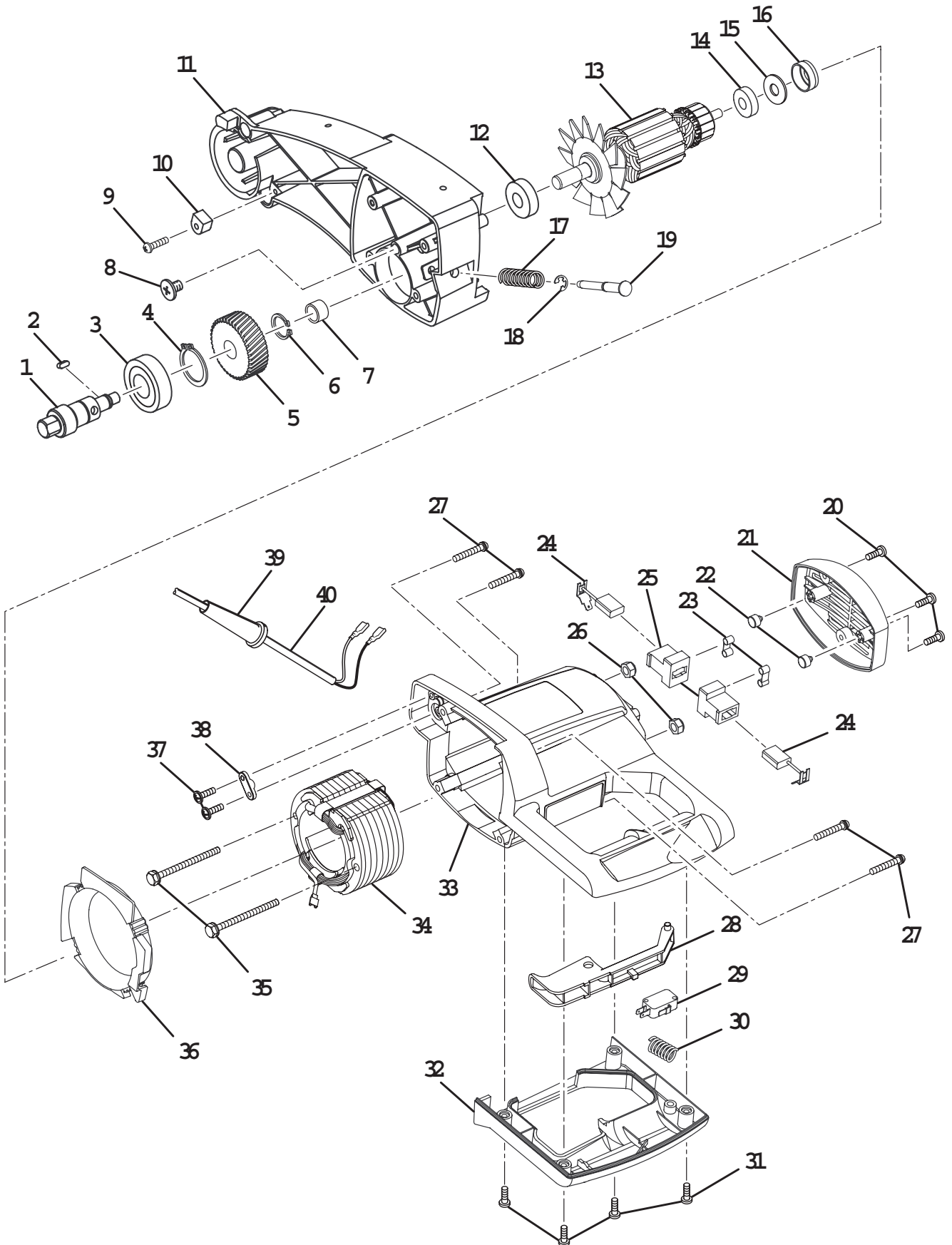
PARTS LIST FOR FIGURE C

Key No.	Part Number	Description	Quan.
1	225194-000	Miter Table Frame	1
2	983134-001	Rubber Grommet	1
3	40027000	Blade Wrench (6 mm)	1
4	020726-003	* Screw (M4 x 0.7 x 8L)	2
5	270499-000	Guard	1
6	225195-000	Miter Table	1
7	303413-000	Zero Clearance Throat Plate	1
8	020804-000	Screw	5
9	225193-000	Miter Fence	1
10	021120-003	* Flat Washer (M8 x 16 x 1.2T)	2
11	020606-009	* Bolt (5/16-18 x 1-1/2 in. Soc. Hd.)	2
12	020733-001	Socket Head Bolt	2
13	020301-009	Hex Bolt	2
14	022111-001	Hex Nut	2
15	225196-000	Support Bracket	1
16	303452-000	Bevel Scale Indicator	1
17	020716-003	Screw	1
18	028962-000	Bevel Pivot Shaft	1
19	983136-001	Socket Head Bolt	1
20	983137-001	Lock Washer	1
21	983138-001	Tilt Bracket	1
22	028961-000	Table Spindle	1
23	021109-011	Flat Washer	2
24	021403-001	Wavy Washer	1
25	022308-000	Nylon Lock Nut	1
26	021204-003	Lock Washer	2
27	020602011	Socket Head Bolt	2
28	240054-000	Control Arm	1
29	303437-000	Miter Lock Handle	1
30	303430-000	Miter Scale Indicator	1
31	020726-003	Screw	1
32	270500-000	Miter Lock Plate	1
	900749000	Base/Table Assembly	1

* STANDARD HARDWARE ITEM — MAY BE PURCHASED LOCALLY

RYOBI 10 in. (254 mm) COMPOUND MITER SAW – MODEL NO. TS1350

FIGURE D



RYOBI 10 in. (254 mm) COMPOUND MITER SAW – MODEL NO. TS1350

The model number will be found on a plate attached to the motor housing. Always mention the model number in all correspondence regarding your **Miter Saw** or when ordering repair parts.

PARTS LIST FOR FIGURE D

Key No.	Part Number	Description	Quan.
1	131046-000	Arbor Shaft	1
2	027201-002	Key.....	1
3	050031-100	Ball Bearing	1
4	023101-001	Retaining Ring	1
5	110039-000	Gear	1
6	023113-002	Retaining Ring	1
7	052001-000	Needle Bearing	1
8	028930-003	Screw	1
9	020106-009	Screw	1
10	303024-000	Cushion	1
11	225197-000	Gear Housing	1
12	050001-100	Ball Bearing	1
13	160014-001	Armature	1
14	050007-000	Ball Bearing	1
15	021403-001	Wavy Washer	1
16	330052-000	Bearing Retainer	1
17	029151-001	Spring	1
18	023201-001	Retaining Ring	1
19	990113000	Lock Pin	1
20	020132-001	* Screw (M4 x 0.7 x 10L).....	3
21	303432-000	End Cap.....	1
22	303085-000	Brush Holder Cap	2
23	029718-001	Spring	2
24	375014-000	Brush Assembly	2
25	303438-000	Brush Holder	2
26	022301-001	Nylon Lock Nut	2
27	020703-009	Screw with Washer	4
28	303436-000	Switch Actuator	1
29	303288-000	Micro Switch	1
30	029166-001	Spring	1
31	020132-003	Screw	4
32	303431-000	Handle Cover	1
33	303433-000	Motor Housing	1
34	170024-000	Field	1
35	028600-001	Screw with Washer	2
36	303435-000	Baffle	1
37	020132-000	* Screw (M4 x 0.7 x 14L).....	2
38	303006-000	Cord Clamp	1
39	983139-001	Bend Relief	1
40	900527-002	Power Cord.....	1

* STANDARD HARDWARE ITEM — MAY BE PURCHASED LOCALLY