

RYOBI 10 in. COMPOUND MITER SAW – MODEL NUMBER TS1342L

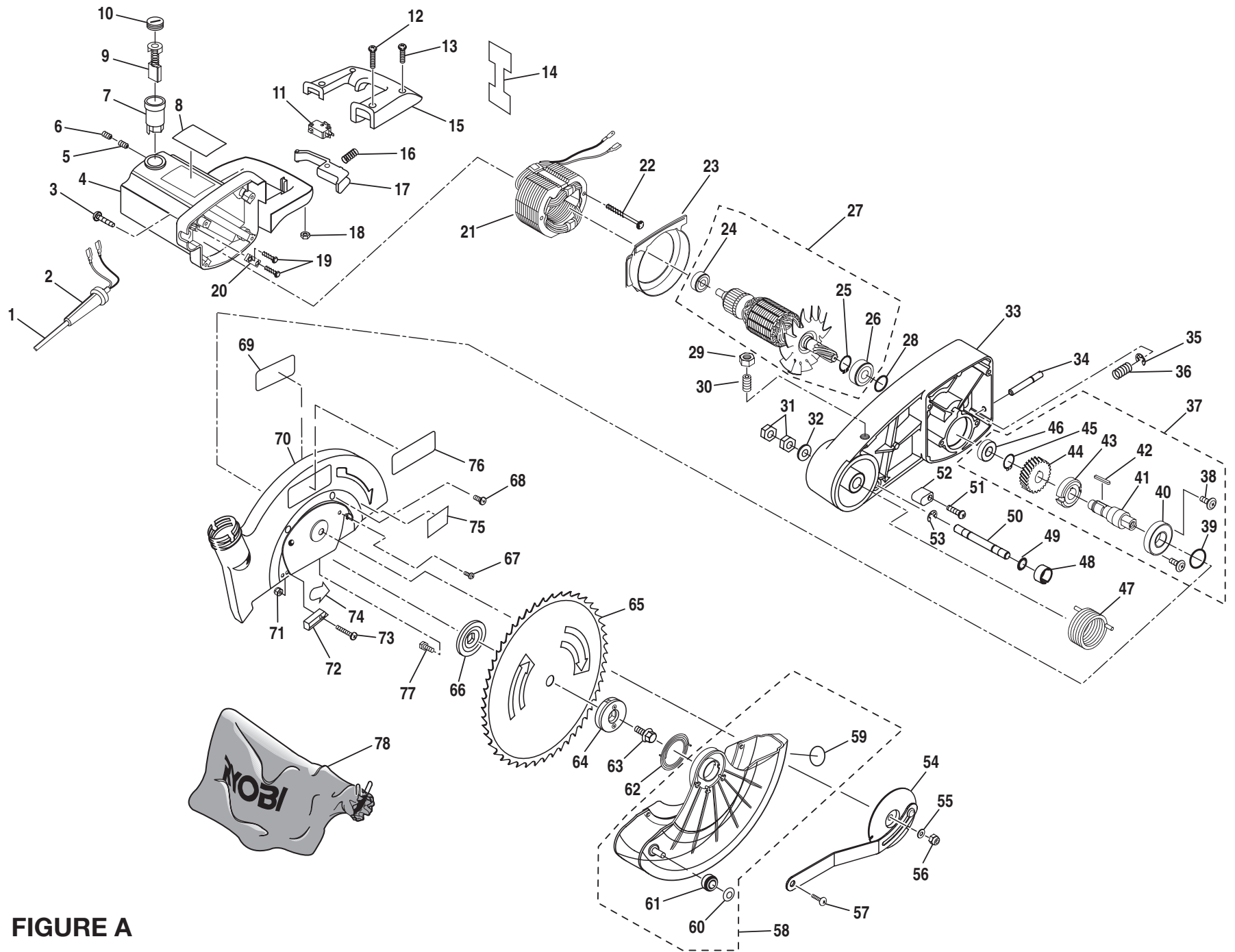


FIGURE A

RYOBI 10 in. COMPOUND MITER SAW – MODEL NUMBER TS1342L

The model number will be found on a label attached to the motor housing. Always mention the model number in all correspondence regarding your **MITER SAW** or when ordering repair parts.

FIGURE A PARTS LIST

KEY NO.	PART NUMBER	DESCRIPTION	QTY.	KEY NO.	PART NUMBER	DESCRIPTION	QTY.
1	089100212007	Power Cord.....	1	42	A45204040180	Parallel Key.....	1
2	588004100	Bend Relief.....	1	43	588029007	Lock Ring.....	1
3	A19003050302	Screw (M5 x 30 mm).....	4	44	089100207062	Gear.....	1
4	580309000	Motor Housing.....	1	45	A46000150008	C-Ring.....	1
5	A18003050054	Fixed Screw (M5 x 5 mm).....	2	46	A50060000027	Ball Bearing (6000ZZ).....	1
6	A95001050060	Fixed Screw (M5 x 6 mm).....	2	47	089100207025	Tension Spring.....	1
7	528312100	Brush Holder.....	2	48	588023001	Stop Pin Cap.....	1
8	089100212903	Warning Label.....	1	49	A63000000051	O-Ring.....	1
9	089100207107	Brush Assembly.....	2	50	089100212008	Stop Pin.....	1
10	528311004	Brush Cap.....	2	51	A90003040167	Screw (M4 x 16 mm, Pan Hd.).....	1
11	580302000	Switch.....	1	52	588021203	Stopper.....	1
12	A10003040307	Screw (M4 x 30 mm, Pan Hd.).....	2	53	A47000060002	E-Clip.....	1
13	A10003040250	Screw (M4 x 25 mm, Pan Hd.).....	2	54	089100207029	Retaining Spring Holder.....	1
14	089100212902	Hang Tag Label (French & Spanish).....	1	55	A35010616105	Washer (M6).....	1
15	580311000	Handle Cover.....	1	56	A31703006004	Lock Nut (M6).....	1
16	511313000	Compression Spring.....	1	57	589015108	Shoulder Screw.....	1
17	580312000	Switch Actuator.....	1	58	089100212704	Lower Blade Guard Assembly (Inc. Key Nos. 59-61).....	1
18	A30003004005	Hex Nut (M4).....	4	59	089100207097	No Hands Warning Label.....	1
19	A90003040125	Screw (M4 x 12 mm, Pan Hd.).....	2	60	538417000	Retaining Ring.....	1
20	578313006	Cord Clamp.....	1	61	089100207103	Roller.....	1
21	9053n02200	Field Assembly.....	1	62	589021300	Torsion Spring.....	1
22	A90101050603	Screw (M5 x 60 mm, Pan Hd.).....	2	63	503412000	Blade Bolt.....	1
23	580314000	Baffle.....	1	64	089100212004	Laser Guide.....	1
24	A50006080049	Ball Bearing (608).....	1	65	089100207045	Blade.....	1
25	A46000150008	C-ring.....	1	66	588035105	Inner Blade Washer.....	1
26	A50060020056	Ball Bearing (6002).....	1	67	A19001040091	Screw (M4 x 9 mm, Pan Hd.).....	1
27	9053d01000	Armature Assembly (Inc. Key Nos. 24-26).....	1	68	A10003050106	Screw (M5 x 10 mm, Pan Hd.).....	4
28	A63030001240	O-Ring.....	1	69	089100212900	Data Label.....	1
29	A30003010007	Hex Nut (M10).....	1	70	089100212707	Upper Blade Guard Assembly (Inc. Key Nos. 71-76).....	1
30	A18003100206	Fixed Screw (M10 x 20 mm).....	1	71	A31703004006	Lock Nut (M4).....	1
31	A30003012194	Lock Nut (M12).....	2	72	589032207	Stopper.....	1
32	A36031226023	Washer (M12).....	1	73	A10003040152	Screw (M4 x 15 mm, Pan Hd.).....	1
33	089100212006	Arm.....	1	74	089100207051	Warning Label.....	1
34	588026106	Spindle Lock Pin.....	1	75	089100207040	Warning Label (Upper Guard).....	1
35	A47000040006	E-Ring.....	1	76	089100207044	Logo Label (Upper Guard).....	1
36	588027005	Compression Spring.....	1	77	581410003	Screw.....	1
37	089100212703	Output Spindle Assembly (Inc. Key Nos. 38-46).....	1	78	089100207055	Dust Bag.....	1
38	588031004	Screw (M5 x 10 mm).....	2	79	089100212701	Motor Housing Assembly (Inc. Key Nos. 1-13 and 15-22).....	1
39	A63020000428	O-ring.....	1				
40	A50060040052	Ball Bearing (6004Z/RS).....	1				
41	089100207059	Gear Shaft.....	1				

RYOBI 10 in. COMPOUND MITER SAW - MODEL NUMBER TS1342L

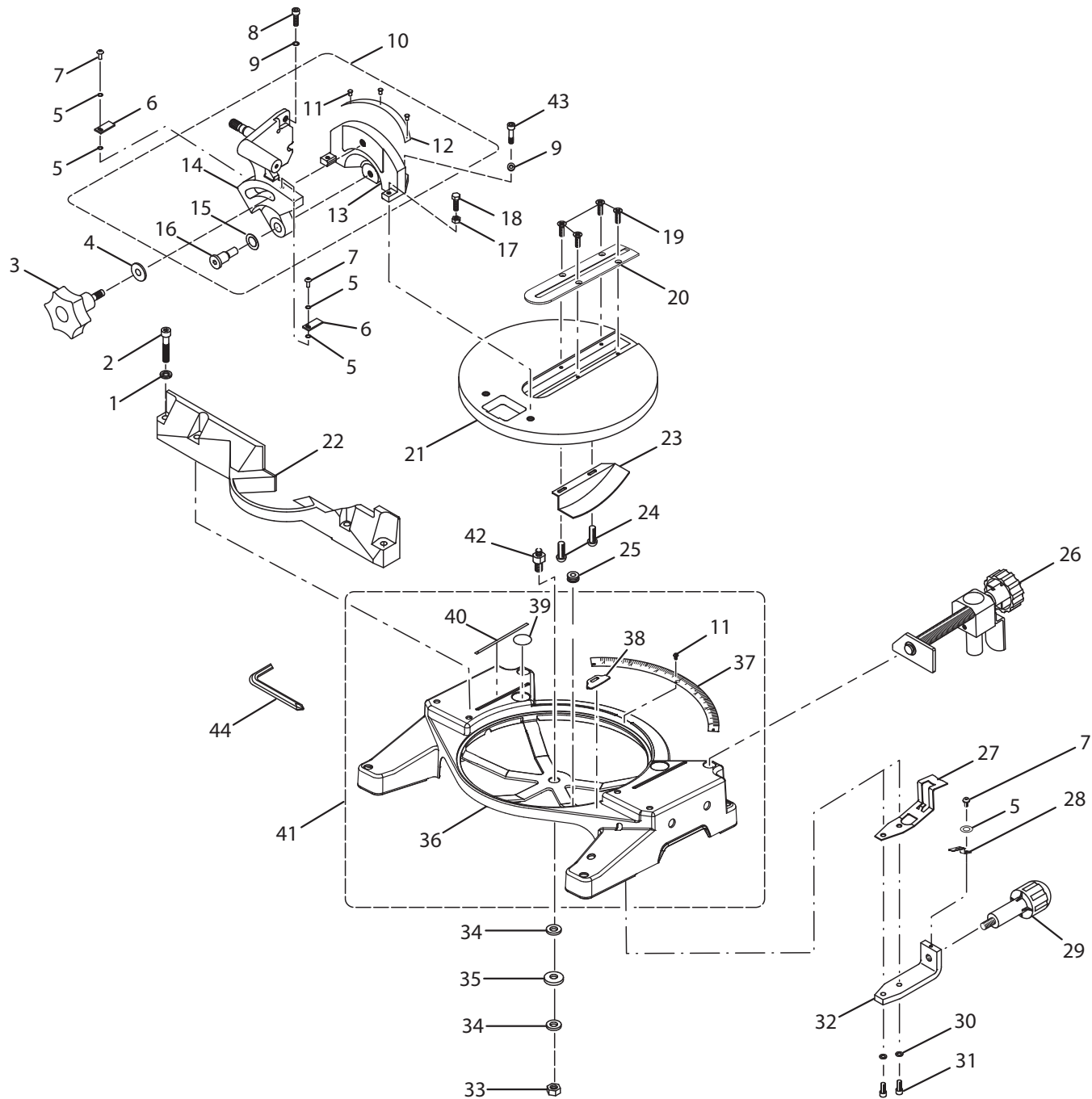


FIGURE B

RYOBI 10 in. COMPOUND MITER SAW – MODEL NUMBER TS1342L

The model number will be found on a label attached to the motor housing. Always mention the model number in all correspondence regarding your **MITER SAW** or when ordering repair parts.

FIGURE B PARTS LIST

KEY NO.	PART NUMBER	DESCRIPTION	QTY.	KEY NO.	PART NUMBER	DESCRIPTION	QTY.
1	A36030814204	Spring Washer (M8).....	4	24	A19003040093	Screw (M4 x 9 mm, Pan Hd.)	2
2	A07103080457	Screw (M8 x 45 mm, Cap Soc. Hd.).....	4	25	503118000	Grommet	1
3	089100207024	Bevel Lock Knob.....	1	26	089100212700	Work Clamp Assembly.....	1
4	A35031030300	Washer (M10)	1	27	518105400	Lock Plate	1
5	A35030410018	Washer (M4)	5	28	089100307006	Pointer.....	1
6	089100207112	Pointer.....	2	29	089100210036	Miter Lock Handle.....	1
7	A10003040107	Screw (M4 x 10 mm, Pan Hd.)	3	30	A36030612157	Spring Washer (M6)	2
8	588058200	Lock Bolt.....	1	31	A07003060257	Cap Screw (M6 x 25 mm).....	2
9	A36031018255	Spring Washer (M10).....	3	32	518104200	Control Arm.....	1
10	089100212706	Pivot Support Assembly (Inc. Key Nos. 11-16).....	1	33	A31703010008	Lock Nut (M10).....	1
11	A49010020056	Rivet (Ø2.5 x 5 mm).....	6	34	A35031025153	Washer (M10)	2
12	089100212005	Bevel Scale	1	35	A36131020100	Spring Washer (M10).....	1
13	089100207050	Pivot Support	1	36	089100210001	Base	1
14	089100207023	Support Bracket Assembly	1	37	089100212001	Miter Scale	1
15	589011308	Washer	1	38	089100210009	Wear Pad.....	5
16	589010200	Pivot Shaft.....	1	39	089100207097	“No Hands Zone” Label	2
17	A30003006003	Hex Nut (M6)	2	40	588071004	“No Hands Zone” Boundary Line.....	2
18	578206000	Bolt (M6 x 16 mm, Hex Hd.).....	2	41	089100212705	Base Assembly (Inc. Key Nos. 11 and 36-40)	1
19	A16003040083	Screw (M4 x 8 mm, Flat Hd.).....	4	42	518106300	Table Spindle.....	1
20	089100207036	Throat Plate (Table Insert).....	1	43	A07003100256	Cap Screw (M10 x 25 mm).....	2
21	089100208008	Miter Table.....	1	44	089100207113	Blade Wrench (M35 x 115 mm).....	1
22	089100207018	Fence	1		987000329	Operator’s Manual	
23	089100207030	Safety Guard	1		10-16-09 (REV:03)		