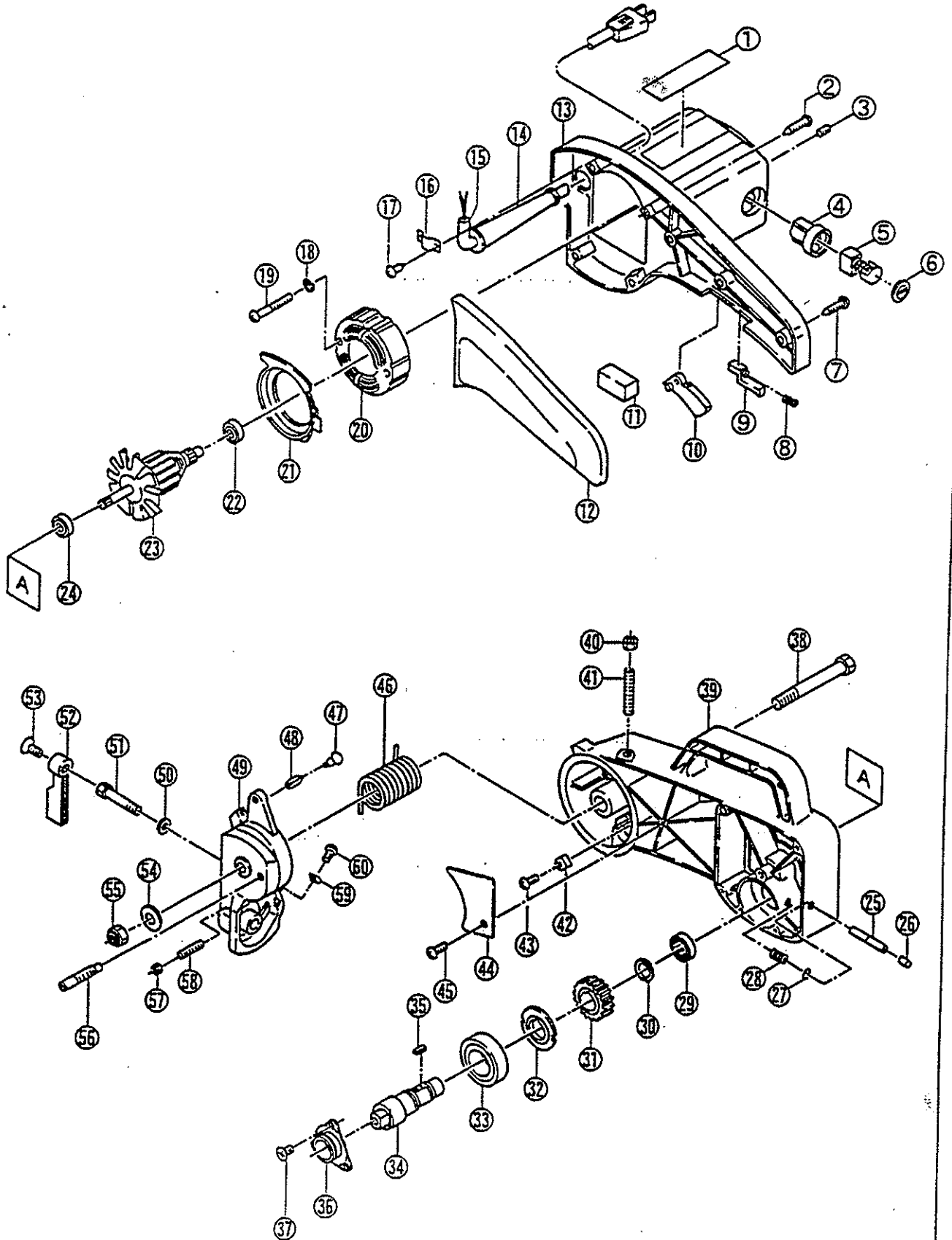


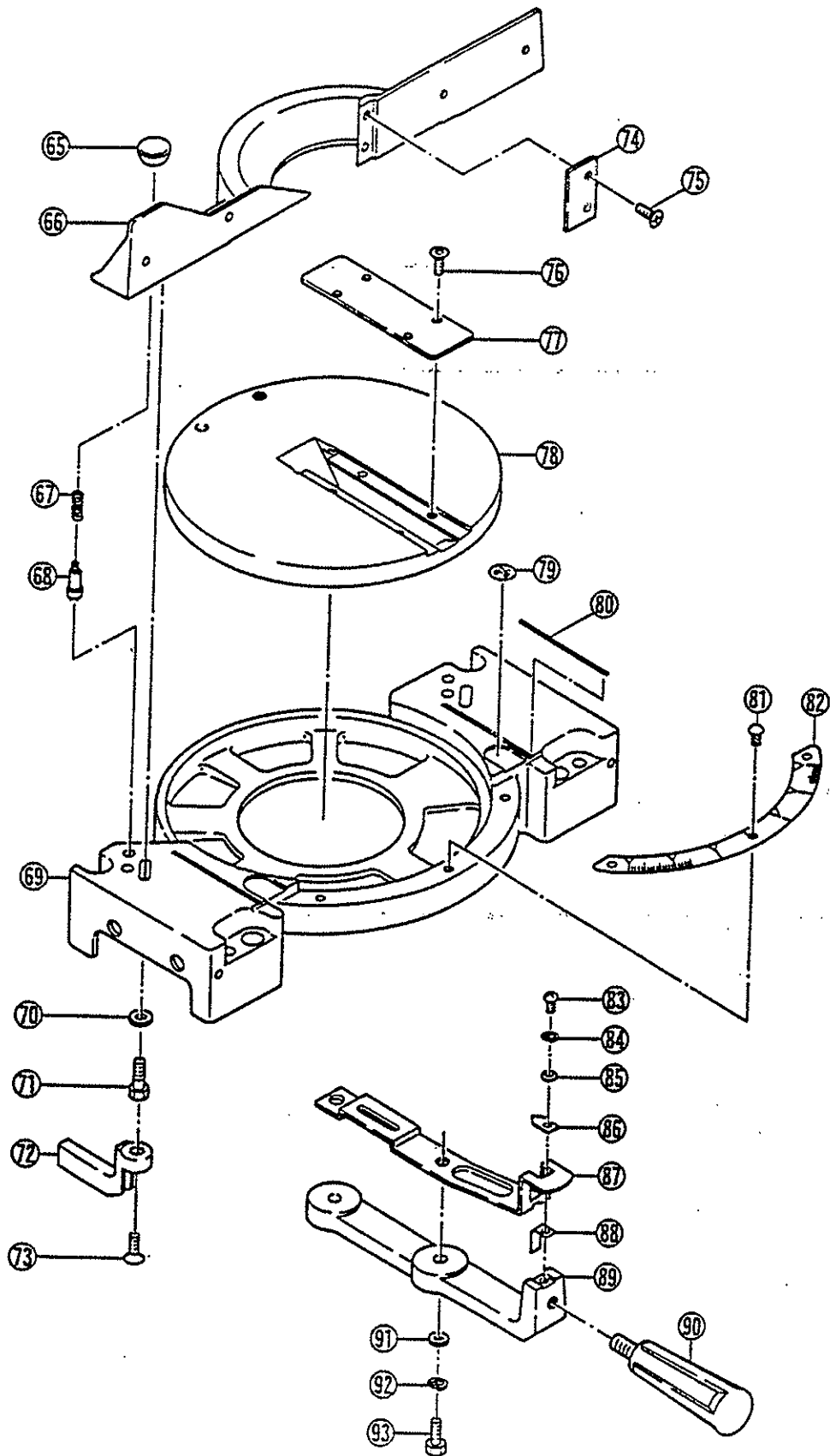
MITER SAW

TS-260, TS-260II



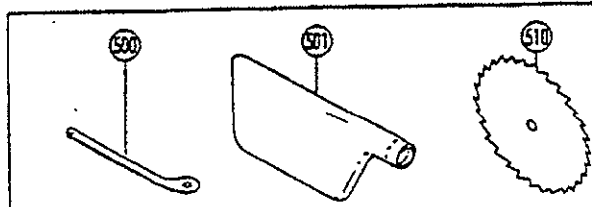
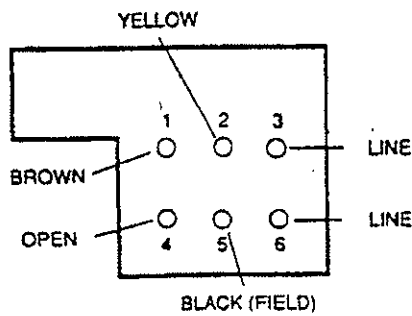
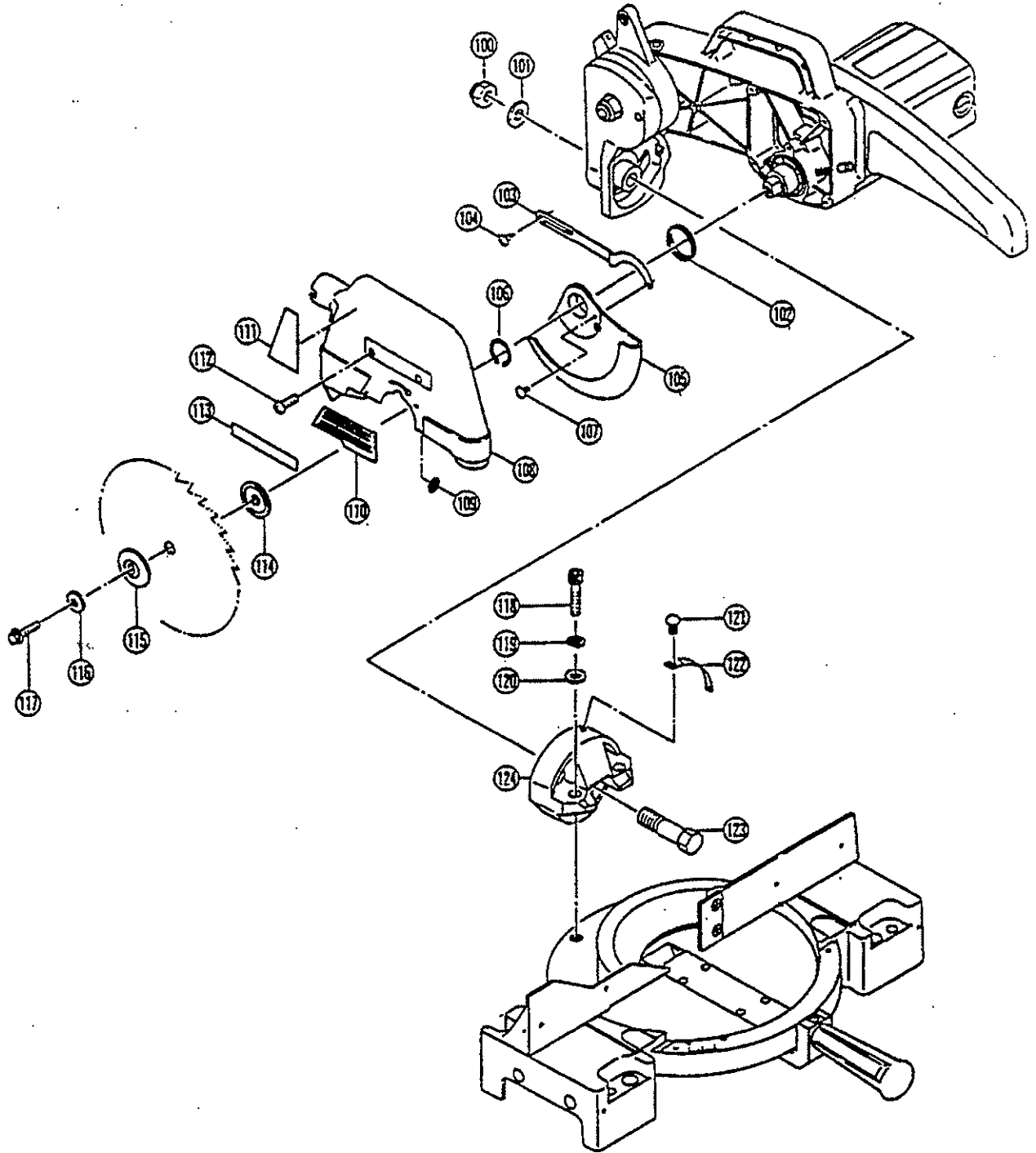
MITER SAW

TS-260, TS-260II



MITER SAW

TS-260, TS-260II



**PARTS LIST FOR AFTER SALES SERVICE
MODEL TS260, TS260II**

REF	PART NO.	DESCRIPTION	MODEL	QTY	REF	PART NO.	DESCRIPTION	QTY
1	1910157	NAME PLATE		1	59	1950005	BEVEL INDICATOR	1
2	9040525	TAPPING SCREW (S) M5X25		4	60	1130056	SCREW	1
3	9280510	CLAMP SCREW M5X10		2	65	1830003	KNOB	2
4	6570097	BRUSH HOLDER		2	66	1950003	FENCE	1
5	6540073	CARBON BRUSH SET		1	67	1180011	COMPRESSION SPRING	2
6	6570107	BRUSH CAP		2	68	1120003	STOPPER PIN	2
7	9060425	TAPPING SCREW (B) M4X25		3	69	1850003	BASE	1
8	3180002	COMPRESSION SPRING		1	70	1900024	WASHER	2
9	3360002	LEVER (Safety lever)		1	71	1130055	HEX HEAD BOLT M10X25	2
10	3360003	TRIGGER		1	72	1190006	LOCK LEVER	2
11	3550001	TRIGGER SWITCH		1	73	1130054	TAPPING SCREW	2
12	6830281	HANDLE COVER		1	74	1360025	FENCE PLATE	1
13	6800305	MOTOR HOUSING	TS260II	1	75	1130054	TAPPING SCREW	2
---	3800010	MOTOR HOUSING (OBSOLETE)	TS260	1	76	1130054	TAPPING SCREW	4
14	6560047	CORD HOLDER		1	77	1360024	SAW GUIDE PLATE	1
15	6520221	CORD ASS'Y		1	78	1190002	TURN TABLE	1
16	6560067	CORD CLAMP		1	79	1920014	WARNING LABEL	2
17	9060414	TAPPING SCREW (B) M4X14		2	80	1920013	LIMIT LABEL	2
18	9550500	SPRING WASHER M5		2	81	1130053	RIVET #2	3
19	9060560	TAPPING SCREW (B) M5X60		2	82	1950002	BEVEL SCALE	1
20	6500304	FIELD COIL	TS260II	1	83	1130052	PHILLIPS PAN SCREW	1
---	3500001	FIELD COIL	TS260	1	84	9550800	SPRING WASHER M8	1
21	6490064	FAN CASING		1	85	1900019	WASHER	1
22	969235005	BALL BEARING #6200ZZ		1	86	1950001	MITER INDICATOR	1
23	6030326	ARMATURE	TS260II	1	87	1180010	SPRING INDEX	1
---	3460005	ARMATURE	TS260	1	88	1150018	PLATE CLAMP	1
24	1750001	BALL BEARING #6202ZZ		1	89	1190001	ARM MITER	1
25	1120024	STOPPER PIN		1	90	1830002	AUX. HANDLE	1
26	1370010	RUBBER CAP		1	91	1900018	WASHER	2
27	9500400	RETAINING RING E-4		1	92	1900017	SPRING WASHER	2
28	1180032	COMPRESSION SPRING		1	93	9190825	HEX HEAD BOLT M8X25	2
29	9911210	NEEDLE BEARING		1	100	1130063	NUT M16	1
30	1100024	RETAINING RING A-20		1	101	1900023	WASHER	1
31	1200017	FINAL GEAR		1	102	1180013	TORSION SPRING	1
32	1180033	LOCK RING		1	103	1190005	LEVER	1
33	9846204	BALL BEARING #6204ZZ		1	104	1130072	SCREW	1
34	1110002	GEAR SHAFT		1	105	1880011	LOWER GUIDE	1
35	1100025	PARALLEL KEY		1	106	1100002	RETAINING RING A-35	1
36	1880010	GEAR CASE COVER		1	107	1120004	CENTER PIN	1
37	1130067	TAPPING SCREW M5X16		3	108	1880012	SAFETY GUARD	1
38	1130066	HEX HEAD BOLT		1	109	1100003	PUSH NUT	1
39	1800026	FRAME		1	110	1880013	SAFETY COVER	1
40	9311000	HEX NUT M10		1	111	1920015	WARNING LABEL	1
41	1130064	CLAMP SCREW		1	112	1130058	TAPPING SCREW M5X20	4
42	1370004	RUBBER SLEEVE		1	113	1920016	"RYOBI" MARK	1
43	1130058	TAPPING SCREW M5X20		1	114	1940004	FLANGE	1
44	1880009	ARM COVER		1	115	1940004	FLANGE	1
45	1130059	TAPPING SCREW M5X10		1	116	1900025	WASHER	1
46	1180012	TORSION SPRING		1	117	1130070	HEX HEAD BOLT M8X20	1
47	1130068	ROUND HEAD BOLT M6X12		1	118	1130060	HEX SOCKET HEAD BOLT M10	2
48	1150019	LOCK PLATE		1	119	9551000	SPRING WASHER M10	2
49	1190004	PIVOT		1	120	1900021	WASHER	2
50	1900021	WASHER		1	121	1130056	RIVET #2	2
51	1130069	HEX HEAD BOLT		1	122	1950004	BEVEL SCALE	1
52	1830004	LOCK LEVER		1	123	1130057	HEX HEAD BOLT	1
53	1130054	TAPPING SCREW		1	124	1190003	BRACKET	1
54	1900023	WASHER		2				
55	1130063	NUT M16		2				
STANDARD ACCESSORIES								
56	1130062	STOPPER BOLT		1	500	1240040	BOX- END WRENCH	1
57	9310600	HEX NUT M6		2	501	6073433	DUST BAG	1
58	1130061	CLAMP SCREW		2	510	3650003	10" SAW BLADE	1