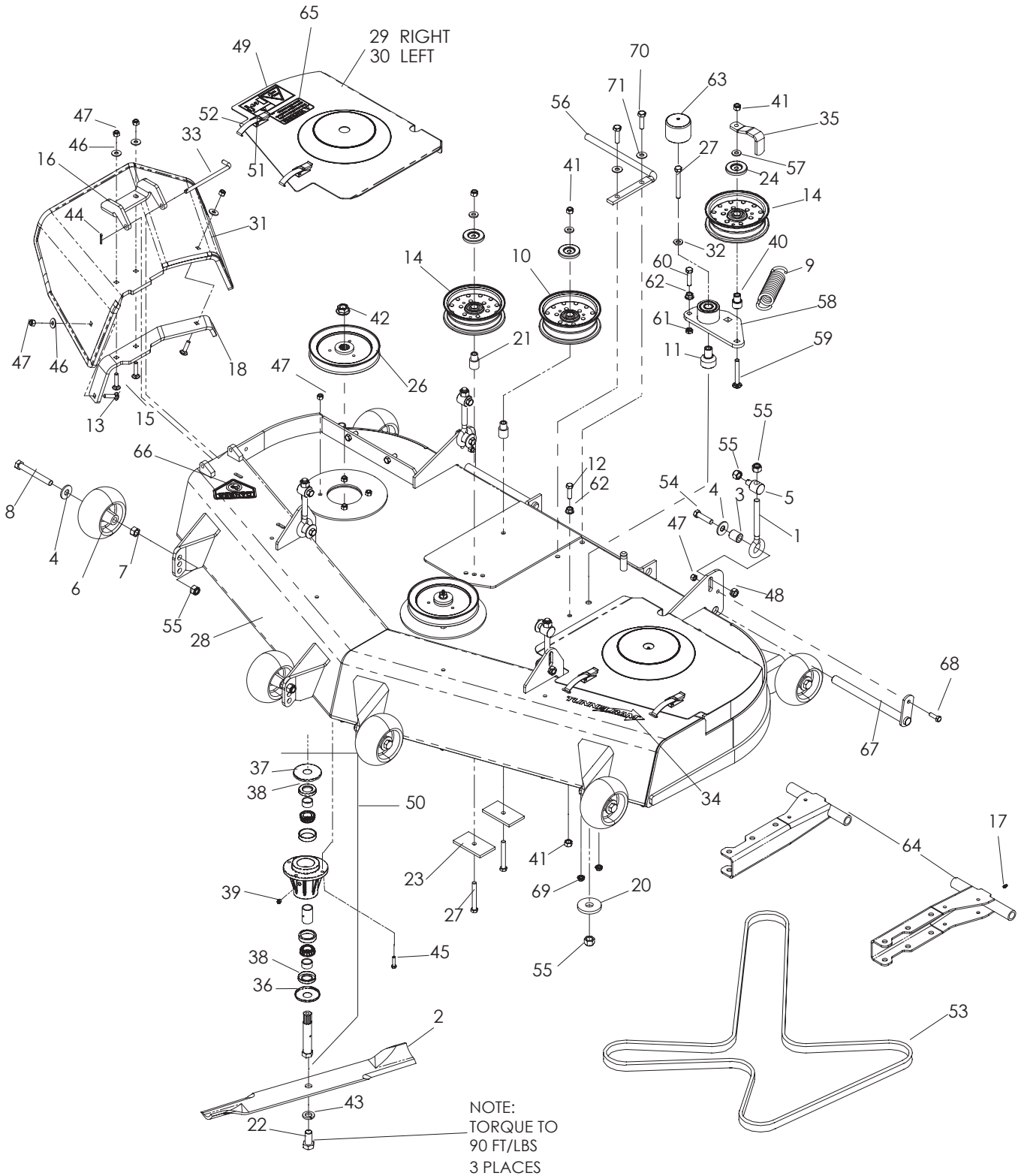


61 INCH TUNNEL DECK

TRD61L / 968999769



61 INCH TUNNEL DECK

| ITEM | PART NO. | QTY. | DESCRIPTION | ITEM | PART NO. | QTY. | DESCRIPTION |
|------|------------|--------|----------------------------|------|------------|--------|-----------------------------|
| 1.. | 539 119227 |4 | EYEBOLT | 37.. | 539 108450 |3 | DUST CAP, TOP |
| 2.. | 539 101733 |3 | BLADE, 21" | 38.. | 539 108754 |2 | SHAFT SEAL |
| 3.. | 539 114404 |4 | SPACER | 39.. | 539 977326 |1 | GREASE POPPET |
| 4.. | 539 109554 |10 | WASHER ½" | 40.. | 539 130242 |1 | BUSHING, IDLER |
| 5.. | 505 256501 |4 | SWIVEL | 41.. | 539 976979 |4 | NUT ¾"-16 NYLOC |
| 6.. | 539 107610 |6 | WHEEL, GAUGE | 42.. | 539 130653 |3 | NUT ¾"-16 FLANGE |
| 7.. | 539 990258 |6 | NUT ½"-13 | 43.. | 539 990333 |3 | LOCKWASHER ⅝" |
| 8.. | 539 108366 |6 | HCS ½"-13 x 4 | 44.. | 539 990365 |1 | PIN COTTER, ⅛" x ¾" |
| 9.. | 539 130690 |1 | SPRING | 45.. | 539 990627 |12 | HCS ⅝"-18 x 1¼" |
| 10.. | 521 966601 |1 | PULLEY, IDLER | 46.. | 539 990692 |4 | WASHER ⅝" |
| 11.. | 510 206301 |1 | PIVOT, BEARING | 47.. | 539 990717 |18 | NUT ⅝"-18 NYLOC |
| 12.. | 539 976941 |1 | HCS ¾"-16 x 1¼" | 48.. | 539 990839 |4 | NUT ⅞"-14 CNTRLCK,GR A |
| 13.. | 539 100472 |2 | RHSNB ⅝"-18 x 1¼" | 49.. | 539 105746 |1 | DECAL, SEVERING |
| 14.. | 539 103257 |2 | PULLEY, IDLER | 50.. | 539 131383 |3 | SPINDLE ASSEMBLY |
| 15.. | 539 102933 |2 | RHSNB ⅝"-18 x 1½" | 51.. | 539 110740 |4 | POP RIVET |
| 16.. | 539 130923 |1 | BRACKET, RUBBER CHUTE | 52.. | 539 109660 |2 | DRAW LATCH |
| 17.. | 539 976998 |2 | ZERK, STRAIGHT, ¼"-28 | 53.. | 510 201301 |1 | DECK BELT |
| 18.. | 539 130925 |1 | REINFORCEMENT, BRCKET | 54.. | 539 108073 |4 | HCS ⅞"-14 x 1¾" |
| 19.. | 539 990550 |2 | WASHER ⅞" | 55.. | 539 101331 |15 | NUT ½"-13 NYLOC |
| 20.. | 539 102243 |1 | SUPPORT WASHER | 56.. | 522 629801 |1 | BELT GUIDE |
| 21.. | 539 103295 |2 | BUSHING, IDLER | 57.. | 522 023401 |3 | WASHER ¾" THICK |
| 22.. | 539 103299 |3 | HCS ⅝"-18 x 1¼" | 58.. | 539 130391 |1 | ARM w/ BEARINGS, IDLER |
| 23.. | 539 103303 |2 | PAD | 59.. | 539 130235 |1 | RHSNB ¾"-16 x 2¾" |
| 24.. | 510 254501 |3 | SHIELD, DUST | 60.. | 539 107042 |1 | HCS ¾"-16 x 1½" GR8 |
| 25.. | 539 103433 |1 | HCS ½"-13 x 3¼" | 61.. | 539 109332 |1 | NUT ¾"-16 JAM |
| 26.. | 539 112125 |3 | PULLEY | 62.. | 539 990613 |2 | NUT ¾"-16 WHIZLK |
| 27.. | 539 101341 |2 | HCS ¾"-16 x 3 | 63.. | 539 114823 |1 | CAP, VINYL |
| 28.. | 539 111378 |1 | DECK w/ DECALS | 64.. | 539 112517 |2 | STRUT |
| 29.. | 510 202101 |1 | BELT SHIELD, RIGHT | 65.. | 539 113224 |1 | DECAL, WARNING |
| 30.. | 510 202201 |1 | BELT SHIELD, LEFT | 66.. | 539 913010 |1 | DECAL, CPSC |
| 31.. | 539 130779 |1 | DISCHARGE CHUTE | 67.. | 539 102619 |2 | PIVOT PIN |
| 32.. | 539 115528 |1 | WASHER½" BELLEVILLE | 68.. | 563 990209 |2 | HCS ⅝"-18 x 1 |
| 33.. | 539 131813 |1 | PIN, CHUTE PIVOT | 69.. | 539 108735 |2 | NUT ¼"-20, FLANGE |
| 34.. | 539 111561 |1 | DECAL, TUNNEL RAM | 70.. | 539 990548 |2 | HCS ¼"-20 x 1 |
| 35.. | 539 114981 |1 | GUIDE, BELT | 71.. | 539 990055 |2 | WASHER ¼" SAE |
| 36.. | 539 108449 |1 | DUST CAP, BOTTOM | | | | |