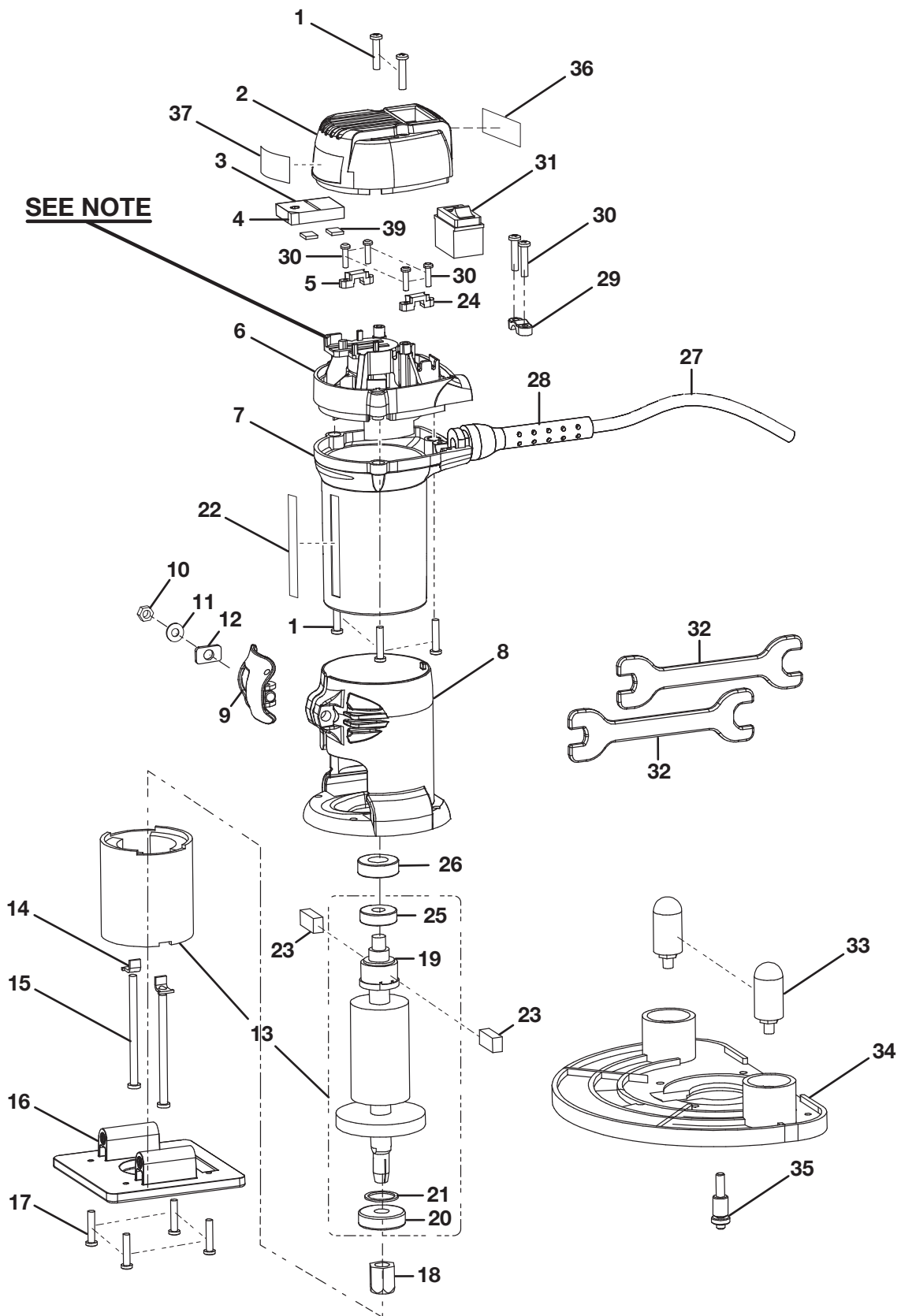


**RYOBI LAMINATE TRIMMER - MODEL NUMBER TR45**



**NOTE: THE ASSEMBLY SHOWN REPRESENTS AN IMPORTANT PART OF THE DOUBLE INSULATED SYSTEM. TO AVOID THE POSSIBILITY OF ALTERATION OR DAMAGE TO THE SYSTEM, SERVICE SHOULD BE PERFORMED BY YOUR NEAREST RYOBI REPAIR CENTER.**

## RYOBI LAMINATE TRIMMER – MODEL NUMBER TR45

The model number will be found on a plate attached to the motor housing. Always mention the model number in all correspondence regarding your **LAMINATE TRIMMER** or when ordering repair parts.

### PARTS LIST

| KEY NO. | PART NUMBER | DESCRIPTION   | QTY. |
|---------|-------------|---|------|
| 1       | 6620805     | SCREW (M4 x 16 mm PAN HD.) .....  | 2    |
| 2       | 512070001   | TOP CAP .....   | 1    |
| 3       | 290083003   | WIRE ASSEMBLY .....   | 1    |
| 4       | 840108001   | RECTIFIER.....  | 1    |
| 5       | 512225402   | LEFT BRUSH MOUNT.....   | 1    |
| 6       | 512044002   | MOUNTING FRAME.....   | 1    |
| 7       | 512045001   | MOTOR HOUSING.....  | 1    |
| 8       | 342073001   | HOUSING BASE.....   | 1    |
| 9       | 301040001   | LATCH ASSEMBLY .....  | 1    |
| 10      | 6797401     | LOCK NUT .....  | 1    |
| 11      | 670060001   | WASHER .....  | 1    |
| 12      | 671352001   | WASHER, SQAURE.....   | 1    |
| 13      | 200216048   | * MOTOR w/BEARING ASSEMBLY<br>(INC. KEY NOS. 19-21 AND 25) (V MOTOR).....   | 1    |
|         | 200216049   | ** MOTOR w/BEARING ASSEMBLY<br>(INC. KEY NOS. 19-21 AND 25) (HH MOTOR)..... | 1    |
| 14      | 630115001   | RETAINING CLIP .....  | 2    |
| 15      | 6623704     | SCREW (M4 x 66 mm PAN HD.) .....  | 2    |
| 16      | 512047002   | SQUARE BASE .....   | 1    |
| 17      | 660213013   | SCREW (M4 x 12 mm PAN HD.) .....  | 4    |
| 18      | 690190002   | COLLET NUT.....   | 1    |
| 19      | 680821001   | RETAINING RING .....  | 1    |
| 20      | 690191001   | BALL BEARING .....  | 1    |
| 21      | 690212001   | RETAINING RING .....  | 1    |
| 22      | 940299506   | HEIGHT SCALE.....   | 1    |
| 23      | 290075041   | * BRUSH ASSEMBLY (V MOTOR) .....  | 2    |
|         | 290069231   | ** BRUSH ASSEMBLY (HH MOTOR) .....  | 2    |
| 24      | 512225404   | RIGHT BRUSH MOUNT .....   | 1    |
| 25      | 6814104     | BALL BEARING (608ZZ).....   | 1    |
| 26      | 560881001   | RUBBER BEARING SEAT .....   | 1    |
| 27      | 730377012   | POWER CORD .....  | 1    |
| 28      | 5927402     | BEND RELIEF.....  | 1    |
| 29      | 512225302   | CORD CLAMP.....   | 1    |
| 30      | 660203003   | SCREW (M3 x 12 mm PAN HD.) .....  | 6    |
| 31      | 760263002   | SWITCH.....   | 1    |
| 32      | 690214001   | WRENCH.....   | 2    |
| 33      | 690274001   | SPINDLE HANDLE .....  | 2    |
| 34      | 550818001   | ROUTER BASE.....  | 1    |
| 35      | 671277002   | BEARING BIT .....   | 1    |
| 36      | 940214076   | DATA PLATE .....  | 1    |
| 37      | 940054106   | LOGO PLATE.....   | 1    |
| 38      | 300912077   | CARRYING CASE (NOT SHOWN).....  | 1    |
| 39      | 900534001   | NEOPRENE WASHER.....  | 1    |
|         | 983000429   | OPERATOR'S MANUAL   |      |
|         | 2-04-09     |   |      |
|         | (REV:04)    |   |      |

\* The motor without imprint of part number is V motor.

\*\* The motor with imprinted part number 290147028 is HH motor.