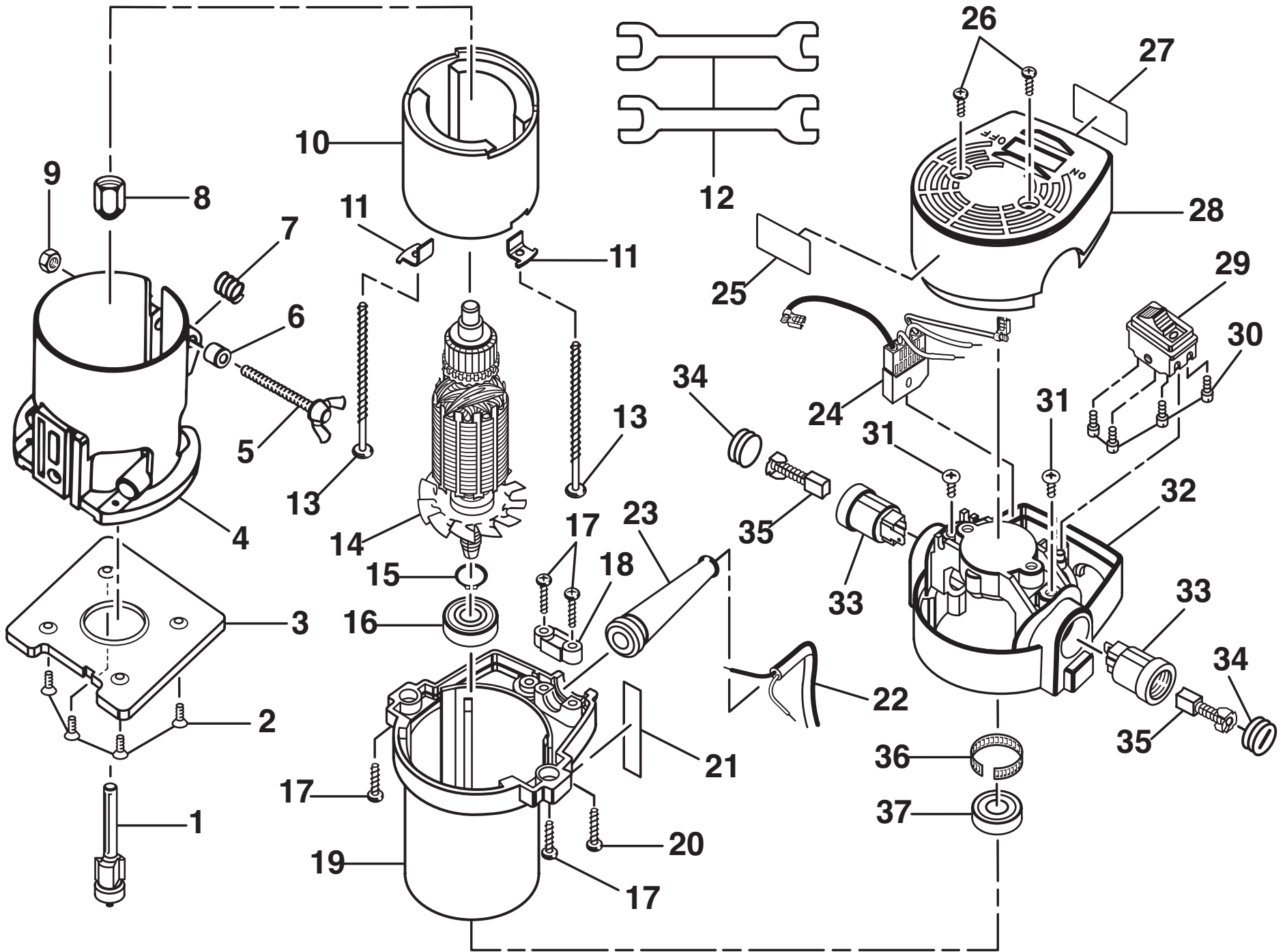


RYOBI LAMINATE TRIMMER – MODEL NUMBER TR31



RYOBI LAMINATE TRIMMER – MODEL NUMBER TR31

The model number will be found on a plate attached to the motor housing. Always mention the model number in all correspondence regarding your **LAMINATE TRIMMER** or when ordering repair parts.

PARTS LIST

Key No.	Part Number	Description	Quan.	Key No.	Part Number	Description	Quan.
1	975994-001	1/2 in. BIT	1	20	090604-200	SCREW (M4 X 20 PAN HD.)	1
2	622210-039	SCREW (#8-32 X 3/8 in. FIL. HD. T.C.)	4	21	974786-001	SCALE LABEL	1
3	982740-001	SUBBASE	1	22	969274-016	CORD	1
4	068501-432	BASE	1	23	065601-010	BEND RELIEF	1
5	092406-350	WING BOLT (M6 X 35)	1	24	974941-001	RECTIFIER ASSEMBLY	1
6	662932-001	SPACER	1	25	982685-001	LOGO PLATE	1
7	974115-001	COMPRESSION SPRING	1	26	090604-120	SCREW (M4 X 12 PAN HD.)	2
8	989985-003	COLLET NUT (1/4 in.)	1	27	982683-001	DATA PLATE	1
9	093006-000	HEX NUT (M6)	1	28	068004-103	END CAP	1
10	974288-002	FIELD	1	29	972579-002	SWITCH (INCLUDES KEY NO. 30)	1
11	974730-001	RETAINING CLIP	2	30	968775-001	SCREW (M3 X 7 FIL. HD.)	4
12	975096-001	WRENCH	2	31	968702-005	SCREW (#8-16 X 3/8 in. PAN HD.)	2
13	090604-650	SCREW (M4 X 65 PAN HD.)	2	32	063600-733	BRACKET	1
14	974853-002	ARMATURE (INCLUDES KEY NOS. 39, 15, AND 16)	1	33	065700-480	BRUSH HOLDER	2
15	622167-012	RETAINING RING	1	34	065700-700	BRUSH CAP	2
16	968305-017	BALL BEARING (NTN#6001ZZC3/1E))	1	35	968304-082	BRUSH ASSEMBLY	2
17	968700-009	SCREW (M4 X 16 PAN HD.)	4	36	975467-001	TOLERANCE RING	1
18	967917-001	CORD CLAMP	1	37	968305-010	BALL BEARING (NTN#608ZZ/1E)	1
19	663051-003	MOTOR HOUSING	1		972000-890	OWNER'S MANUAL	
					2-02		

WARNING: Improper repair of a double insulated tool can result in damages to the double insulation system possibly causing electrical shock or electrocution. Any repairs requiring disassembly of your tool requires safety testing and should only be performed by a Ryobi Authorized Service Center. For the service center nearest you call 1-800-525-2579 in the United States or 1-866-897-9624 in Canada.