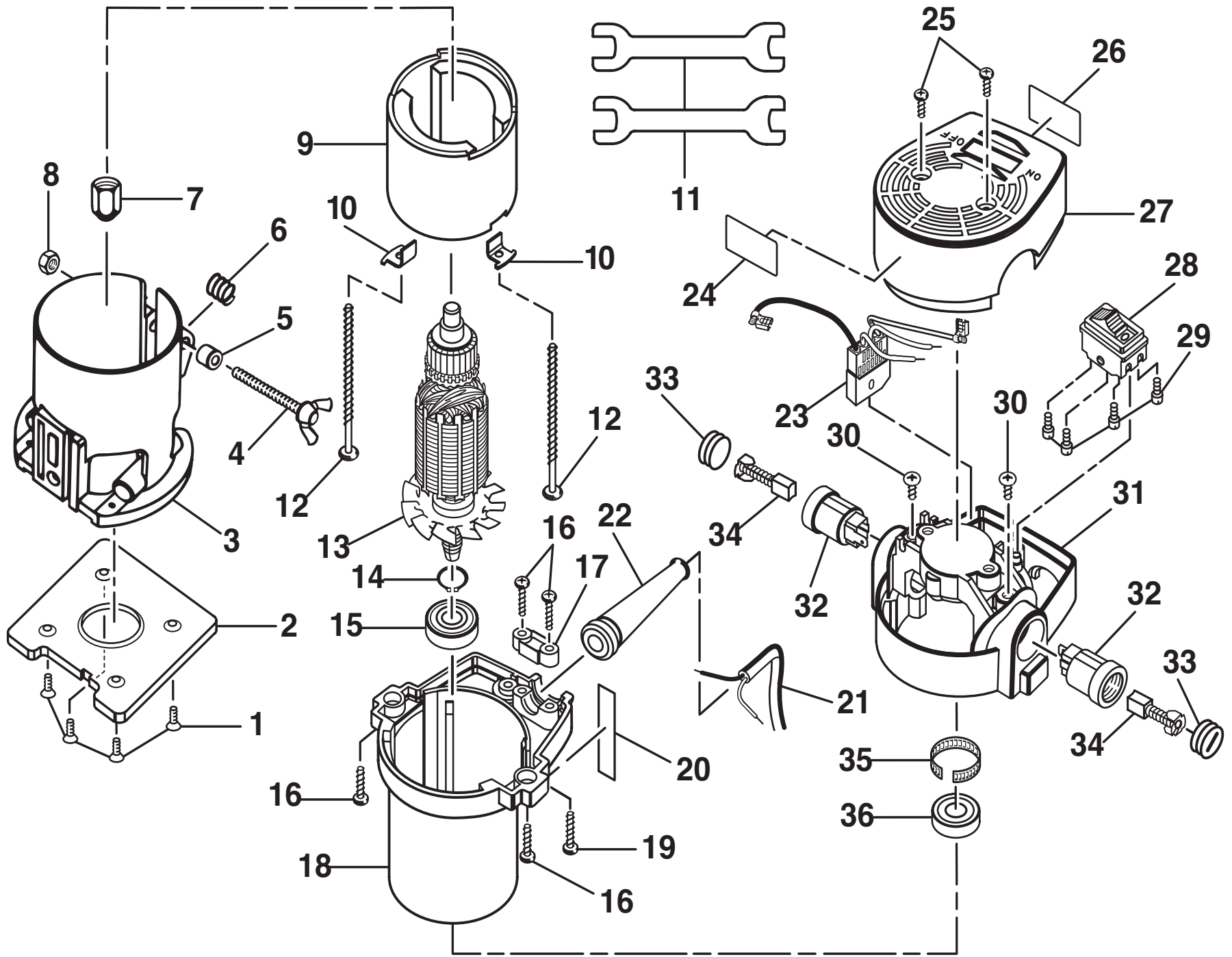


RYOBI LAMINATE TRIMMER – MODEL NUMBER TR31-1



## RYOBI LAMINATE TRIMMER – MODEL NUMBER TR31-1

The model number will be found on a plate attached to the motor housing. Always mention the model number in all correspondence regarding your **LAMINATE TRIMMER** or when ordering repair parts.

### PARTS LIST

Key No.	Part Number	Description	Qty.	Key No.	Part Number	Description	Qty.
1	622210-039	SCREW (#8-32 X 3/8 in. FIL. HD. T.C.)	4	19	090604-200	SCREW (M4 X 20 mm PAN HD.)	1
2	982740-001	SUBBASE	1	20	974786-001	SCALE LABEL	1
3	068501-432	BASE	1	21	969274-016	CORD	1
4	092406-350	WING BOLT (M6 X 35 mm)	1	22	065601-010	BEND RELIEF	1
5	662932-001	SPACER	1	23	974941-001	RECTIFIER ASSEMBLY	1
6	974115-001	COMPRESSION SPRING	1	24	982685-001	LOGO PLATE	1
7	989985-003	COLLET NUT (1/4 in.)	1	25	090604-120	SCREW (M4 X 12 mm PAN HD.)	2
8	093006-000	HEX NUT (M6)	1	26	983740-001	DATA PLATE	1
9	974288-002	FIELD	1	27	068004-103	END CAP	1
10	974730-001	RETAINING CLIP	2	28	972579-002	SWITCH (INCLUDES KEY NO. 29)	1
11	975096-001	WRENCH	2	29	968775-001	SCREW (M3 X 7 mm FIL. HD.)	4
12	617966-023	SCREW (#8-10 X 2-5/8 in. PAN HD.)	2	30	968702-005	SCREW (#8-16 X 3/8 in. PAN HD.)	2
13	983744-001	ARMATURE (INCLUDES KEY NOS. 14, 15, AND 36)	1	31	063600-733	BRACKET	1
14	622167-012	RETAINING RING	1	32	065700-480	BRUSH HOLDER	2
15	968305-017	BALL BEARING (NTN#6001ZZC3/1E)	1	33	065700-700	BRUSH CAP	2
16	968700-009	SCREW (M4 X 16 mm PAN HD.)	4	34	968304-082	BRUSH ASSEMBLY	2
17	967917-001	CORD CLAMP	1	35	975467-001	TOLERANCE RING	1
18	663051-003	MOTOR HOUSING	1	36	968305-010	BALL BEARING (NTN#608ZZ/1E)	1
					983000-149R	OPERATOR'S MANUAL	
					5-03		

**WARNING:** Improper repair of a double insulated tool can result in damages to the double insulation system possibly causing electrical shock or electrocution. Any repairs requiring disassembly of your tool requires safety testing and should only be performed by a Ryobi Authorized Service Center. For the service center nearest you call 1-800-525-2579.