

Tanaka Illustrated Parts Manual

Model Number:

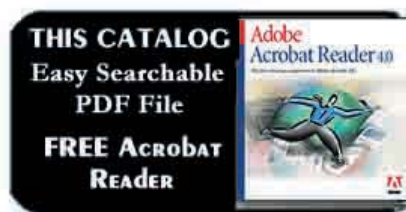
TPH-270PF/PN

ARTICULATING POLE HEDGE TRIMMER

P/N 29733

Rev 001

Date 11-13-07

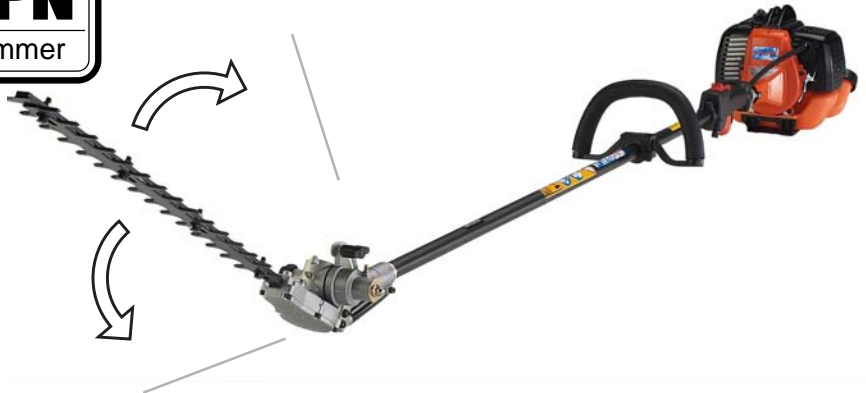


Supplier To The Outdoor Power Equipment Industry

Nikko Tanaka Engineering • 1028 4th Street SW Bldg B • Auburn, WA 98001 • Phone: (253) 333-1200 • Fax: (253) 333-1212

30% More Fuel Efficient

TPH-270PF* / PN
Low Emission Pole Hedge Trimmer



*** C.A.R.B. Tier II CERTIFIED** NOTE - The **TPH-270PN IS NOT** C.A.R.B. Tier II certified.
PF = PureFire Engine & Catalytic Muffler
PN = PureFire Engine & **NO** Catalytic Muffler

Features / Benefits

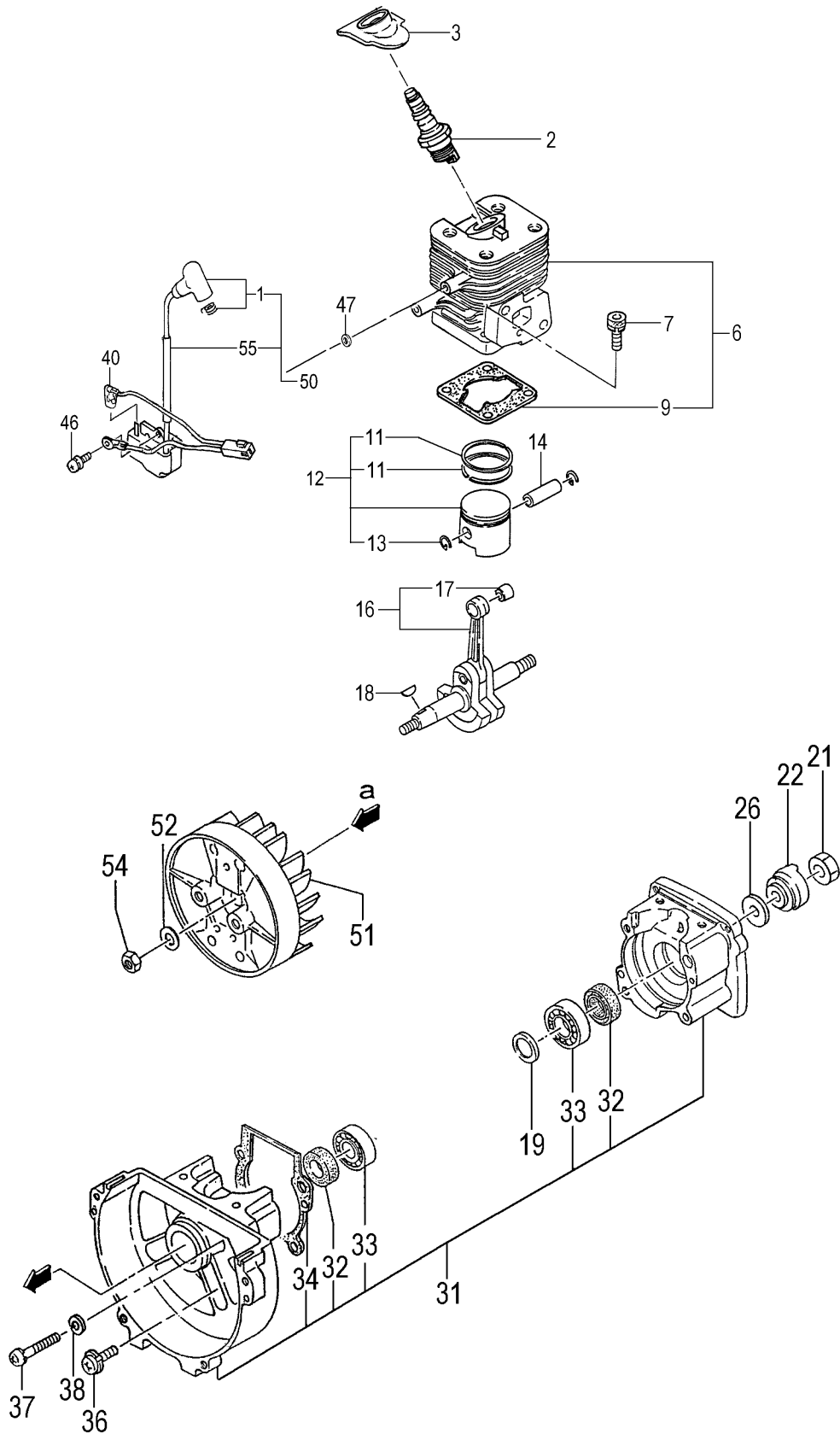
- **26cc, 1.4 hp low emission two-stroke engine** reduces emissions by up to 70 percent and features Tanaka’s proven high quality engine components.
- **Increased fuel efficiency** saves you money and increases productivity.
- **Articulating / Pivoting Blades** allow you to select any cutting angle from -85 to + 45 degrees (130 degrees total).
- **22 inch, double sided, dual reciprocating blades** provide excellent cutting speed and powerful cutting action.
- **1 / 2 / 5 Warranty Coverage** provides **One-Year** coverage for professionals, **Two-Year** Coverage for Homeowners, and **Five Years** on the Electronic Ignition Module.

Specifications	
Engine Type	PureFire™ Low Emission
Engine Displacement cc (cu. in.)	26 (1.6)
Power (h.p.)	1.4
Carburetion	Walbro Diaphragm with Primer
Ignition System	Transistorized Electronic
Fuel Tank Capacity / fl. oz. (cc)	22.1 (650)
Anti-Vibration System	Front & Rear Handle
Clutch System	Heavy-Duty Centrifugal
Shaft Support	5 Shaft Bearings
Drive System	7mm Solid Steel Shaft
Shaft Length / inches (mm)	57 (1450)
Cutting Blade Type	Double Sided, Dual Reciprocating
Blade Length / inches (mm)	22 (560)
Articulating Angle Degree	130 (-85 to +45)
Dry Weight / lbs. (kg)	13.0 (5.9)

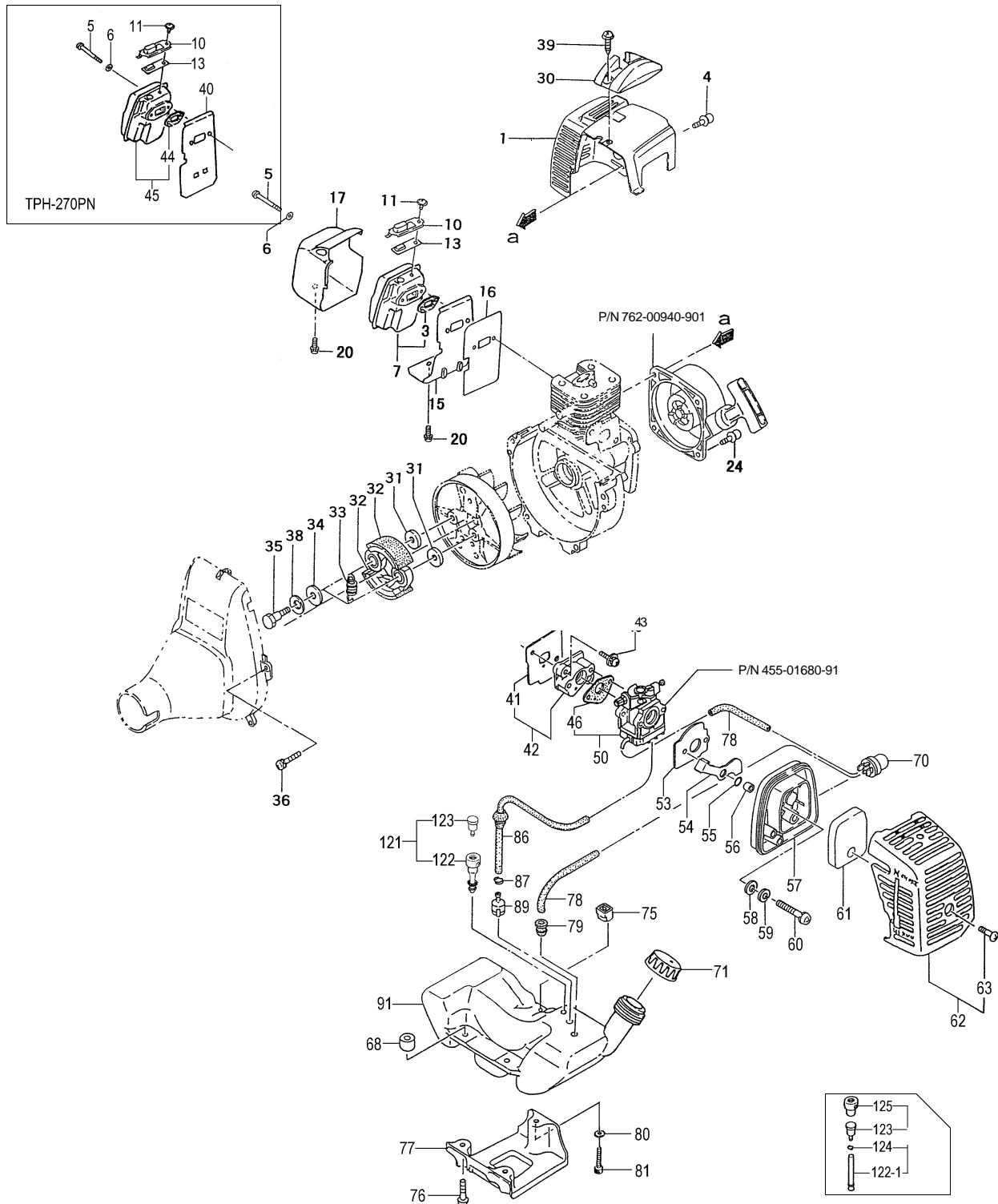
Optional Accessories:

ORDER #	DESCRIPTION
Varies	Perfect Mix™ 2-Cycle Engine Oil

All data and specifications are subject to change without notice
For more information, contact:



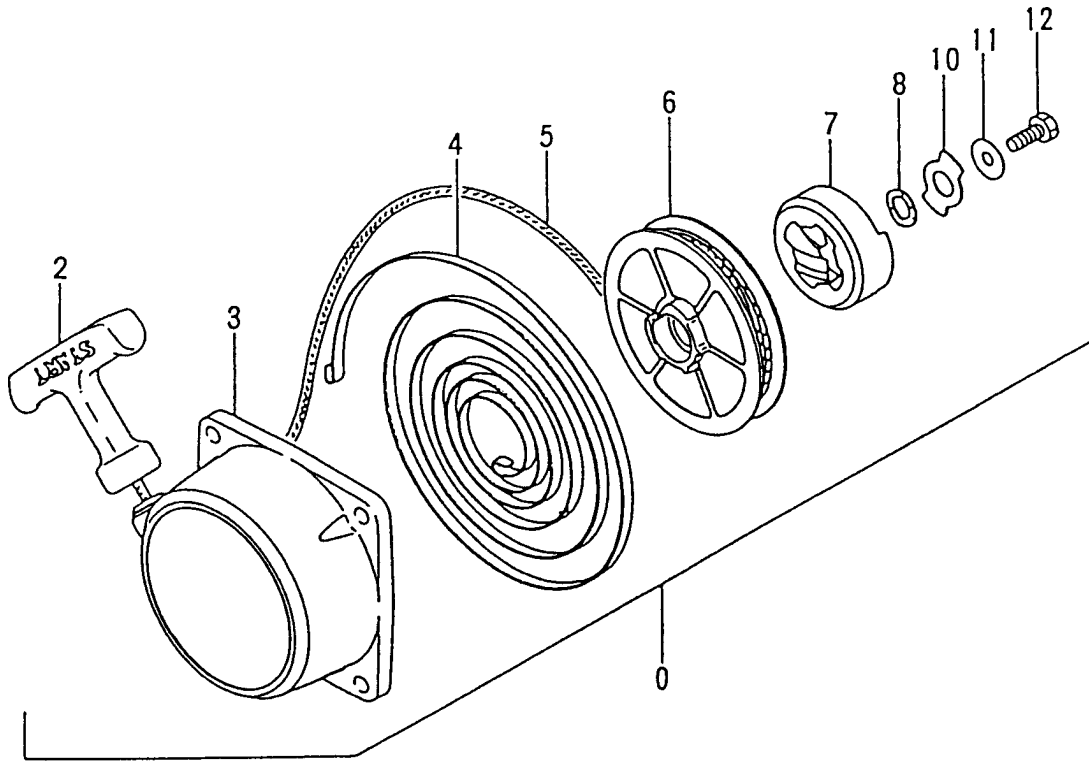
ITEM	PART NUMBER	DESCRIPTION	QTY	COMMENTS
1-1	1570168090	CAP, SPARK PLUG ASS'Y	1	
1-2	0181161021	PLUG, SPARK	1	
1-3	2550168020	COVER, SPARK PLUG, RUBBER	1	
1-6	0010168090	SET, CYLINDER	1	Includes cylinder gasket
1-7	99461050184	BOLT, HEX, 5X18, S	4	
1-9	0170168020	GASKET, CYLINDER	1	
1-11	04101601200	RING, PISTON	2	
1-12	0300168090	SET, PISTON	1	Includes rings & circlips
1-13	03900000201	CIRCLIP, PISTON PIN	2	
1-14	03701700200	PIN, PISTON	1	
1-16	0460168080	CRANKSHAFT	1	
1-17	99962091325	BEARING, NEEDLE, F-910	1	
1-18	06810100200	KEY, WOODRUFF, 3X13X4.5	1	
1-19	33000200210	SHIM, 12.2X19X.10	V	Shims are "as needed" to obtain
1-19	33000200220	SHIM, 12.2X19X.15	V	correct side clearance
1-19	33000200230	SHIM, 12.2X19X.20	V	
1-19	33000200240	SHIM, 12.2X19X.30	V	
1-21	99101080011	NUT, 8	1	
1-22	79801630200	PULLEY, STARTER	1	
1-26	35910112203	WASHER, CLUTCH B	1	
1-31	0720168090	CRANKCASE, ASSY	1	Crankcase assy includes bearings, seals
1-32	99966122240	SEAL, OIL, #12227	1	and gasket.
1-33	99961600100	BEARING, BALL, #6001	2	
1-34	0900168020	GASKET, CRANKCASE	1	
1-36	99414050251	SCREW, 5X25	2	
1-37	99011050381	SCREW, 5X38	2	
1-38	99210050012	WASHER, S, 5	2	
1-40	1910168090	WIRE, LEAD ASS'Y	1	
1-46	99416040186	SCREW, WS, 4X18	2	
1-47	1820186A201	WASHER, SPECIAL	2	
1-50	1672174390	COIL, IGNITION ASS'Y	1	
1-51	1552174380	ROTOR, MAGNETO	1	
1-52	99200080011	WASHER, 8	1	
1-54	99101080011	NUT, 8	1	
1-55	2500168020	TUBE, INSULATOR	1	



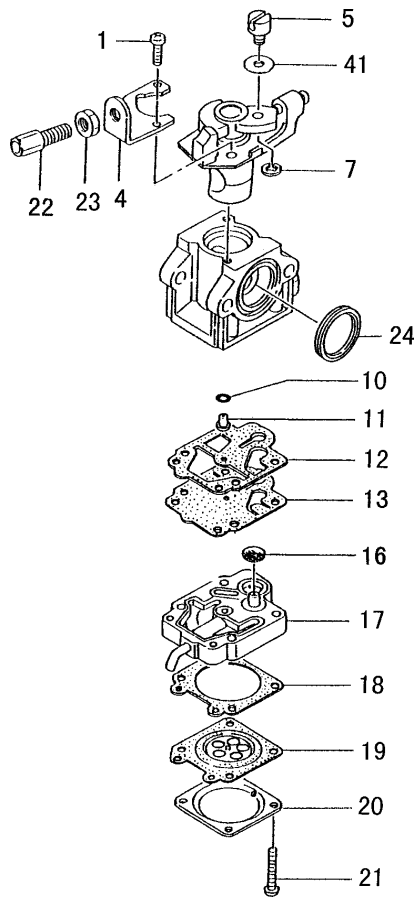
ITEM	PART NUMBER	DESCRIPTION	QTY	COMMENTS
2-1	7380168120	PROTECTOR,MUFFLER	1	
2-3	7370168020	GASKET,MUFFLER	1	
2-4	99415040182	SCREW,PS,4X18	2	
2-5	99053060653	SCREW,HEX,6X65	2	
2-6	99201060011	WASHER,6	2	
2-7	7040168090	SET,MUFFLER	1	
2-10	7210440020	PIPE,TAIL	1	
2-11	99434040081	SCREW,4X8/S	1	
2-13	7320440020	ARRESTER,SPARK	1	
2-15	7360168022	COVER,MUFFLER B	1	
2-16	1330168020	SHIELD,HEAT	1	
2-17	7350168080	COVER,MUFFLER A	1	
2-20	99415050101	SCREW	2	
2-24	99415040142	SCREW,4X14/PS	2	
2-30	2570168120	COVER,SPARK PLUG	1	
2-31	35902103200	WASHER,CLUTCH,B	2	
2-32	29001620800	SHOE,CLUTCH	2	
2-33	3420630B200	SPRING,CLUTCH	1	
2-34	3480602R200	WASHER,CLUTCH A	2	
2-35	3570075T200	BOLT,STEP	2	
2-36	99416050162	SCREW,5X16/WS	4	
2-38	99205080030	WASHER,8	2	
2-39	99072045164	SCREW,TAPPING,4.5X16	1	
2-40	1330168720	SHIELD,HEAT	1	
2-41	4030097A21	GASKET,INLET MANIFOLD	1	
2-42	4040097A90	SET, CARB INSULATOR	1	
2-43	99416050241	SCREW 5x24WS	2	
2-44	7370165A201	GASKET,MUFFLER	1	
2-45	7040168790	SET,MUFFLER	1	
2-46	4020602K21	GASKET,CARBURETOR	1	
2-50	4550168091	SET,CARBURETOR	1	Includes carburetor gasket
2-53	4360162V20	BASE,CLEANER	1	
2-54	5280168020	VALVE,CHOKE	1	
2-55	99967008012	O-RING,S-8	1	
2-56	4700602N200	COLLAR,CLEANER	1	
2-57	4230637C800	BODY,CLEANER	1	
2-58	99200050011	WASHER,SMALL,5	2	
2-59	99210050012	WASHER,S,5	2	
2-60	99011050602	SCREW,5X60	2	
2-61	4460637C200	ELEMENT,CLEANER	1	
2-62	4520168090	SET,CLEANER COVER	1	Includes bolt
2-63	3800637C200	BOLT,CLEANER COVER	1	
2-68	6590430020	COLLAR,C	3	
2-70	44225143800	PUMP,PRIMING ASS'Y	1	

FUEL TANK, FUEL SYSTEM, AIR CLEANER, MUFFLER • FIGURE 2

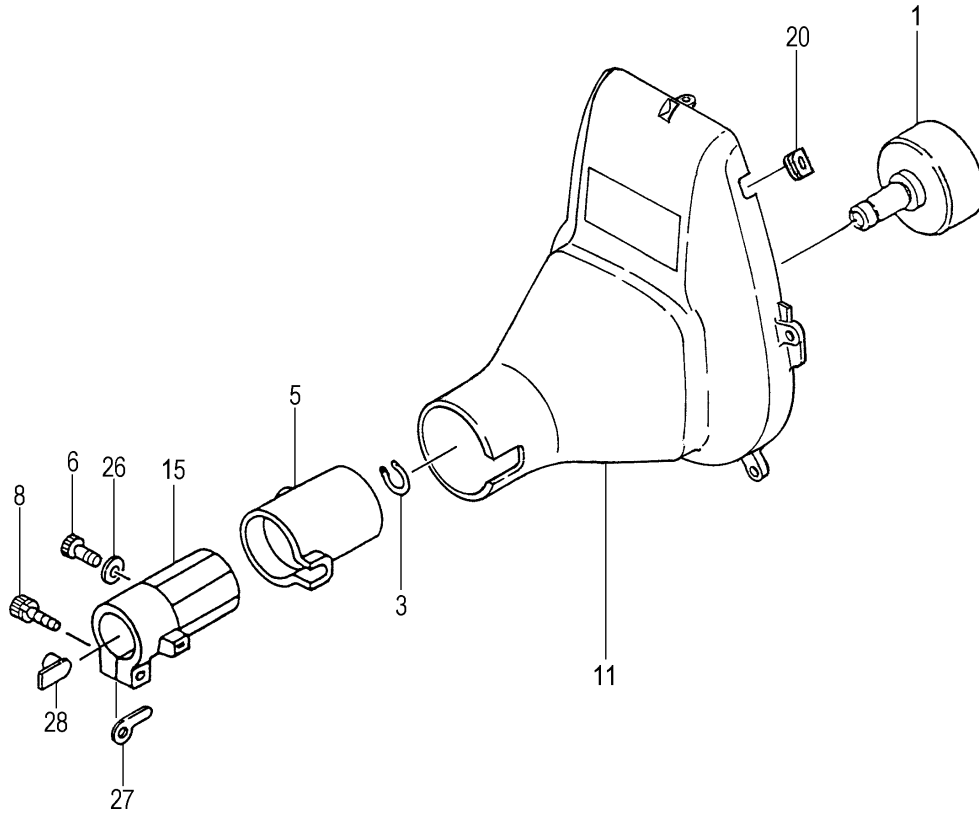
ITEM	PART NUMBER	DESCRIPTION	QTY	COMMENTS
2-71	5950168090	CAP,TANK ASS'Y	1	
2-75	6490168020	COLLAR,TANK FIXING	1	
2-76	99463050204	BOLT, HEX 5X20	2	
2-77	9400430020	STAND,ENGINE	1	
2-78	70002504080	PIPE,FUEL,2.5X4X80	2	
2-79	53432710200	GROMMET,FUEL PIPE	1	
2-80	99201050061	WASHER,5	1	
2-81	99461050304	BOLT,HEX,5X30S	1	
2-86	2230162V900	PIPE,FUEL,ASS'Y	1	
2-87	68000731201	CLIP 6.3	1	
2-89	6750404280	FILTER,FUEL	1	
2-91	5910168520	TANK	1	
2-121	5640661190	VENT,AIR ASS'Y	1	
2-122	5650503220	PIPE,AIR VENT	1	Before S/N V096769
2-122	5650441020	PIPE,AIR VENT	1	S/N V096770 and after
2-123	6460661290	VALVE	1	
2-124	68000731201	CLIP 6.3	1	Before S/N V096769
2-125	5610007020	COVER,AIR VENT	1	Before S/N V096769



ITEM	PART NUMBER	DESCRIPTION	QTY	COMMENTS
3-0	7620094090	STARTER,RECOIL ASS'Y	1	
3-2	78500940200	HANDLE,STARTER	2	
3-3	77200940801	BODY,STARTER	1	
3-4	78000940200	SPRING,RECOIL	1	
3-5	78300940200	ROPE,STARTER	1	
3-6	77400940200	REEL,STARTER ROPE	1	Prior to S/N V218191
3-6	7740163021	REEL,STARTER ROPE	1	S/N V218191 and after
3-7	7880163021	PAWL,STARTER	1	
3-8	80105015200	WASHER,STARTER PULLEY	1	
3-10	8370501521	PLATE,FRICITION	1	
3-11	82205015200	SHIM,STARTER PULLEY	1	Prior to S/N V218191
3-11	8220423020	SHIM,STARTER PULLEY	1	S/N V218191 and after
3-12	8390423020	BOLT,SET	1	



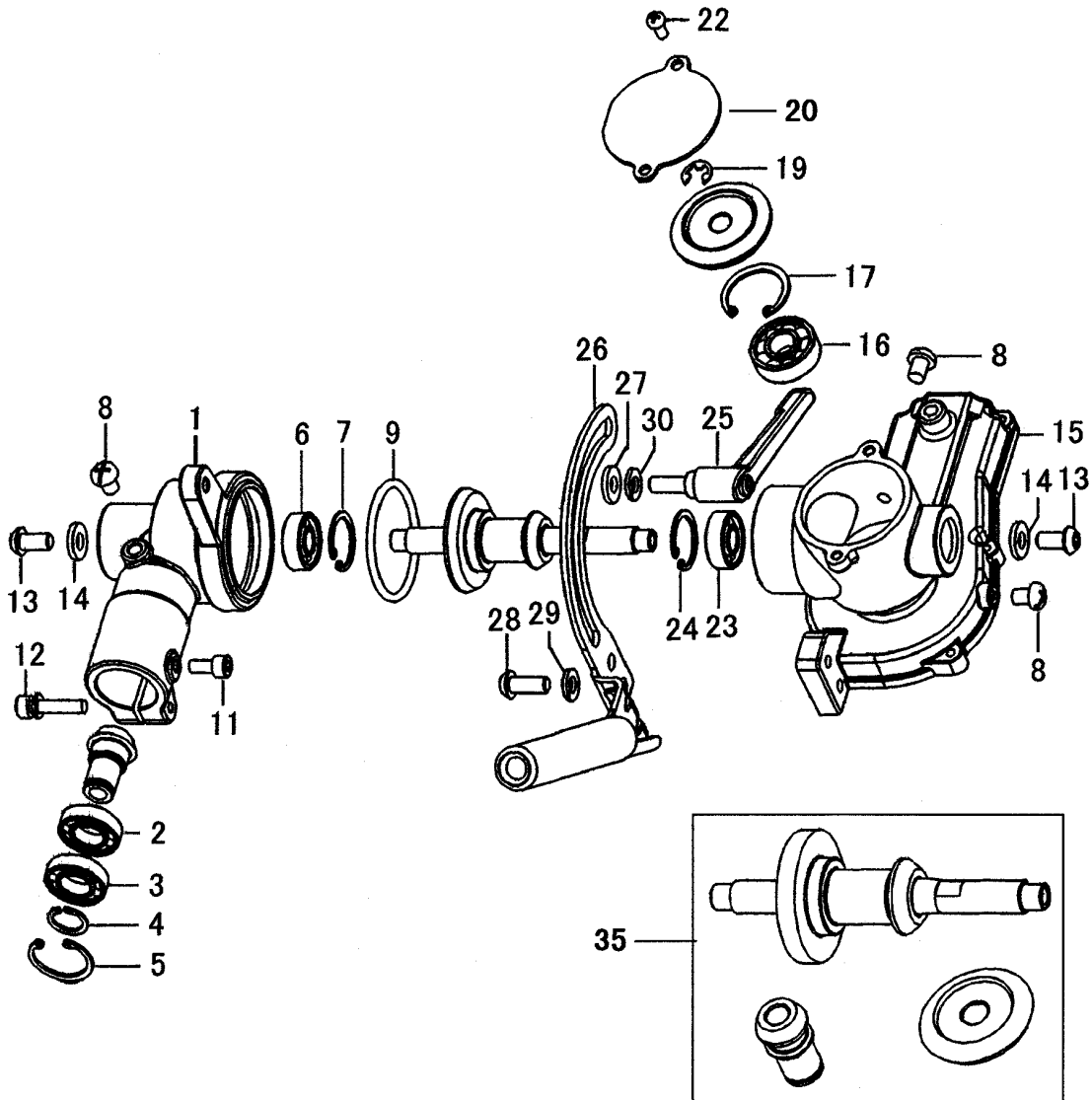
ITEM	PART NUMBER	DESCRIPTION	QTY	COMMENTS
4-0	4550168091	SET,CARBURETOR	1	
4-1	51425100200	SCREW,THROTTLE SET	2	
4-4	54425164200	STAY,ADJUST,CABLE	1	
4-5	53925120200	SWIVEL	1	* Contained in Carb Repair Kit P/N 650-25124-900 (not available individually)
4-7	48925100200	RING,STOP	1	
4-10	55025100200	O-RING	1	
4-11	5992001W38	JET,MAIN LONG #38	1	
4-12	57725100200	GASKET,PUMP	1	
4-13	57625100200	DIAPHRAGM,PUMP	1	
4-16	57825007200	SCREEN,INLET	1	
4-17	5752514780	BODY,PUMP ASS'Y	1	
4-18	4752503820	GASKET,DIAPHRAGM	1	
4-19	47425001800	DIAPHRAGM,METERING	1	
4-20	47625004200	COVER,DIAPHRAGM	1	
4-21	54825101200	SCREW,SET	4	
4-22	61425137200	ADJUSTER,CABLE	1	
4-23	99101060013	NUT,6	1	
4-24	4310634C200	GASKET,CLEANER	1	
4-41	5492516520	WASHER,THRUST	1	



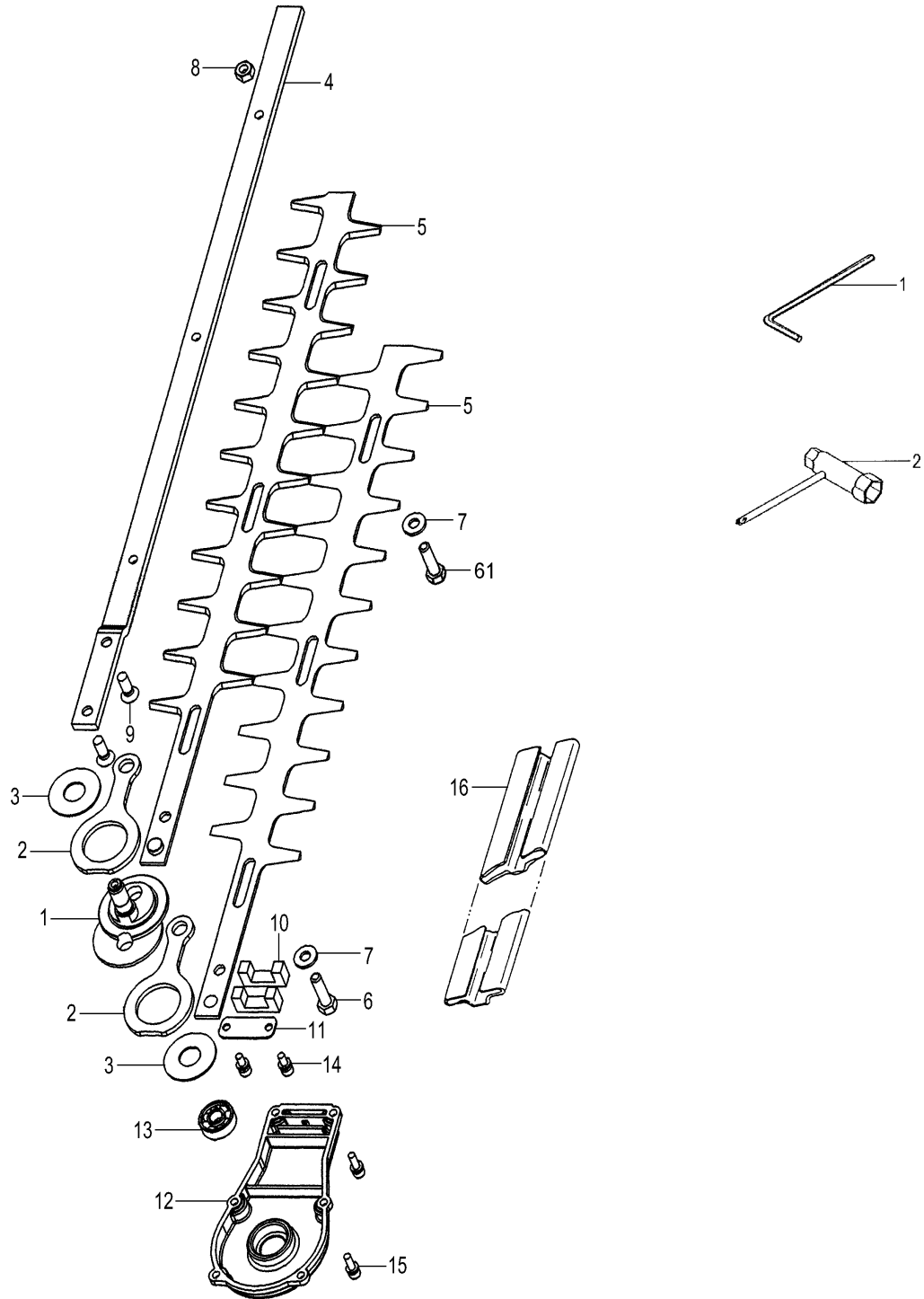
ITEM	PART NUMBER	DESCRIPTION	QTY	COMMENTS
5-1	2890098080	DRUM,CLUTCH	1	
5-3	99350012002	RING,STOP,C-12 EX	1	
5-5	5990098021	CUSHION,RUBBER	1	
5-6	99051050163	BOLT,HEX,5X16	1	
5-8	99461050254	BOLT,HEX HOLE,5X25S	1	
5-11	1120168080	CASE,FAN	1	Includes bearings
5-15	3600099020	HOLDER,PIPE	1	
5-20	20311660200	GROMMET,PRIMARY CORD	1	
5-26	99201050061	WASHER,5	1	
5-27	3243735020	WASHER,GEAR CASE	1	
5-28	3610099020	FITTING,METAL	1	

THROTTLE LEVER, HANDLE, DRIVE SHAFT • FIGURE 6

ITEM	PART NUMBER	DESCRIPTION	QTY	COMMENTS
6-1	34337300200	SHAFT,DRIVE	1	
6-2	3413760181	PIPE,DRIVE SHAFT	1	
6-3	34737601900	BUSHING,ASS'Y	6	
6-4	99101060041	NUT,6	2	
6-5	5003728620	HANDLE	1	
6-6	50637300200	BRACKET,HANDLE,A	1	
6-7	5033738E20	GRIP,HANDLE	1	
6-8	99023060351	BOLT,6X35 PLUS	2	
6-10	99311052012	SCREW,TAPPING 5X20	1	
6-11	36832350200	WASHER,BRAKE SHAFT	1	
6-25	8703840090	LEVER,THROTTLE ASSY	1	
6-83	8853840080	WIRE,THROTTLE W/SWITCH	1	
6-98	2533840020	LEVER,SAFETY	1	
6-100	8323840020	SPRING,RETURN	1	
6-103	8813840080	STOPPER,THROTTLE	1	
6-110	99431050203	SCREW 5X20	2	
6-111	99101050043	NUT,5	2	
6-112	9934604020	SCREW, 4X20	4	
6-125	8803840020	LEVER,THROTTLE	1	

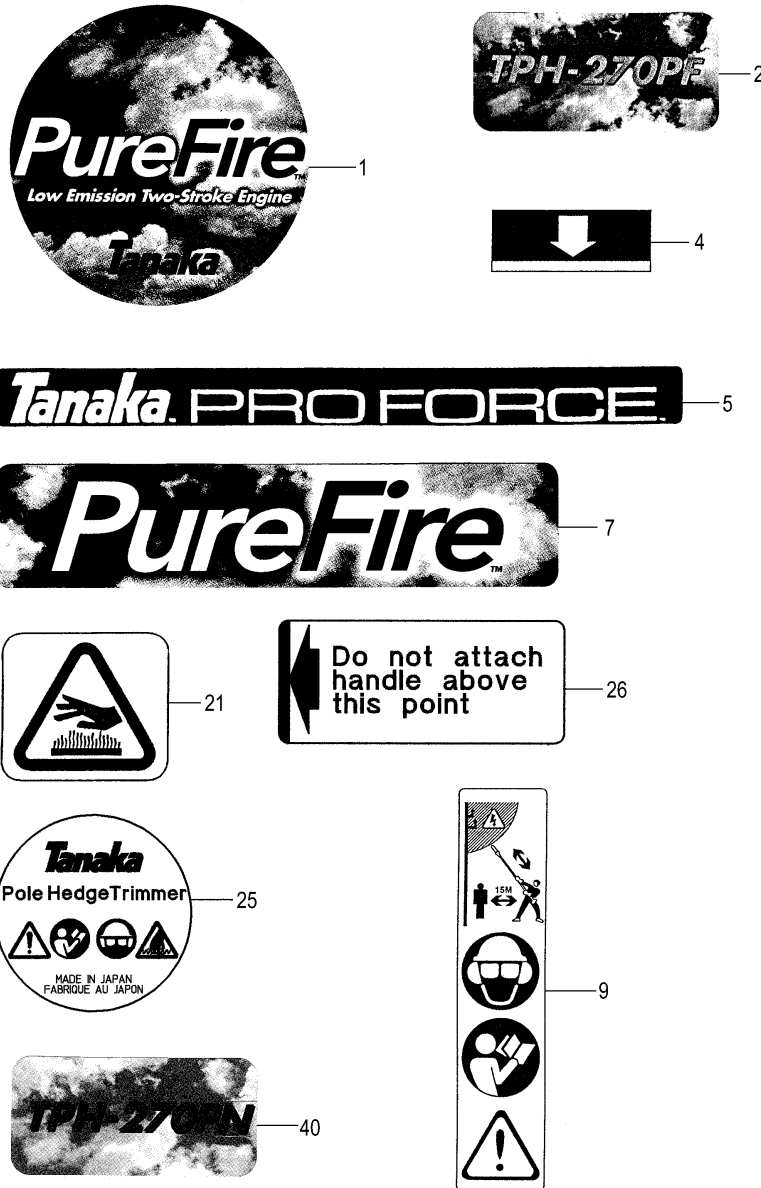


ITEM	PART NUMBER	DESCRIPTION	QTY	COMMENTS
7-1	3003228020	CASE, GEAR, A 24mm	1	
7-2	99961690100	BEARING, BALL, #6901	1	
7-3	99961690101	BEARING, BALL, #6901ZZ	1	
7-4	99352012002	RING, STOP, S12, OUTER	1	
7-5	99351024002	RING, STOP, C-24, IN	1	
7-6	99961608002	BEARING, BALL, #608Z	1	
7-7	99351022002	RING, STOP, C22, IN	1	
7-8	99431060081	SCREW, 6X8	3	
7-9	99967041000	O-RING, P-41	1	
7-10	99413060101	SCREW, PLUS, 6x10P	1	S/N U288322 and after
7-11	99051050103	BOLT, HEX HOLE, 5X10	1	
7-12	99461050224	COVER, GEAR CASE "B"	1	
7-13	99053060125	SCREW, HEX HOLE 6X12	2	
7-14	87132600200	WASHER, SPECIAL, B	2	
7-15	3013228022	GEAR CASE B	1	Before S/N U288321
7-15	3013228023	CASE, GEAR, B	1	S/N U288322 and after
7-16	99961600000	BEARING, BALL, #6000	1	
7-17	99351026002	RING, STOP, IN, C-26	1	
7-19	99355060000	RING, STOP, E6	1	
7-20	3273228020	COVER, GEAR CASE A	1	
7-22	99011040081	SCREW, 4X8	2	
7-23	99961608002	BEARING, BALL, #608Z	1	
7-24	99351022002	RING, STOP, C22, IN	1	
7-25	0493228080	HANDLE	1	
7-26	0333228081	GUIDE, SLIDE	1	See Bulletin #PI 3111
7-27	87132600200	WASHER, SPECIAL, B	1	
7-28	99210060062	WASHER, S, 6	1	
7-29	99053060153	BOLT, HEX, 6X15	2	
7-30	99210060062	WASHER, S, 6	2	
7-35	3023228091	SET, GEAR & PINION	1	See Bulletin #PI 3097
7-44	0863228620	SEAL, GREASE, B	1	S/N U288322 and after



ITEM	PART NUMBER	DESCRIPTION	QTY	COMMENTS
8-1	1003228021	SHAFT,CAM	1	
8-2	1013316022	ROD,CAM	2	
8-3	0753228020	PLATE,GUIDE	2	
8-4	1223316021	GUIDE,CUTTER 625MM	1	~A290200
8-4	1223228621	GUIDE,CUTTER	1	A290201~
8-5	CB-21A	BLADE,CUTTER,THT-210/2100	2	~U288058
8-5	1203228721	CUTTER,A	2	U288059~
8-6	1243320221	BOLT,CUTTER FIXING,A	4	~A290200
8-6	1243228720	BOLT,FIXING,A	4	A290201~
8-7	12933202201	WASHER,7	4	
8-8	1233317A20	NUT,CUTTER FIXING	4	~A290200
8-8	40927	NUT,FLANGE,M6	4	A290201~
8-9	99052060165	BOLT,HEX,6X16	2	
8-10	08533160200	SEAL,GREASE A	1	
8-11	1053228020	HOLDING,PLATE	1	
8-12	3283328021	COVER,GEAR CASE "B"	1	
8-13	99961608004	BEARING,BALL,608DD	1	
8-14	99461040104	BOLT,HEX,4X10,S	2	
8-15	99461040124	BOLT,HEX 4X12	6	
8-16	13833160200	COVER,CUTTER,22"	1	
8-61	1253228720	BOLT,CUTTER FIXING,B	3	A290201~

ITEM	PART NUMBER	DESCRIPTION	QTY	COMMENTS
0-1	81320000200	WRENCH,HEX,4	1	
0-2	03629331501	SPANNER,COMBI	1	



ITEM	PART NUMBER	DESCRIPTION	QTY	COMMENTS
9-1	9060168020	PLATE, NAME, PUREFIRE	1	
9-2	9064229020	PLATE, NAME, TPH-270PF	1	
9-4	92337400200	DECAL, LEVEL	2	
9-5	95137503200	DECAL, PRO-FORCE B	1	
9-7	9293810020	DECAL, SYMBOL, PF	1	
9-9	9073230420	DECAL	1	
9-21	9210168120	DECAL, CAUTION	1	
9-25	9193229020	DECAL, A	1	
9-26	9233738F20	DECAL, LEVEL	1	
9-40	9064229320	DECAL, TPH-270PN	1	



Date: September 2000

Model & Serial: **TPH-200, TPH-270PF, and TPH-270PN**
All units produced after serial number **V096770**.

Reason: The slide guide on these models has been widened to add strength.

Part Number Changes:

Old Part #	New Part #	Description	Remarks
033-32280-80	033-32280-81	Slide Guide	

Tanaka is marketed exclusively by:



Date: January, 2002

Model & Serial: All THT, HTD, HTS, TPH hedgetrimmer models.

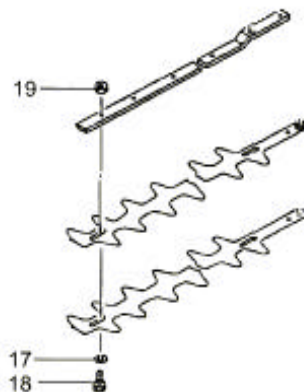
All units after serial number Y004401

Reason: All future production of hedgetrimmer models will utilize a blade-retaining nut that is of the locking variety. These nuts are oblong on one side to prevent loosening during use, but can be removed and re-installed without losing their locking ability.

When adjusting blade-fastening hardware, thread the bolt (18) through the blades and guide bar from the bottom, to a point where the flat washer (17), is still able to rotate, (usually to seat, and then backed off between 1/4 and 1/2 revolution). Then install the lock nuts on the topside, tightening them while holding the bolt in place. Tighten all nuts, and then re-check for adjustment prior to operation. A lubricating agent, such as WD-40 should also be used to prevent sap build-up and premature wear.

Part Number Changes:

Old Part #	New Part #	Description	Remarks
123-33202-200	123-3317A-20	Lock Nut	Reference #19



Tanaka is marketed exclusively by:

