

Tanaka Illustrated Parts Manual

Model Number:

TPE-270PF/PN
26cc Portable Edger

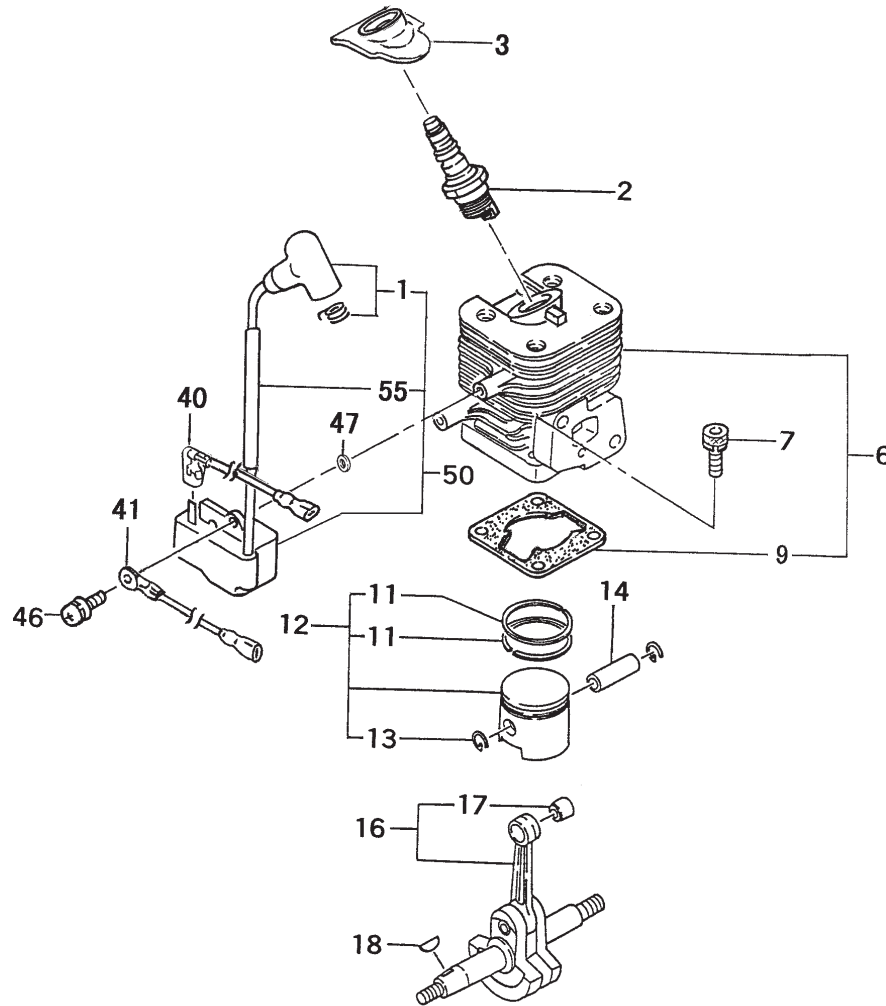
P/N 29249

Rev 001

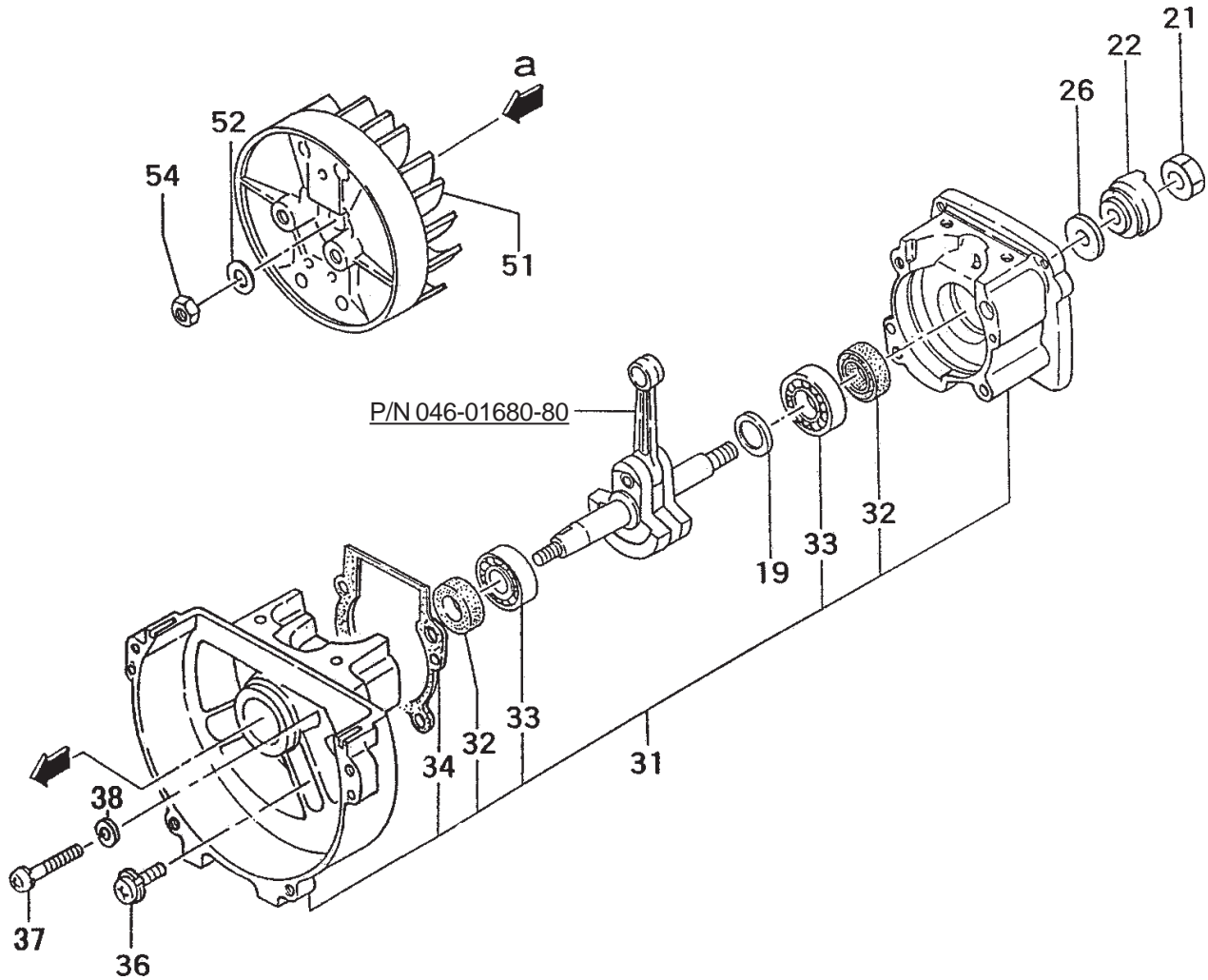
Date 5-7-07



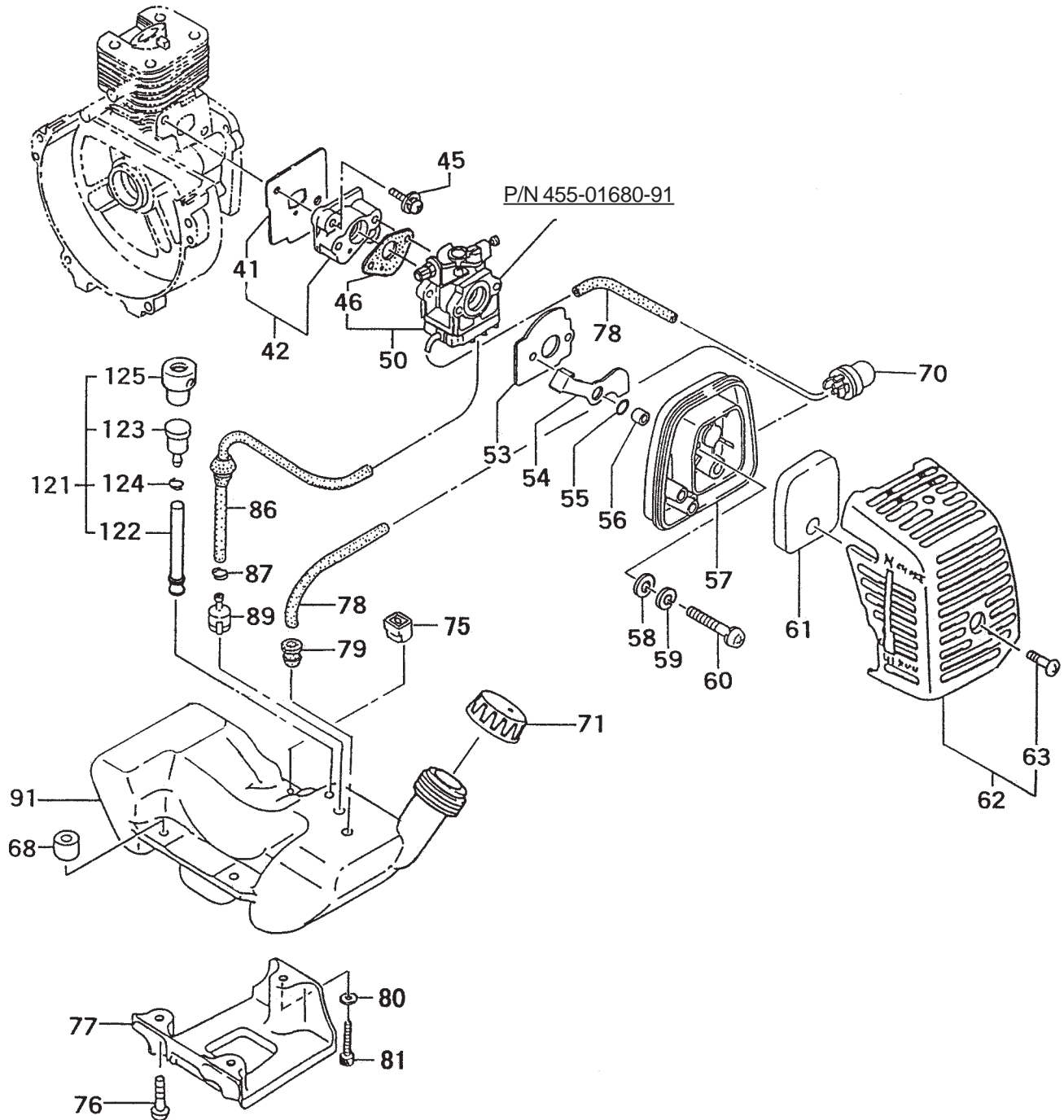
Nikko Tanaka Engineering U.S.A.,Ltd. • 1028 4th Street SW, Bldg B • Auburn, WA 98001 • Phone: (253) 333-1200 • Fax: (253) 333-1212



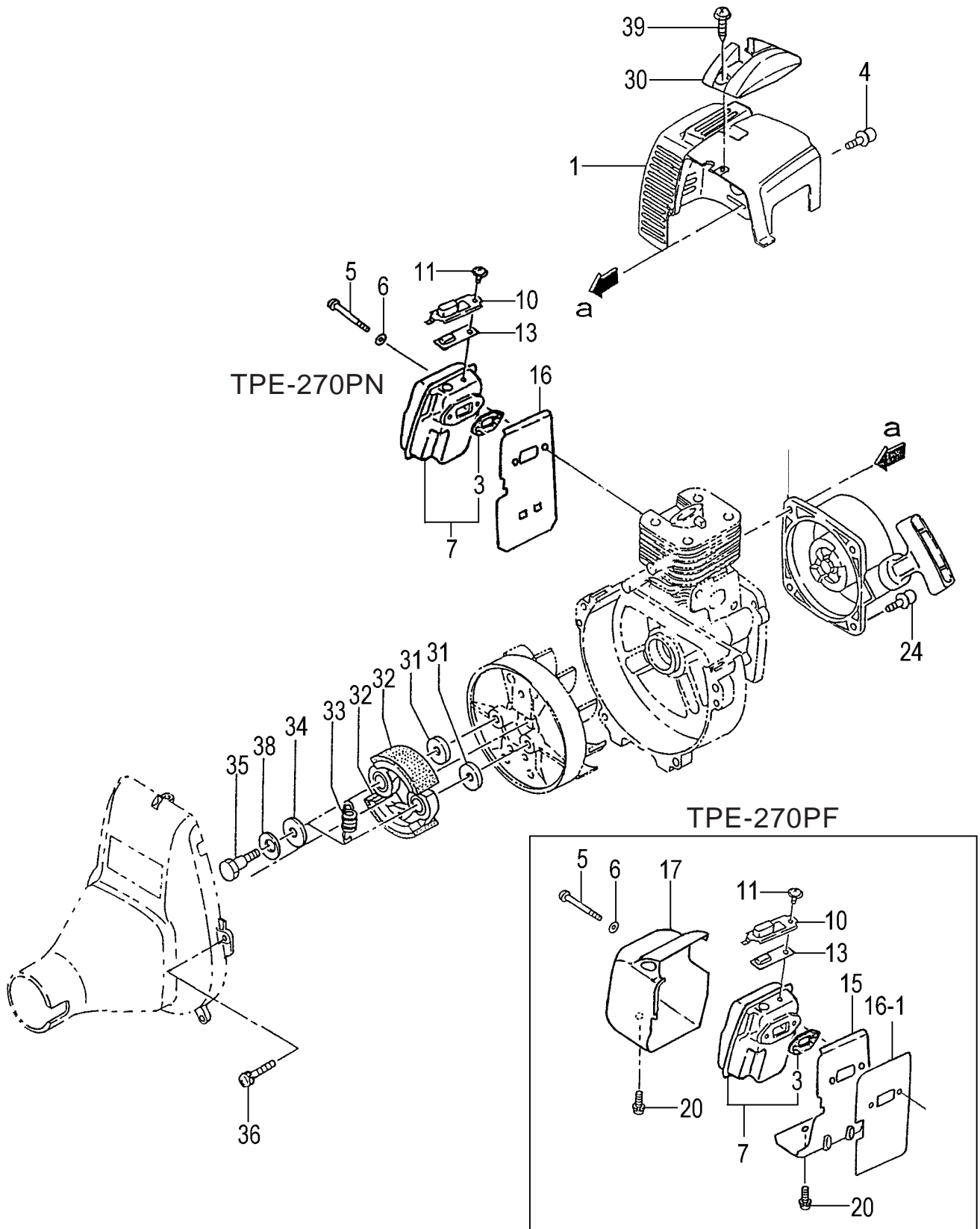
ITEM	PART NUMBER	DESCRIPTION	QTY	COMMENTS
1	157-01680-90	CAP, SPARK PLUG ASS'Y	1	
2	018-11610-21	PLUG, SPARK	1	
3	255-01680-20	COVER, SPARK PLUG, RUBBER	1	
6	001-01680-90	SET, CYLINDER	1	
7	994-61050-184	BOLT, HEX, 5X18, S	4	
9	017-01680-200	GASKET, CYLINDER	1	
11	041-01601-200	RING, PISTON	2	
12	030-01680-90	SET, PISTON	1	
13	039-00000-201	CIRCLIP, PISTON PIN	2	
14	037-01700-200	PIN, PISTON	1	
16	046-01680-80	CRANKSHAFT	1	
17	999-62091-325	BEARING, NEEDLE, F-910	1	
18	068-10100-200	KEY, WOODRUFF, 3X13X4.5	1	
40	178-01680-80	CORD, STOP	1	
41	274-01680-80	CORD, EARTH	1	
46	994-16040-186	SCREW, WS, 4X18	2	
47	182-0186A-201	WASHER, SPECIAL	2	
50	167-21743-90	COIL, IGNITION ASS'Y	1	
55	250-01680-20	TUBE, INSULATOR	1	



ITEM	PART NUMBER	DESCRIPTION	QTY	COMMENTS
19	330-00200-210	SHIM,12.2X19X.10	1	*Shims are "as needed" to obtain correct side clearance
19	330-00200-220	SHIM,12.2X19X.15	1	
19	330-00200-230	SHIM,12.2X19X.20	1	
19	330-00200-240	SHIM,12.2X19X.30	1	
21	991-01080-011	NUT,8	1	
22	798-01630-200	PULLEY,STARTER	1	
26	359-10112-203	WASHER,CLUTCH B	1	
31	072-01680-90	CRANKCASE,ASSY	1	*Crankcase assy includes, bearings, seals and gaskets
32	999-66122-206	SEAL,OIL,#TC12227	2	
33	999-61600-100	BEARING,BALL,#6001	2	
34	090-01680-20	GASKET,CRANKCASE	1	
36	994-14050-251	SCREW,5X25	2	
37	990-11050-381	SCREW,5X38	2	
38	992-10050-012	WASHER,S,5	2	
51	155-21743-80	ROTOR,MAGNETO	1	* Magneto includes starter pawls
52	992-00080-011	WASHER,8	1	
54	991-01080-011	NUT,8	1	

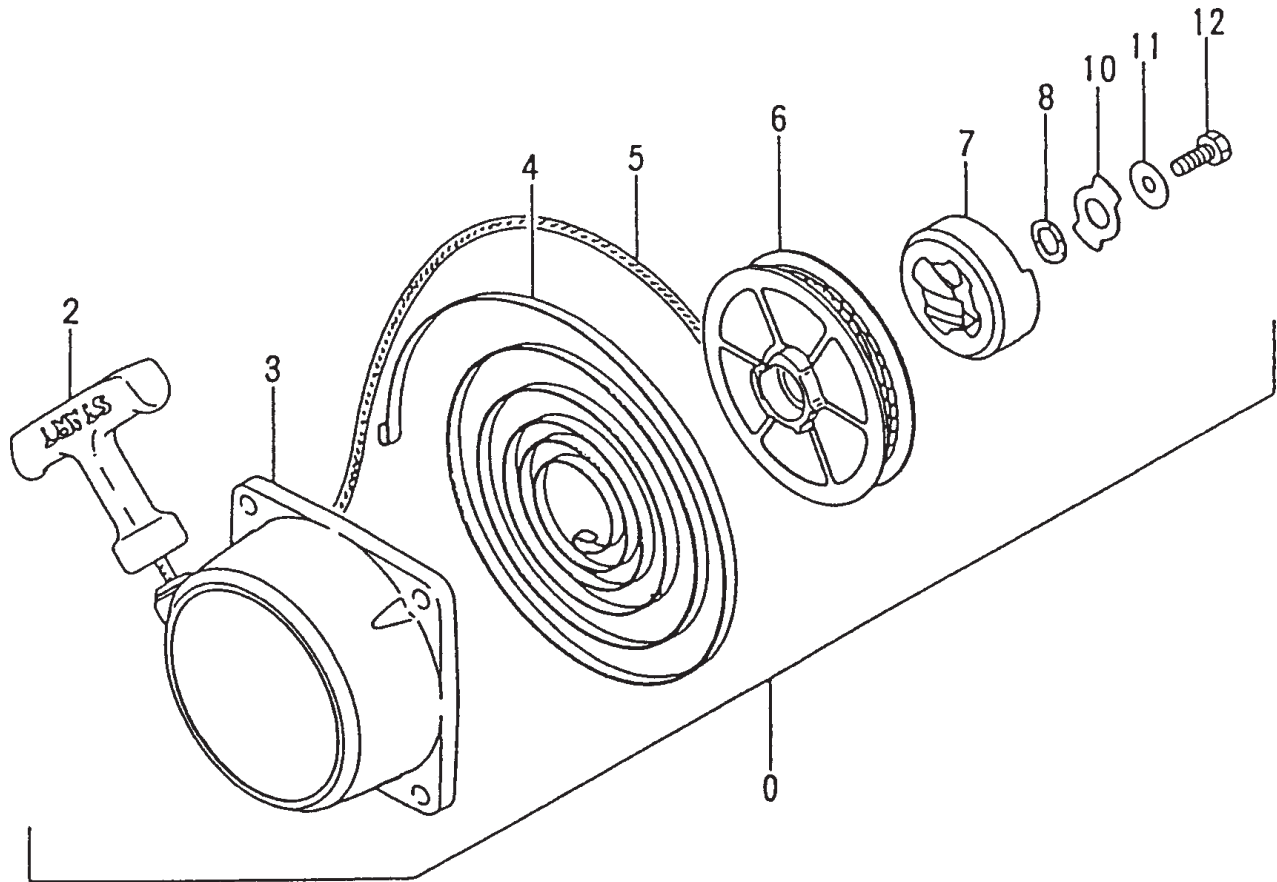


ITEM	PART NUMBER	DESCRIPTION	QTY	COMMENTS
41	403-0097A-21	GASKET, INLET MANIFOLD	1	
42	404-0097A-90	SET, CARB INSULATOR	1	
45	994-16050-241	SCREW 5x24WS	2	
46	402-0602K-21	GASKET, CARBURETOR	1	
50	455-01680-91	SET, CARBURETOR	1	
53	436-0162V-20	BASE, CLEANER	1	
54	528-01680-20	VALVE, CHOKE	1	
55	999-67008-012	O-RING, S-8	1	
56	470-0602N-200	COLLAR, CLEANER	1	
57	423-0637C-800	BODY, CLEANER	1	
58	992-00050-011	WASHER, SMALL, 5	2	
59	992-10050-012	WASHER, S, 5	2	
60	990-11050-602	SCREW, 5X60	2	
61	446-0637C-200	ELEMENT, CLEANER	1	
62	452-01680-90	SET, CLEANER COVER	1	
63	380-0637C-200	BOLT, CLEANER COVER	1	
68	659-04300-20	COLLAR C	3	
70	442-25143-800	PUMP, PRIMING	1	
71	595-01680-90	CAP, TANK ASS'Y	1	
75	649-01680-20	COLLAR, TANK FIXING	1	
76	994-63050-204	BOLT, HEX 5X20	2	
77	940-04300-20	STAND, ENGINE	1	
78	700-02504-080	PIPE, FUEL, 2.5X4X80	2	
79	534-32710-200	GROMMET, FUEL PIPE	1	
80	992-01050-061	WASHER, 5	1	
81	994-61050-304	BOLT, HEX, 5X30S	1	
86	223-0162V-900	PIPE, FUEL, ASS'Y	1	
87	680-00731-201	CLIP 6.3	1	
89	675-04042-80	FILTER, FUEL	1	
91	591-01685-20	TANK	1	
121	564-00070-90	VENT, AIR ASSY	1	
122	565-05032-20	PIPE, AIR VENT	1	
123	646-3252L-90	AIR VENT VALVE ASSY	1	
124	680-00731-201	CLIP 6.3	1	
125	561-00070-20	COVER, AIR VENT	1	

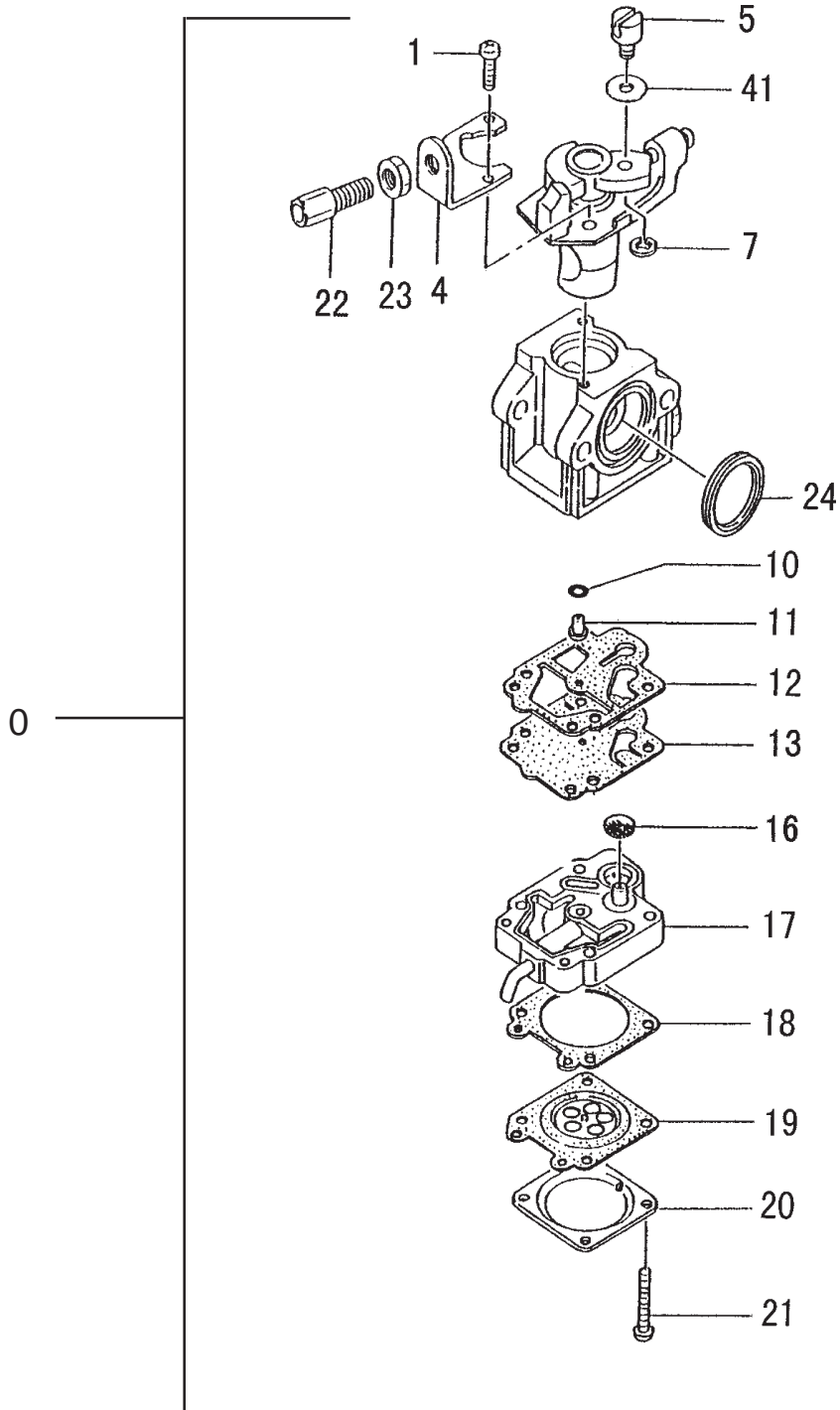


MUFFLER, CLUTCH, COVER • FIGURE 4

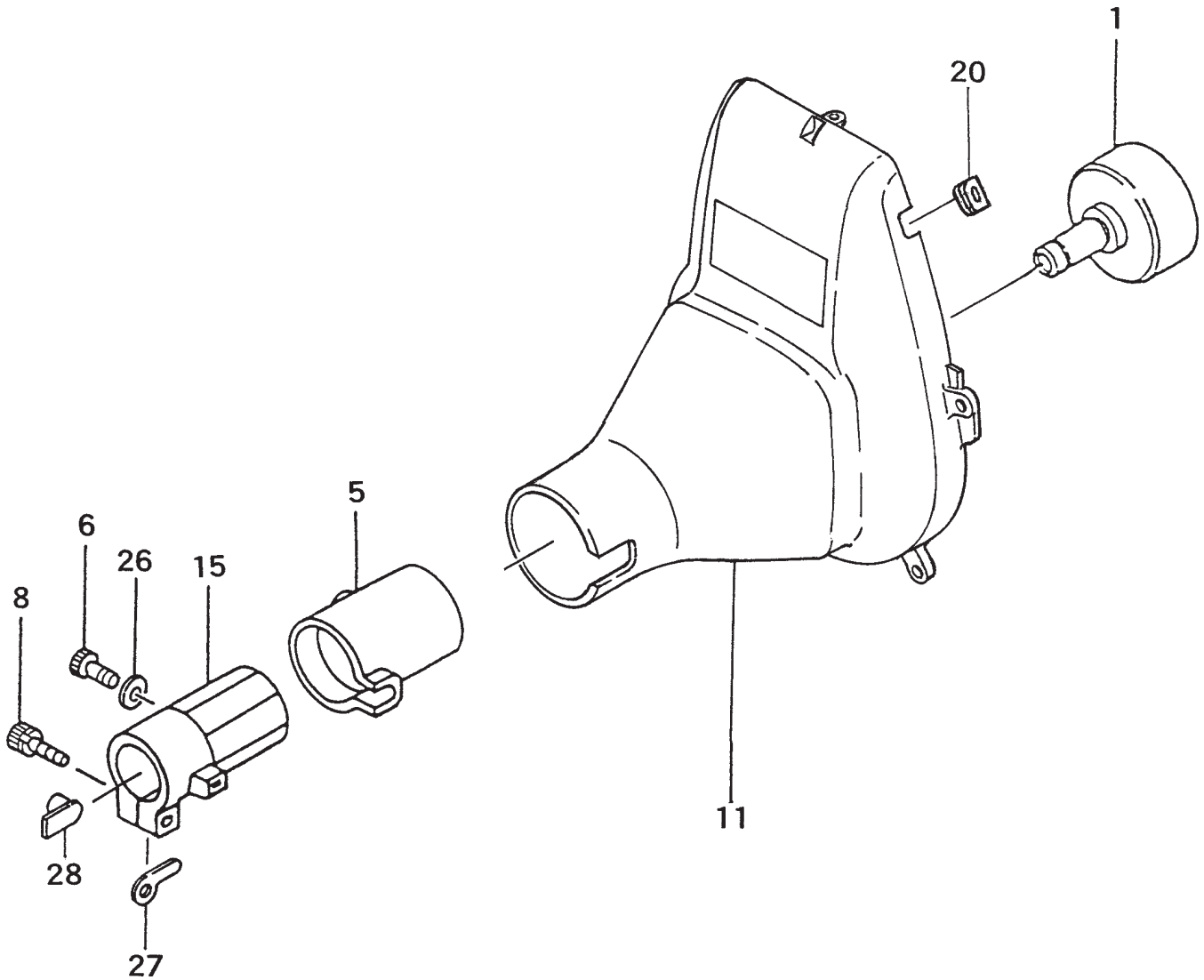
ITEM	PART NUMBER	DESCRIPTION	QTY	COMMENTS
4-1	7380168120	PROTECTOR,MUFFLER	1	
4-3	7370168020	GASKET,MUFFLER	1	TPE-270PF
4-3	7370165A201	GASKET,MUFFLER	1	TPE-270PN
4-4	99415040182	SCREW,PS,4X18	2	
4-5	99053060653	SCREW,HEX,6X65	2	
4-6	99201060011	WASHER,6	2	
4-7	7040168090	SET,MUFFLER	1	TPE-270PF
4-7	7040168790	SET,MUFFLER	1	TPE-270PN
4-10	7210440020	PIPE,TAIL	1	
4-11	99434040081	SCREW,4X8/S	1	
4-13	7320440020	ARRESTER,SPARK	1	
4-15	7360168022	COVER	1	TPE-270PF
4-16	1330168020	SHIELD,HEAT	1	TPE-270PF
4-16	1330168720	SHIELD,HEAT	1	TPE-270PN
4-17	7350168080	COVER,MUFFLER A	1	
4-20	99413050081	SCREW,5X8 P	2	TPE-270PF
4-20	99415050101	SCREW,5X10/PS	2	TPE-270PF
4-24	99415040142	SCREW,4X14/PS	2	
4-30	2570168120	COVER,SPARK PLUG	1	
4-31	35902103200	WASHER,CLUTCH,B	2	
4-32	29001620800	SHOE,CLUTCH	2	
4-33	3420630B200	SPRING,CLUTCH	1	
4-34	3480602R200	WASHER,CLUTCH A	2	
4-35	3570075T200	BOLT,STEP	2	
4-36	99416050162	SCREW,5X16/WS	4	
4-38	99205080030	WASHER,8	2	
4-39	99072045164	SCREW,TAPPING,4.5X16	1	



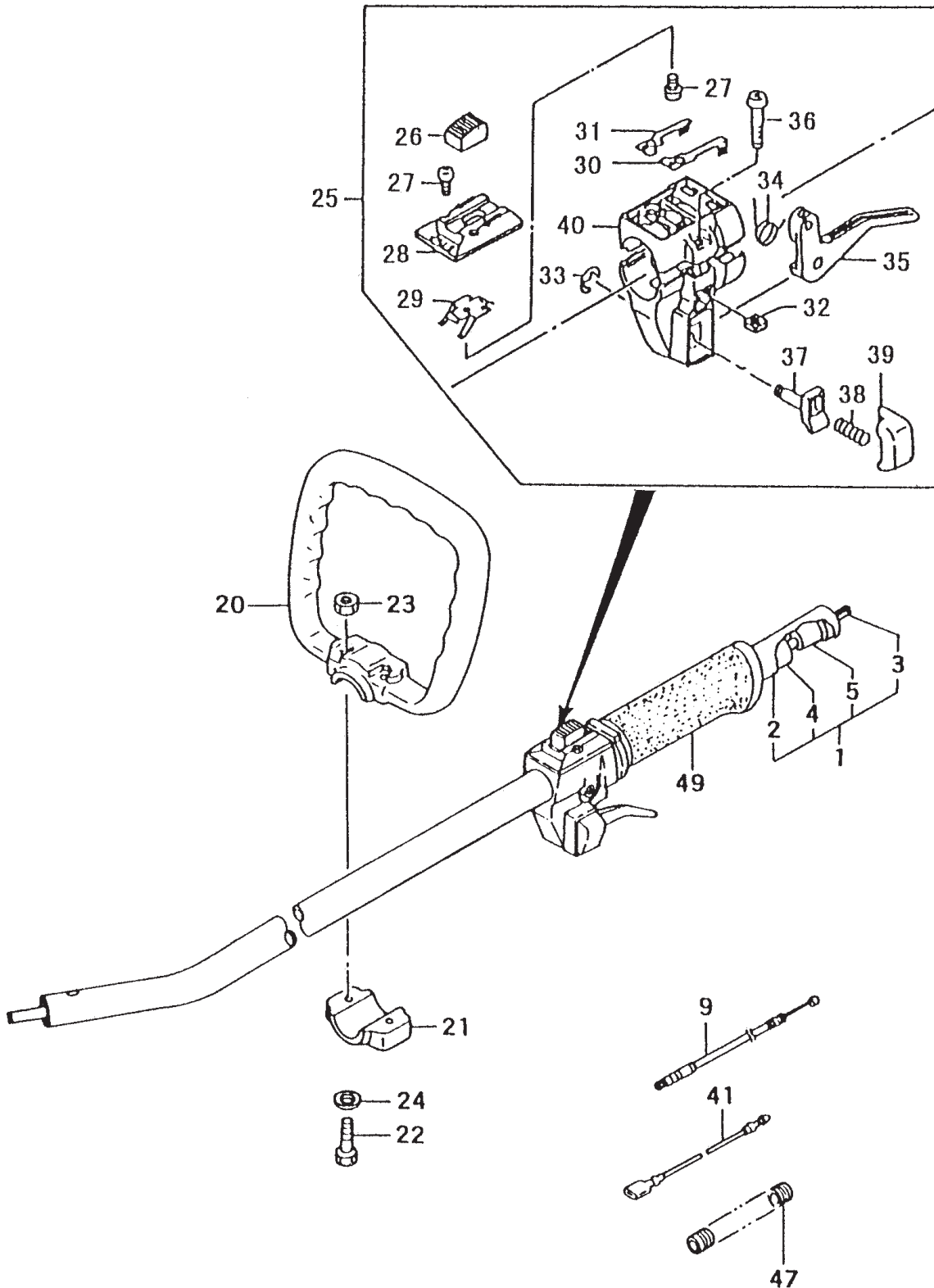
ITEM	PART NUMBER	DESCRIPTION	QTY	COMMENTS
5-0	7620094090	STARTER,RECOIL ASS'Y	1	
5-2	78500940200	HANDLE,STARTER	2	
5-3	77200940801	BODY,STARTER	1	
5-4	78000940200	SPRING,RECOIL	1	
5-5	78300940200	ROPE,STARTER	1	
5-6	77400940200	REEL,STARTER ROPE	1	Prior to S/N V218191
5-6	7740163021	REEL,STARTER ROPE	1	S/N V218191 and after
5-7	7880163021	PAWL,STARTER	1	
5-8	80105015200	WASHER,STARTER PULLEY	1	
5-10	8370501521	PLATE,FRICITION	1	
5-11	82205015200	SHIM,STARTER PULLEY	1	Prior to S/N V218191
5-11	8220423020	SHIM,STARTER PULLEY	1	S/N V218191 and after
5-12	8390423020	BOLT,SET	1	



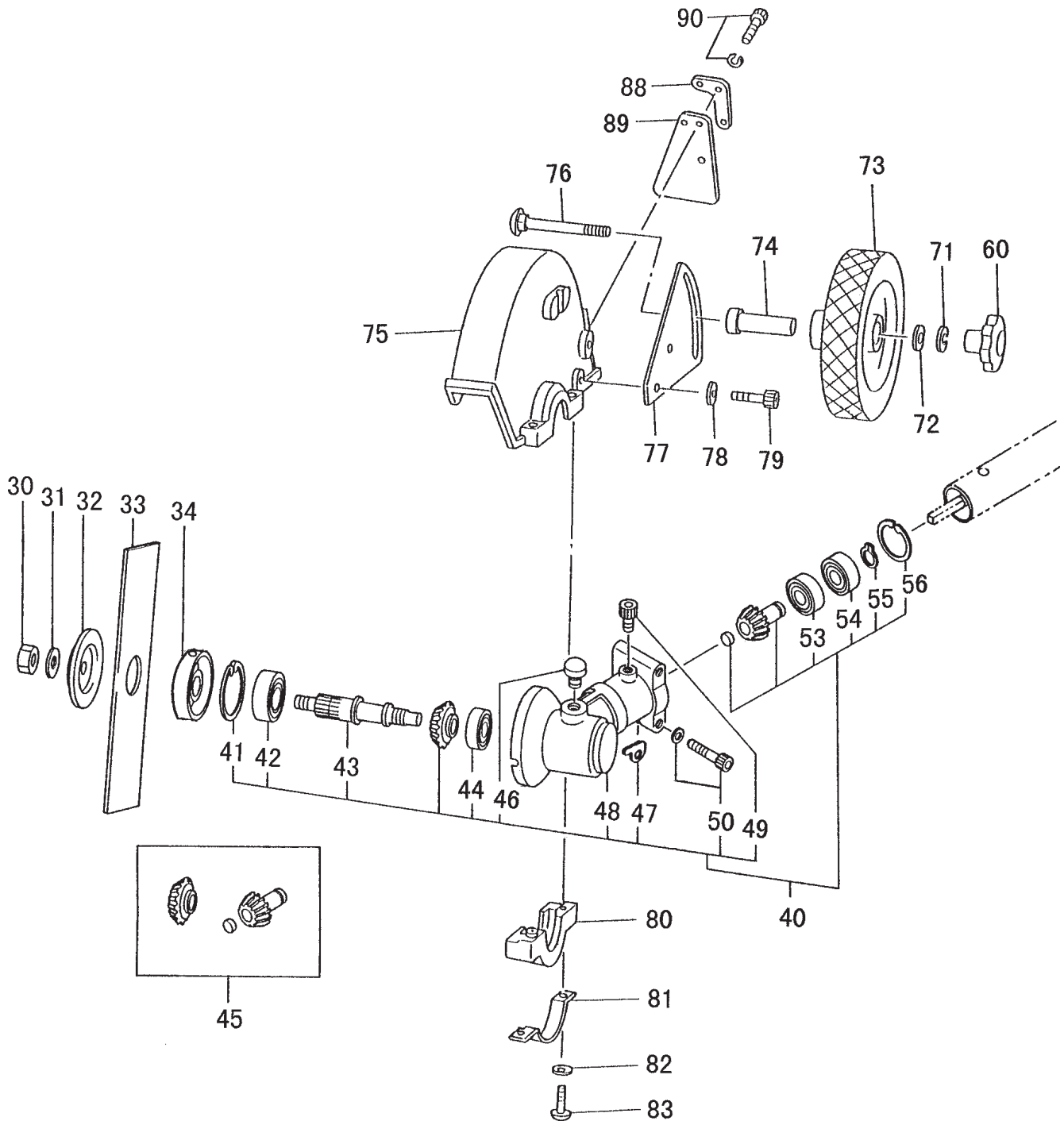
ITEM	PART NUMBER	DESCRIPTION	QTY	COMMENTS
0	4550168091	CARBURETOR SET	1	Includes gasket ~ Contained in Carburetor Repair Kit P/N 650-25124-900 (Not available individually)
1	51425100200	SCREW, THROTTLE SET	2	
4	54425164200	STAY, ADJUST, CABLE	1	
5	53925120200	SWIVEL	1	
7	48925100200	RING, STOP	1	
10	55025100200	O-RING	1	
11	5992001W38	JET, MAIN LONG #38	1	
12	~ ~ ~	*GASKET, PUMP	1	
13	~ ~ ~	*DIAPHRAGM, PUMP	1	
16	~ ~ ~	*SCREEN, INLET	1	
17	5752514780	BODY, PUMP ASS'Y	1	
18	~ ~ ~	*GASKET, DIAPHRAGM	1	
19	~ ~ ~	*DIAPHRAGM, METERING	1	
20	47625004200	COVER, DIAPHRAGM	1	
21	54825101200	SCREW, SET	4	
22	61425137200	ADJUSTER, CABLE	1	
23	99101060013	NUT, 6	1	
24	4310634C200	GASKET, CLEANER	1	
41	5492516520	WASHER, THRUST	1	



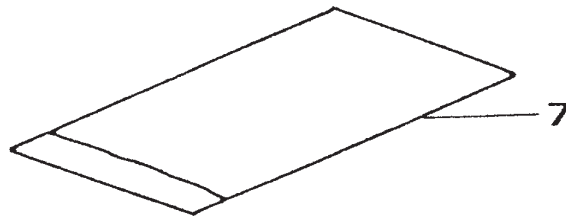
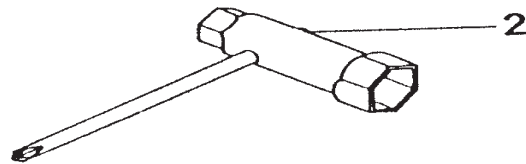
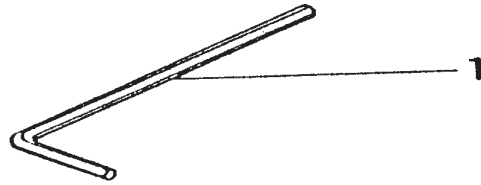
ITEM	PART NUMBER	DESCRIPTION	QTY	COMMENTS
1	289-0099E-80	CLUTCH DRUM	1	
5	599-00980-21	CUSHION,RUBBER	1	
6	990-51050-163	BOLT,HEX,5X16	1	
8	994-61050-254	BOLT,HEX HOLE,5X25S	1	
11	112-01680-80	CASE,FAN	1	
15	360-00996-20	PIPE HOLDER,TPE	1	
20	203-11660-200	GROMMET,PRIMARY CORD	1	
26	992-01050-061	WASHER,5	1	
27	324-37350-20	WASHER,GEAR CASE	1	
28	361-00990-20	FITTING,METAL	1	



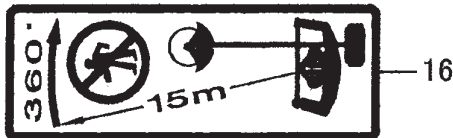
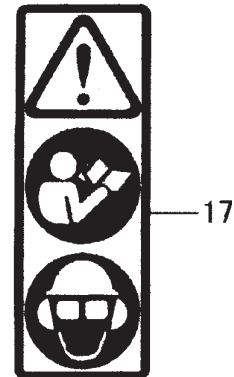
ITEM	PART NUMBER	DESCRIPTION	QTY	COMMENTS
1	353-37290-90	SET,DRIVE SHAFT PIPE	1	
2	341-37290-20	PIPE,DRIVE SHAFT	1	
3	344-37290-20	SHAFT,FLEXIBLE	1	
4	350-37290-20	LINER,FLEXIBLE	1	
5	320-37290-20	SPACER	1	
9	885-37394-80	WIRE,THROTTLE	1	
20	500-33316-20	HANDLE	1	
21	506-33316-200	BRACKET,HANDLE A	1	
22	990-23060-401	BOLT,P,6X40	2	
23	991-01060-011	NUT,6	2	
24	992-01060-011	WASHER,6	2	
25	870-37286-90	LEVER,THROTTLE ASS'Y	1	
26	162-37101-200	SWITCH,STOP	1	
27	993-42030-081	SCREW, TAPPING, 3X8	3	
28	259-37101-200	BASE,STOP SWITCH	1	
29	262-37101-200	SPRING,STOP SWITCH	1	
30	177-37101-200	TERMINAL,EARTH B	1	
31	176-37101-200	TERMINAL,EARTH A	1	
32	315-33340-20	NUT,SPECIAL	1	
33	993-55060-001	RING,STOP,6	1	
34	832-37101-200	SPRING,RETURN	1	
35	880-37101-200	LEVER,THROTTLE	1	
36	994-31050-201	SCREW,5X20	1	
37	853-37101-200	SHAFT,LOCK BUTTON	1	
38	958-37101-200	SPRING,LOCK,BUTTON	1	
39	956-37101-200	BUTTON,LOCK	1	
40	260-33317-20	BODY,STOP BUTTON,B	1	
41	178-37394-80	CORD,STOP 430mm	2	
47	164-10019-00	TUBE,PROTECTION	1	
49	504-37300-200	GRIP,SHAFT	1	



ITEM	PART NUMBER	DESCRIPTION	QTY	COMMENTS
30	991-06080-001	NUT,8/L.H.	1	
31	992-01080-011	WASHER,8	1	
32	311-37290-20	CAP,CUTTER HOLDER	1	
33	435-37290-20	BLADE,TPE-250	1	
34	310-37290-22	HOLDER,CUTTER	1	
40	300-37290-90	CASE,GEAR,ASSY	1	
41	993-51032-002	RING,STOP,C-32 IN	1	
42	999-61620-103	BEARING,BALL #6201D	1	
43	304-37290-20	SHAFT,GEAR	1	
44	999-61628-000	BEARING,BALL,#628	1	
45	301-37290-00	SET,GEAR/PINION	1	
46	994-23080-100	BOLT,8X10	1	
47	324-33410-201	WASHER,GEAR CASE	1	
48	300-37290-21	CASE,GEAR	1	
49	990-51050-103	BOLT,HEX HOLE,5X10	1	
50	994-61050-254	BOLT,HEX HOLE,5X25S	1	
53	999-61609-000	BEARING,BALL,#609	1	
54	999-61609-002	BEARING,BALL,#609Z	1	
55	993-50009-002	RING,STOP,C9	1	
56	993-51024-002	RING,STOP,C-28,IN	1	
60	210-37290-80	HANDLE,LOCK	1	
71	992-10080-012	WASHER,S,8	1	
72	992-01080-011	WASHER,8	1	
73	120-37294-80	WHEEL,TPE,6"	1	
74	049-37294-20	COLLAR	1	
75	441-37290-22	GUARD,BLADE TPE-2510	1	
76	314-37294-20	BOLT,SPECIAL	1	
77	481-37294-20	STAY,WHEEL	1	
78	992-10060-062	WASHER,S,6	2	
79	990-53060-153	BOLT,HEX,6X15	2	
80	442-37290-21	BRACKET,COVER	1	
81	445-37294-20	HOLDER,BLADE GUARD	1	
82	992-10060-062	WASHER,S,6	2	
83	990-53060-353	HEX, HOLE BOLT 6X35	2	
88	496-37290-20	HOLDER,MUD FLAP	1	
89	500-37290-20	FLAP,MUD	1	
90	994-61050-124	BOLT,HEX,5X12S	3	



ITEM	PART NUMBER	DESCRIPTION	QTY	COMMENTS
1	829-20000-80	SPANNER,COMBI,13X19	1	
2	813-20000-200	WRENCH,HEX,4	1	
7	948-39907-200	BAG,TOOL	1	



ITEM	PART NUMBER	DESCRIPTION	QTY	COMMENTS
1	906-01680-20	PLATE, NAME, PUREFIRE	1	
2	906-47295-20	PLATE, NAME, TPE-270PF	1	
3	951-31310-200	DECAL, PRO-FORCE B	1	
4	923-33700-20	DECAL, LEVEL	2	
6	919-33111-201	DECAL, CAUTION	1	
7	929-38100-20	DECAL, SYMBOL, PF	1	
16	919-37286-20	DECAL, CAUTION	1	
17	920-32466-20	DECAL, CAUTION	1	
21	921-01681-20	DECAL, CAUTION	1	