

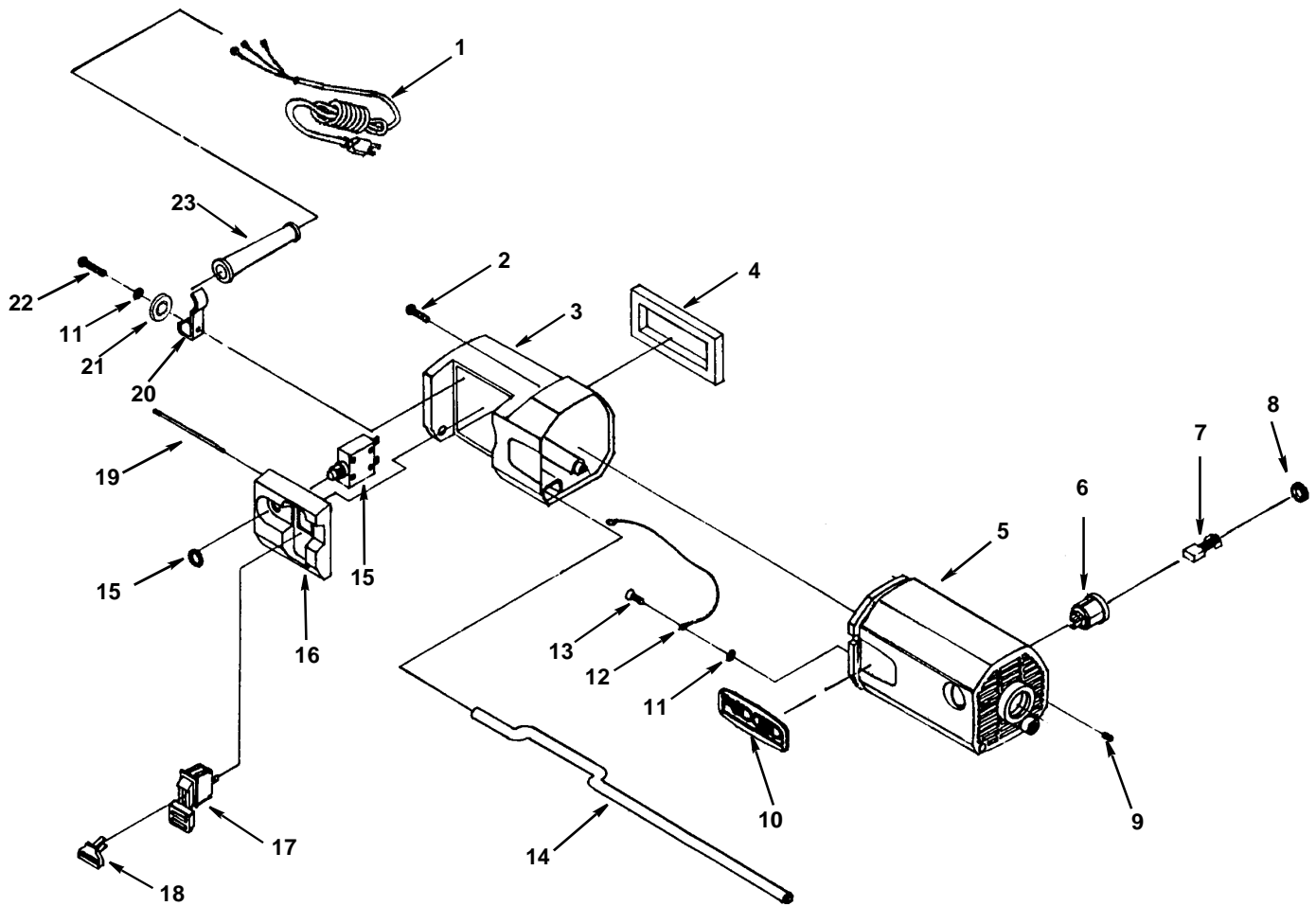
Repair Parts

Parts List for 13" Thickness Planer

Model No. TP13001

RIDGID parts are available on-line at www.ridgidparts.com

Figure 1



Always order by Part Number - Not by Key Number

Key No.	Part No.	Description
1	827808	Cord w/plug
2	820240-7	* Screw Pan Hd M5 x 0.8-20
3	827689	Housing Switch
4	827740	Gasket Foam
5	827890	Motor (Includes Brushes)
6	827809	Holder Brush
7	827811	Brush
8	827810	Cap Brush
9	821065-3	* Screw Hex Soc Set M5 x 0.8-12
10	826463-4	Label 3D RIDGID
11	820383-4	* Lockwasher M5
12	827812	Lead Ground

Key No.	Part No.	Description
13	820257-1	* Screw Pan Hd Ty "TT" M5 x 0.8-8
14	827807	Rod Motor Pivot
15	827806	Switch Reset (Includes Nut)
16	827708	Bezel Switch
17	826347	Switch Locking
18	AC1000	† Key Switch
19	827797	Screw Special
20	827798	Clamp Cord
21	827765	* Washer 5.5 x 19 x 2
22	820240-5	* Screw Pan Hd. M5 x 0.8-30
23	827799	Guard Cord

* Standard Hardware Item - May be purchased locally.

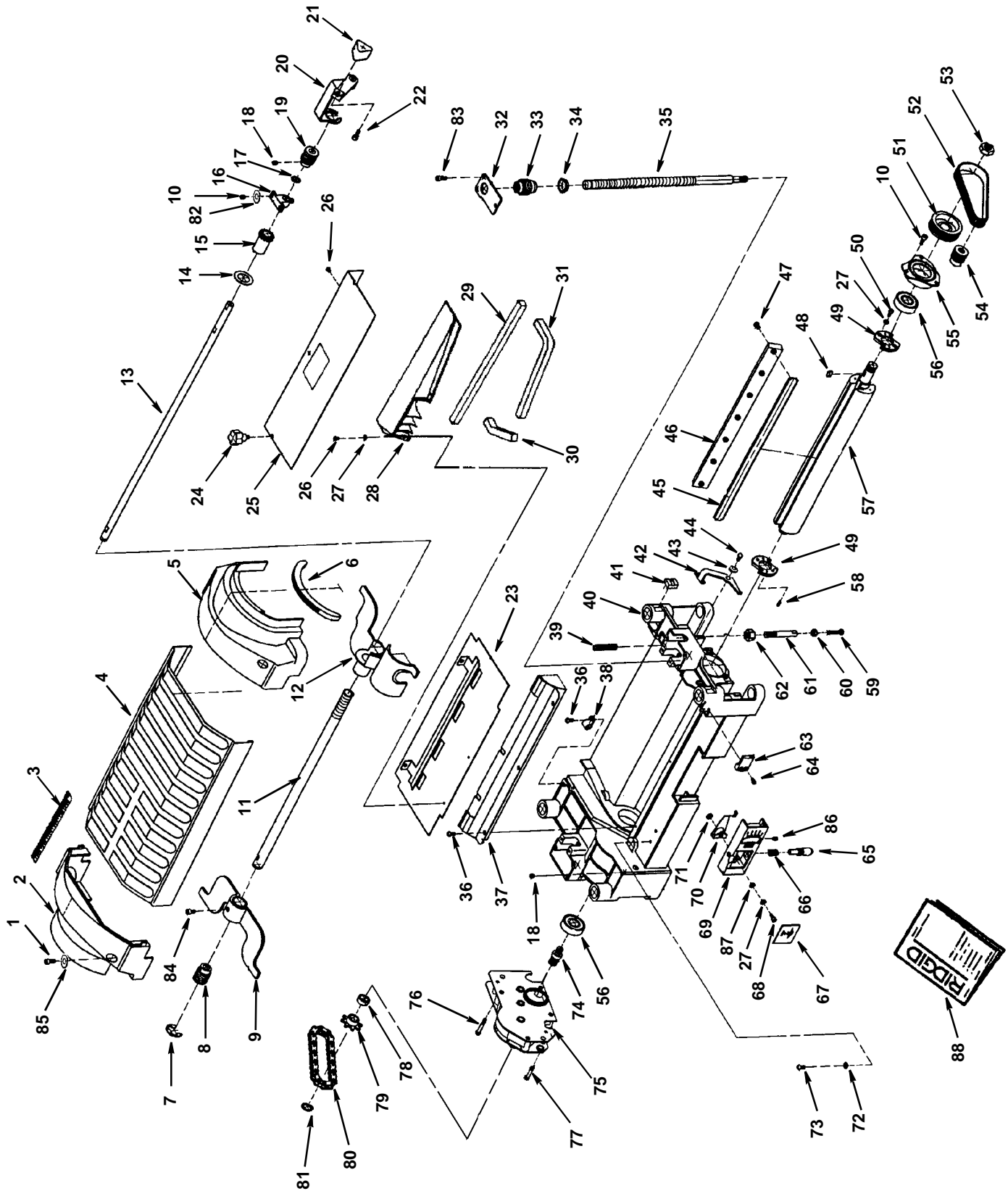
† These replacement parts are available where you purchased your Planer.

Repair Parts

Parts List for 13" Thickness Planer Model No. TP13001

RIDGID parts are available on-line at www.ridgidparts.com

Figure 2



Repair Parts

Parts List for 13" Thickness Planer Model No. TP13001

RIDGID parts are available on-line at www.ridgidparts.com

Figure 2

Always order by Part Number - Not by Key Number

Key No	Part No.	Description	Key No	Part No.	Description
1	820380-6	Scr Hex Soc Butt Hd M6 x 1.0-20	46	827711	Bar Knife Lock
2	827681	Cap Left	47	828791	Screw Knife Lock
3	827713	Scale Length	48	818654-9	* Key 5 x12mm
4	827841	Cover Upper	49	827714	Collar Knife
5	827682	Cap Right	50	818469-6	* Scr Hex Soc Cap M4 x 0.75-8
6	827741	Pad Upper	51	827787	Pulley Cutter head
7	817453-1	Ring Retaining C17	52	827793	Belt Drive
8	827769	Worm Gear L.H.	53	827788	Nut Hex M6 x 2.0 L.H.
9	827720	Plate Lock Left	54	827789	Pulley Motor
10	820379-6	* Scr Hex Soc Cap M5 x 0.8-12	55	827786	Retainer Bearing
11	827717	Sleeve	56	820722-5	Bearing Ball 6203ZZ
12	827719	Plate Lock Right	57	827680	Head Cutter (Includes Collar knife, Retainer Bearing, Bearing Ball and Gear Pinion)
13	827726	Shaft Transmission	58	813249-76	Pin Spring 3 x 8mm
14	827766	Washer 21.5 x 24 x 1	59	821151-4	* Screw Hex Hd M5 x 0.8-26
15	827724	Nut Lock M17 x 2.0	60	813164-6	* Nut Hex M5 x 0.8
16	827754	Support	61	827729	Rod Step
17	827721	* Washer 12 x 16 x 1	62	827817	Nut Special M10 x 1.5
18	821065-2	* Scr Soc Set Cup Pt M5 x 0.8-8	63	827739	Indicator Depth
19	827723	Worm Elevation	64	820401-2	Scr Pan Hd M3 x 0.5-16
20	827699	Handle	65	827733	Rod Pointer Elevating
21	827716	Knob Snipe	66	827734	Spring Coil 8.5X19X0.8
22	820379-9	* Scr Hex Soc Cap M5 x 0.8-10	67	827746	Cover Pointer
23	827695	Chute Dust	68	813312	Scr Pan Cr M4 x 0.75-10
24	827753	Knob Chute	69	827701	Housing Pointer
25	827926	Cover Shroud	70	827732	Pointer
26	813312-6	* Scr Pan Hd M4 x 0.75-6	71	827762	Nut
27	821102-1	* Washer 4.2 x 10 x 0.9	72	813314-8	Lockwasher Ext Tooth M5
28	827697	Manifold Air	73	820257-1	Scr Pan Hd TY TT M5 x 0.8-8
29	827932	Gasket Rear	74	827784	Gear Pinion
30	827930	Gasket Right	75	828677	Gear Box Asm
31	827931	Gasket Left	76	820379-8	* Scr Hex Soc Cap M5 x 0.8-35
32	827750	Cover	77	820379-5	* Scr Hex Soc Cap M5 x 0.8-30
33	827770	Worm Gear R.H.	78	827773	Spacer 15 x 20 x 7
34	827759	Bushing	79	827772	Sprocket
35	827768	Screw Elevating R.H.	80	827794	Chain
36	820240-3	* Scr Pan Hd M5 x 0.8-6	81	817453-4	Ring Retaining Ext STW15
37	827704	Plate Dust Chute	82	820383-4	Lockwasher M5
38	827767	Clamp Cord	83	828027-1	Scr Hex Soc Hd Lock M5
39	827738	Spring /Plunger	84	828027	Scr Hex Soc Hd Lock M5x0.8-12
40	827678	Frame Upper	85	820383-5	Lockwasher M6
41	827725	Block Support	86	821065-1	Scr Soc Set Cup Pt M5 x 0.8-5
42	827751	Lock Cutter Head	87	827763	Bushing 4.2 x 11 x 3
43	827737	Spacer Cutter Head Lock	88	SP6393	Owners Manual
44	820240-6	* Scr Pan Hd M5 x 0.8-12			
45	AC8630	† Knife Planer			

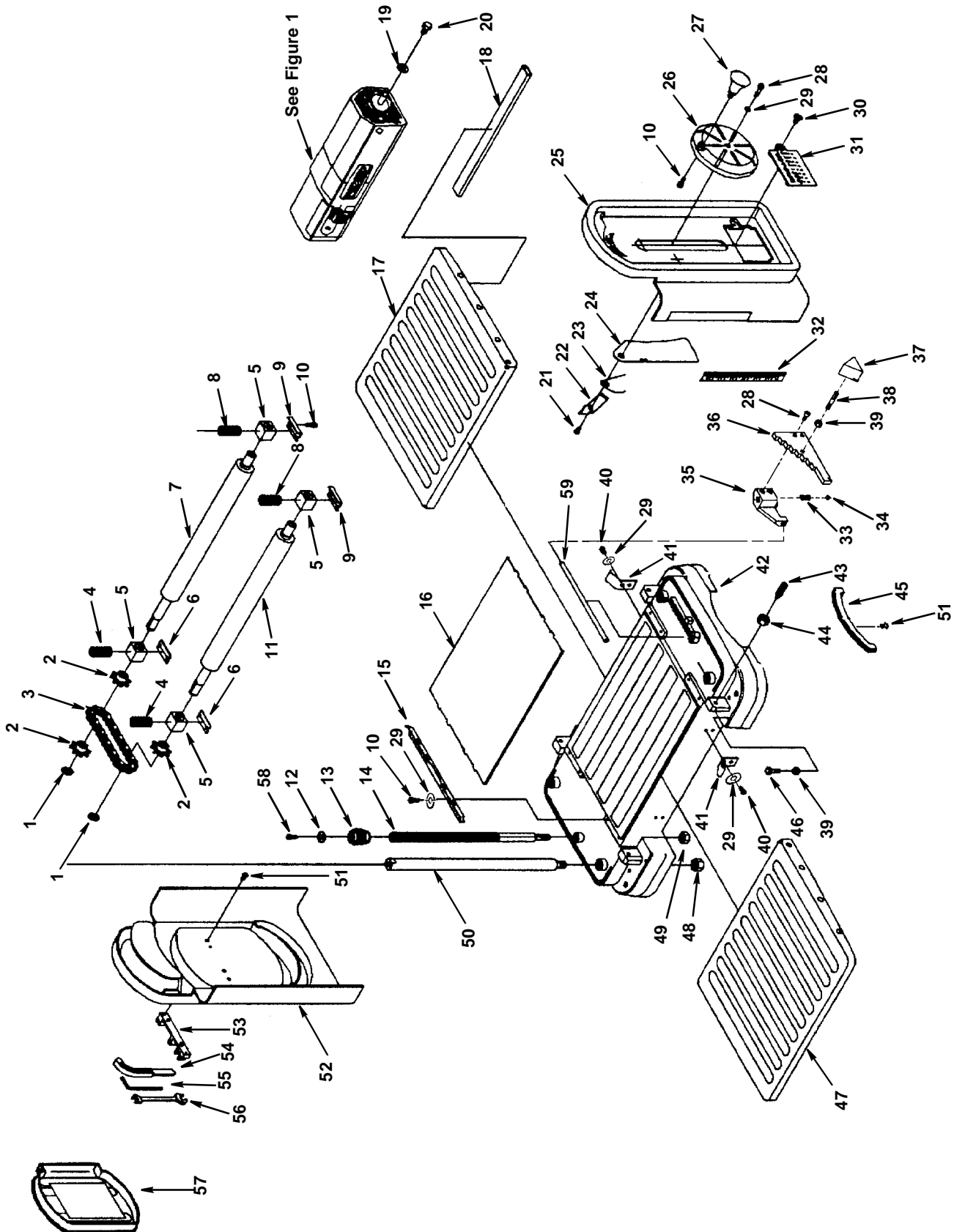
* Standard Hardware Item - May be purchased locally.

† These replacement parts are available where you purchased your Planer.

Parts List for 13" Thickness Planer Model No. TP13001

RIDGID parts are available on-line at www.ridgidparts.com

Figure 3



**Parts List for 13" Thickness Planer
Model No. TP13001**

RIDGID parts are available on-line at www.ridgidparts.com

Figure 3

Always order by Part Number - Not by Key Number

Key No	Part No.	Description
1	817453-4	Ring Retaining
2	827772	Sprocket
3	827794	Chain
4	827758	Spring Coil Left
5	827790	Block Bearing
6	827791	Plate Retainer Left
7	827693	Roller Outfeed
8	827755	Spring Coil Right
9	827792	Plate Retainer Right
10	820379-9	* Scr Hex Soc Cap M5 x 0.8-10
11	827692	Roller Infeed
12	827765	* Washer 5.5 x 19 x 2
13	827722	Worm Gear L.H.
14	827735	Screw Elevating L.H.
15	827705	Rail Guide
16	827694	Plate Wear
17	827688	Table Rear
18	827764	Case Knife (Knives not included)
19	821063-0	* Washer M8 x 23 x 2
20	813310	* Screw Hex Hd M8 x 1.25-20
21	820257-3	* Scr Pan Hd Ty "TT" M5 x 0.8-6
22	827928	Plate Stiffener
23	827744	Spring Torsion
24	827731	Plate Side Guard
25	827679	Cover Side Right
26	827696	Hub Handwheel
27	827749	Knob Handwheel
28	820379-2	* Scr Hex Soc Cap M5 x 0.8-15
29	820383-4	* Lockwasher M5
30	827929	Screw Hex Soc.FI Hd M6 x 1.0-12

Key No	Part No.	Description
31	827703	Cover Side RH
32	827715	Scale Thickness
33	827760	Spring Coil 7.62x15.75x0.7
34	823742-1	Ball Steel
35	827698	Block Guard
36	827700	Block Step
37	827743	Knob Step
38	827730	Pin Step Block
39	813164-7	* Nut Hex M6 x 1.0
40	820240-1	* Scr Pan Hd M5 x 0.8-10
41	827736	Spring Flat
42	827677	Base
43	827752	Bolt Adjustment
44	827817	Nut Hex Special M10 x 1.5
45	827742	Pad Base
46	821388-3	* Scr Hex M6 x 1.0-25
47	828028	Table Front
48	813164-10	* Nut Hex M12 x 1.75
49	817449-4	Nut Lock M10 x 1.5
50	827718	Rod Support
51	820257-1	* Scr Pan Hd Ty "TT" M5 x 0.8-8
52	827684	Cover Side Left
53	827771	Holder Tool
54	827748	Tool Knife
55	827757	* Wrench Hex "L" 4mm
56	827756	Wrench Box M8 & M10
57	827927	Cover Tool Box
58	820379-1	Scr Hex Soc Cap M5x0.8-8
59	827728	Rod Pivot

* Standard Hardware Item - May be purchased locally.