

# **Tanaka** Illustrated Parts Manual

Model Number:

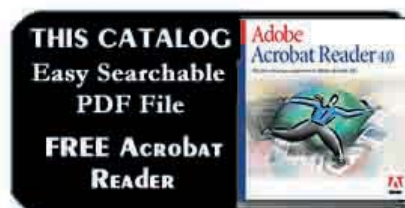
**TLE-550**

**WALK BEHIND EDGER**

P/N 12496

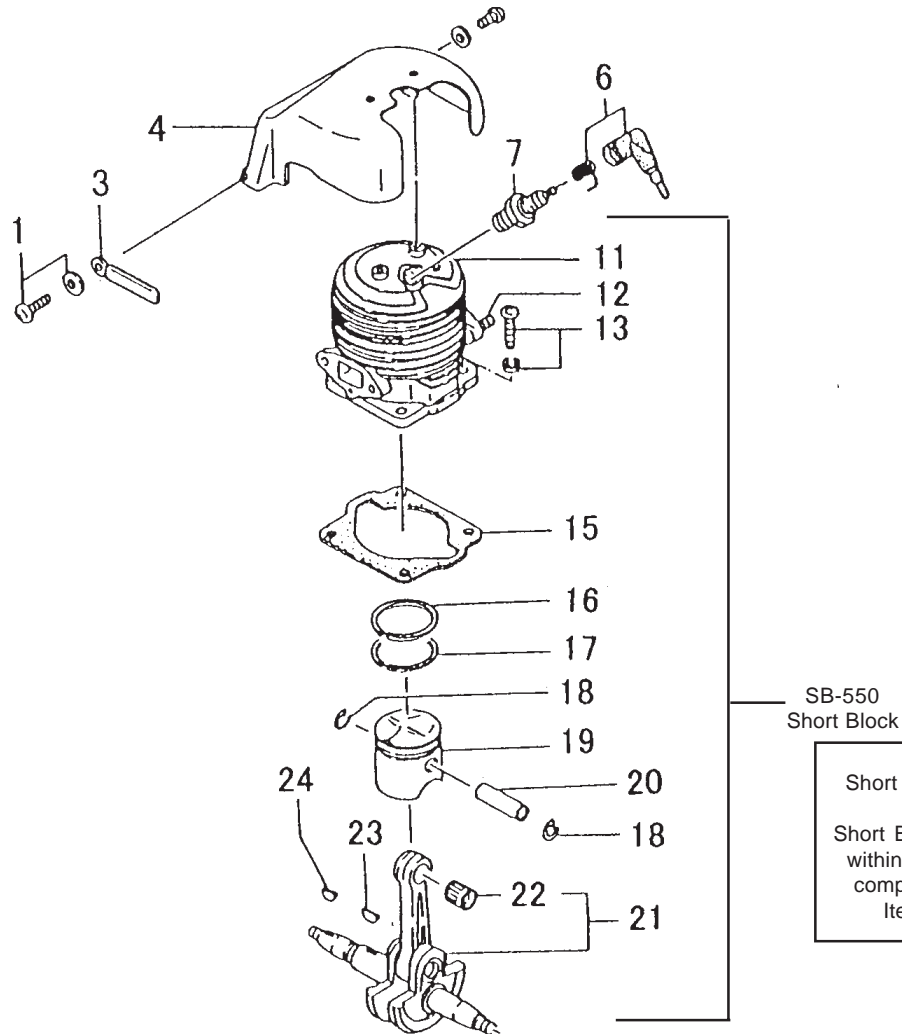
Rev 001

Date 5-15-07



Nikko Tanaka Engineering U.S.A.,Ltd. • 1028 4<sup>th</sup> Street SW, Bldg B • Auburn, WA 98001 • Phone: (253) 333-1200 • Fax: (253) 333-1212

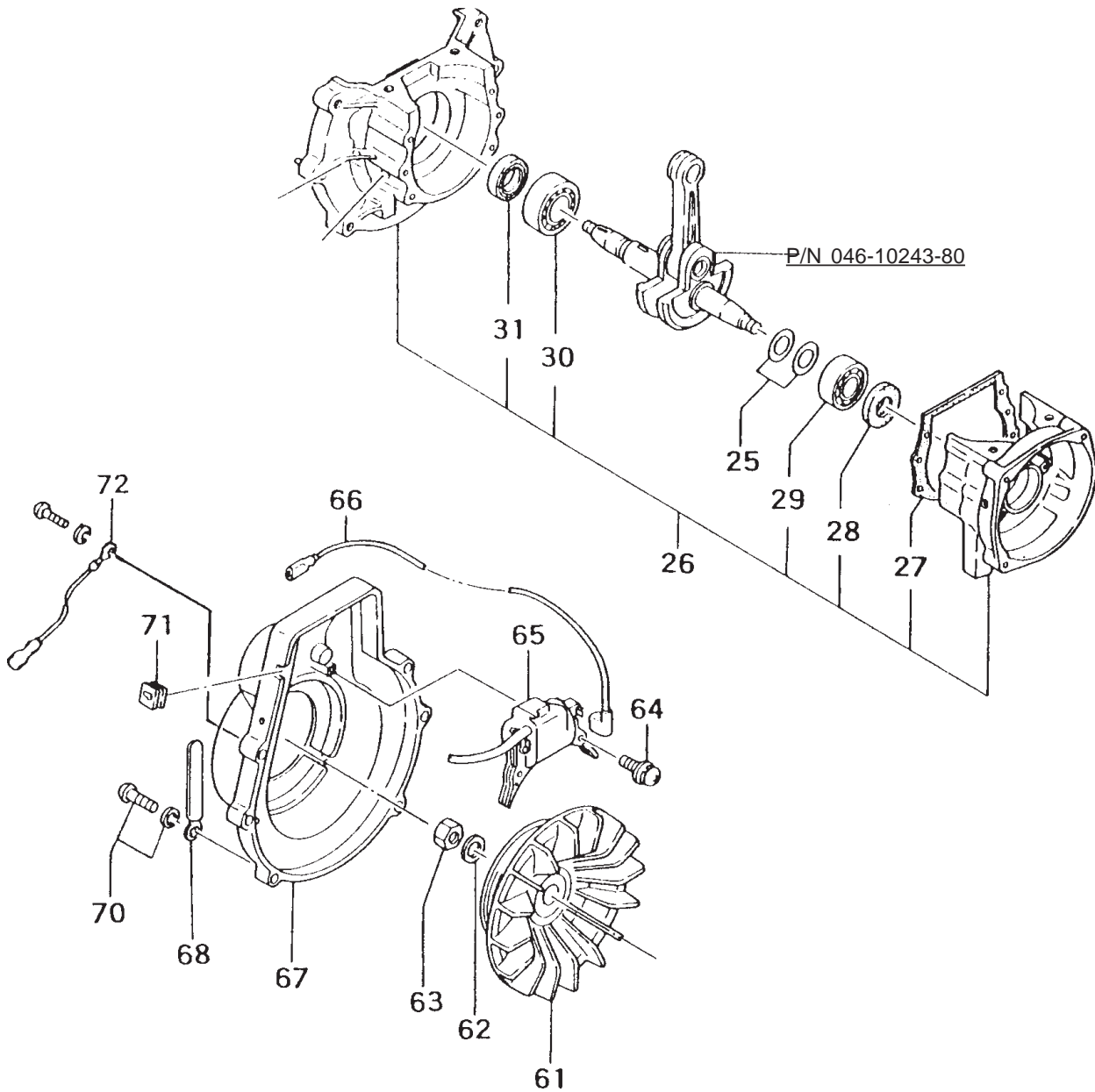
### SHORT BLOCK, CYLINDER, PISTON, CRANKSHAFT • FIGURE 1



SB-550  
Short Block

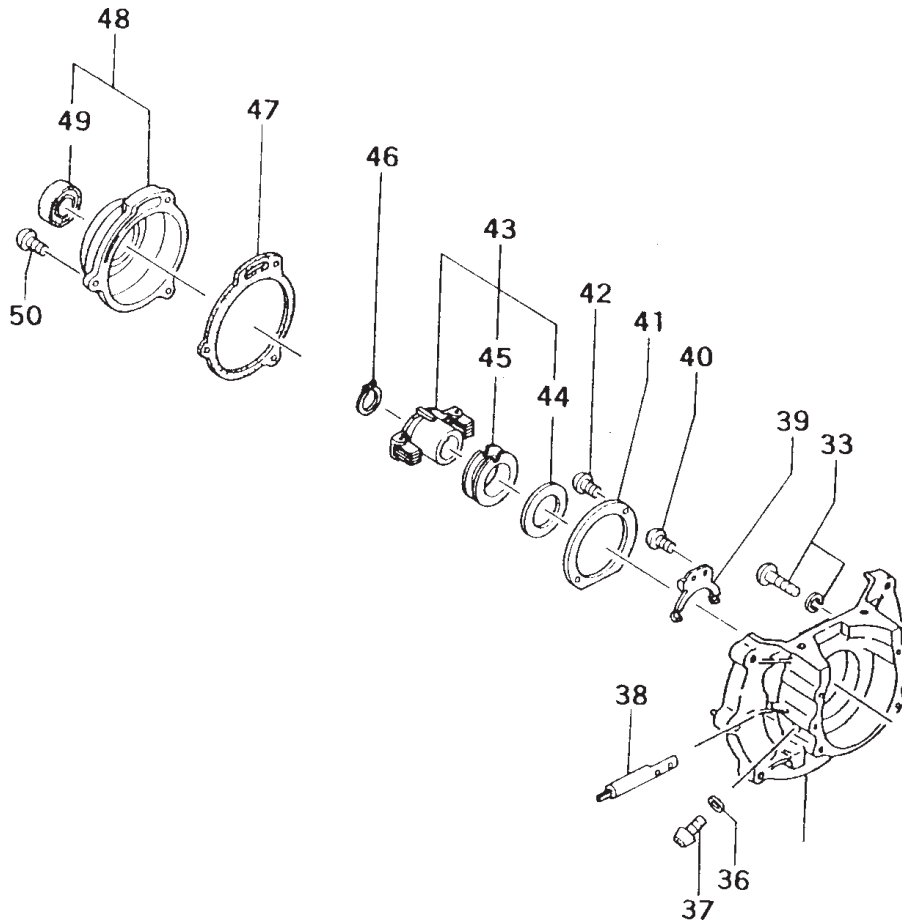
Short Block is available for this unit.  
Short Block consists of parts within the bracket plus the complete crankcase assy, Item #26 on page 2.

ITEM	PART NUMBER	DESCRIPTION	QTY	COMMENTS
1	994-13050-121	SCREW 5x12/P	4	
3	198-05015-800	CLAMP,CORD	1	
4	016-10244-200	COVER,CYLINDER	1	
6	157-01570-900	CAP, SPARK PLUG,ASS'Y	1	
7	018-02233-200	PLUG, SPARK	1	
11	002-10244-80	CYLINDER	1	
12	100-02100-200	BOLT, STUD, 6X22	2	
13	994-14060-181	SCREW, 6X18/S	4	
15	017-10200-21	GASKET, CYLINDER	1	
16	040-10100-200	RING, PISTON, TOP	1	
17	041-10100-201	RING, PISTON	1	
18	039-02000-201	CIRCLIP, PISTON PIN	2	
19	031-10100-210	PISTON	1	
20	037-10100-200	PIN, PISTON, 10X35	1	
21	046-10243-80	CRANKSHAFT	1	
22	999-62101-004	BEARING, NEEDLE, F1010B	1	
23	068-10100-200	KEY, WOODRUFF, 3X13X4.5	1	
24	068-02000-200	KEY, WOODRUFF, 3X13X5	1	

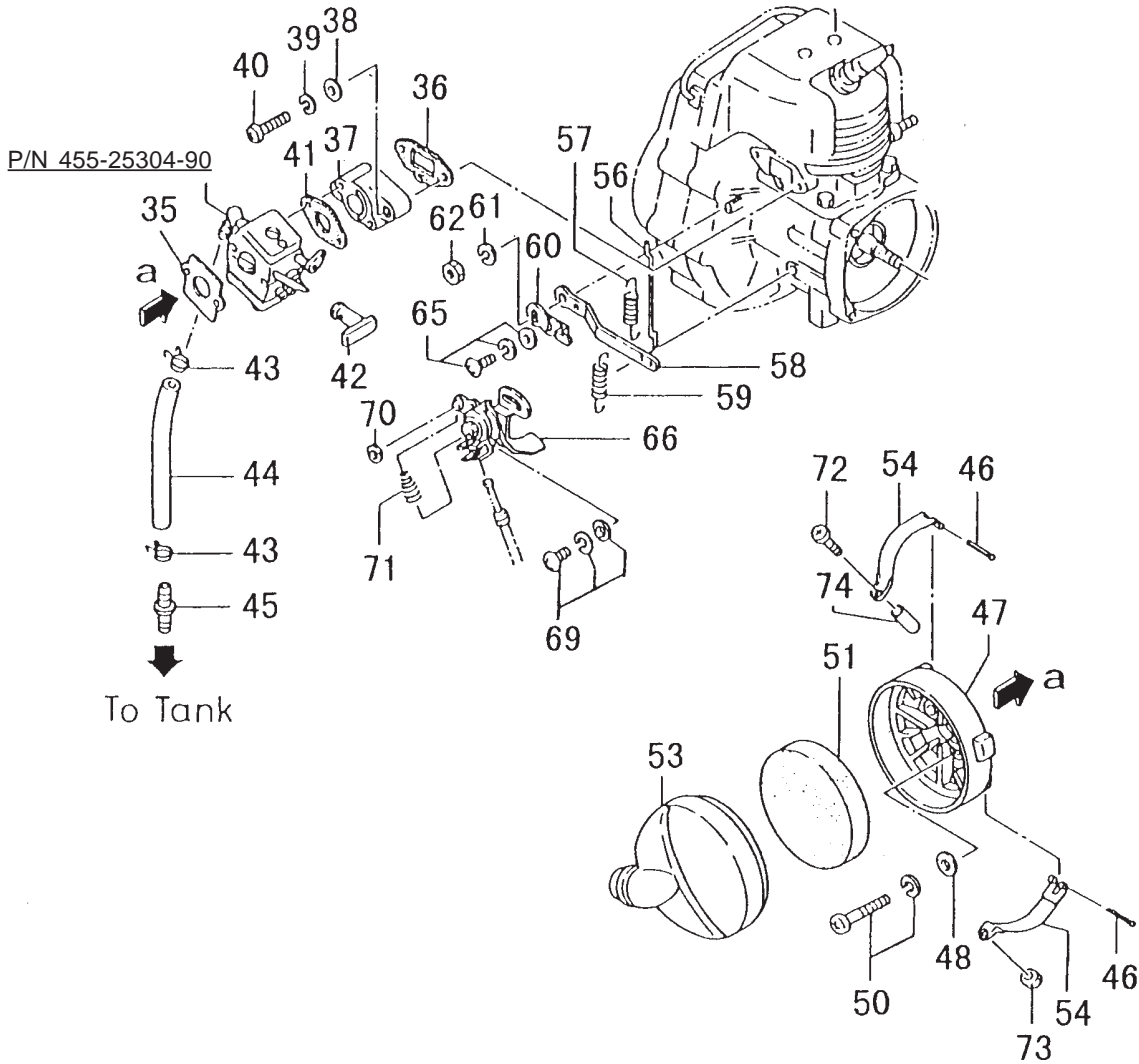


### CRANKCASE, CRANKSHAFT, MAGNETO • FIGURE 2

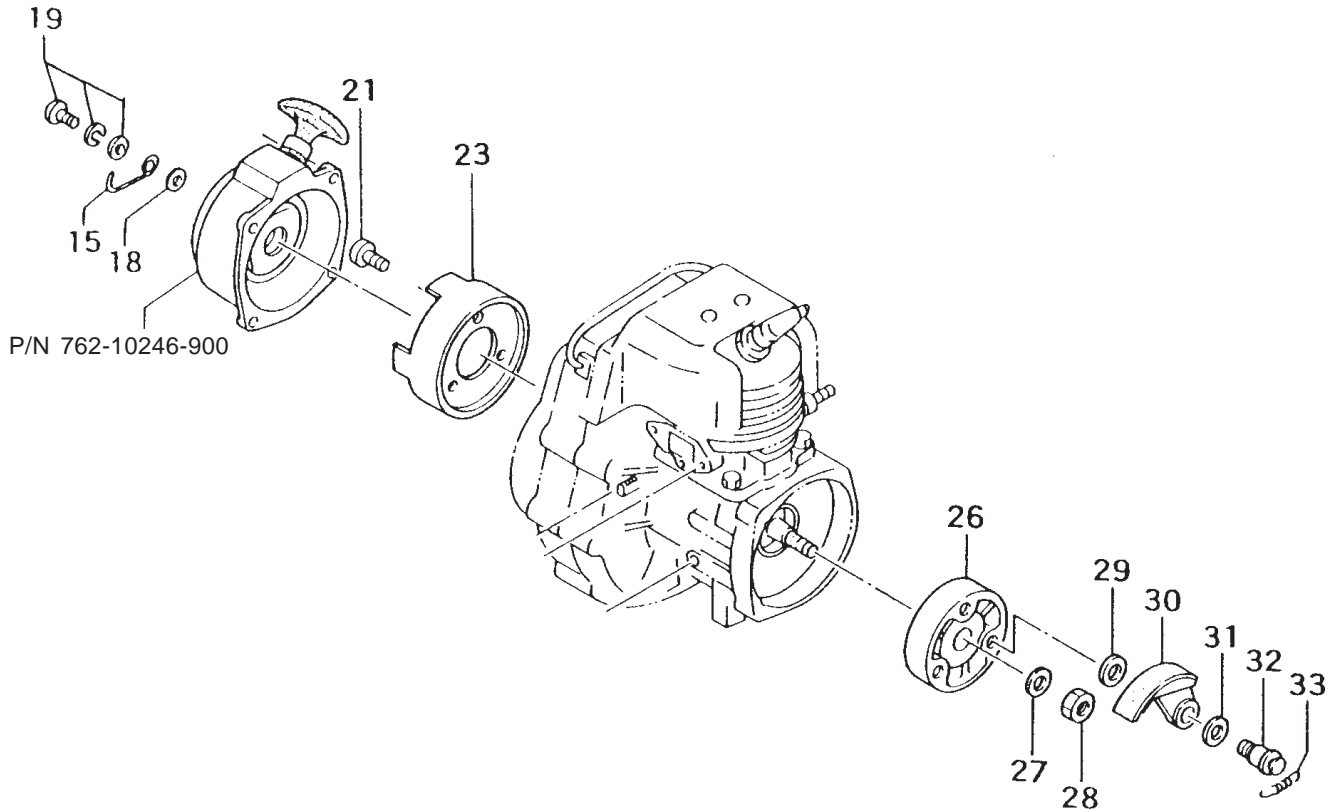
ITEM	PART NUMBER	DESCRIPTION	QTY	COMMENTS
25	071-02007-210	SHIM, 15.2X20X 10	1	*Shims are "as needed" to obtain correct side clearance
25	071-02007-220	SHIM, 15.2X20X 15	1	
25	071-11600-230	SHIM, 16X21X 20	1	
25	071-11600-240	SHIM, 16X21X 30	1	
26	072-10243-91	CRANKCASE, ASSY	1	
27	090-10200-21	GASKET, CRANKCASE	1	*Crankcase assy includes, bearings, seals and gaskets
28	999-66153-000	SEAL, OIL, #15307	1	* Magneto includes starter pawls
29	999-61620-200	BEARING, BALL, #6202	1	
30	999-61620-300	BEARING, BALL, #6203	1	
31	999-66173-000	SEAL, OIL, #17307	1	
61	155-21714-801	ROTOR, MAGNETO	1	
62	992-01100-011	WASHER, 10	1	
63	991-09100-001	NUT, 10 L.H.	1	
64	994-16040-226	SCREW, WS, 4X22	2	
65	167-21954-800	COIL, IGNITION	1	
66	178-0136M-800	CORD, STOP	1	
67	112-10246-200	CASE, FAN	1	
68	198-10246-800	CLAMP, CORD	1	
70	994-14060-251	SCREW, 6X25/S	4	
71	202-10200-201	GROMMET, SECONDARY CORD	1	
72	274-04037-800	CORD, EARTH	1	



ITEM	PART NUMBER	DESCRIPTION	QTY	COMMENTS
33	994-14060-301	SCREW, 6X30/S	4	
36	727-01040-201	GASKET, DRAIN	1	
37	990-11060-102	SCREW, 6X10	1	
38	369-10250-203	SHAFT, GOVERNOR	1	
39	367-10250-210	FORK, GOVERNOR SHAFT	1	
40	990-11030-061	SCREW, 3X6	2	
41	329-10250-201	PARTITION, OIL	1	
42	990-11040-081	SCREW, 4X8	2	
43	114-10250-910	GOVERNOR, ASS'Y	1	
44	388-10250-210	PLATE, GOVERNOR	1	
45	389-10250-210	SLEEVE, GOVERNOR	1	
46	993-50015-002	RING, STOP, C-15 EX	1	
47	385-10250-202	GASKET, GOVERNOR COVER	1	
48	384-10243-900	COVER, GOVERNOR ASS'Y	1	
49	999-66152-511	SEAL, OIL, #VE15X25X7	1	
50	990-11040-101	SCREW, 4X10	3	

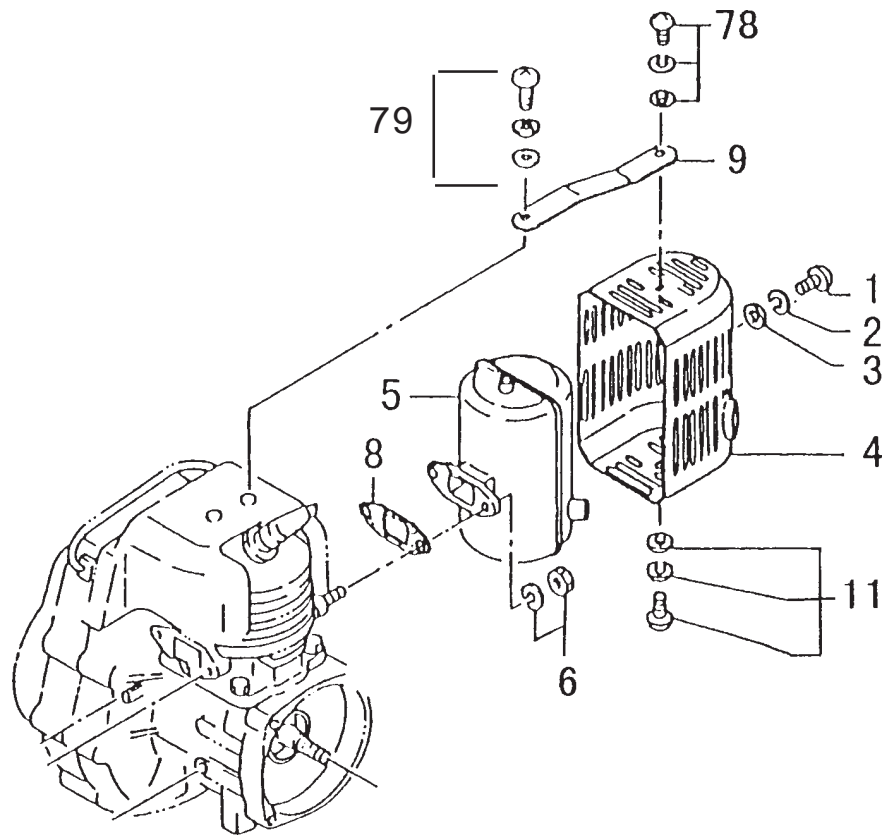


ITEM	PART NUMBER	DESCRIPTION	QTY	COMMENTS
35	431-05015-201	GASKET,CLEANER	1	
36	403-10244-201	GASKET,INTAKE MANIFOLD	1	
37	404-10244-200	INSULATOR,CARBURETOR	1	
38	992-00050-011	WASHER,SMALL,5	2	
39	992-10050-012	WASHER,S,5	2	
40	990-11050-252	SCREW,5X25	2	
41	402-01740-20	GASKET,CARBURETOR	1	
42	495-04200-200	LEVER,CHOKE	1	
43	680-00206-200	CLIP,5.5	2	
44	700-53005-195	PIPE,FUEL,3X5X195	1	
45	497-32350-200	JOINT,PIPE	1	
46	993-24025-161	PIN,SPRING,2.5X16	2	
47	423-10246-201	BODY,CLEANER	1	
48	992-00050-011	WASHER,SMALL,5	2	
50	994-14050-651	SCREW, 5X65 S	2	
51	444-02401-201	ELEMENT,CLEANER A	1	
53	424-10246-200	CAP,CLEANER	1	
54	439-10246-200	BAND,CLEANER	2	
56	490-10244-200	ROD,THROTTLE	1	
57	376-12121-200	SPRING,GOVERNOR ROD	1	
58	377-10244-200	LEVER,GOVERNOR OUTER	1	
59	374-10244-200	SPRING,GOVERNOR	1	
60	372-10250-201	LEVER,GOVERNOR SPRING	1	
61	992-10060-012	WASHER,S,6	1	
62	991-01060-013	NUT,6	1	
65	994-15040-081	SCREW, 4X8	1	
66	830-10250-903	LEVER,CONTROL,ASS'Y	1	
69	994-16050-101	SCREW,WS,5X10	2	
70	700-17512-003	PIPE,FUEL,7.5X12X3	1	
71	902-10243-200	SPRING,WIRE,RETURN	1	
72	990-11050-351	SCREW,5X35	1	
73	991-01050-011	NUT,5	1	
74	470-10246-200	COLLAR	1	

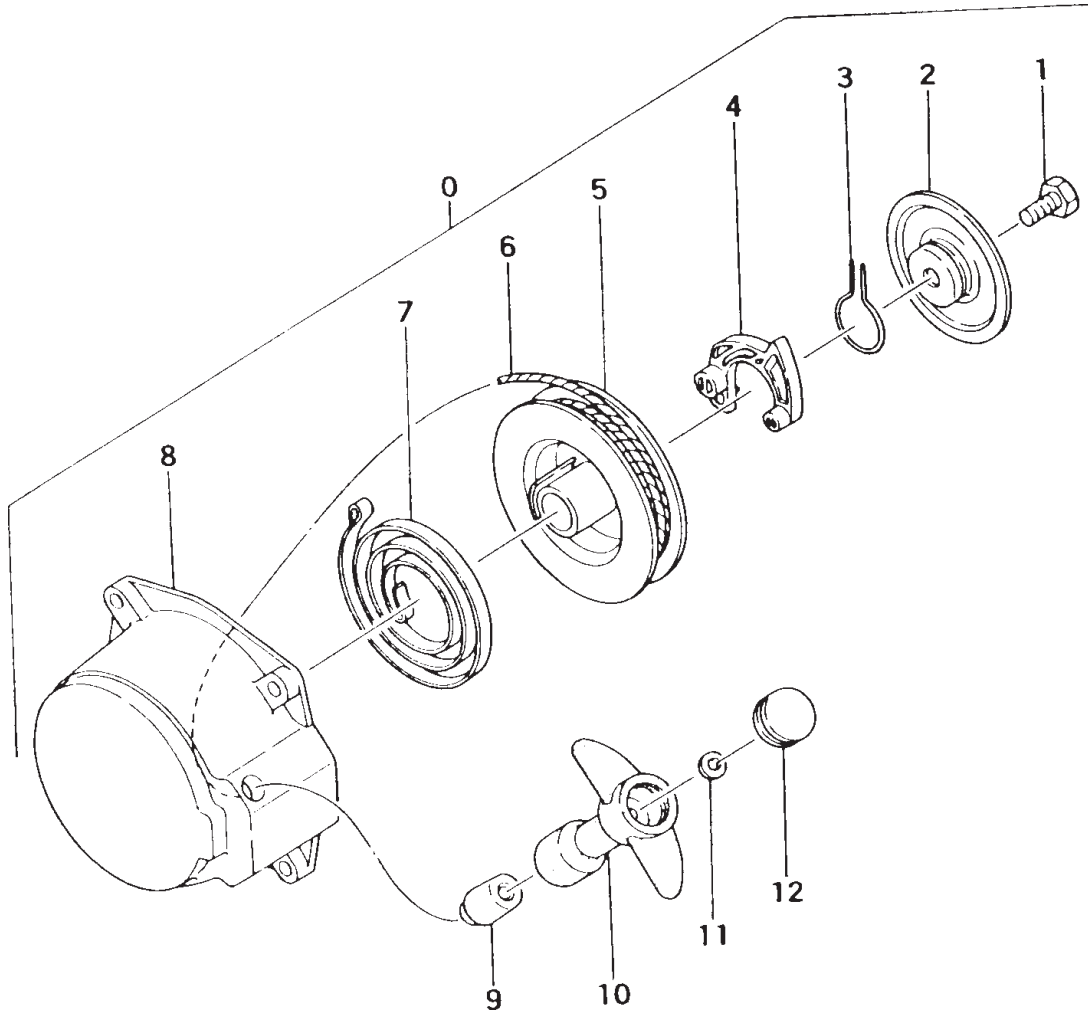


ITEM	PART NUMBER	DESCRIPTION	QTY	COMMENTS
15	461-33111-200	CLAMP	1	
18	992-01050-011	WASHER,5	1	
19	994-15050-202	SCREW,5X20/PS	4	
21	994-14060-202	SCREW,6X20S	3	
23	798-10246-200	PULLEY,STARTER	1	
26	347-10243-200	FLANGE,CLUTCH	1	
27	992-01100-011	WASHER,10	1	
28	991-15100-001	NUT,LH,10	1	
29	359-10112-203	WASHER,CLUTCH B	3	
30	290-10112-802	ARM,CLUTCH	3	
31	358-10112-201	WASHER,CLUTCH	3	
32	357-10112-204	BOLT,CLUTCH STEP	3	
33	342-10205-220	SPRING,CLUTCH	3	

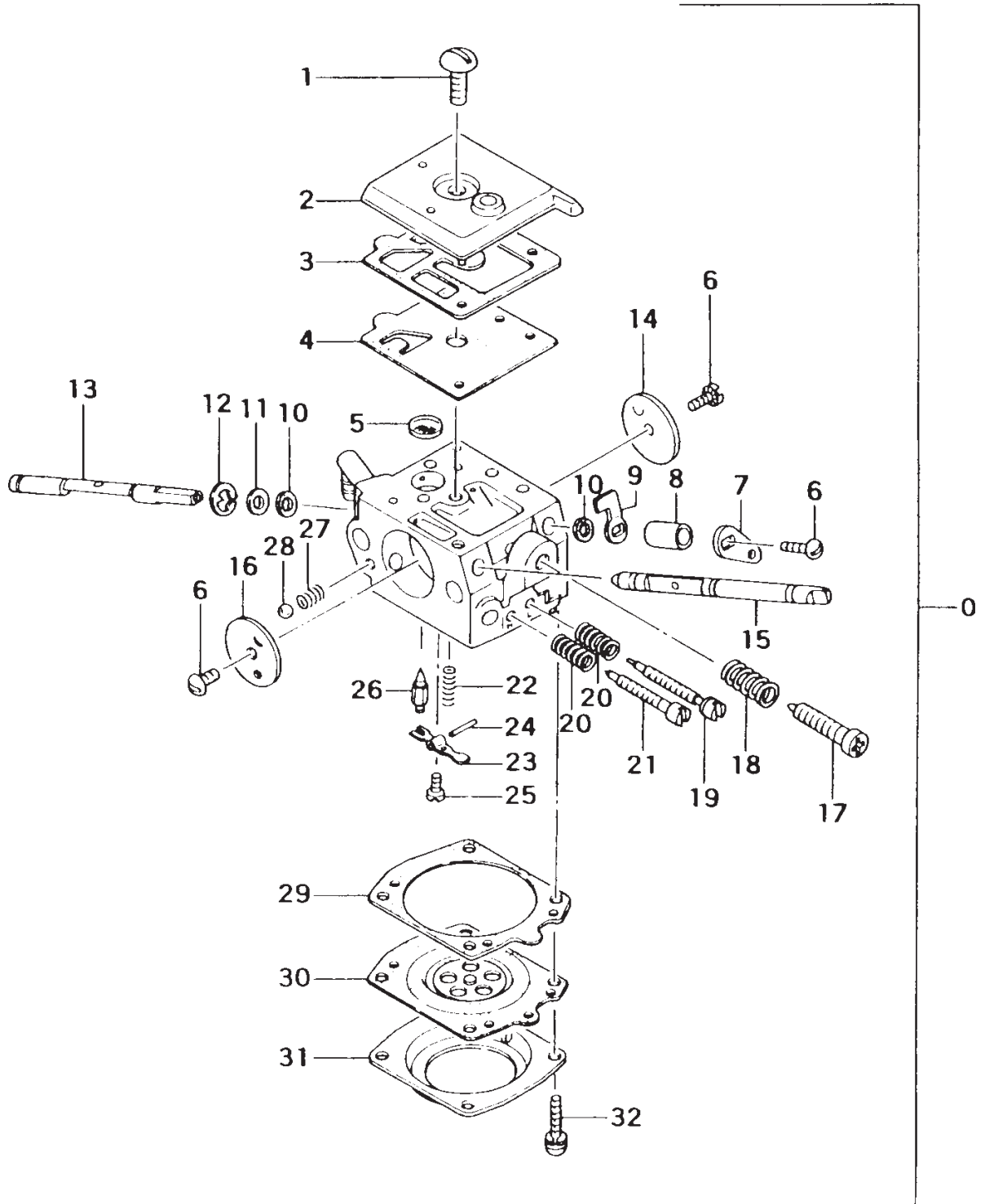




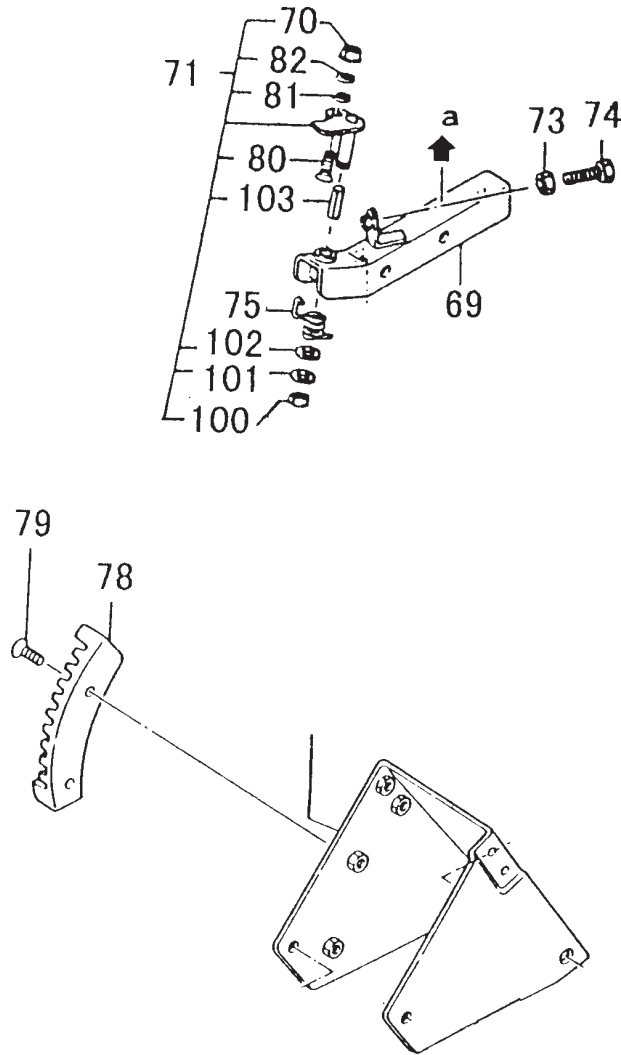
ITEM	PART NUMBER	DESCRIPTION	QTY	COMMENTS
1	990-11050-061	SCREW, 5X6	1	
2	992-10050-012	WASHER, S, 5	1	
3	992-01050-011	WASHER, 5	1	
4	738-03120-21	PROTECTOR, MUFFLER	1	
5	706-10225-800	MUFFLER	1	
6	994-40060-011	NUT, SPRING 6	2	
8	737-10242-20	GASKET, MUFFLER	1	
9	733-10205-210	STAY, MUFFLER	1	
11	994-15050-081	SCREW, 5X8/PS	1	
78	994-15050-121	SCREW, 5X12/PS	1	
79	994-13050-121	SCREW, 3X12/PS	1	



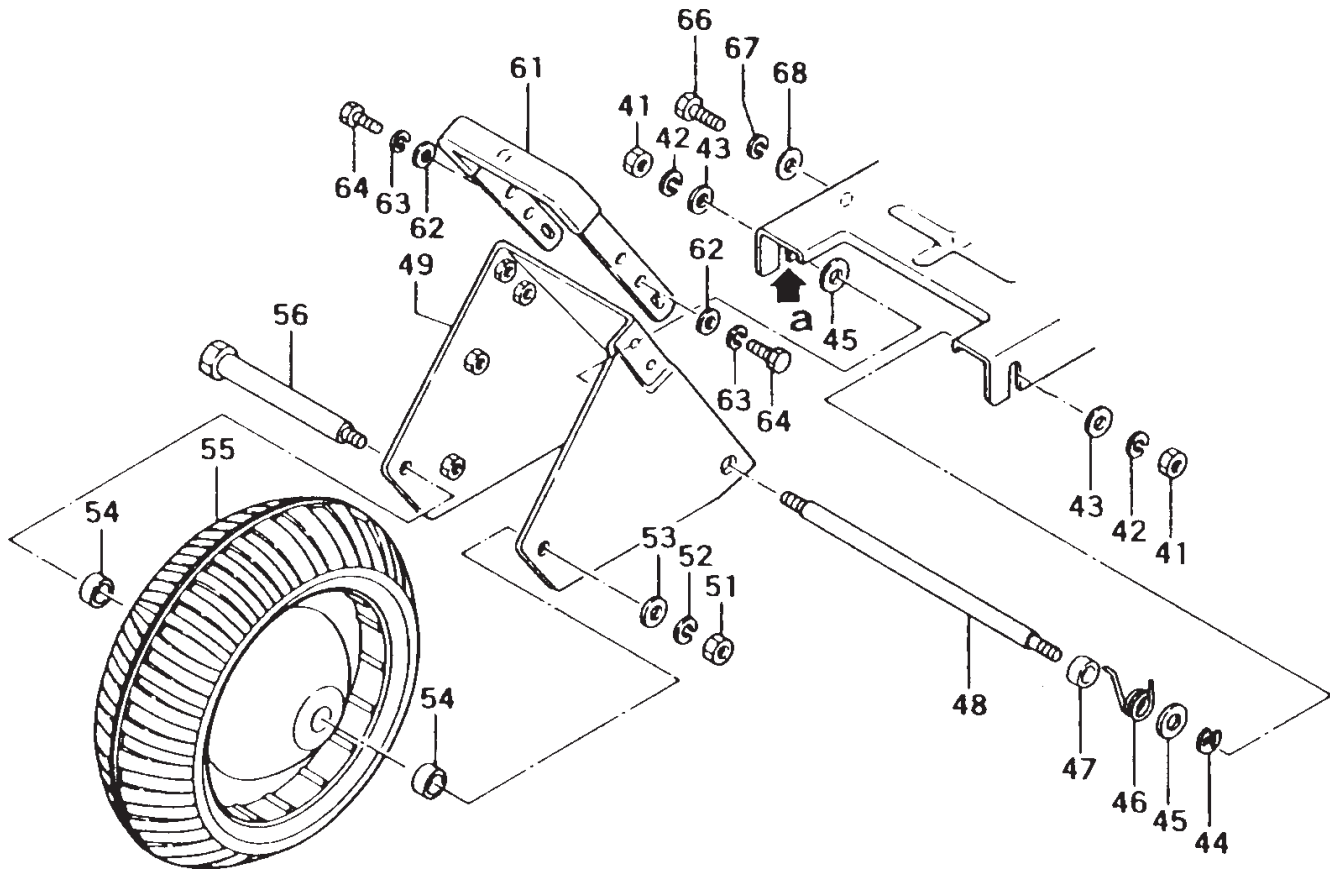
ITEM	PART NUMBER	DESCRIPTION	QTY	COMMENTS
0	762-10246-900	STARTER,RECOIL ASS'Y	1	
1	990-21060-121	BOLT,6X12	1	
2	837-10205-200	PLATE, FRICTION	1	
3	836-10205-200	SPRING, FRICTION	1	
4	788-10243-200	PAWL, STARTER	1	
5	774-10246-800	PULLEY, STARTER	1	
6	783-10205-200	ROPE, STARTER	1	
7	779-10205-200	SPRING, RECOIL	1	
8	772-10246-200	BODY, RECOIL STARTER	1	
9	780-10108-200	GUIDE, ROPE	1	
10	785-10118-200	HANDLE, STARTER	1	
11	795-10243-200	STOPPER, ROPE	1	
12	835-10246-200	CAP, STARTER HANDLE	1	



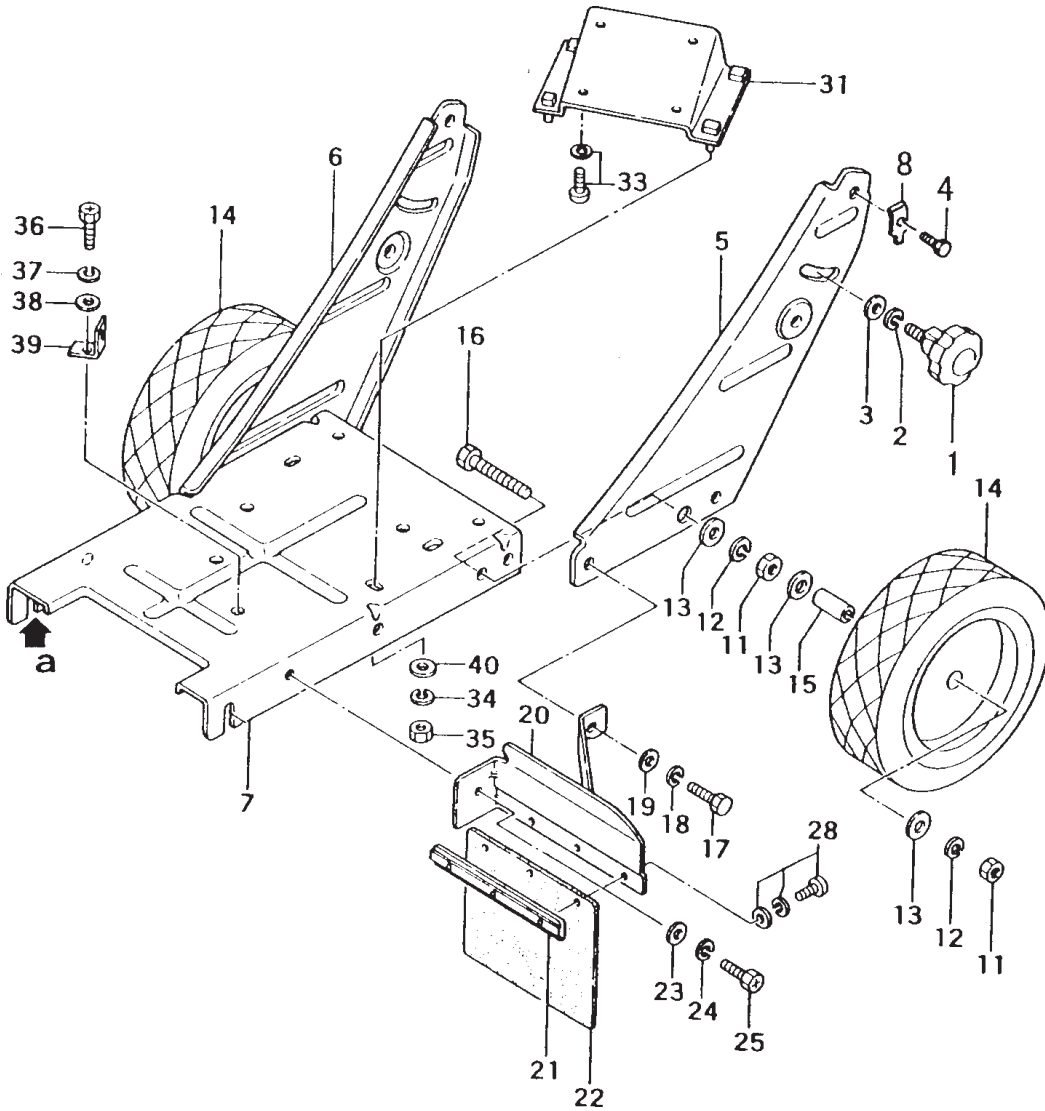
ITEM	PART NUMBER	DESCRIPTION	QTY	COMMENTS
4-00	45525111900	CARBURETOR,ASS'Y	1	Before S/N U012440
4-00	4552530490	CARBURETOR,ASS'Y	1	S/N U012441 and after
4-1	51425001200	SCREW,SET	1	
4-2	57525012200	BODY,PUMP	1	
4-3	~ ~ ~	*GASKET,PUMP	1	* Contained in Carb Repair Kit
4-4	~ ~ ~	*DIAPHRAGM,PUMP	1	P/N 650-25012-910 (Not available individually)
4-5	~ ~ ~	*SCREEN,INLET	1	
4-6	46725003200	SCREW,SHUTTER	3	
4-7	49125031200	LEVER,THROTTLE	1	
4-8	43725031200	SLEEVE	1	
4-9	55925012200	PLATE,STOP	1	Before S/N U012440
4-9	5592530420	PLATE,STOP	1	S/N U012441 and after
4-10	50225111200	FILTER	2	
4-11	54925100200	WASHER,THRUST	1	
4-12	48925008200	RING,STOP	1	
4-13	46425111200	SHAFT,THROTTLE	1	
4-14	48825001200	VALVE,THROTTLE	1	
4-15	49225032200	SHAFT,CHOKE	1	
4-16	49325111200	VALVE,CHOKE	1	
4-17	46225006200	SCREW,IDLE ADJUST	1	
4-18	46325012200	SPRING,IDLE ADJUST	1	
4-19	46125111200	SCREW,SLOW ADJUST	1	Before S/N U012440
4-20	62325001200	SPRING,ADJUST,LOW	2	Before S/N U012440
4-21	4602503620	SCREW,HIGH ADJUST	1	Before S/N U012440
4-22	47725012200	SPRING,VALVE	1	Before S/N U012440
4-22	4772508820	VALVE,SPRING	1	S/N U012441 and after
4-23	47325012200	LEVER,CONTROL	1	
4-24	60525001200	PIN,HINGE	1	
4-25	54625001200	SCREW,SET,HINGE PIN	1	
4-26	6032501220	NEEDLE VALVE	1	
4-27	49625032200	SPRING,CHOKE	1	
4-28	56725032200	BALL,STEEL	1	
4-29	~ ~ ~	*GASKET,DIAPHRAGM	1	
4-30	~ ~ ~	*DIAPHRAGM,METERING	1	
4-31	47625012201	COVER,DIAPHRAGM	1	
4-32	54825012200	SCREW,SET	4	



ITEM	PART NUMBER	DESCRIPTION	QTY	COMMENTS
69	481-33111-800	STAY,ADJUST	1	
70	991-82060-001	NUT,FLANGE,6	1	
71	485-33111-91	PLATE,LOCK	1	
73	991-01060-013	NUT,6	1	
74	894-33111-20	RECEIVER,OUTER	1	
75	487-33111-21	SPRING,LOCK PLATE	1	
78	475-33111-200	PLATE,ADJUST	1	
79	990-12080-121	SCREW,8X12 F.H.	2	
80	904-33111-210	BOLT,SPECIAL	1	
81	871-32367-200	WASHER,SPECIAL	1	
82	992-01060-011	WASHER,6	1	
100	991-74080-003	U-NUT,8	1	
101	992-01080-011	WASHER,8	1	
102	307-36100-200	LEVER,WASHER ENGAGE	1	
103	467-33111-20	COLLAR	1	



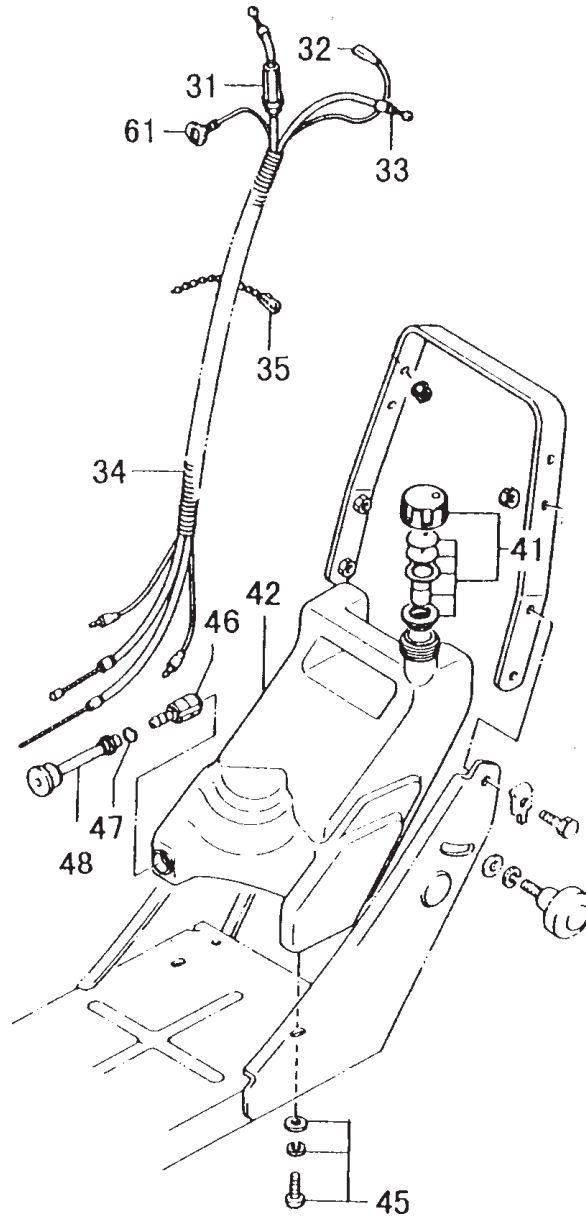
ITEM	PART NUMBER	DESCRIPTION	QTY	COMMENTS
41	991-01080-011	NUT,8	2	
42	992-10080-012	WASHER,S,8	2	
43	992-01080-011	WASHER,8	2	
44	993-55100-001	RING,STOP,10	1	
45	483-33111-200	WASHER	2	
46	196-33111-200	SPRING,FENDER,FRONT	1	
47	321-33111-200	SPACER,B	1	
48	292-33111-200	SHAFT,CENTER	1	
49	195-33111-801	FENDER,FRONT	1	
51	991-01080-011	NUT,8	1	
52	992-10080-012	WASHER,S,8	1	
53	992-01080-011	WASHER,8	1	
54	320-33111-200	SPACER	2	
55	430-33111-800	WHEEL,FRONT,8"	1	
56	290-33111-200	SHAFT,FRONT	1	
61	197-33111-200	HANDLE,CARRYING	1	
62	992-01060-011	WASHER,6	4	
63	992-10060-012	WASHER,S,6	4	
64	990-21060-201	BOLT,6X20	4	
66	990-21080-201	BOLT,8X20	1	
67	992-10080-012	WASHER,S,8	1	
68	992-01080-011	WASHER,8	1	



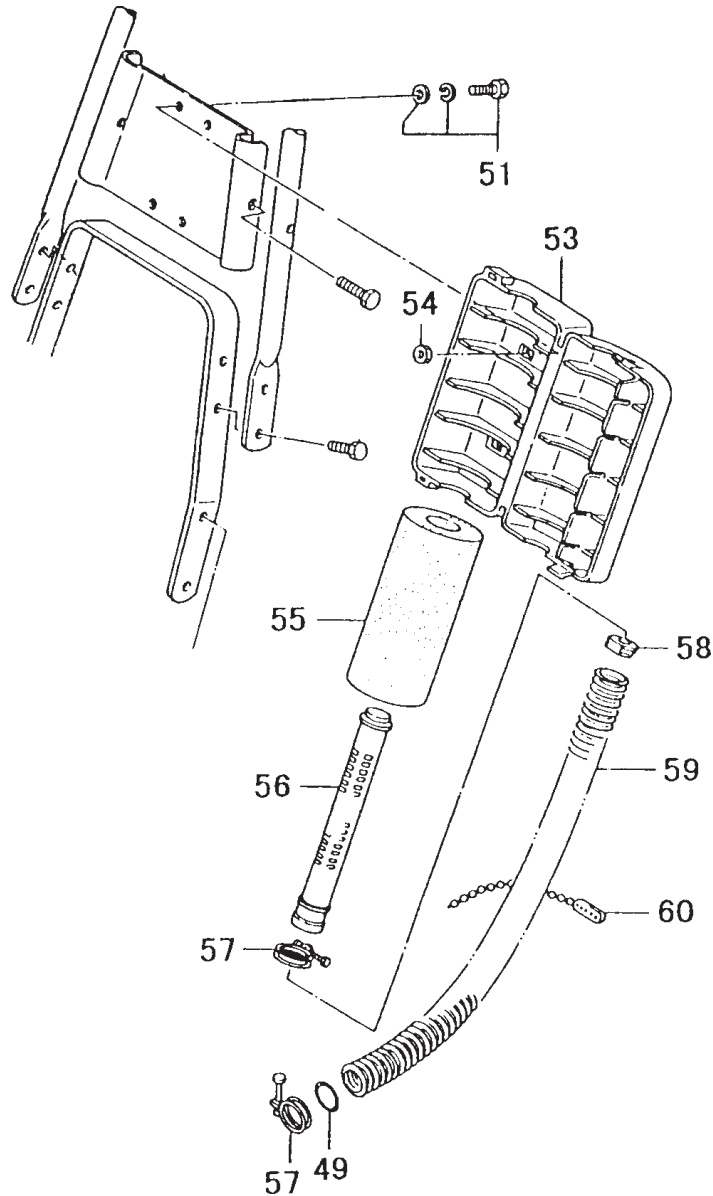
### ENGINE BED, MUD FLAP • FIGURE 11

ITEM	PART NUMBER	DESCRIPTION	QTY	COMMENTS
1	210-33110-800	HANDLE, LOCK	2	
2	992-10080-012	WASHER, S, 8	2	
3	992-01080-011	WASHER, 8	2	
4	990-21080-201	BOLT, 8X20	2	
5	167-33110-210	HOLDER, HANDLE A	1	
6	168-33110-210	HANDLE, HOLDER B	1	
7	002-33111-800	BASE, ENGINE	1	
8	169-33111-200	WASHER, LOCK TAB	1	
11	991-01100-011	NUT, 10	4	
12	992-10100-012	WASHER, S, 10	4	
13	992-01100-011	WASHER, 10	6	
14	431-33110-801	WHEEL, REAR, 8"	2	
15	294-33111-200	COLLAR	2	
16	990-21100-701	BOLT, HEX HOLE, 10X70	2	
17	990-21080-201	BOLT, 8X20	4	
18	992-10080-012	WASHER, S, 8	4	
19	992-01080-011	WASHER, 8	4	
20	495-33111-810	BRACKET, MUD FLAP	1	
21	496-33111-200	HOLDER, MUD FLAP	1	
22	500-33111-200	FLAP, MUD	1	
23	992-01060-011	WASHER, 6	1	
24	992-10060-012	WASHER, S, 6	1	
25	990-23060-121	BOLT, PLUS, 6X12	1	
28	994-15040-101	SCREW, 4X10	3	
31	005-33110-800	BED, ENGINE	1	
33	994-14060-161	SCREW, S, 6X16	4	
35	991-82060-001	NUT, FLANGE, 6	4	
36	990-23060-151	BOLT, PLUS, 6X15	1	
37	992-10060-012	WASHER, S, 6	1	
38	992-01060-011	WASHER, 6	1	
39	339-33111-200	STAY, CLUTCH CASE	1	

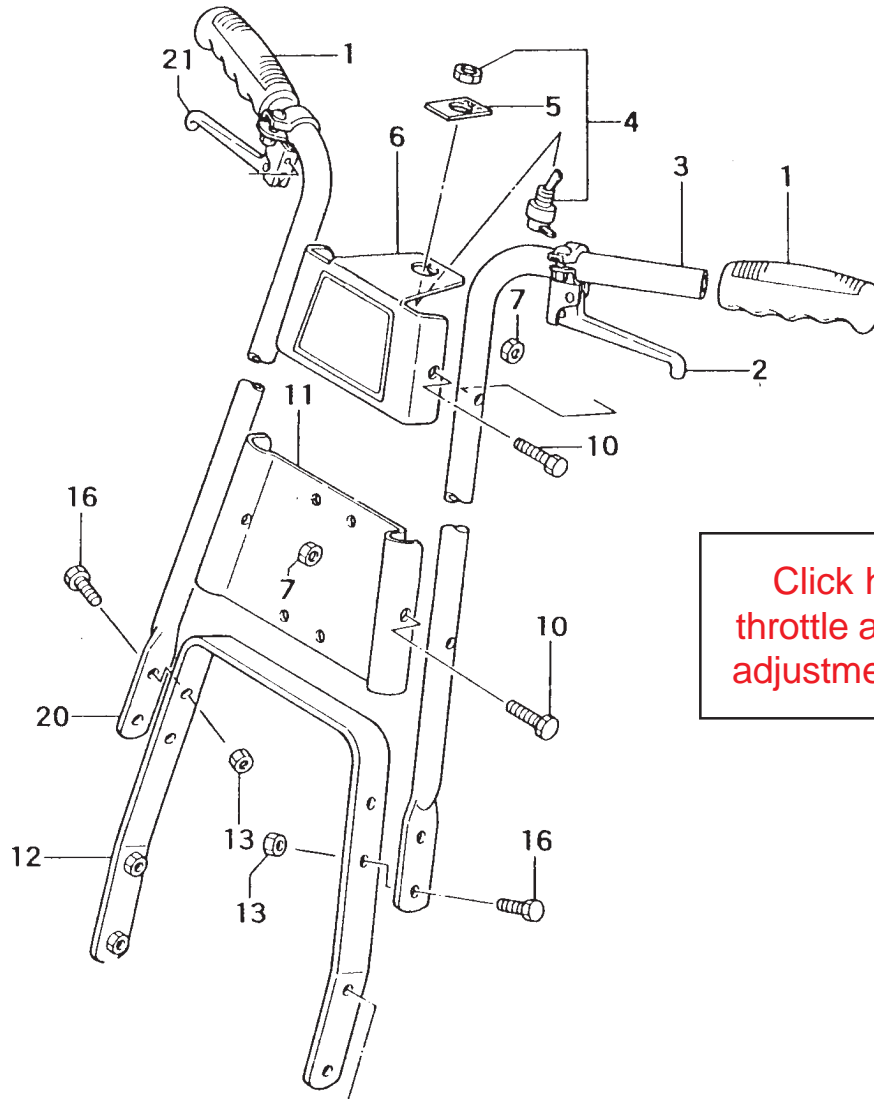




ITEM	PART NUMBER	DESCRIPTION	QTY	COMMENTS
31	885-10260-81	WIRE, THROTTLE	1	
32	178-10243-800	CORD, STOP	1	
33	480-33118-91	WIRE, ADJUST	1	
34	164-13085-010	TUBE, PROTECTION, 13X850	1	
35	460-33111-20	CLAMP, B	1	
41	595-33123-90	CAP, TANK TLE	1	
42	591-33123-90	TANK W/CAP, TLE	1	
45	994-15060-121	SCREW, 6X12	4	
46	675-01630-900	FILTER, FUEL	1	
47	680-04019-210	CLIP, 7	1	
48	678-10246-200	PIPE, FUEL	1	
61	177-33111-800	CORD, EARTH, B	1	

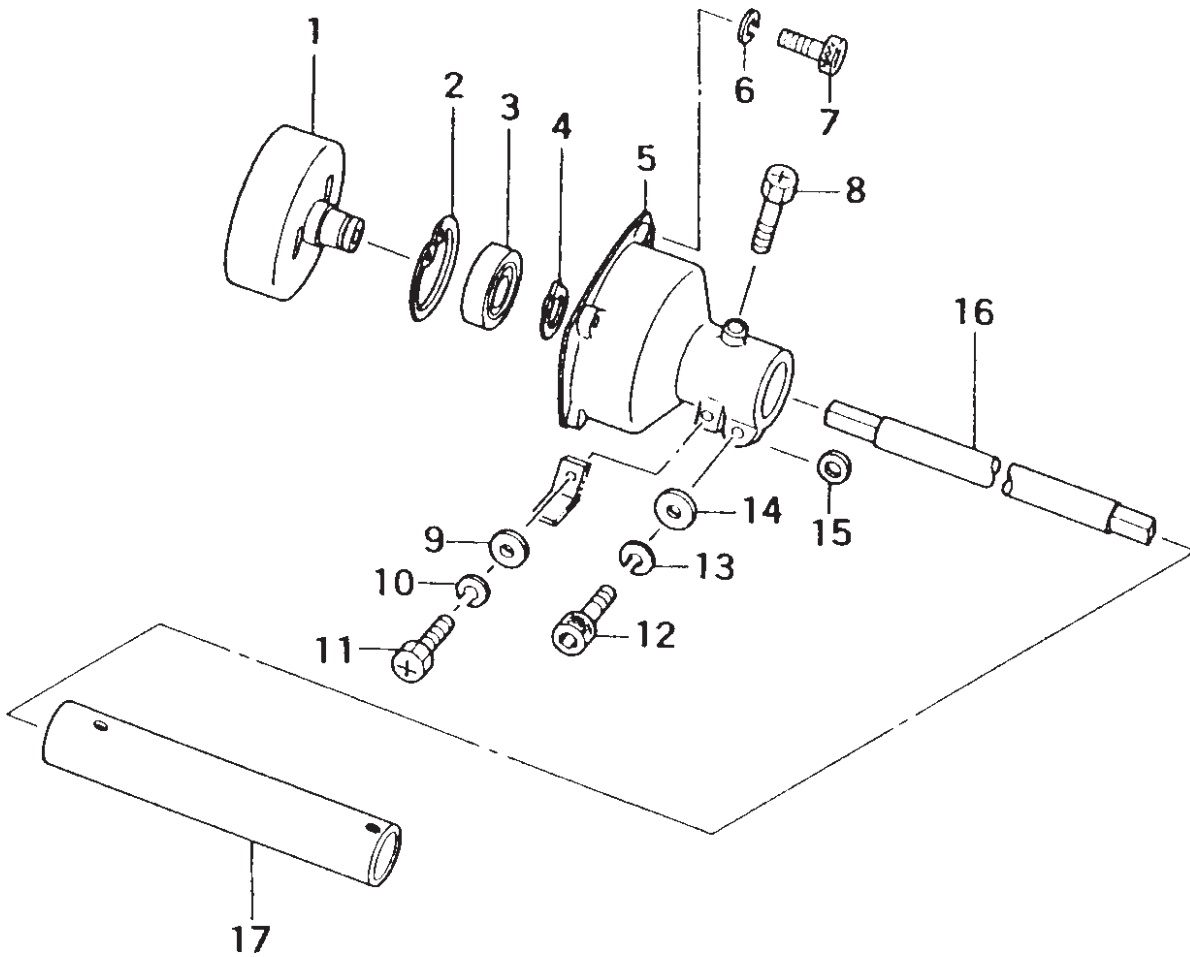


ITEM	PART NUMBER	DESCRIPTION	QTY	COMMENTS
49	999-67042-003	O-RING,P-42	1	
51	994-15050-141	SCREW,5X14/PS	4	
53	423-33111-201	BODY,CLEANER	1	
54	991-01050-011	NUT,5	4	
55	444-05015-200	ELEMENT,CLEANER	1	
56	425-05015-200	CORE,CLEANER	1	
57	466-33111-200	BAND,WIRE 36	2	
58	462-33110-200	PIPE,RUBBER,15	1	
59	164-32055-000	HOSE,CLEANER	1	
60	459-33111-900	CLAMP,HOSE ASS'Y	1	

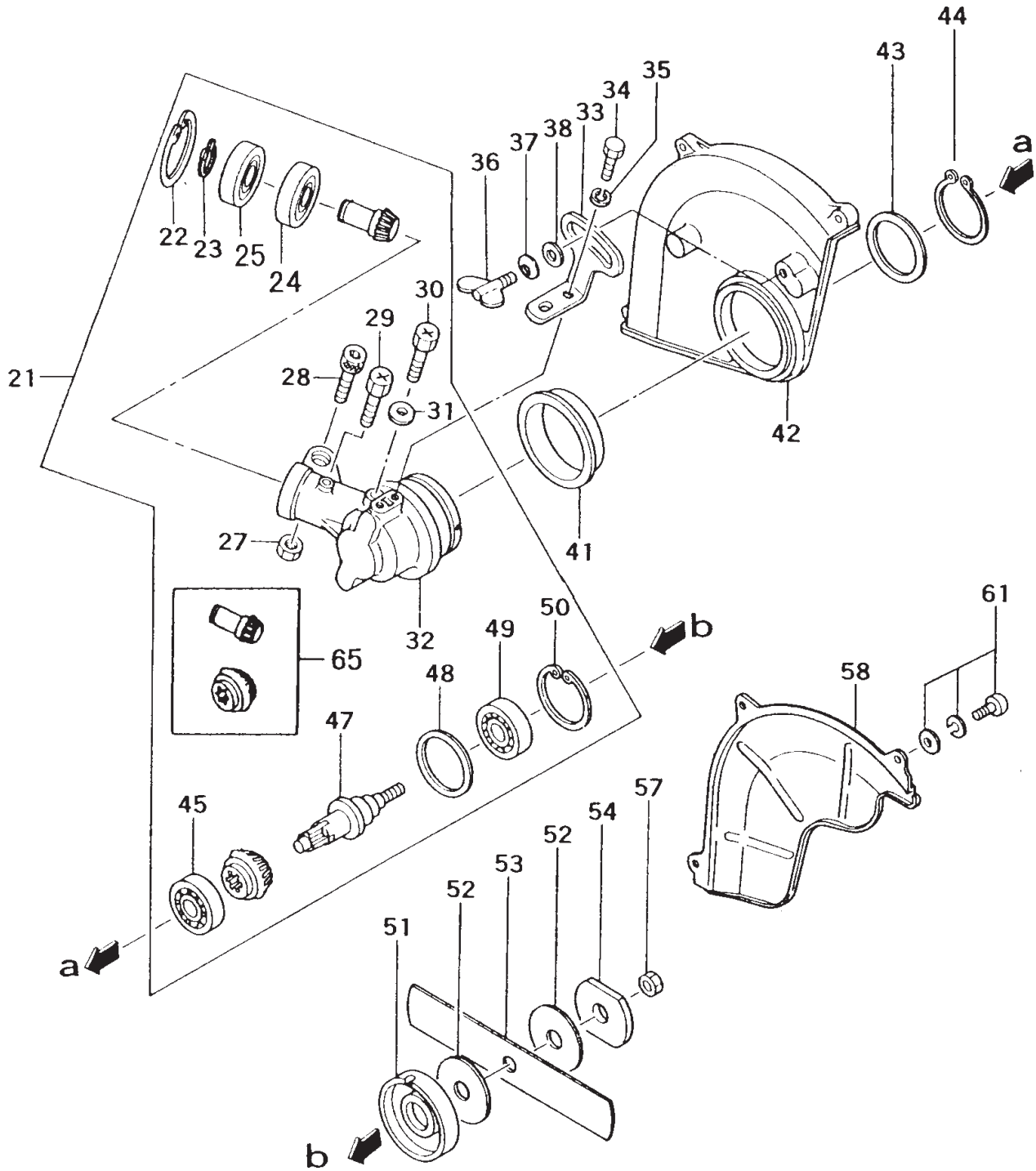


Click here for  
throttle and height  
adjustment cables

ITEM	PART NUMBER	DESCRIPTION	QTY	COMMENTS
1	165-33111-200	GRIP,HANDLE	2	
2	472-33111-90	LEVER,ADJUST,ASS'Y	1	
3	159-33111-200	HANDLE,LEFT	1	
4	162-01570-900	SWITCH,STOP,ASS'Y	1	
5	183-01300-200	NAME PLATE,SWITCH	1	
6	640-33111-200	PLATE,STOP SWITCH	1	
7	991-82060-001	NUT,FLANGE,6	4	
10	990-21060-351	BOLT,6X35	4	
11	454-33111-200	HOLDER,CLEANER BODY	1	
12	155-33111-800	HANDLE,A	1	
13	991-82060-001	NUT,FLANGE,6	4	
16	990-21060-181	BOLT,6X18	4	
20	158-33111-200	HANDLE,RIGHT	1	
21	162-33111-90	LEVER,THROTTLE ASS'Y	1	

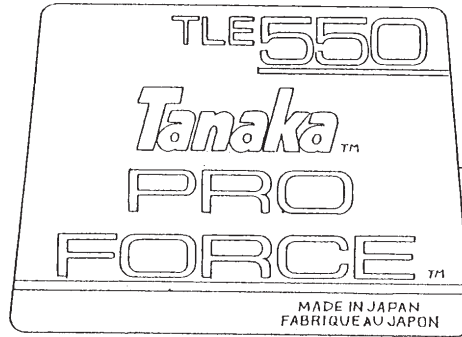
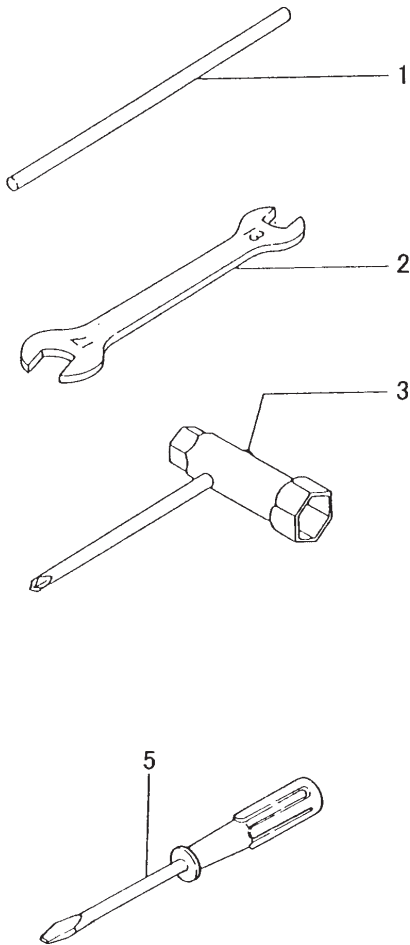


ITEM	PART NUMBER	DESCRIPTION	QTY	COMMENTS
1	332-33110-801	DRUM,CLUTCH	1	
2	993-51040-002	RING,STOP,C40	1	
3	999-61620-304	BEARING,BALL,#6203DD	1	
4	993-50017-002	RING,STOP,C17 EX	1	
5	331-33110-200	CASE,CLUTCH	1	
6	992-10050-062	WASHER,S,5	4	
7	990-51050-253	BOLT,HEX,5X25	4	
8	990-23060-121	BOLT,PLUS,6X12	1	
9	992-01060-011	WASHER,6	1	
10	992-10060-012	WASHER,S,6	1	
11	990-23060-151	BOLT,PLUS,6X15	1	
12	990-51060-303	BOLT,HEX.HOLE,6X30	1	
13	992-10060-062	WASHER,S,6	1	
14	992-01060-061	WASHER,6	1	
15	338-33110-200	WASHER,CLUTCH CASE	1	
16	343-33111-200	SHAFT,DRIVE	1	
17	341-33111-200	PIPE,DRIVE SHAFT	1	

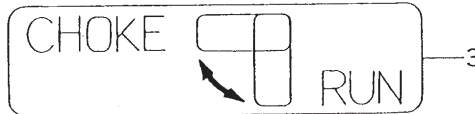


ITEM	PART NUMBER	DESCRIPTION	QTY	COMMENTS
21	300-33111-900	CASE, GEAR ASS'Y	1	
22	993-51032-002	RING, STOP, C-32 IN	1	
23	993-50015-002	RING, STOP, C-15 EX	1	
24	999-61600-200	BEARING, BALL, #6002	1	
25	999-61600-202	BEARING, BALL, #6002Z	1	
27	991-01080-013	NUT, 8	1	
28	990-51080-303	BOLT, HEX HOLE, 8X30	1	
29	990-23060-121	BOLT, PLUS, 6X12	1	
30	990-23080-121	BOLT, P, 8X12	1	
31	316-12101-200	GASKET, DRAIN PLUG	1	
32	300-33110-210	CASE, GEAR	1	
33	443-33111-202	STAY, SIDE COVER	1	
34	990-21060-151	BOLT, 6X15	2	
35	992-10060-012	WASHER, S, 6	2	
36	990-60080-201	BOLT, WING, 8X20	1	
37	992-05080-030	WASHER, 8	1	
38	992-01080-011	WASHER, 8	1	
41	445-33110-200	HOLDER, SAFETY COVER	1	
42	441-33110-210	COVER, SAFETY	1	
43	141-33110-200	WASHER, SAFETY COVER	1	
44	993-50065-002	RING, STOP, EX, C-65	1	
45	999-61620-100	BEARING, BALL, #6201	1	
47	304-33110-210	SHAFT, GEAR	1	
48	382-33110-200	HOLDER, BEARING	1	
49	999-61620-504	BEARING, BALL, #6205DD	1	
50	993-51052-002	RING, STOP, C-52 IN	1	
51	310-33110-200	HOLDER, CUTTER	1	
52	314-33111-200	WASHER, HOLDER	2	
53	435-33110-200	BLADE, TLE-500/550	1	
54	311-33110-202	CAP, CUTTER HOLDER	1	
57	991-11120-011	NUT, 12	1	
58	442-33110-20	COVER, SIDE	1	
61	994-15050-121	SCREW, 5X12/PS	3	
65	301-33111-000	SET, GEAR/PINION	1	

### TOOLS, DECALS • FIGURE 17

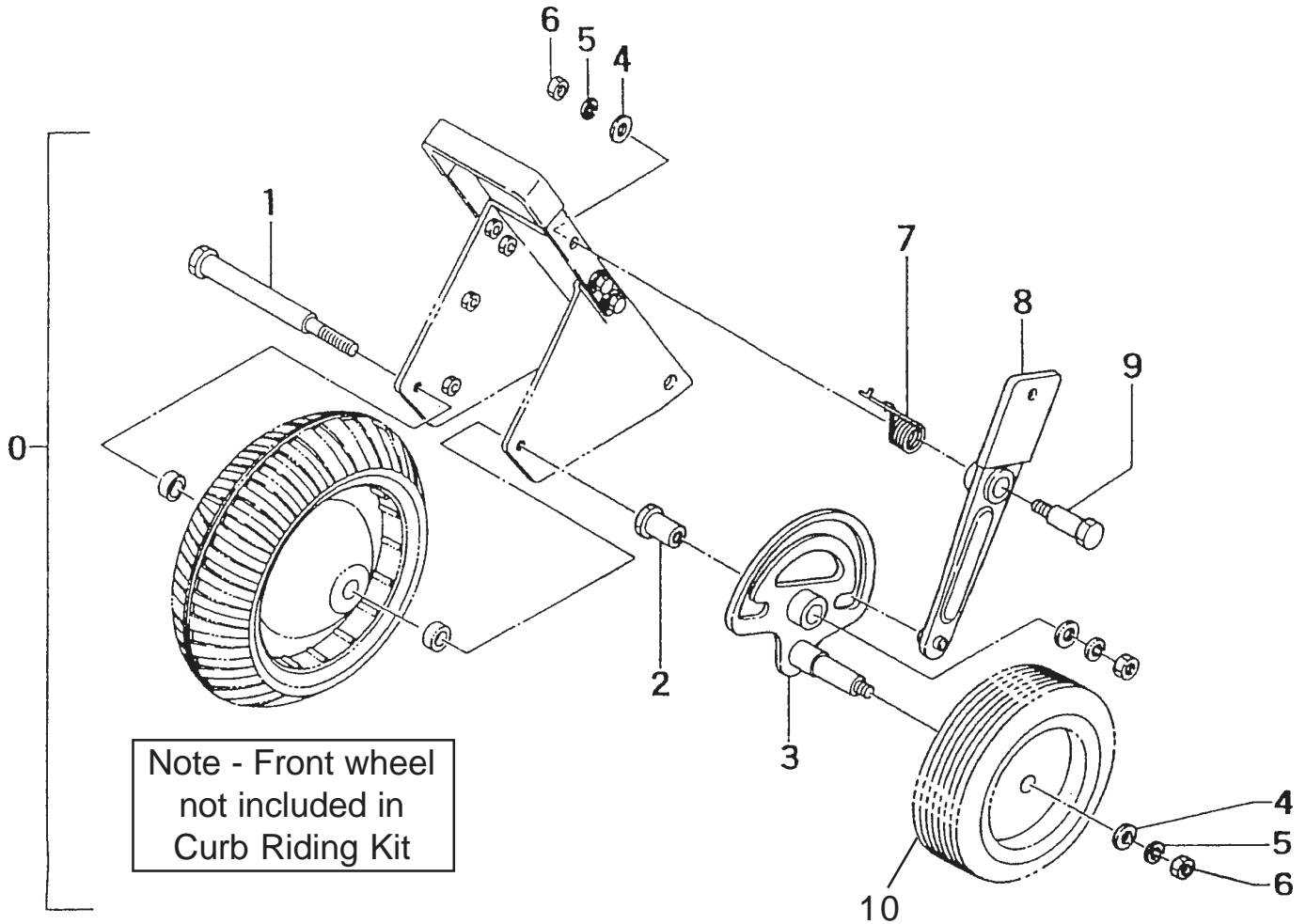


**IMPORTANT!!**  
Wash cleaner element in warm soapy water and squeeze, air dry. Then saturate the sponge in 2 cycle oil or the equivalent, squeeze the sponge to distribute the oil completely and to remove excess oil.



ITEM	PART NUMBER	DESCRIPTION	QTY	COMMENTS
1	752-33900-200	BAR, LOCKING	1	
2	810-20000-200	SPANNER, 13X17	1	
3	036-29331-501	SPANNER, COMBI	1	
5	081-29329-1G	DRIVER, SCREW, 4X50	1	

ITEM	PART NUMBER	DESCRIPTION	QTY	COMMENTS
1	906-33114-200	DECAL	1	
2	919-33111-201	DECAL, CAUTION	1	
3	908-10246-200	DECAL, CHOKE	1	
4	908-33160-21	DECAL, CAUTION	1	
5	915-05015-200	DECAL, SYMBOL	1	
6	918-33117-200	DECAL, CAUTION	1	



ITEM	PART NUMBER	DESCRIPTION	QTY	COMMENTS
0	748011	CURB KIT,TLE-550,600	1	
1	28933111200	SHAFT,FRONT	1	
2	21833110200	NUT,SPECIAL	1	
3	22033110800	HOLDER,WHEEL	1	
4	99201080011	WASHER,8	2	
5	99210080012	WASHER,S,8	2	
6	99101080011	NUT,8	2	
7	22533111200	SPRING,STOPPER	1	
8	22333110800	STAY,STOPPER	1	
9	22633111200	BOLT,SPECIAL	1	
10	1203729480	WHEEL,6"	1	



## FORWARD

This attachment is designed for TANAKA lawn edger, model TLE-550 to make curb-ride edging job easy (CR-KIT) and efficient. (Fig.1)

## HOW TO INSTALL

(During installation, be careful not to hurt yourself with blades)

1. Replace original front shaft with one for curb-riding assembly.
2. Tighten the re-installed shaft with special nut. (Fig.2)
3. Put grease on and around special nut, then mount wheel holder on the special nut. Install washer, spring washer and nut on front shaft and tighten them firmly. (Fig.3)
4. Install special bolt, stopper stay and stopper spring and fix them with 8 mm washers and nut. (Fig.4)

NOTE: When installed, make sure the stopper stay pin is located in the radius slot of wheel holder.

5. Make sure shorter end of stopper spring is attached on front fender and the other end on stopper stay as shown in Fig.5.
6. Install curb-riding wheel on shaft holding the shaft and tire at the most front for easier installation (convexed side should face front wheel side). Then, place washer, spring washer and nut on the shaft and tighten the nut securely. (Fig.5)

## HOW TO OPERATE

1. When you make a curb-riding cut, let curb-riding wheel down by moving stopper stay upwards. (Fig.6) If this is not enough, lift up carrying handle to help move curb-riding wheel down.
2. When you do not use curb-riding wheel, move stopper stay upwards and lift wheel to lock into place. (Fig.6)

NOTE: If stopper stay pin is not locked in place, the curb wheel will not work. If the curb wheel does not roll smoothly, apply some grease to the axle.

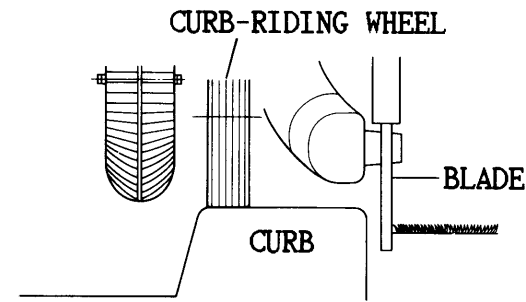


FIG. 1

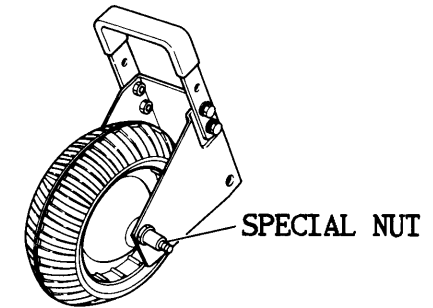


FIG. 2

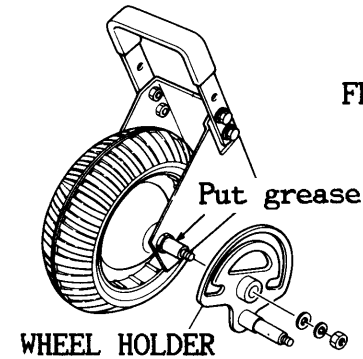


FIG. 3

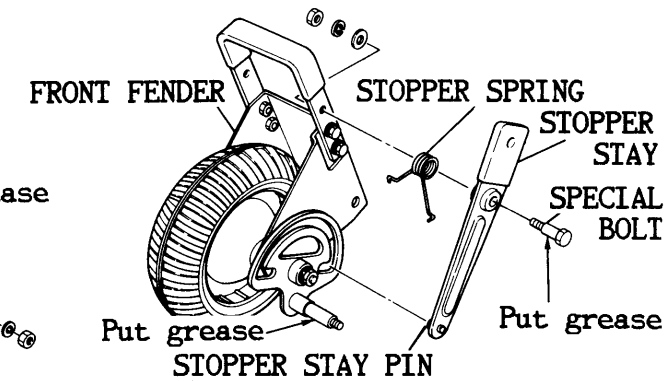


FIG. 4

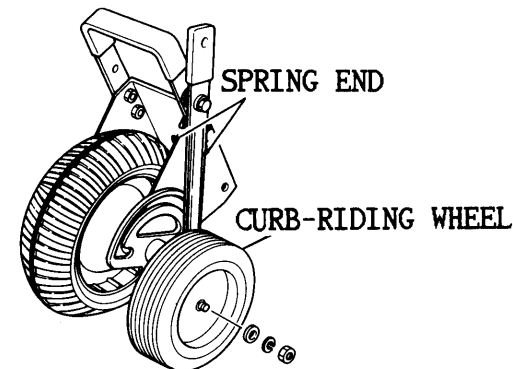


FIG. 5

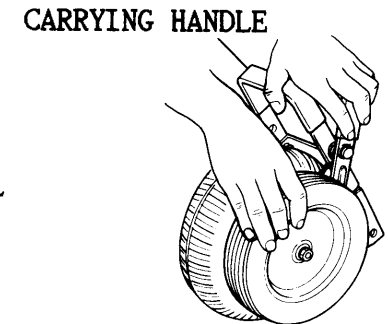
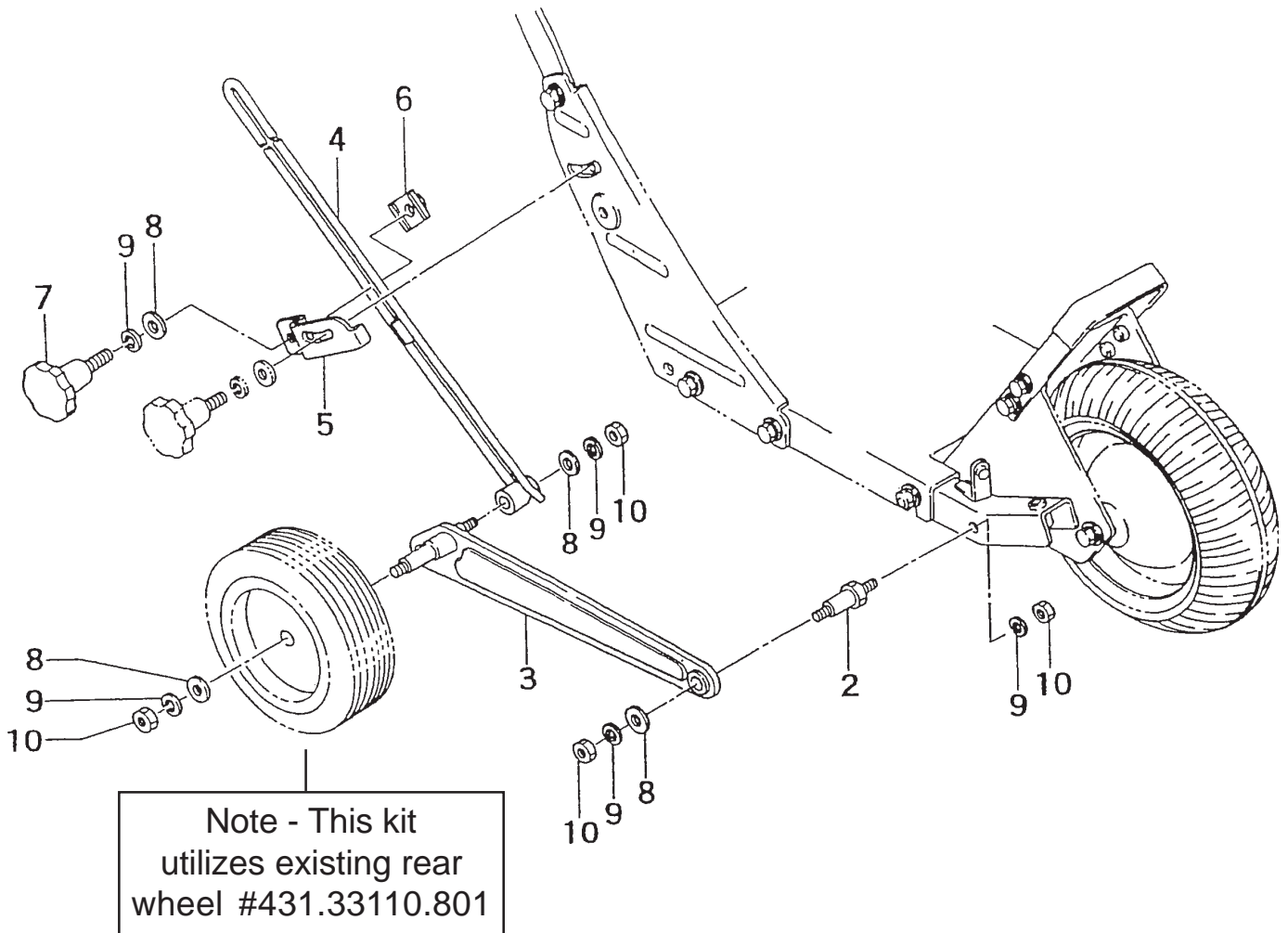


FIG. 6



ITEM	PART NUMBER	DESCRIPTION	QTY	COMMENTS
0	748012	CURB KIT,TLE-550,600	1	
2	38033111200	BOLT,SPECIAL	1	
3	20033110800	BRACKET,WHEEL	1	
4	20533110800	ADJUSTER,WHEEL	1	
5	20833111200	HOLDER,ADJUSTER	1	
6	20933111800	METAL,HOLDER	1	
7	21033110800	HANDLE,LOCK	1	
8	99201080011	WASHER,8	4	
9	99210080012	WASHER,S,8	5	
10	99101080011	NUT,8	4	

## FORWARD

This attachment is designed for Tanaka lawn edger, model TLE-550 to make curb-riding job easy and efficient. This TLE-DW-KIT or drop wheel kit works up to 10 inch curb high with adjustable drop wheel. (Fig.1)

## HOW TO INSTALL

1. Remove right side rear wheel (viewed from operating position) and its wheel shaft using a 17 mm spanner. (Fig.2)
2. Attach special bolt to adjust stay firmly using 8 mm washers and nut provided and apply some grease around the bolt. (Fig.3)
3. Install wheel bracket onto the greased bolt using 8 mm washers and nut provided. (Fig.3)
4. Install adjust holder to handle holder B using fitting knob and washers. (Fig.5)
5. Reinstall dismantled rear wheel onto mounting shaft of wheel bracket (Fig.5), then set wheel adjuster onto the shaft of wheel bracket from the opposite side of handle holder B using 8 mm washers and nut provided. (Fig.4)
6. Mount adjuster holder to handle holder B using washer, lock washer, and fitting knob. Mount wheel adjuster to the adjuster holder using the fitting knob. (Fig.5)
7. Mount holder metal on wheel adjuster with fitting knob while holding wheel adjuster against adjuster holder. (Fig.5)

## HOW TO OPERATE

1. Loosen fitting knob by turning counterclockwise and adjust height of mounted drop wheel according to curb height. Then fix it strongly by turning the knob clockwise.

NOTE: Before operation recheck fixing knob for security. Also during operation see if it is not loose from time to time.

## CAUTION !

1. When loading, unloading or transporting the machine, the drop wheel should be in the upward position so that the edger frame is level. (Fig.6)
2. Periodically apply grease to all moving parts.

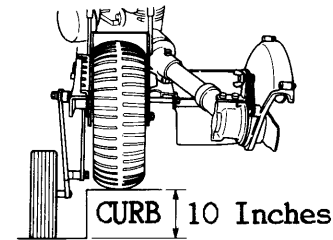


FIG. 1

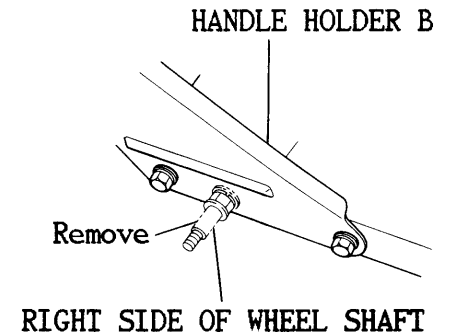


FIG. 2

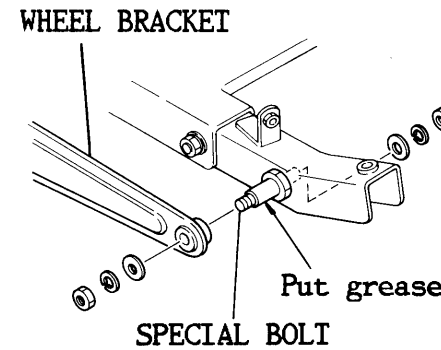


FIG. 3

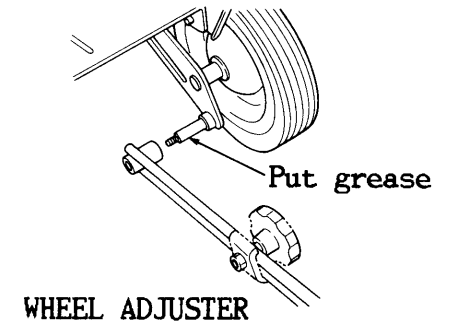


FIG. 4

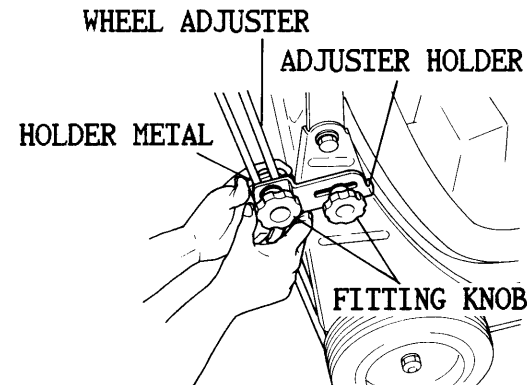


FIG. 5

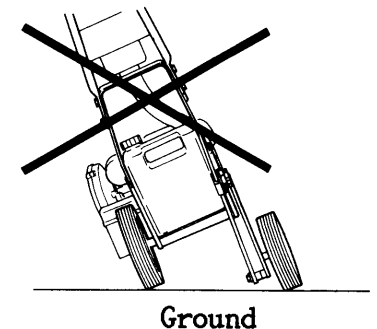


FIG. 6