

# **Tanaka** Illustrated Parts Manual

Model Number:

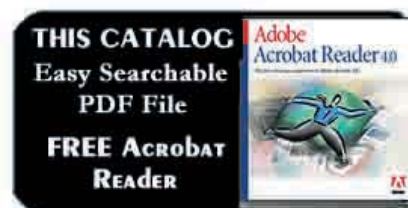
**TIA-340**

**ONE MAN EARTH AUGER**

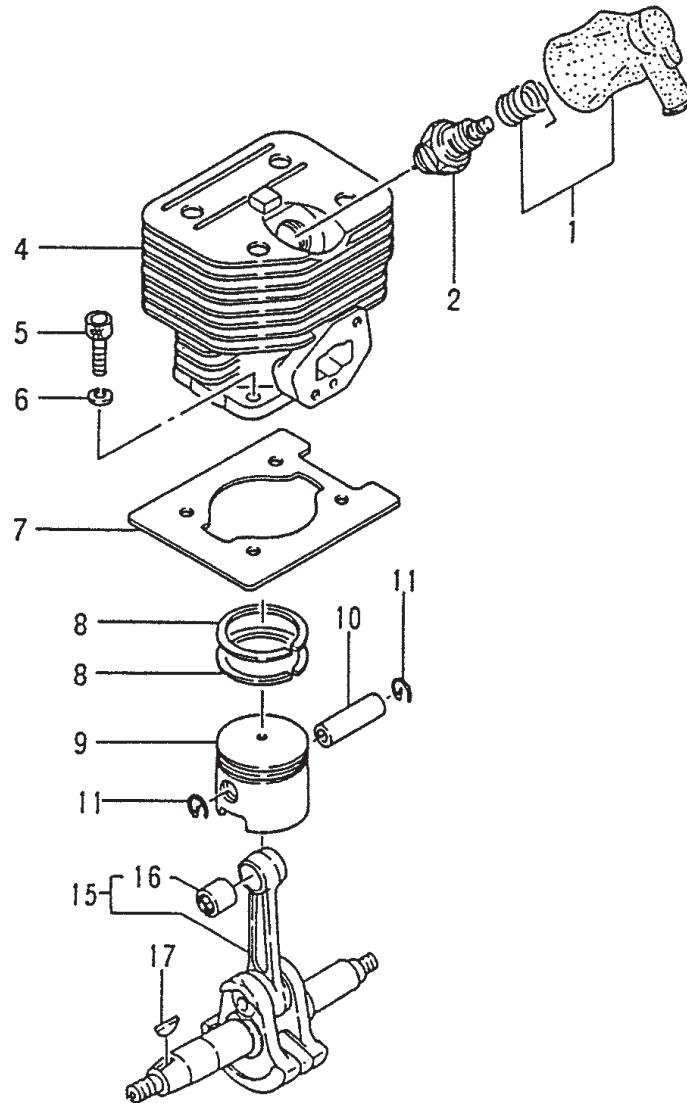
P/N 12432

Rev 001

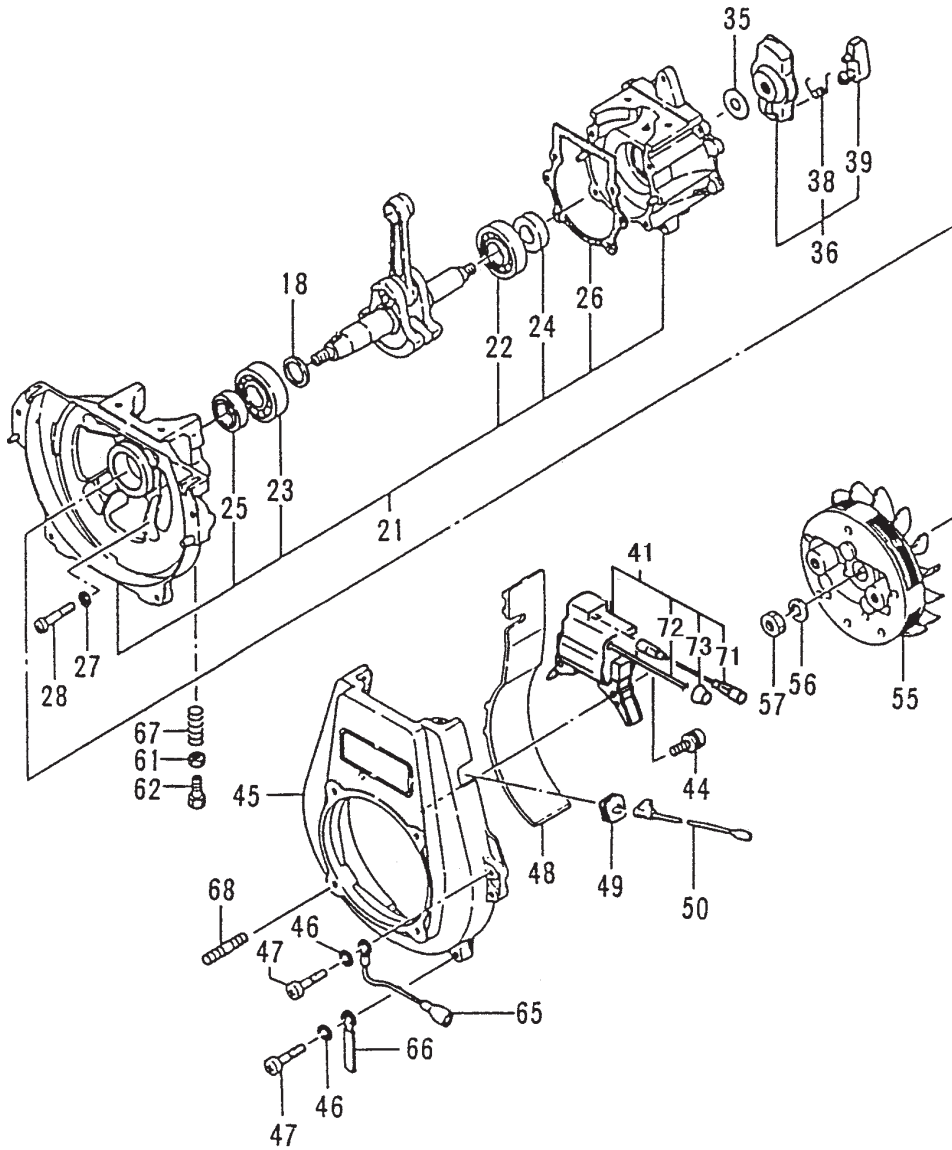
Date 5-4-07



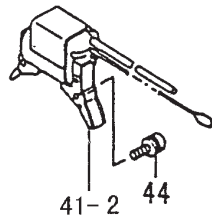
Nikko Tanaka Engineering U.S.A.,Ltd. • 1028 4<sup>th</sup> Street SW, Bldg B • Auburn, WA 98001 • Phone: (253) 333-1200 • Fax: (253) 333-1212



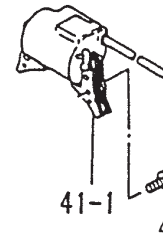
ITEM	PART NUMBER	DESCRIPTION	QTY	COMMENTS / SERIAL NUMBERS
1-1	1570097A900	CAP, SPARK PLUG, ASS'Y	1	
1-2	01802233200	PLUG, SPARK	1	
1-4	0020130C20	CYLINDER	1	~T046354
1-4	0020130220	CYLINDER	1	T046355~
1-5	99051050183	BOLT, HEX, 5X18	4	
1-6	99210050062	WASHER, S, 5	4	
1-7	0170130C20	GASKET, CYLINDER	1	
1-8	04101000201	RING, PISTON, LOWER	2	
1-9	03101400204	PISTON	1	
1-10	03701400200	PIN, PISTON	1	
1-11	03900000201	CIRCLIP, PISTON PIN	2	
1-15	0460136U80	CRANKSHAFT	1	
1-16	99962091325	BEARING, NEEDLE, F-910	1	
1-17	06810100200	KEY, WOODRUFF, 3X13X4.5	1	



(SERIAL NO. -S064061)



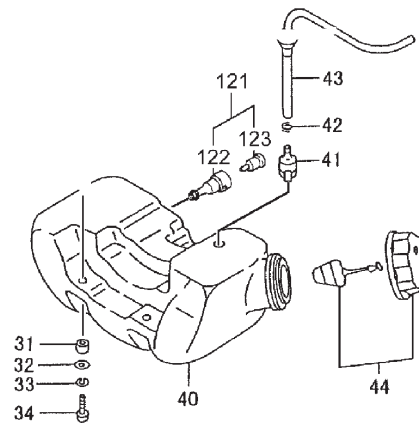
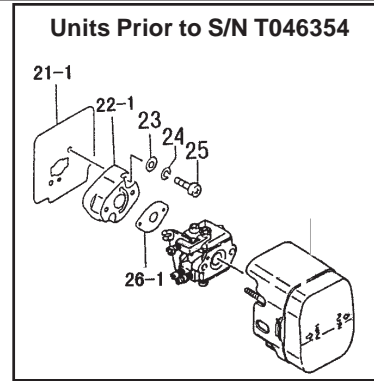
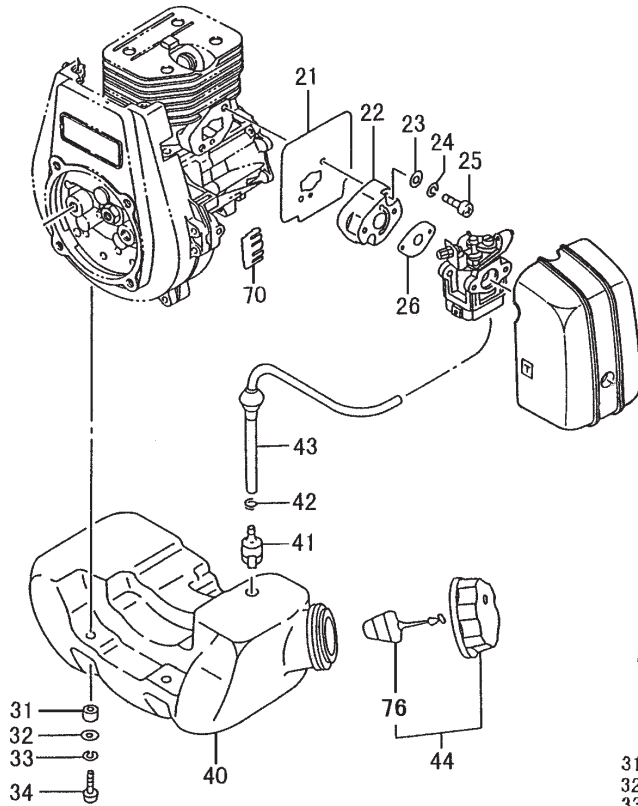
(SERIAL NO. -P247158)



### CRANKCASE, IGNITION, FLYWHEEL • FIGURE 2

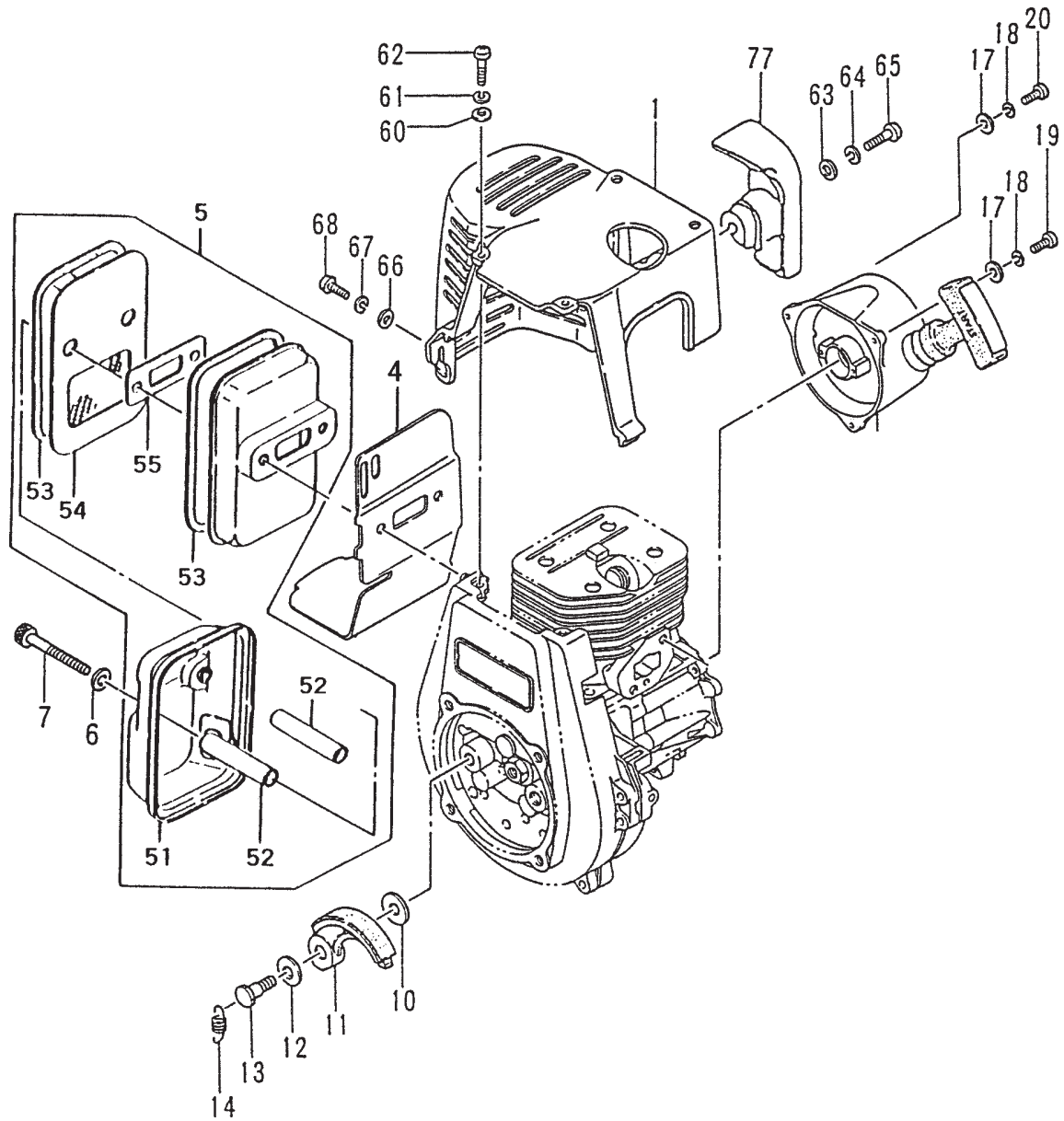
ITEM	PART NUMBER	DESCRIPTION	QTY	COMMENTS / SERIAL NUMBERS
2-18	07102007200	SHIM,15.2X20X.05	1	
2-18	07102007210	SHIM,15.2X20X.10	1	
2-18	07102007220	SHIM,15.2X20X.15	1	
2-18	07111600230	SHIM,16X21X.20	1	
2-18	07111600240	SHIM,16X21X.30	1	
2-21	0720130A91	CRANKCASE,ASSY	1	
2-22	99961600200	BEARING,BALL,#6002	1	
2-23	99961620200	BEARING,BALL,#6202	1	
2-24	99966122206	SEAL,OIL,#TC12227	1	
2-25	99966152511	SEAL,OIL,#VE15X25X7	1	
2-26	0900130020	GASKET,CRANKCASE	1	
2-27	99210050012	WASHER,S,5	4	
2-28	99011050251	SCREW,5X25	4	
2-35	35910112203	WASHER,CLUTCH B	1	
2-36	7980166R90	PULLEY,STARTER,ASS'Y	1	
2-38	7900162V200	SPRING,PAWL,STARTER	1	
2-39	7880138A20	PAWL,STARTER	1	
2-41,1	16721951800	COIL,IGNITION	1	~P247158
2-41,2	1672196080	COIL,IGNITION	1	~S064061
2-41	1672200390	COIL,IGNITION	1	S064062~
2-44	99416040226	SCREW,WS,4X22	2	
2-45	1120136022	CASE,FAN	1	
2-46	99210050012	WASHER,S,5	4	
2-47	99011050181	SCREW,5X18	4	
2-48	13201300200	PAN,FLASH	1	
2-49	2030604A202	GROMMET	1	
2-50	1780137R800	CORD,STOP	1	~N212260
2-50	1780130A800	STOP CORD, B220M	1	N212261~
2-50	1780130A800	STOP CORD, B220M	1	P247159~
2-55	1552173380	ROTOR,MAGNETO	1	
2-56	99201080011	WASHER,8	1	
2-57	99101080011	NUT,8	1	
2-61	99101060013	NUT,6	1	T046355~
2-62	89401401201	RECEIVER,OUTER	1	T046355~
2-65	1790162R800	CORD,STOP	1	N212261~
2-66	19810246800	CLAMP,CORD	1	
2-67	6880130A20	SPRING,RETURN	1	T046355~
2-68	10004001200	BOLT,STUD,6X36	4	
2-71	1780130280	CORD,STOP	1	T046355~
2-72	2642051721	CORD,HIGH TENSION	1	T046355~
2-73	56020517200	CAP,RUBBER	1	T046355~

FUEL SYSTEM • FIGURE 3

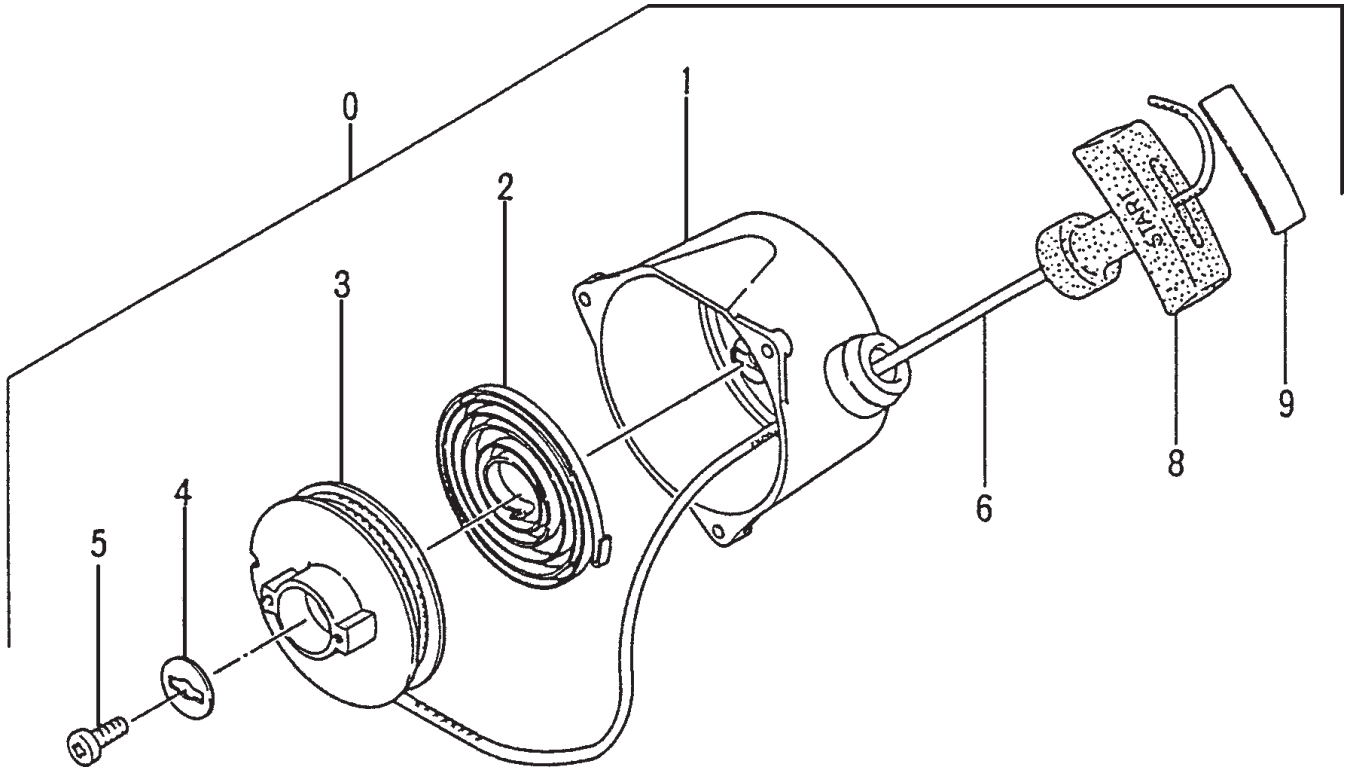


Units After S/N T236911

ITEM	PART NUMBER	DESCRIPTION	QTY	COMMENTS / SERIAL NUMBERS
3-21,1	4030135020	GASKET,INTAKE	1	~T046354
3-21	4030143C20	GASKET,INTAKE	1	T046355~
3-22,1	40401320202	INSULATOR,CARBURETOR	1	~T046354
3-22	4040143C80	INSULATOR,CARBURETOR	1	T046355~
3-23	99200050011	WASHER,SMALL,5	2	
3-24	99210050012	WASHER,S,5	2	
3-25	99011050221	SCREW,5X22	2	
3-26,1	4020060120	GASKET,CARBURETOR	1	~T046354
3-26	4020602K21	GASKET,CARBURETOR	1	T046355~
3-31	65900801200	COLLAR	3	
3-32	99201050011	WASHER,5	3	
3-33	99210050012	WASHER,S,5	3	
3-34	99011050181	SCREW,5X18	3	
3-40	5910138A20	TANK,FUEL	1	~T236910
3-40	5910130H20	TANK,FUEL	1	T236911~
3-41	67501630900	FILTER,FUEL	1	
3-42	68000731201	CLIP 6.3	1	
3-43	22301251901	PIPE,FUEL,3X5X230	1	
3-44	5950502490	CAP,TANK	1	~T236910
3-44	5950503690	CAP,TANK	1	T236911~
3-70	0910130020	PARTITION	1	
3-121	5640661190	VENT,AIR ASS'Y	1	T236911~
3-122	5610007020	COVER,AIR VENT	1	T236911~
3-123	6460661290	VALVE	1	T236911~

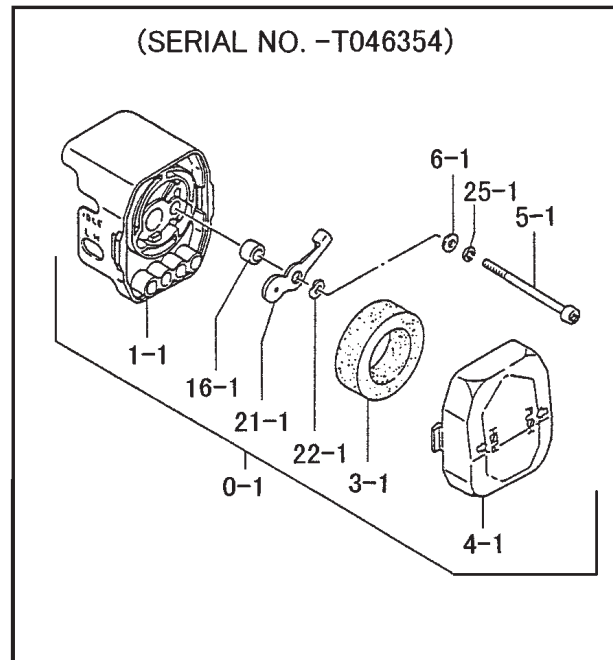
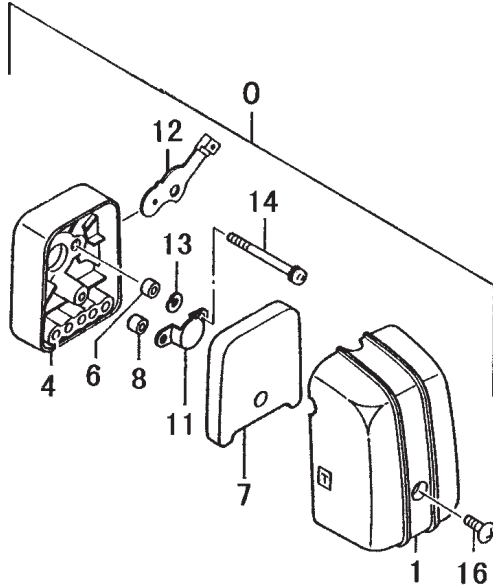


ITEM	PART NUMBER	DESCRIPTION	QTY	COMMENTS / SERIAL NUMBERS
4-1	7380130A21	PROTECTOR,MUFFLER	1	
4-4	1330138021	SHIELD,HEAT	1	
4-5	7050130B90	MUFFLER,ASS'Y	1	
4-6	99201060011	WASHER,6	2	
4-7	99053060653	SCREW,HEX,6X65	2	
4-10	35910112203	WASHER,CLUTCH B	2	
4-11	2760138A90	SET,CLUTCH SHOE/SPRING	1	~P042250
4-11	2900138A80	SHOE,CLUTCH	2	P042251~
4-12	35810112201	WASHER,CLUTCH	2	
4-13	3570136U200	BOLT,STEP,CLUTCH	2	
4-14	3420136U200	SPRING,CLUTCH	1	~P042250
4-14	3420138A20	SPRING,CLUTCH	1	P042251~
4-17	99200040011	WASHER,4	3	
4-18	99210040012	WASHER,S,4	3	
4-19	99011040161	SCREW,4X16	2	
4-20	99011040161	SCREW,4X16	1	
4-51	7170130B80	BODY,MUFFLER B	1	
4-52	7400136G200	COLLAR,MUFFLER	2	
4-53	73901320201	GASKET,MUFFLER	2	
4-54	72201320801	PARTITION,MUFFLER	1	
4-55	7180136S200	FLANGE,MUFFLER	1	
4-60	99201040011	WASHER,4	2	
4-61	99210040012	WASHER,S,4	2	
4-62	99011040121	SCREW,4X12	2	
4-63	99201050011	WASHER,5	1	
4-64	99210050012	WASHER,S,5	1	
4-65	99011050251	SCREW,5X25	1	
4-66	99201040011	WASHER,4	1	P042251~
4-67	99210040012	WASHER,S,4	1	P042251~
4-68	99011040121	SCREW,4X12	1	P042251~
4-77	1320130A20	DEFLECTOR, AIR	1	

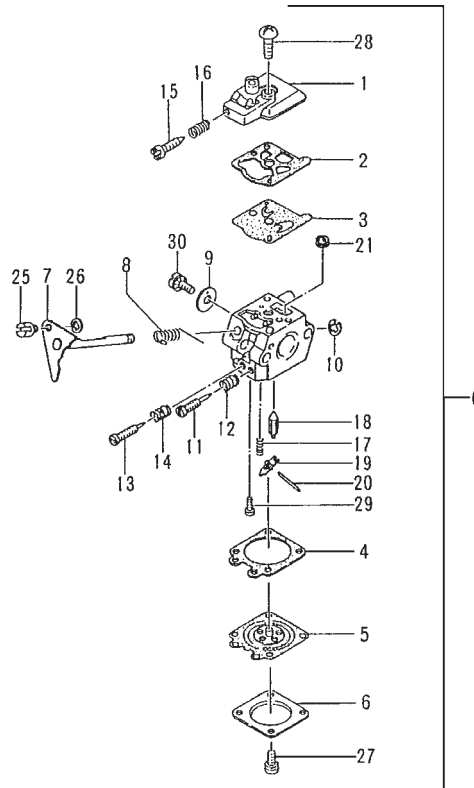


ITEM	PART NUMBER	DESCRIPTION	QTY	COMMENTS / SERIAL NUMBERS
5-0	7620136U901	STARTER,RECOIL ASS'Y	1	
5-1	7720136U80	BODY,STARTER	1	
5-2	7790136U200	SPRING,RECOIL	1	
5-3	7740162V200	REEL,STARTER ROPE	1	
5-4	8010162V200	WASHER,ROPE REEL	1	~Q085400
5-5	8390201020	SCREW,SET	1	
5-6	7830136U200	ROPE,STARTER	1	
5-8	78501620200	HANDLE,STARTER	1	
5-9	79501620200	SEAL,HANDLE KNOB	1	

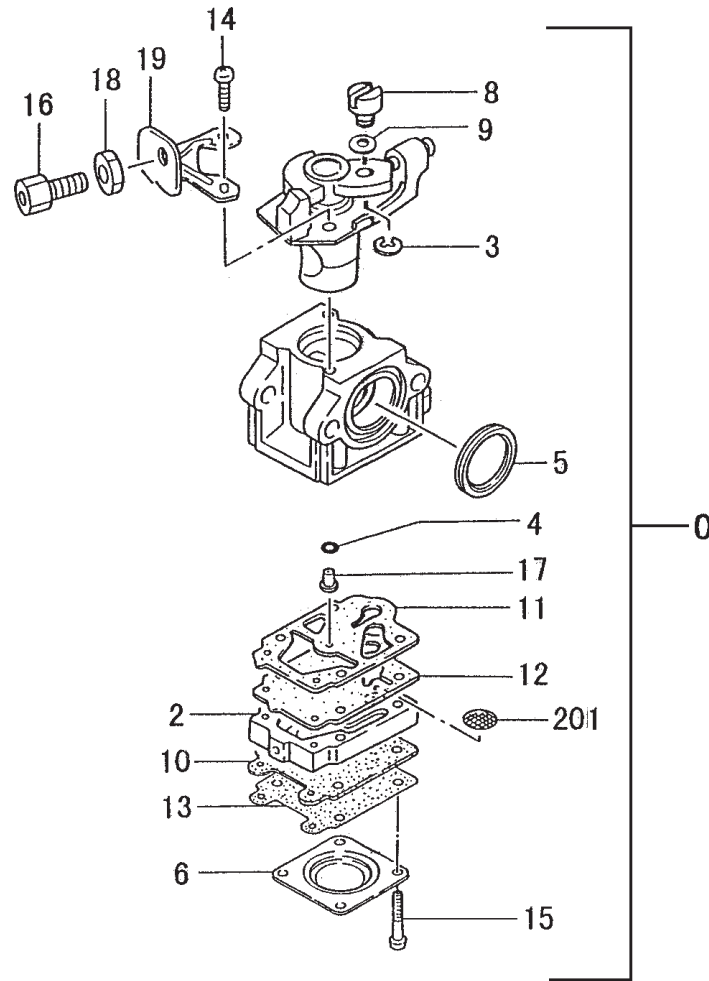




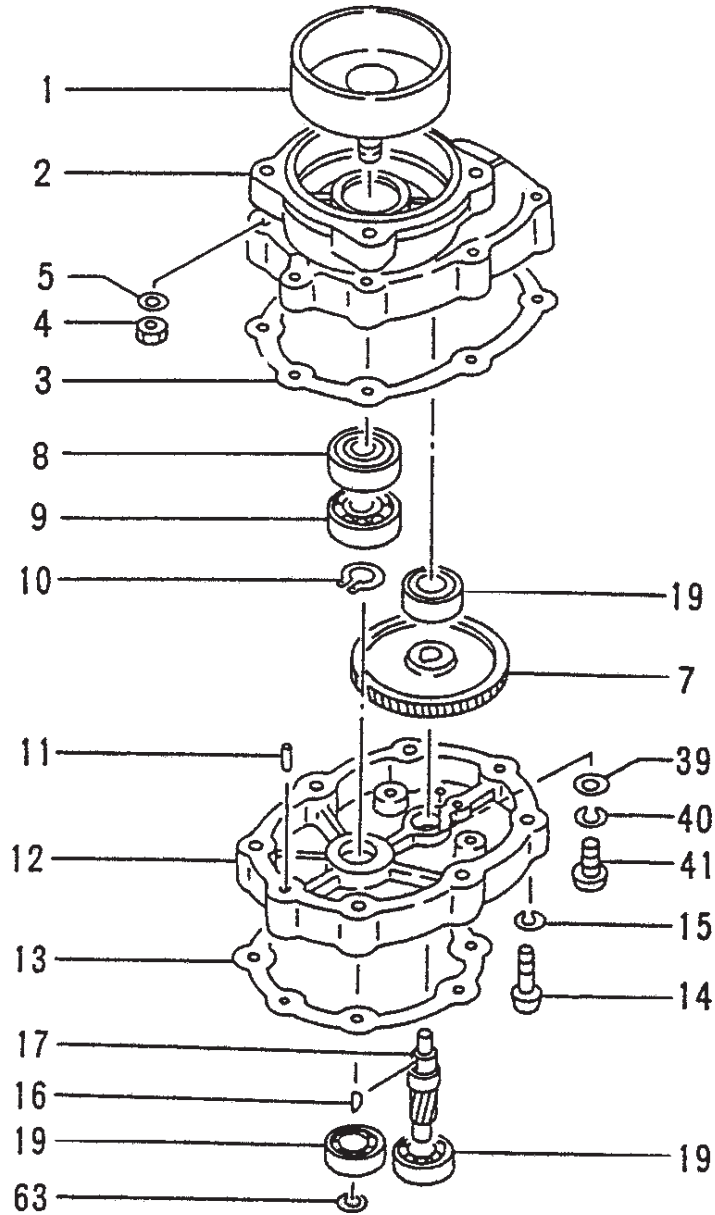
ITEM	PART NUMBER	DESCRIPTION	QTY	COMMENTS / SERIAL NUMBERS
6-0,1	41001380900	CLEANER,AIR ASS'Y	1	~T046354
6-0	4100603190	ASSY,CLEANER	1	T046355~
6-1,1	4230137R20	BODY,AIR CLEANER	1	~T046354
6-3,1	4460602W200	ELEMENT,CLEANER	1	~T046354
6-4,1	4240137R200	COVER,AIR CLEANER	1	~T046354
6-5,1	99011050551	SCREW,5X55	2	~T046354
6-6,1	99201050011	WASHER,5	2	~T046354
6-16,1	4700602N200	COLLAR,CLEANER	2	~T046354
6-21,1	5280602W202	PLATE,CHOKE	1	~T046354
6-22,1	99204080030	WASHER,8	1	~T046354
6-25,1	99210050012	WASHER,S,5	2	~T046354
6-1	4520603121	COVER,CLEANER	1	
6-4	4230138082	BODY,CLEANER	1	
6-6	4700602N200	COLLAR,CLEANER	1	
6-7	4460138020	ELEMENT,CLEANER	1	
6-8	4530637C200	COLLAR	1	
6-11	47601700200	BOARD,BLOW OVER CHECK	1	
6-12	5280603180	PLATE,CHOKE	1	
6-13	99204080030	WASHER,8	1	
6-14	99414050571	SCREW,5X57,S	2	
6-16	3800637C200	BOLT,CLEANER COVER	1	



ITEM	PART NUMBER	DESCRIPTION	QTY	COMMENTS / SERIAL NUMBERS
7-0	4552505890	CARBURETOR, ASS'Y	1	~T046354
7-1	57525006200	BODY, PUMP	1	
7-2	~ ~ ~	GASKET, PUMP	1	~ Contained in Carb Repair Kit
7-3	~ ~ ~	DIAPHRAGM, PUMP	1	P/N 650-25001-910
7-4	~ ~ ~	GASKET, DIAPHRAGM	1	(not available individually)
7-5	~ ~ ~	DIAPHRAGM, METERING	1	
7-6	47625004200	COVER, DIAPHRAGM	1	
7-7	46425041800	SHAFT, THROTTLE	1	
7-8	48625009200	SPRING, THROTTLE	1	
7-9	48825008200	VALVE, THROTTLE	1	
7-10	48925007200	RING, STOP	1	
7-11	4602505320	SCREW, HIGH ADJUST	1	
7-12	48525040200	SPRING, ADJUST, HIGH	1	
7-13	46125023200	SCREW, LOW ADJUST	1	
7-14	62325032200	SPRING, ADJUST, HI/LOW	1	
7-15	46225006200	SCREW, IDLE ADJUST	1	
7-16	46325012200	SPRING, IDLE ADJUST	1	
7-17	47725007200	SPRING, VALVE	1	
7-18	60325001200	VALVE, NEEDLE	1	
7-19	47325001200	HINGE, VALVE	1	
7-20	60525001200	PIN, HINGE	1	
7-21	57825007200	SCREEN, INLET	1	
7-25	53925008200	SWIVEL	1	
7-26	48925008200	RING, STOP	1	
7-27	54825012200	SCREW, SET	4	
7-28	51425001200	SCREW, SET	1	
7-29	54625001200	SCREW, SET, HINGE PIN	1	
7-30	46725003200	SCREW, SHUTTER	1	

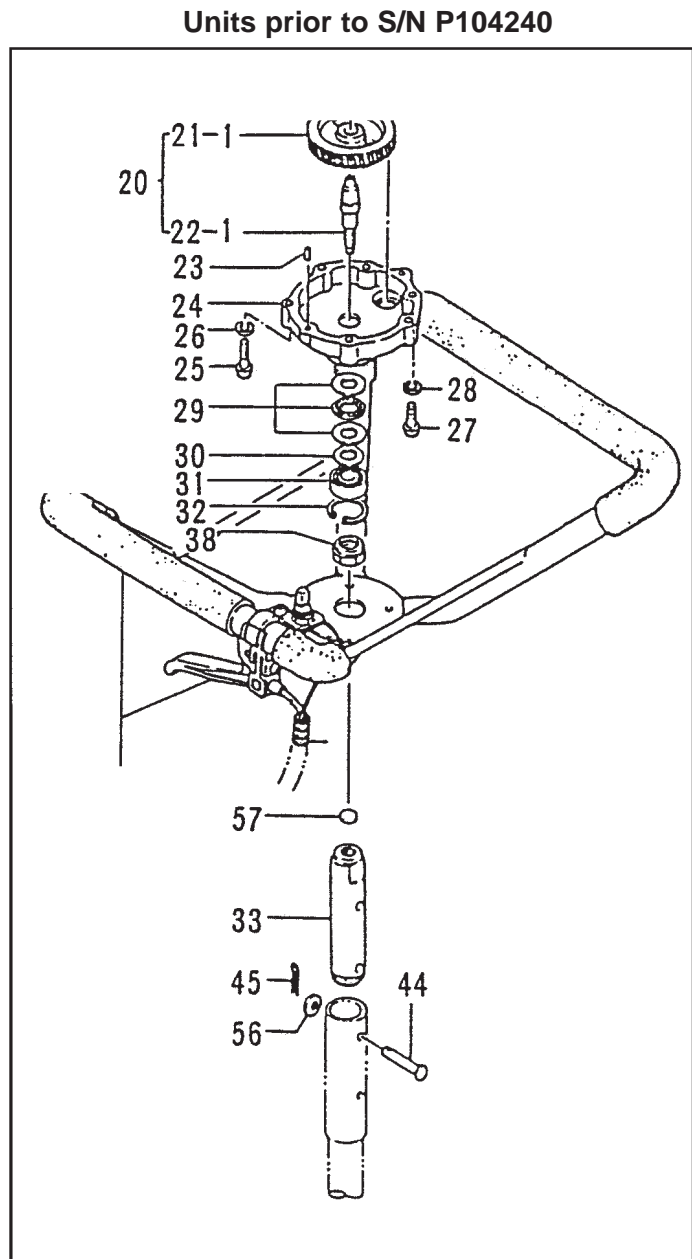
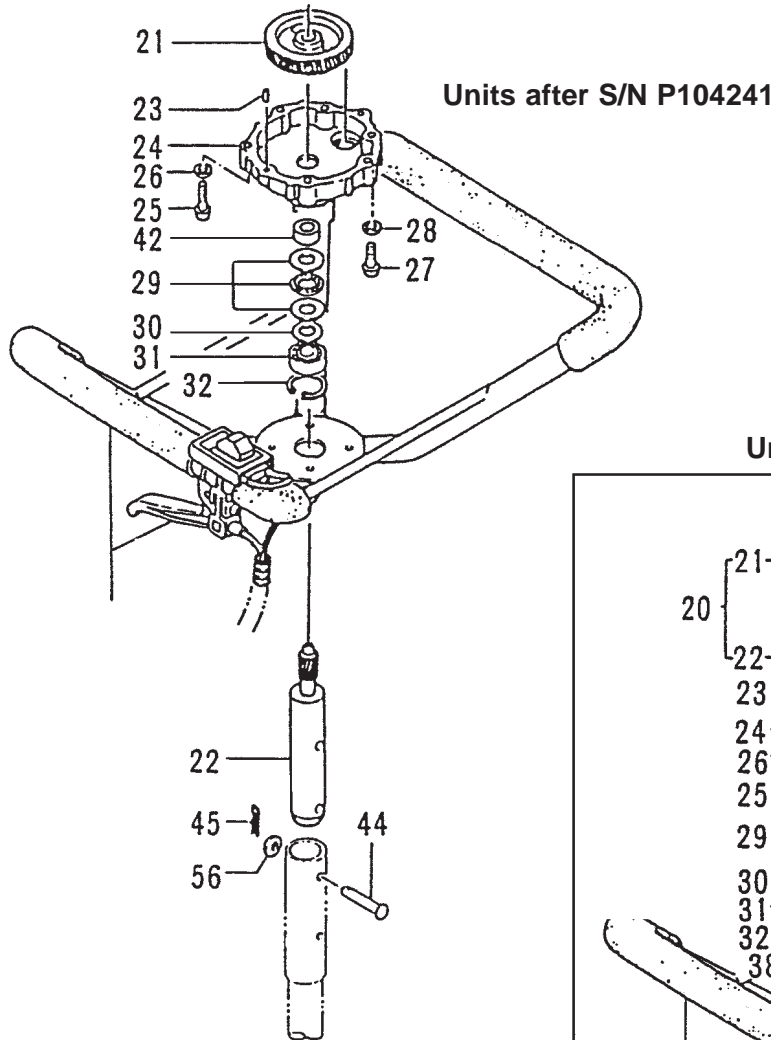


ITEM	PART NUMBER	DESCRIPTION	QTY	COMMENTS / SERIAL NUMBERS
8-0	4552520890	CARBURETOR,ASS'Y	1	T046355~
8-2	5752515280	BODY,PUMP	1	
8-3	48925100200	RING,STOP	1	
8-4	55025100200	O-RING	1	
8-5	4310634C200	GASKET,CLEANER	1	
8-6	47625004200	COVER,DIAPHRAGM	1	
8-8	53925120200	SWIVEL	1	
8-9	5492516520	WASHER,THRUST	1	
8-10	~ ~ ~	GASKET,DIAPHRAGM	1	~ Contained in Carb Repair Kit
8-11	~ ~ ~	GASKET,PUMP	1	P/N 650-25124-900
8-12	~ ~ ~	DIAPHRAGM,PUMP	1	(not available individually)
8-13	~ ~ ~	DIAPHRAGM,METERING	1	
8-14	51425100200	SCREW,THROTTLE SET	2	
8-15	54825101200	SCREW,SET	4	
8-16	61425137200	ADJUSTER,CABLE	1	
8-17	5992000W430	JET,MAIN,#43	1	
8-18	99101060013	NUT,6	1	
8-19	54425164200	STAY,ADJUST,CABLE	1	
8-201	57825007200	SCREEN,INLET	1	

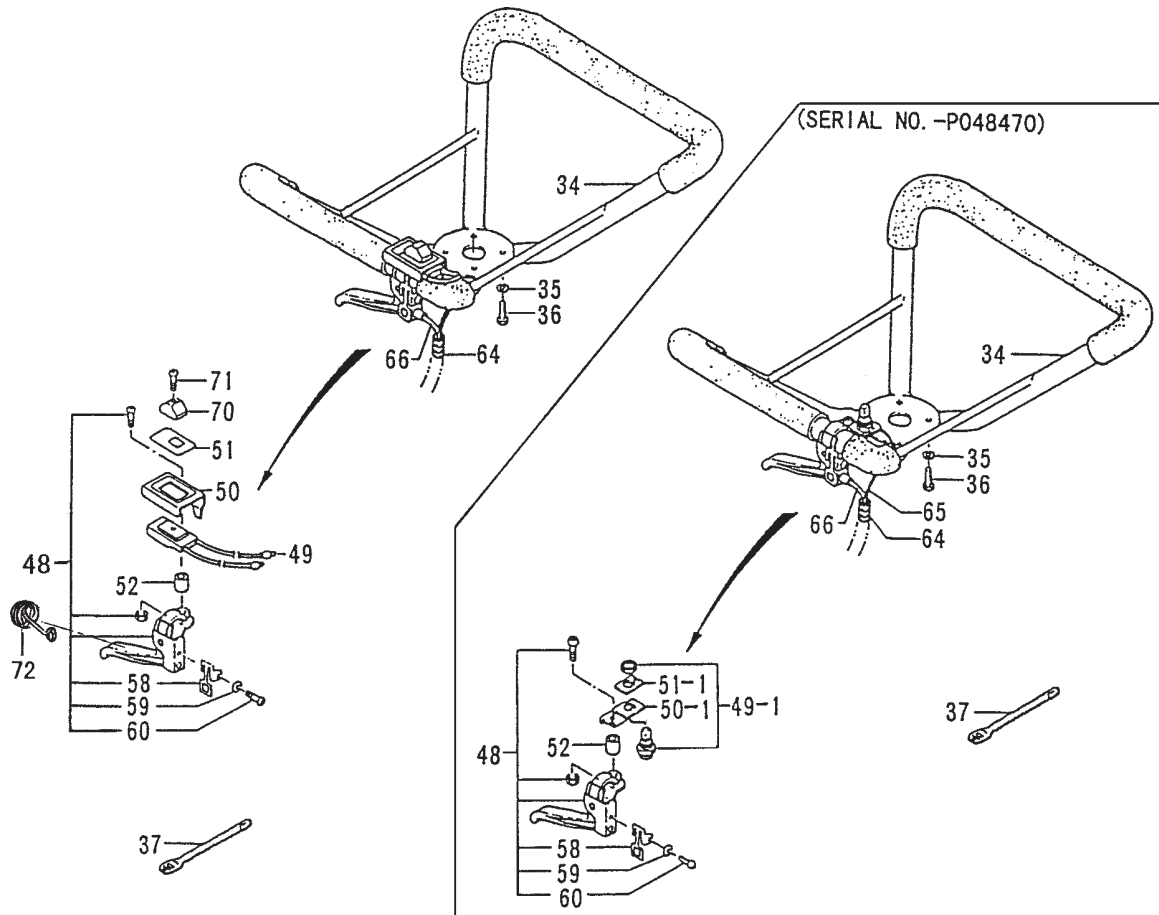


### GEAR CASE, HANDLE • FIGURE 9

ITEM	PART NUMBER	DESCRIPTION	QTY	COMMENTS / SERIAL NUMBERS
9-1	22632420803	HOUSING,CLUTCH	1	~P104240
9-1	2263246680	HOUSING,CLUTCH	1	P104241~
9-2	20032420200	CASE,GEAR,A	1	
9-3	20432401203	GASKET,GEAR CASE	1	
9-4	99101060011	NUT,6	4	
9-5	99210060012	WASHER,S,6	4	
9-7	22132401203	GEAR,#2	1	~P104240
9-7	2213246520	GEAR,#2	1	P104241~
9-8	99961620202	BEARING,BALL,#6202Z	1	
9-9	99961620200	BEARING,BALL,#6202	1	
9-10	99350015002	RING,STOP,C-15 EX	1	
9-11	99905041201	PIN,KNOCK,4X12	2	
9-12	20132401203	CASE,GEAR B	1	
9-13	20532401201	GASKET,CASE,GEAR,C	1	
9-14	99011050301	SCREW,5X30	2	
9-15	99210050012	WASHER,S,5	2	
9-16	06811000200	KEY,WOODRUFF,3X15X5.0	1	
9-17	22232420201	GEAR,#3	1	~P104240
9-17	2223246520	GEAR,#3	1	P104241~
9-19	99961600000	BEARING,BALL,#6000	3	
9-39	99201060011	WASHER,6	1	N212261~
9-40	99210060012	WASHER,S,6	1	
9-41	99011060081	SCREW,6X8	1	
9-63	35810112201	WASHER,CLUTCH	1	~P104240
9-63	99350017002	RING,STOP,C17 EX	1	P104241~

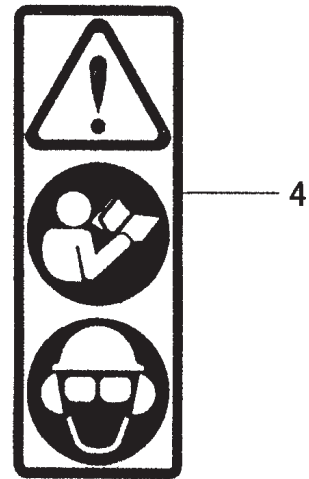
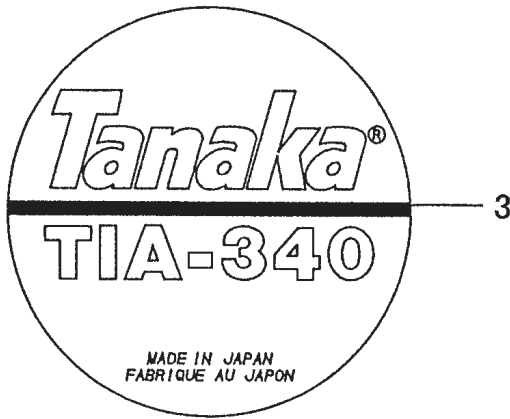
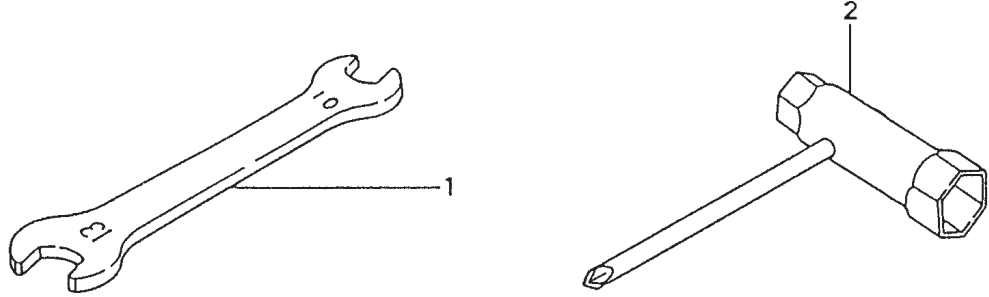


ITEM	PART NUMBER	DESCRIPTION	QTY	COMMENTS / SERIAL NUMBERS
10-20	28632453000	GEAR,#4,ASS'Y	1	~P104241
10-21,1	22332453200	GEAR,#4	1	~P104240
10-21	2233246520	GEAR,#4	1	P104241~
10-22,1	22532453220	SHAFT,GEAR	1	~P104240
10-22	2253246520	SHAFT,DRIVE	1	P104241~
10-23	99905041201	PIN,KNOCK,4X12	2	
10-24	20232401204	CASE,GEAR,C	1	~P104240
10-24	2023246520	CASE,GEAR,C	1	P104241~
10-25	99011050501	SCREW,5X50	4	
10-26	99210050012	WASHER,S,5	4	
10-27	99011050301	SCREW,5X30	2	
10-28	99210050012	WASHER,S,5	2	
10-29	99962173060	BEARING,NEEDLE,1730	1	~P104240
10-29	99962203572	BEARING,THRUST,#2035	1	P104241~
10-30	23032420200	COLLAR,GEAR SHAFT A	1	~P104240
10-30	2303246520	COLLAR,GEAR SHAFT A	1	P104241~
10-31	99961600302	BEARING,BALL,#6003Z	1	~P104240
10-31	99961690401	BEARING,BALL,#6904ZZ	1	P104241~
10-32	99351035002	RING,IN,C-35,STOP	1	~P104240
10-32	99351037002	RING,STOP,C-37	1	P104241~
10-33	07632453210	ADAPTER,A/16 PT.	1	~P104241
10-38	0783245321	NUT,LOCK	1	~P104242
10-42	2313246520	COLLAR,GEAR SHAFT B	1	P104241~
10-44	EBF-PIN	PIN, 8X60mm	2	
10-45	ASP-100	PIN,SNAP,EBF/IBH	2	
10-56	99201080011	WASHER,8	2	
10-57	08532453201	SPACER,ADAPTER	1	~P104241

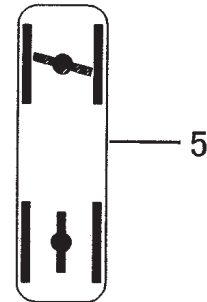


ITEM	PART NUMBER	DESCRIPTION	QTY	COMMENTS / SERIAL NUMBERS
11-34	04932430900	HANDLE,ASS'Y	1	
11-35	99210060012	WASHER,S,6	4	
11-36	99021060181	BOLT,6X18	4	
11-37	90332201200	HOLDER,THROTTLE WIRE	1	
11-48	8700157091	THROTTLE LEVER ASSY	1	
11-49,1	16201570900	SWITCH,STOP,ASS'Y	1	~N212260
11-49	1703246580	BUTTON,SWITCH	1	N212261~
11-50,1	64004035200	BRACKET,STOP BUTTON	1	~N212260
11-50	6403246520	BRACKET,STOP BUTTON	1	N212261~
11-51,1	18301300200	NAME PLATE,SWITCH	1	~N212260
11-51	9253317620	DECAL,STOP BUTTON	1	N212261~
11-52	09601570200	COLLAR,4.5	1	
11-58	95801570200	SPRING,LOCK,BUTTON	1	
11-59	99201050061	WASHER,5	1	
11-60	99011050084	SCREW,5X8	1	
11-64	1641003000	TUBE,PROTECTION	1	~N212260
11-64	1641002500	TUBE,PROTECTION,10X250	1	N212261~
11-65	1780162R800	CORD,STOP	1	N212261~
11-66	8850130A80	WIRE,THROTTLE	1	~T046354
11-66	8850130880	WIRE,THROTTLE	1	T046355~
11-70	2581165020	BUTTON,STOP	1	N212261~
11-71	99011030101	SCREW,3X10	1	N212261~
11-72	1053247320	SPRING,THROTTLE LEVER	1	T046355~

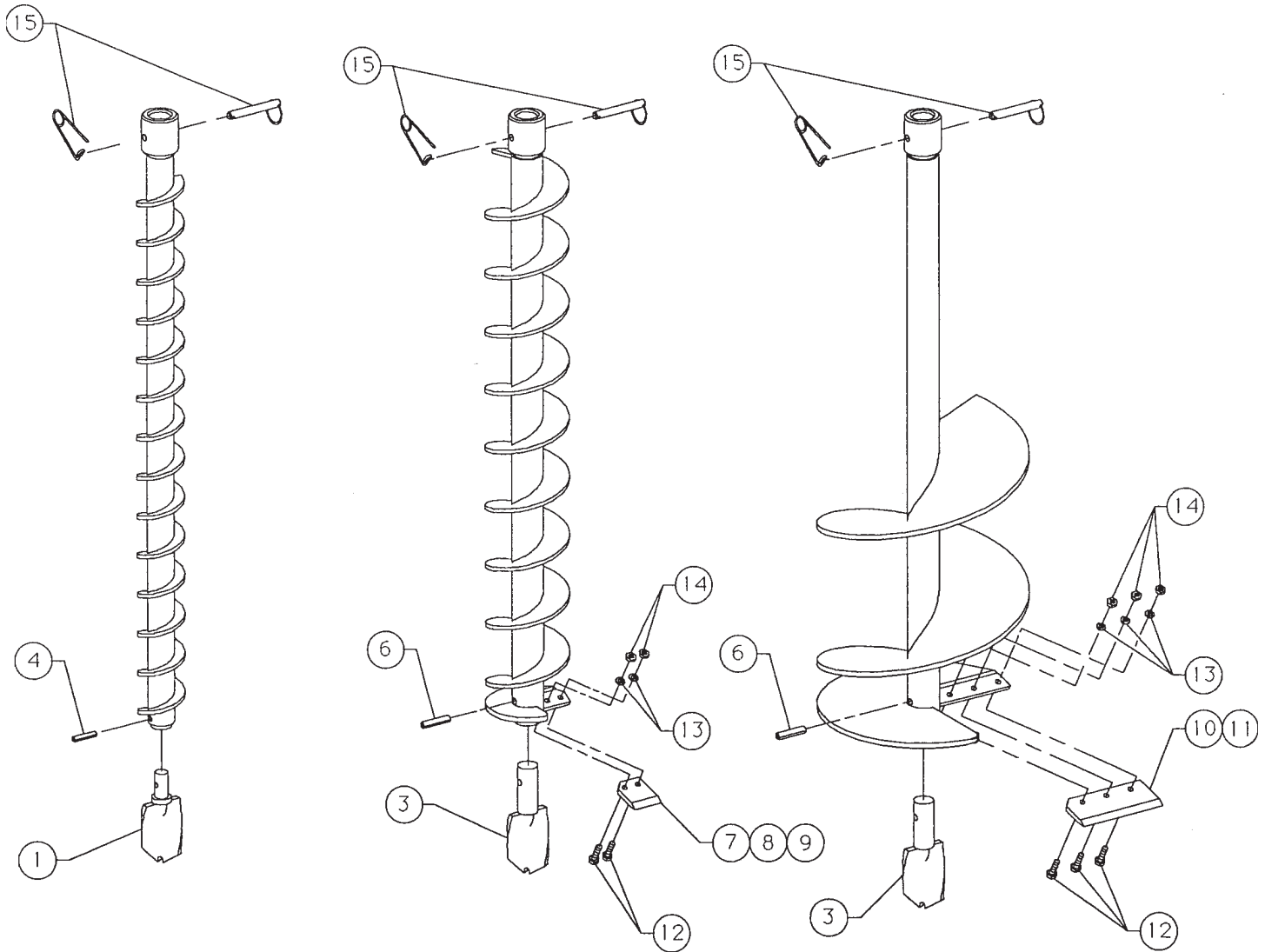




10  
**WARNING** Manufactured with 1,1,1-trichloroethane, a substance which harms public health and environment by destroying ozone in the upper atmosphere.

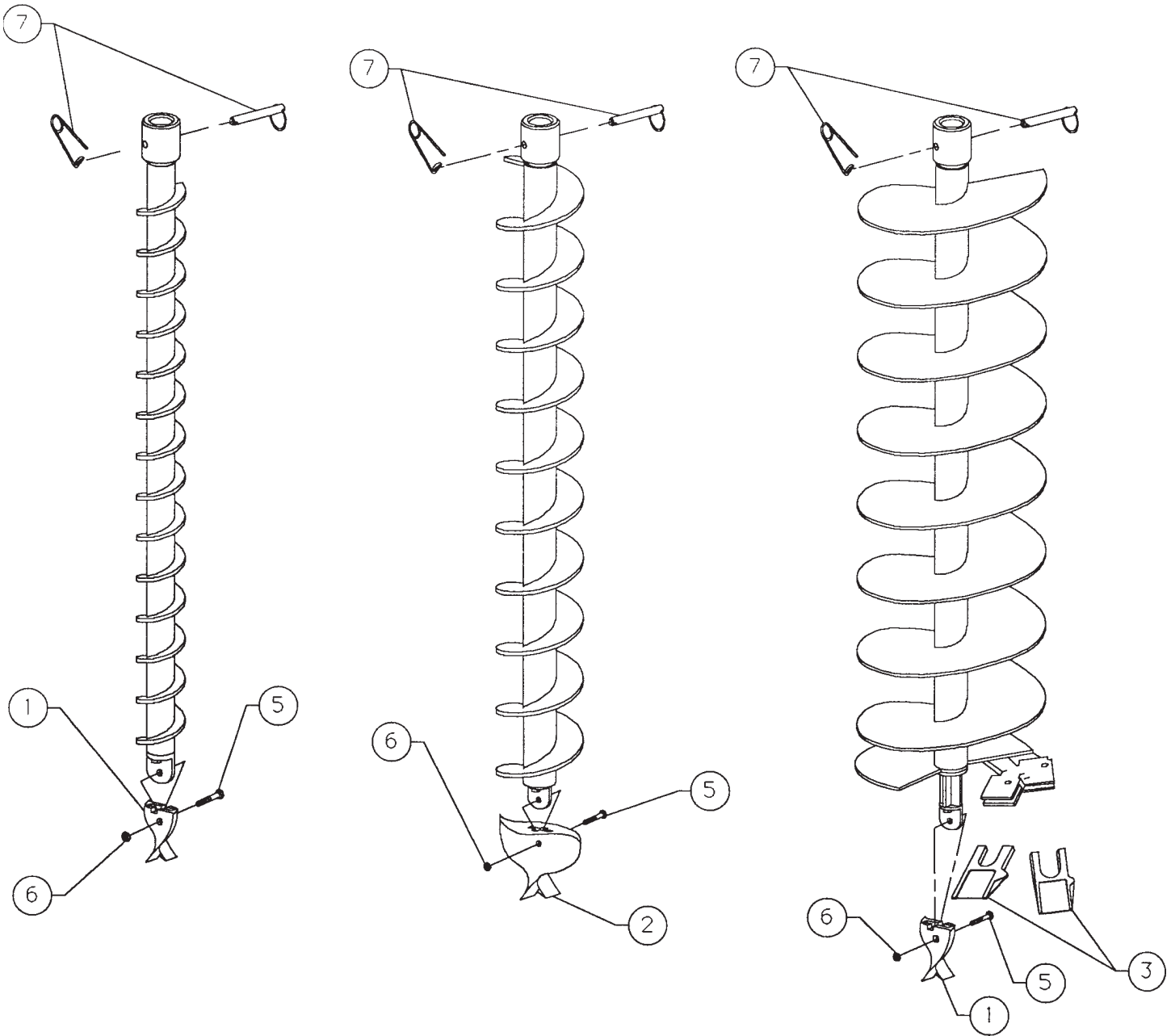


ITEM	PART NUMBER	DESCRIPTION	QTY	COMMENTS / SERIAL NUMBERS
12-1	80820000200	SPANNER, 10X13	1	
12-2	03629331501	SPANNER, COMBI	1	
12-3	9060130B20	NAME PLATE	1	
12-4	9203246620	DECAL, CAUTION	1	Q246392~
12-5	9080163P20	DECAL, CHOKE	1	T046355~
12-10	9200650A20	DECAL, WARNING	1	N212261~
12-10	9200650A20	DECAL, WARNING	1	N212261~

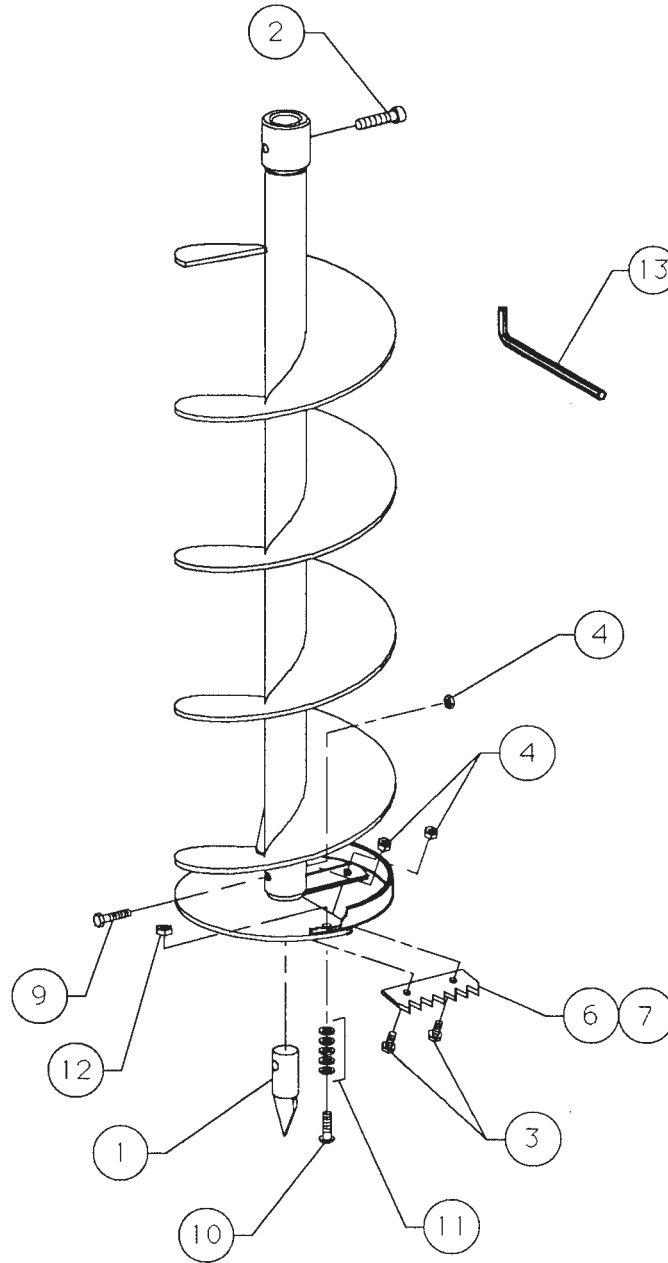


ITEM	PART NUMBER	DESCRIPTION	QTY	APPLICATION	COMMENTS
1	EBF-KIT	BIT, SCREW (EARTH ONLY)	1	EBF-02	
3	EBF-TIP	TIP	1	EBF-04 THRU EBF-12	
4	N/A	PIN, ROLL, 1/4" X 1-1/4"	1	EBF-02	STD HARDWARE ITEM
6	N/A	PIN, ROLL, 5/16" X 1-1/2"	1	EBF-04 THRU EBF-12	STD HARDWARE ITEM
7	CB-04	BLADE, 4"	1	EBF-04	
8	CB-06	BLADE, 6"	1	EBF-06	
9	CB-08	BLADE, 8"	1	EBF-08	
10	CB-10	BLADE, 10"	1	EBF-10	
11	CB-12	BLADE, 12"	1	EBF-12	
12	N/A	SCREW, CAP, HEX, 1/4 UNC X 7/8"	2,3	EBF-04 THRU EBF-12	STD HARDWARE ITEM
13	N/A	WASHER, LOCK, 1/4"	2,3	EBF-04 THRU EBF-12	STD HARDWARE ITEM
14	N/A	NUT, HEX, 1/4-20 UNC	2,3	EBF-04 THRU EBF-12	STD HARDWARE ITEM
15	EBF-PIN	PIN, AUGER	1	ALL AUGERS	
N/A	EBF-EXT	EXTENSION, 15"	1	ALL AUGERS	EXTENSION NOT SHOWN

EBF-02 = 745401, EBF-04 = 745402, EBF-06 = 745403, EBF-08 = 745404, 745405 = EBF-10, 745406 = EBF-12



ITEM	PART NUMBER	DESCRIPTION	QTY	APPLICATION	COMMENTS
1	28295	BIT,SCREW (EARTH ONLY)	1	EBF-02P, EBF-06P, EBF-08P	
2	30059	BIT,SCREW (EARTH ONLY)	1	EBF-04P	
3	28185	TOOTH,PENGO	2	EBF-06P, EBF-08P	HARD FACED
5	N/A	SCREW,CAP,5/16" X 1-1/2" UNC	1	ALL AUGERS	STD HARDWARE ITEM
6	N/A	NUT,HEX,5/16" UNC	1	ALL AUGERS	STD HARDWARE ITEM
7	EBF-PIN	PIN,AUGER	1	ALL AUGERS	
N/A	EBF-EXT	EXTENSION,15"	1	ALL AUGERS	EXTENSION NOT SHOWN
<b>EBF-02P = 747401, EBF-04P = 747402, EBF-06P = 747403, EBF-08P = 747404</b>					



ITEM	PART NUMBER	DESCRIPTION	QTY	APPLICATION	COMMENTS
1	2424-1	BIT, SCREW (ICE ONLY)	1	ALL ICE AUGERS	
2	N/A	SCREW, ALLEN, 5/16" X 18 X 1-1/4"	1	ALL ICE AUGERS	STD HARDWARE ITEM
3	N/A	SCREW, CAP, 1/4-20 X 5/8"	2,3	ALL ICE AUGERS	STD HARDWARE ITEM
4	N/A	NUT, HEX, NYLOCK, 1/4"	3,4	ALL ICE AUGERS	STD HARDWARE ITEM
6	Y-246	BLADE, 6" (ICE ONLY)	1	IBH-06	
7	Y-248	BLADE, 8" (ICE ONLY)	1	IBH-08	
9	N/A	SCREW, CAP, 1/4-20 X 1-1/4"	1	ALL ICE AUGERS	STD HARDWARE ITEM
10	N/A	SCREW, CAP, 5/16-18 X 1-1/4"	1	ALL ICE AUGERS	STD HARDWARE ITEM
11	N/A	WASHER, FLAT, 1/4"	5	ALL ICE AUGERS	STD HARDWARE ITEM
12	N/A	NUT, HEX, NYLOCK, 5/16-18	1	ALL ICE AUGERS	STD HARDWARE ITEM
13	N/A	WRENCH, ALLEN, 1/4"	1	ALL ICE AUGERS	STD HARDWARE ITEM

IBH-06 = 745413, IBH-08 = 745414