

Hitachi Power Tools

ENGINE TOOL PARTS LIST

■ HEDGETRIMMER
Model THT-2100

2011 • 08 • 17
(E2)



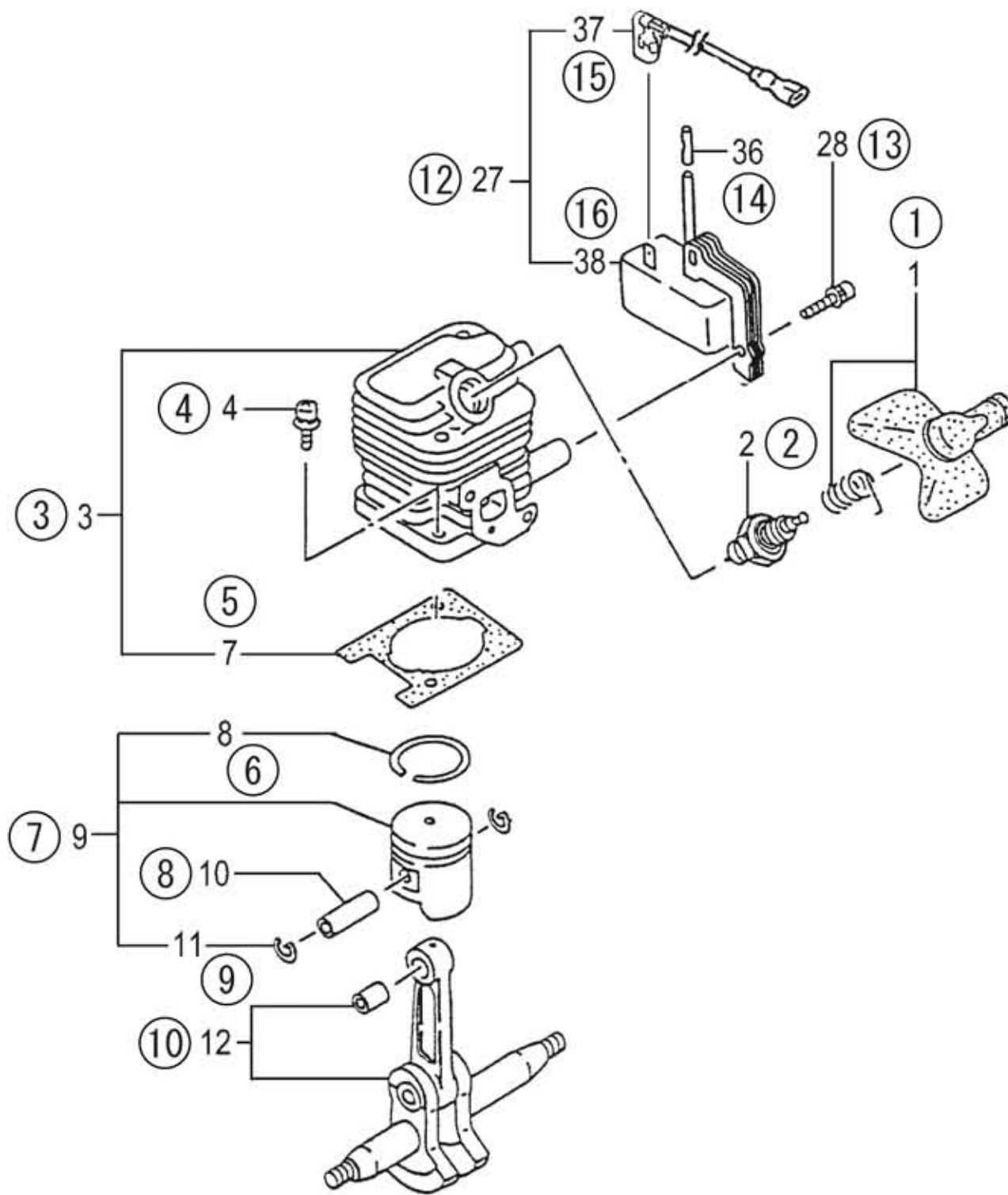
HITACHI
Inspire the Next

Hitachi Koki USA, LTD.

3950 Steve Reynolds Blvd., Norcross, GA 30093 Tel: 770-925-1774 Fax: 770-279-4293

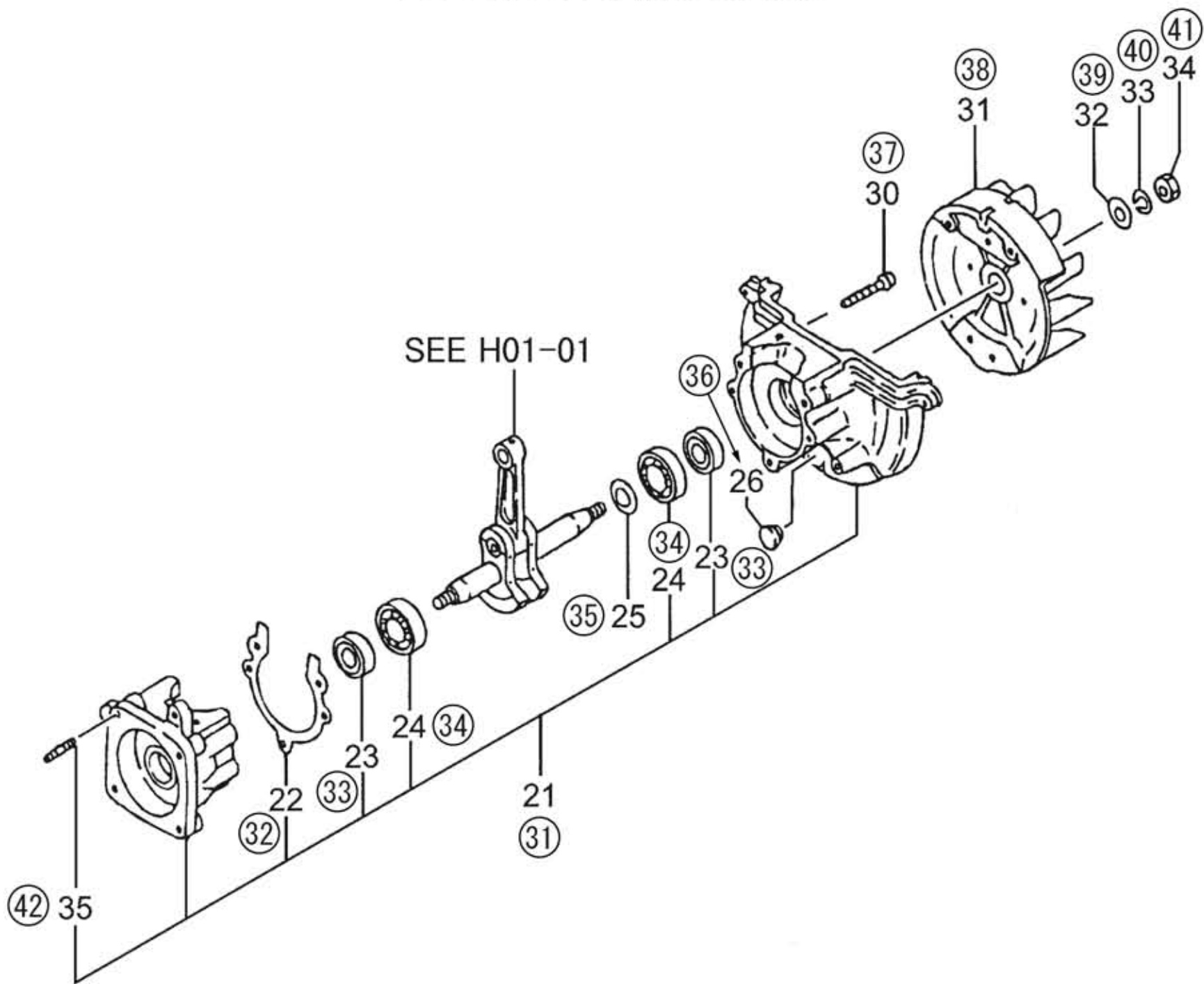
www.hitachipowertools.com

H01-01 CYLINDER/PISTON/CRANK SHAFT



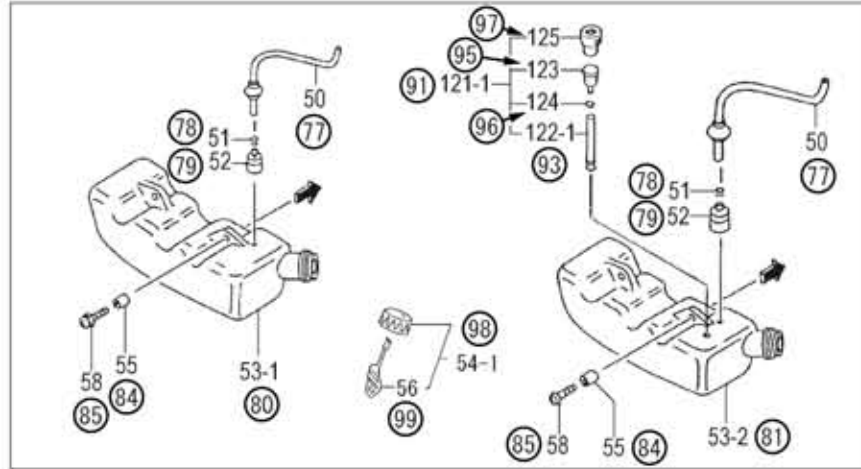
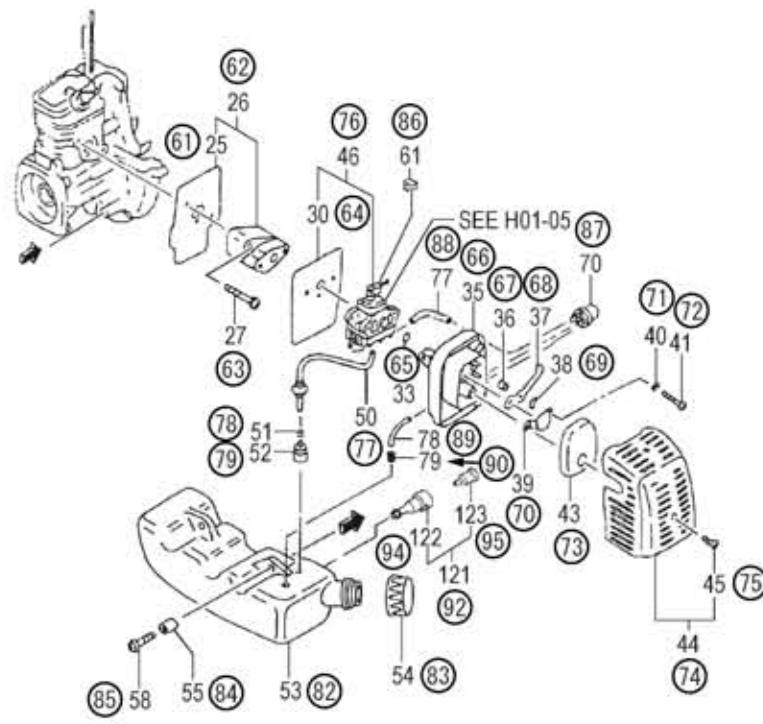
HITACHI NUMBER	REF. NUMBER	PARTS NUMBER	DESCRIPTION	Q'TY	TANAKA PARTS NUMBER
H01-01 CYLINDER/PISTON/CRANK SHAFT					
1	1	668-7476	SPARK PLUG CAP ASS'Y	1	157-06500-91
2	2	668-5085	SPARK PLUG BPM6A	1	018-11660-21
3	3	668-5480	CYLINDER SET	1	001-0650A-90
4	4	668-4586	HEX.HOLE BOLT M5X18/S	2	994-61050-184
5	7	668-5744	CYLINDER GASKET	1	017-06500-20
6	8	668-6118	PISTON RING	1	041-00601-21
7	9	668-5891	PISTON SET, SPARE	1	030-06500-90
7	9	668-5869	PISTON ASS'Y	1	030-00070-90
8	10	668-6015	PISTON PIN	1	037-06500-20
9	11	668-4590	PISTON PIN CIR CLIP	2	039-00601-20
10	12	668-6205	CRANK SHAFT COMP.	1	046-06500-80
10	12	668-6208	CRANK SHAFT COMP.	1	046-06621-80
12	27	669-7150	IGNITION COIL ASS'Y	1	153-21550-91
13	28	668-4599	HEX.HOLE BOLT M4X18/WS	2	994-64040-184
14	36	668-4597	INSULATOR TUBE 50L	1	250-06500-20
15	37	668-7918	CORD 200M	1	178-51705-80
16	38	669-5939	IGNITION COIL COMP	1	167-21550-81

H01-02 CRANK CASE



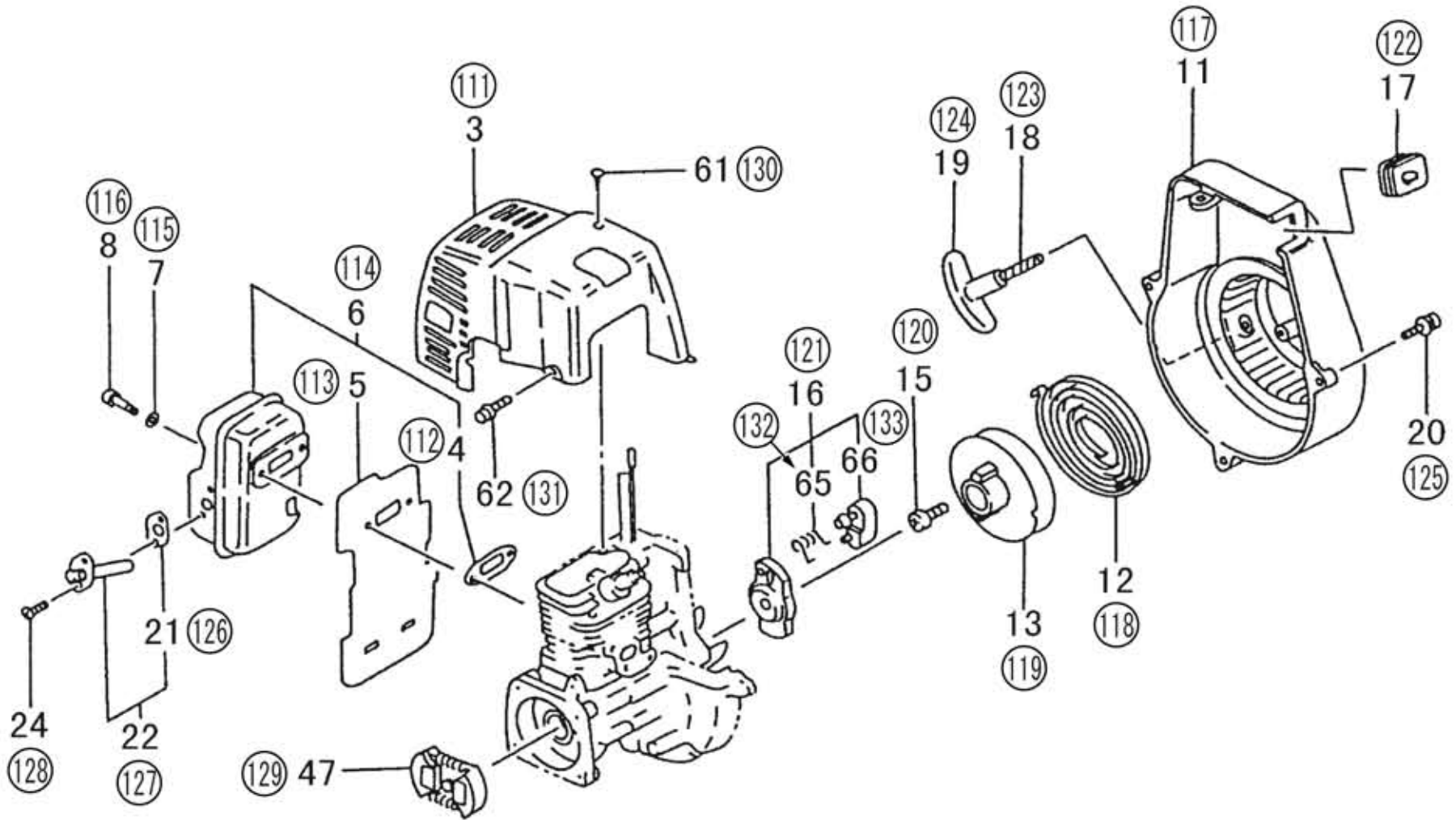
HITACHI NUMBER	REF. NUMBER	PARTS NUMBER	DESCRIPTION	Q'TY	TANAKA PARTS NUMBER
H01-02 CRANK CASE					
31	21	668-6574	CRANK CASE ASS'Y	1	072-06500-90
32	22	668-6720	CRANKCASE GASKET	1	090-06500-20
33	23	668-4607	OIL SEAL TB 12227	2	999-66122-200
34	24	669-5535	BALL BEARING 6001 C3	2	999-61600-115
35	25	668-9177	GEAR SHAFT SHIM 0.10	V	330-00200-21
35	25	668-9178	GEAR SHAFT SHIM 0.15	V	330-00200-22
35	25	668-4604	GEAR SHAFT SHIM 0.20	V	330-00200-23
35	25	668-4605	GEAR SHAFT SHIM 0.30	V	330-00200-24
36	26	669-1822	ANTI-VIBE RUBBER	1	599-00601-20
37	30	668-4786	HEX. SOCKET HD. BOLT M5X30 S	3	994-61050-304
38	31	668-7389	MAGNETO ROTOR COMP.	1	155-21523-80
38	31	668-7396	MAGNETO ROTOR COMP.	1	155-21549-80
39	32	668-4611	WASHER M8	1	992-01080-011
40	33	668-4971	S.WASHER 8	1	992-10080-012
41	34	668-4612	HEX.NUT M8	1	991-01080-011
42	35	668-6771	STUD BOLT 6X22	2	100-02100-20

H01-03 ENGINE-1



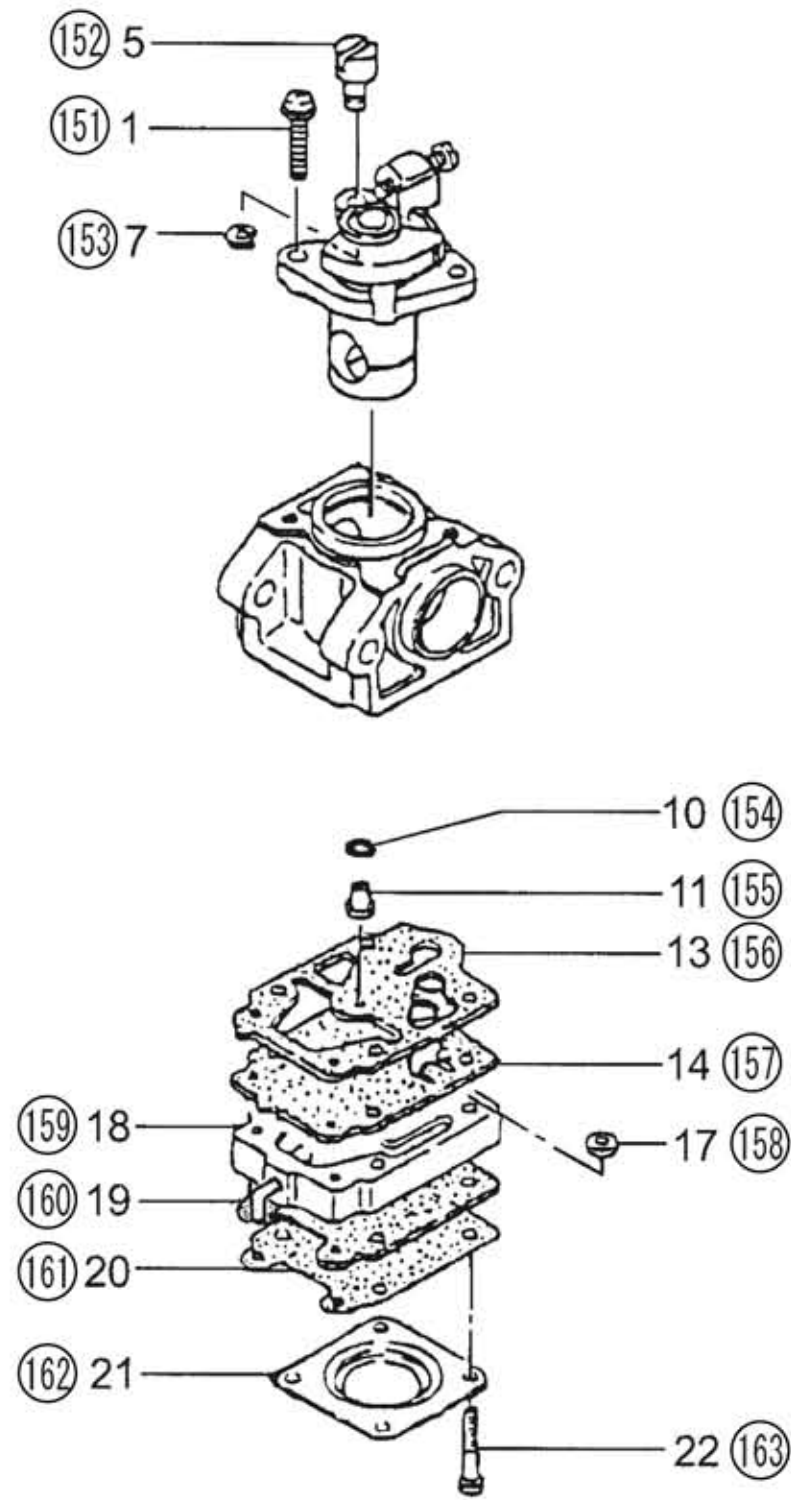
HITACHI NUMBER	REF. NUMBER	PARTS NUMBER	DESCRIPTION	Q'TY	TANAKA PARTS NUMBER
H01-03 ENGINE-1					
61	25	668-9891	INTAKE PIPE GASKET	1	403-06500-20
62	26	668-9966	CARB. INSULATOR SET, SPARE	1	404-06500-90
63	27	669-5515	HEX. HOLE BOLT 5X25WS	2	994-64050-254
64	30	668-9839	CARBURETOR GASKET	1	402-06500-20
65	33	669-5670	O-RING P-15	1	999-67015-000
66	35	669-0119	CLEANER BODY COMP.	1	423-06500-81
67	36	669-0804	COLLAR 7.5	2	470-06500-20
68	37	669-1274	CHOKE VALVE	1	528-0650T-20
69	38	668-4658	WAVE WASHER 8	1	992-04080-031
70	39	669-0843	BLOW OVER CHECK BOARD	1	476-01700-20
71	40	668-4662	S. WASHER 5	2	992-10050-012
72	41	668-4660	SCREW M5X60	2	990-11050-602
73	43	669-0364	CLEANER SPONGE	1	446-06500-21
74	44	669-0415	CLEANER COVER ASS'Y	1	452-06500-91
75	45	668-9737	SPECIAL SCREW	1	380-0637C-20
76	46	669-0481	CARBURETOR SET, SPARE	1	455-06500-90
76	46	669-0487	CARBURETOR SET, WYL 120	1	455-0651A-90
77	50	668-5247	SHIELD TUBE ASS'Y	1	223-06500-90
78	51	668-4619	CLIP, 6.3 DIA.	1	680-00731-20
79	52	668-4620	PUMP FILTER BODY COMP.	1	675-07046-80
80	53-1	669-1562	FUEL TANK	1	591-06500-22
81	53-2	669-1580	FUEL TANK	1	591-06601-21
82	53	669-1649	TANK WHT	1	591-51709-20
83	54	669-1768	TANK CAP ASS'Y, BLACK	1	595-0656B-90
84	55	669-2244	COLLAR 5.8	2	659-00801-20
85	58	669-5505	HEX. HOLE BOLT 5X18PS	2	994-63050-185
86	61	668-4628	SWVEL CAP	1	560-07120-20
87	70	668-5139	PRIMING PUMP COMP.	1	442-25143-80
88	77	669-2347	FUEL PIPE 2.5X4X80	1	700-02504-08
89	78	669-2346	FUEL PIPE 2.5X4X70	1	700-02504-07
90	79	668-4627	RETURN GROMMET	1	534-32710-20
91	121-1	669-1388	AIR VENT ASS'Y	1	564-06601-90
91	121-1	669-1388	AIR VENT ASS'Y	1	564-06601-90
92	121	669-1386	AIR VENT ASS'Y	1	564-04410-90
92	121	669-1389	AIR VENT ASS'Y	1	564-06611-90
93	122-1	669-1397	AIR VENT PIPE	1	565-06601-21
93	122-1	669-1397	AIR VENT PIPE	1	565-06601-21
94	122	669-1395	AIR VENT PIPE	1	565-04410-20
95	123	669-2172	AIR VENT VALVE ASS'Y	1	646-3252L-90
95	123	669-2172	AIR VENT VALVE ASS'Y	1	646-3252L-90
95	123	669-2171	AIR VENT VALVE ASS'Y	1	646-06612-90
96	124	669-2305	CLIP 5.5	1	680-00206-20
96	124	669-2305	CLIP 5.5	1	680-00206-20
97	125	669-1369	AIR VENT RUBBER CAP	1	561-00070-20
97	125	669-1369	AIR VENT RUBBER CAP	1	561-00070-20
98	54-1	669-1716	TANK CAP D ASS'Y, ORANGE	1	595-00093-90
99	56	668-4625	TANK CAP CHAIN	1	626-32550-20

H01-04 ENGINE-2



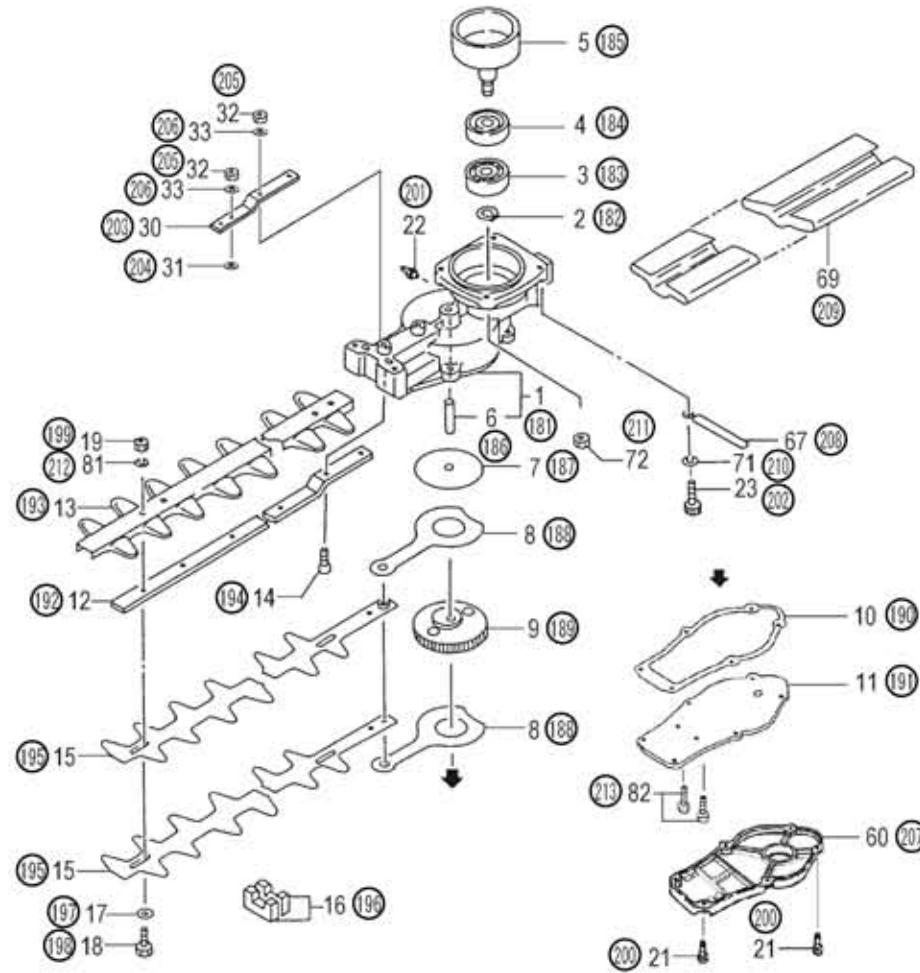
HITACHI NUMBER	REF. NUMBER	PARTS NUMBER	DESCRIPTION	Q'TY	TANAKA PARTS NUMBER
H01-04 ENGINE-2					
111	3	669-2795	MUFFLER PROTECTOR	1	738-06500-20
112	4	669-2744	MUFFLER GASKET	1	737-06500-20
113	5	668-7252	HEAT SHIELD	1	133-06500-20
114	6	669-2483	MUFFLER SET, SPARE	1	704-0651C-91
115	7	668-4661	WASHER 5	2	992-01050-011
116	8	668-5114	HEX. SOCKET HD. BOLT M5X50	2	990-51050-503
117	11	668-7010	FAN CASE COMP., VERMILION	1	112-06500-80
118	12	668-4675	RECOIL SPRING	1	780-06097-20
119	13	669-3066	STARTER ROPE REEL	1	774-06097-20
120	15	669-3633	SET SCREW	1	839-02010-20
121	16	669-3405	STARTER PULLEY ASS'Y	1	798-06500-90
122	17	668-8050	GROMMET	1	203-0604A-20
123	18	669-3168	STARTER ROPE	1	783-06097-20
124	19	669-3237	STARTER HANDLE	1	785-06410-20
125	20	668-4682	HEX. HOLE BOLT 4X15/PS	3	994-63040-154
126	21	669-2886	MUFFLER SPECIAL GASKET	1	751-06500-20
127	22	669-2657	TAIL PIPE SET	1	721-06500-91
128	24	668-5109	MACHINE SCREW (W/SP. WASHER)	2	994-34040-081
129	47	668-8494	CLUTCH ASS'Y 48MM	1	277-0634F-91
130	61	668-4636	TAPPING SCREW D4.5X16	1	990-72045-164
131	62	669-5441	BOLT 4X12PS	2	994-25040-128
132	65	668-4684	STARTER PAWL SPRING	1	790-06097-20
133	66	669-3319	STARTER PAWL	1	788-06500-20

H01-05 CARBURETOR



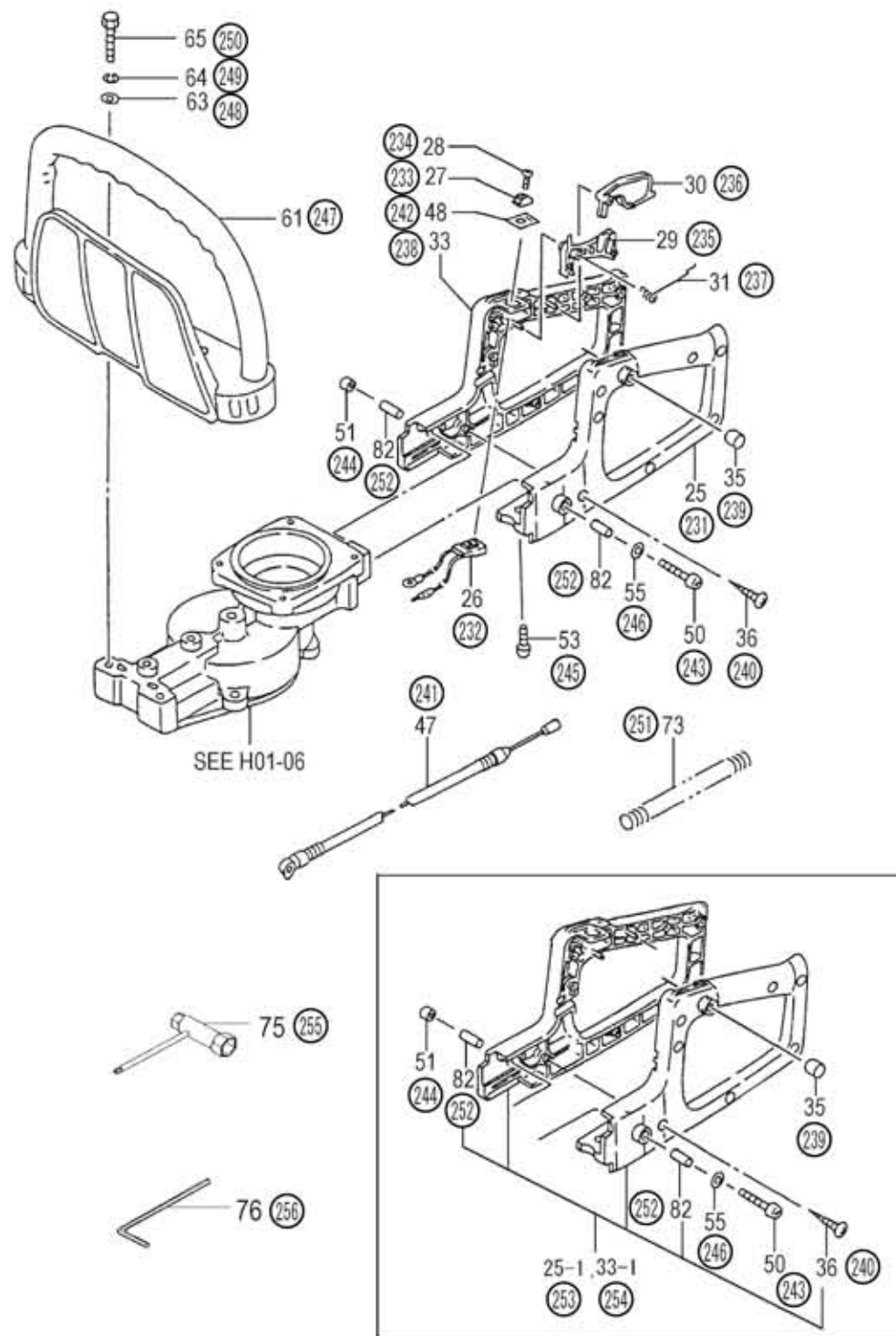
HITACHI NUMBER	REF. NUMBER	PARTS NUMBER	DESCRIPTION	Q'TY	TANAKA PARTS NUMBER
H01-05 CARBURETOR					
151	1	668-4698	THROTTLE SET SCREW	2	548-25140-20
152	5	668-4697	SWVEL	1	539-25120-20
153	7	668-4696	STOP RING	1	489-25100-20
154	10	668-4695	O-RING	1	550-25100-20
155	11	669-1873	MAIN JET #35	1	599-2001W-35
155	11	669-1888	MAIN JET #34.5	1	599-200BW-34
156	13	669-1457	PUMP GASKET	1	577-25100-20
157	14	668-4693	PUMP DIAPHRAGM	1	576-25100-20
158	17	668-4700	INLET SCREEN	1	578-25007-20
159	18	NLA	No Longer Avairable	1	NLA
159	18	669-1430	PUMP BODY COMP.	1	575-25147-80
160	19	669-0837	DIAPHRAGM GASKET	1	475-25001-20
160	19	668-5220	DIAPHRAGM PACKING	1	475-25038-20
161	20	669-0827	METERING DIAPHRAGM COMP. #	1	474-25001-80
162	21	668-5222	DIAPHRAGM COVER	1	476-25004-20
163	22	669-1312	SET SCREW	4	548-25101-20

H01-06 GEAR CASE/BLADE



HITACHI NUMBER	REF. NUMBER	PARTS NUMBER	DESCRIPTION	Q'TY	TANAKA PARTS NUMBER
H01-06 GEAR CASE/BLADE					
181	1	668-8671	GEAR CASE COMP.	1	300-3317A-81
182	2	669-5285	STOP RING C-15, OUTER	1	993-50015-002
183	3	669-5538	BALL BEARING #6002Z, 32MM/OD	1	999-61600-202
184	4	669-5538	BALL BEARING #6002Z, 32MM/OD	1	999-61600-202
185	5	668-8570	CLUTCH DRUM COMP.	1	288-33180-80
186	6	668-8960	GEAR SHAFT	1	305-33160-20
187	7	668-6612	GUIDE PLATE	1	075-33160-20
188	8	668-6811	CAM ROD	2	101-33190-20
189	9	668-8974	GEAR 2	1	307-33180-20
190	10	668-8909	GEAR CASE GASKET	1	303-33160-20
191	11	669-2100	GEAR CASE COVER	1	630-33160-20
192	12	668-7135	CUTTER GUIDE, 625MM	1	122-33160-21
192	12	668-7137	CUTTER GUIDE 625.5L M6	1	122-33178-20
193	13	668-7285	PROTECTION PLATE	1	136-33160-20
193	13	668-7285	PROTECTION PLATE	1	136-33160-20
194	14	669-5073	HEX HOLE FLUSH SCREW 6X16	2	990-52060-165
194	14	669-5075	HEX. HOLE FLUSH BOLT 6X25	2	990-52060-255
195	15	668-7084	CUTTER A (591.5L)	2	120-33160-22
196	16	668-6654	GREASE SEAL A	2	085-33160-20
197	17	668-7187	WASHER 7 BLACK	4	129-33202-20
198	18	668-7160	CUTTER FIXING BOLT A	4	124-33202-21
198	18	668-7158	FIXING BOLT A M6	4	124-32287-20
199	19	668-7155	CUTTER FIXING NUT	4	123-3317A-20
199	19	669-5170	FLANGE NUT 6	3	991-82060-001
200	21	669-5484	HEX. HOLE BOLT 4X10S	8	994-61040-104
200	21	668-4595	HEX.HOLE BOLT M4X12/S	6	994-61040-124
201	22	668-8643	GREASE NIPPLE COMP.	1	300-32250-80
202	23	669-5058	HEX. HOLE BOLT 6X14	2	990-51060-143
202	23	669-5495	HEX. HOLE BOLT 6X18/S	2	994-61060-184
203	30	669-0764	SUPPORT PLATE	1	462-33298-21
204	31	668-4822	SPECIAL WASHER B	1	871-32600-20
205	32	669-5175	NUT 6 UPS-P	3	991-87060-001
206	33	668-4639	WASHER 6	3	992-01060-011
207	60	668-8844	GEAR CASE B	1	301-33160-21
208	67	668-8004	CORD CLAMP COMP.	1	198-05015-80
209	69	668-7299	CUTTER COVER	1	138-33160-20
209	69	668-7301	CUTTER COVER	1	138-33168-20
209	69	668-7299	CUTTER COVER	1	138-33160-20
209	69	668-7301	CUTTER COVER	1	138-33168-20
210	71	669-5219	S.WASHER 6	2	992-10060-012
211	72	669-5475	SPRING NUT 6	2	994-40060-011
212	81	668-4639	WASHER 6	3	992-01060-011
212	81	668-4639	WASHER 6	3	992-01060-011
212	81	668-4639	WASHER 6	3	992-01060-011
212	81	668-4639	WASHER 6	3	992-01060-011
213	82	669-5484	HEX. HOLE BOLT 4X10S	2	994-61040-104

H01-07 HANDLE



HITACHI NUMBER	REF. NUMBER	PARTS NUMBER	DESCRIPTION	Q'TY	TANAKA PARTS NUMBER
H01-07 HANDLE					
231	25	668-6270	HANDLE A	1	050-33150-22
232	26	668-7764	STOP SWITCH COMP.	1	170-3317A-80
233	27	668-8366	BUTTON STOP	1	258-11650-20
234	28	668-4913	SCREW 3X10	1	994-31030-101
235	29	668-8226	THROTTLE LEVER	1	230-33150-20
236	30	668-8235	SAFETY LEVER	1	231-33150-20
237	31	668-8243	THROTTLE LEVER SPRING	1	232-33150-20
238	33	NLA	No Longer Available	1	NLA
238	33	668-6307	HANDLE B	1	051-33150-23
239	35	669-3002	CAP	1	765-32120-20
240	36	669-5263	TAPPING SCREW 4X18	7	993-18041-812
241	47	669-3912	THROTTLE WIRE COMP., 4T	1	885-0651C-80
242	48	669-4585	STOP BUTTON MARK	1	925-32530-20
243	50	669-5350	SCREW 5X45S	1	994-14050-451
244	51	305-5491	NYLON NUT M5	1	991-78050-010
245	53	669-5401	SCREW 6X18PS	1	994-15060-181
246	55	668-4864	SMALL WASHER 5	1	992-00050-011
247	61	668-8096	FRONT HANDLE	1	210-33160-22
248	63	668-4918	WASHER M5	2	992-01050-061
248	63	668-9680	BRAKE SHAFT WASHER	2	368-32057-20
249	64	668-4834	SPRING WASHER 5	2	992-10050-062
250	65	669-5054	HEX. HOLE BOLT 5X40	2	990-51050-403
251	73	668-7522	PROTECTION TUBE, 140L	1	164-07014-00
252	82	669-2244	COLLAR 5.8	2	659-00801-20
253	25-1	669-5871	HANDLE, SPARE	1	050-33150-01
254	33-1	669-5871	HANDLE, SPARE	1	050-33150-01
255	75	668-5997	COMBI. BOX SPANNER 10X19, PLUS	1	036-29331-50
256	76	668-4813	HEX. BAR WRENCH 4MM	1	813-20000-20

ITEM NO.	CODE NO.	DESCRIPTION	NO. USED	REMARKS
1	6687476	SPARK PLUG CAP	1	
2	6685085	SPARK PLUG BPM6A	1	
3	6685480	CYLINDER ASS'Y	1	
4	6684586	HEX.HOLE BOLT M5X18/S	2	
5	6685744	CYLINDER GASKET	1	
6	6686118	PISTON RING	1	
*7	6685891	PISTON SET. SPARE	1	TILL Y307700
*7	6685869	PISTON ASS'Y	1	SINCE Y307701
8	6686015	PISTON PIN	1	
9	6684590	PISTON PIN CIRCLIP	2	
*10	6686205	CRANK SHAFT COMP.	1	TILL F029050
*10	6686208	CRANK SHAFT COMP	1	SINCE F029051
12	6697150	IGNITION COIL ASS'Y	1	
13	6684599	HEX.HOLE BOLT M4X18/WS	2	
14	6684597	INSULATOR TUBE 50L	1	
15	6687918	CORD 200M	1	
16	6695939	IGNITION COIL COMP	1	
31	6686574	CRANK CASE ASS'Y	1	
32	6686720	CRANK CASE GASKET	1	
33	6684607	OIL SEAL TB 12227	2	
34	6695535	BALL BEARING 6001 C3	2	
*35	6689177	GEAR SHAFT SHIM 0.10	1	
*35	6689178	GEAR SHAFT SHIM 0.15	1	
*35	6684604	GEAR SHAFT SHIM 0.20	1	
*35	6684605	GEAR SHAFT SHIM 0.30	1	
36	6691822	ANTI-VIBE RUBBER	1	
37	6684786	HEX. SOCKET HD. BOLT M5X30 S	3	
*38	6687389	MAGNETO ROTOR COMP.	1	TILL F029050
*38	6687396	MAGNETO ROTOR COMP.	1	SINCE F029051
39	6684611	WASHER M8	1	TILL F029050
40	6684971	S.WASHER 8	1	TILL F029050
41	6684612	HEX.NUT M8	1	
42	6686771	STUD BOLT 6X22	2	
61	6689891	INTAKE PIPE GASKET	1	
62	6689966	CARB. INSULATOR SET.SPARE	1	
63	6695515	HEX. HOLE BOLT 5X25WS	2	
64	6689839	CARBURETOR GASKET	1	
65	6695670	O-RING P-15	1	
66	6690119	CLEANER BODY COMP.	1	
67	6690804	COLLAR 7.5	2	
68	6691274	CHOKE VALVE	1	
69	6684658	WAVE WASHER 8	1	
70	6690843	BLOW OVER CHECK BOARD	1	
71	6684662	S.WASHER 5	2	
72	6684660	SCREW M5X60	2	

ITEM NO.	CODE NO.	DESCRIPTION	NO. USED	REMARKS
73	6690364	CLEANER SPONGE	1	
74	6690415	CLEANER COVER ASS'Y	1	
75	6689737	SPECIAL SCREW	1	
*76	6690481	CARBURETOR SET. SPARE	1	TILL U244200
*76	6690487	CARBURETOR SET. WYL120	1	SINCE U244201
77	6685247	SHIELD TUBE	1	
78	6684619	CLIP.6.3 DIA.	1	
79	6684620	PUMP FILTER BODY COMP.	1	
80	6691562	FUEL TANK	1	TILL T245720
81	6691580	FUEL TANK	1	TILL U244200
82	6691649	TANK WHT	1	SINCE U244201
83	6691768	TANK CAP ASS'Y. BLACK	1	SINCE T245721
84	6692244	COLLAR 5.8	2	
85	6695505	HEX. HOLE BOLT 5X18PS	2	
86	6684628	SWIVEL CAP	1	SINCE A099001
87	6685139	PRIMING PUMP COMP.	1	SINCE U244201
88	6692347	FUEL PIPE 2.5X4X80	1	SINCE U244201
89	6692346	FUEL PIPE 2.5X4X70	1	SINCE U244201
90	6684627	RETURN GROMMET	1	SINCE U244201
*91	6691388	AIR VENT ASS'Y	1	SINCE T245721
*91	6691388	AIR VENT ASS'Y	1	TILL U244200
*92	6691386	AIR VENT ASS'Y	1	TILL V093280
*92	6691389	AIR VENT ASS'Y	1	SINCE V093281
*93	6691397	AIR VENT PIPE	1	SINCE T245721
*93	6691397	AIR VENT PIPE	1	TILL U244200
94	6691395	AIR VENT PIPE	1	SINCE U244201
*95	6692172	AIR VENT VALVE ASS'Y	1	SINCE T245721
*95	6692172	AIR VENT VALVE ASS'Y	1	TILL V093280
*95	6692171	AIR VENT VALVE ASS'Y	1	SINCE V093281
*96	6692305	CLIP 5.5	1	SINCE T245721
*96	6692305	CLIP 5.5	1	TILL U244200
*97	6691369	AIR VENT RUBBER CAP	1	SINCE T245721
*97	6691369	AIR VENT RUBBER CAP	1	TILL U244200
98	6691716	TANK CAP D ASS'Y.ORANGE	1	TILL T245720
99	6684625	TANK CAP CHAIN	1	TILL T245720
111	6692795	MUFFLER PROTECTOR	1	
112	6692744	MUFFLER GASKET	1	
113	6687252	HEAT SHIELD	1	
114	6692483	MUFFLER SET.SPARE	1	
115	6684661	WASHER 5	2	
116	6685114	HEX. SOCKET HD. BOLT M5X50	2	
117	6687010	FAN CASE COMP.. VERMILION	1	
118	6684675	RECOIL SPRING	1	
119	6693066	STARTER ROPE REEL	1	
120	6693633	SET SCREW	1	

ITEM NO.	CODE NO.	DESCRIPTION	NO. USED	REMARKS
121	6693405	STARTER PULLEY ASS'Y	1	
122	6688050	GROMMET	1	
123	6693168	ROPE	1	
124	6693237	STARTER HANDLE	1	
125	6684682	HEX.HOLE BOLT 4X15/PS	3	
126	6692886	MUFFLER SPECIAL GASKET	1	
127	6692657	TAIL PIPE SET	1	
128	6685109	MACHINE SCREW (W/SP. WASHER) M4X8	2	
129	6688494	CLUTCH	1	
130	6684636	TAPPING SCREW D4.5X16	1	
131	6695441	BOLT 4X12PS	2	
132	6684684	STARTER PAWL SPRING	1	
133	6693319	STARTER PAWL	1	
151	6684698	THROTTLE SET SCREW	2	
152	6684697	SWIVEL	1	
153	6684696	STOP RING	1	
154	6684695	O-RING	1	
*155	6691873	MAIN JET #35	1	TILL U244200
*155	6691888	MAIN JET #34.5	1	SINCE U244201
156	6691457	PUMP GASKET	1	
157	6684693	PUMP DIAPHRAGM	1	
158	6684700	INLET SCREEN	1	
159		NO LONGER AVAILABLE	1	TILL U244200
*159	6691430	PUMP BODY COMP.	1	SINCE U244201
*160	6690837	DIAPHRAGM GASKET	1	TILL U244200
*160	6685220	DIAPHRAGM PACKING-METERING	1	SINCE U244201
161	6690827	METERING DIAPHRAGM COMP.	1	
162	6685222	DIAPHRAGM COVER-METERING	1	
163	6691312	SET SCREW	4	
181	6688671	GEAR CASE COMP.	1	
182	6695285	STOP RING C-15. OUTER	1	
183	6695538	BALL BEARING #6002Z. 32MM/OD	1	
184	6695538	BALL BEARING #6002Z. 32MM/OD	1	
185	6688570	CLUTCH DRUM COMP.	1	
186	6688960	GEAR SHAFT	1	
187	6686612	GUIDE PLATE	1	
188	6686811	CAM ROD	2	
189	6688974	GEAR 2	1	
190	6688909	GEAR CASE GASKET	1	
191	6692100	GEAR CASE COVER	1	
*192	6687135	CUTTER GUIDE. 625MM	1	TILL A302050
*192	6687137	CUTTER GUIDE 625.5L M6	1	SINCE A302051
*193	6687285	PROTECTION PLATE	1	SINCE S278771
*193	6687285	PROTECTION PLATE	1	TILL A302050

ITEM NO.	CODE NO.	DESCRIPTION	NO. USED	REMARKS
*194	6695073	HEX HOLE FLUSH SCREW 6X16	2	TILL A302050
*194	6695075	HEX. HOLE FLUSH BOLT 6X25	2	SINCE A302051
195	6687084	CUTTER A (591.5L)	2	
196	6686654	GREASE SEAL A	2	
197	6687187	WASHER 7 BLACK	4	
*198	6687160	CUTTER FIXING BOLT A	4	TILL A302050
*198	6687158	FIXING BOLT A M6	4	SINCE A302051
*199	6687155	CUTTER FIXING NUT	4	TILL A302050
*199	6695170	FLANGE NUT 6	3	SINCE A302051
*200	6695484	HEX. HOLE BOLT 4X10S	8	TILL A302050
*200	6684595	HEX. SOCKET HD. BOLT (W/SP.WASHER) M4X12	6	SINCE A302051
201	6688643	GREASE NIPPLE COMP.	1	
*202	6695058	HEX. HOLE BOLT 6X14	2	TILL A099000
*202	6695495	HEX. HOLE BOLT 6X18/S	2	SINCE A099001
203	6690764	SUPPORT PLATE	1	SINCE A302051
204	6684822	SPECIAL WASHER B	1	SINCE A302051
205	6695175	NUT 6 UPS-P	3	SINCE A302051
206	6684639	WASHER 6	3	SINCE A302051
207	6688844	GEAR CASE B	1	SINCE A302051
208	6688004	CORD CLAMP COMP.	1	
*209	6687299	CUTTER COVER	1	TILL S278770
*209	6687301	CUTTER COVER	1	TILL V026260
*209	6687299	CUTTER COVER	1	TILL A176400
*209	6687301	CUTTER COVER	1	SINCE A176401
210	6695219	S.WASHER 6	2	TILL A099000
211	6695475	SPRING NUT 6	2	
*212	6684639	WASHER 6	3	SINCE S278771
*212	6684639	WASHER 6	3	TILL V231028
*212	6684639	WASHER 6	3	SINCE V239636
*212	6684639	WASHER 6	3	TILL A302050
213	6695484	HEX. HOLE BOLT 4X10S	2	SINCE A302051
231	6686270	HANDLE A	1	SINCE S008501
232	6687764	STOP SWITCH COMP.	1	
233	6688366	BUTTON STOP	1	
234	6684913	SCREW 3X10	1	
235	6688226	THROTTLE LEVER	1	
236	6688235	SAFETY LEVER	1	
237	6688243	THROTTLE LEVER SPRING	1	
238		NO LONGER AVAILABLE	1	TILL R259561
*238	6686307	HANDLE B	1	SINCE S008501
239	6693002	CAP	1	
240	6695263	TAPPING SCREW 4X18	7	
241	6693912	THROTTLE WIRE COMP.. 4T	1	
242	6694585	STOP BUTTON MARK	1	

ITEM NO.	CODE NO.	DESCRIPTION	NO. USED	REMARKS
243	6695350	SCREW 5X45S	1	
244	305491	NYLON NUT M5	1	
245	6695401	SCREW 6X18PS	1	
246	6684864	SMALL WASHER 5	1	
*248	6684918	WASHER M5 (BLACK)	2	TILL V279241
*248	6689680	BRAKE SHAFT WASHER	2	SINCE V279242
249	6684834	SPRING WASHER 5	2	
250	6695054	HEX. HOLE BOLT 5X40	2	
251	6687522	PROTECTION TUBE. 140L	1	
252	6692244	COLLAR 5.8	2	SINCE S008501
253	6695871	HANDLE . SPARE	1	TILL S008500
254	6695871	HANDLE . SPARE	1	TILL S008500
255	6685997	COMBI. BOX SPANNER 10X19 .PLUS	1	
256	6684813	HEX. BAR WRENCH 4MM	1	