

***Tanaka***<sup>®</sup>



**Parts Catalog**



**Hedge Trimmer**

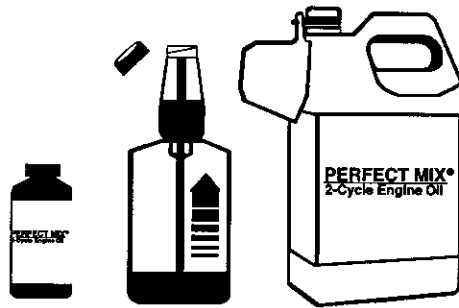
**Model: THT-210**

Part # 12256 2-28-97

# THT-210

## OPTIONS AND ACCESSORIES

### PERFECT MIX® 2-Cycle Engine Oil



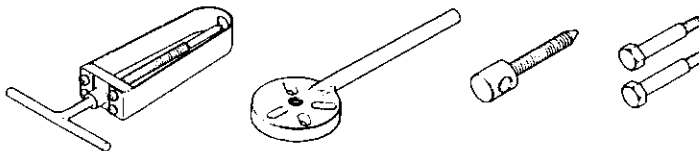
- 700109 2.8 oz. Bottle, 1 Gallon Size (24\*)  
700108 16 oz. Self-measuring Bottle (24\*)  
700110 1 Gallon Jug Commercial Size (6\*)  
\* Case Quantity

### MANUALS & CATALOGS

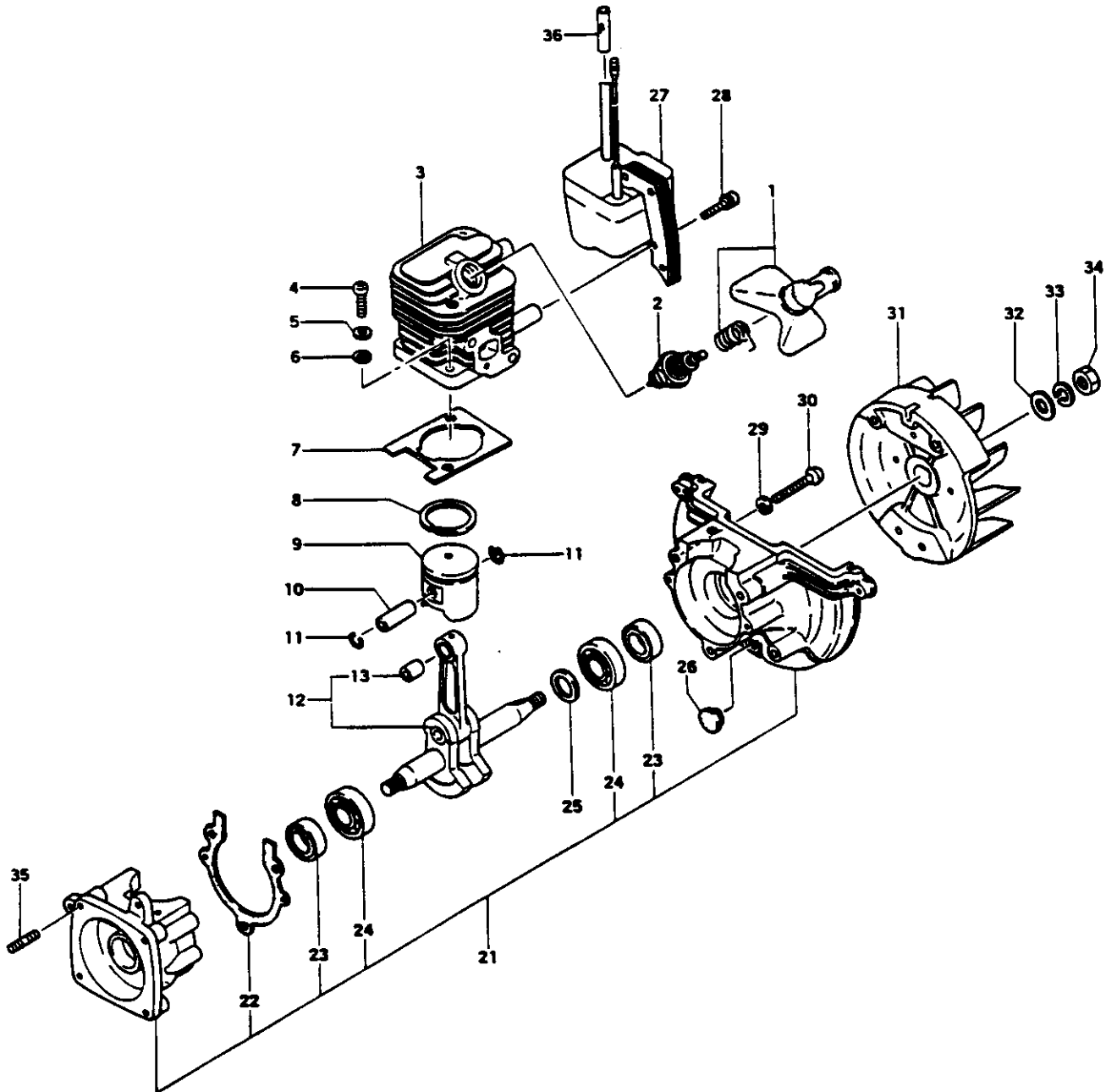
24897	Owner's Manual
12256	Parts Catalog

### SPECIAL TOOLS

006-29326-000	Flywheel Remover	001-29000-000	Tachometer
009-29323-500	Piston Pin Remover	070-2000W-500	Pressure Tester
037-29476-522	Clutch Remover	070-2000W-501	Carb. Tool Kit



**FIG.1 ENGINE**



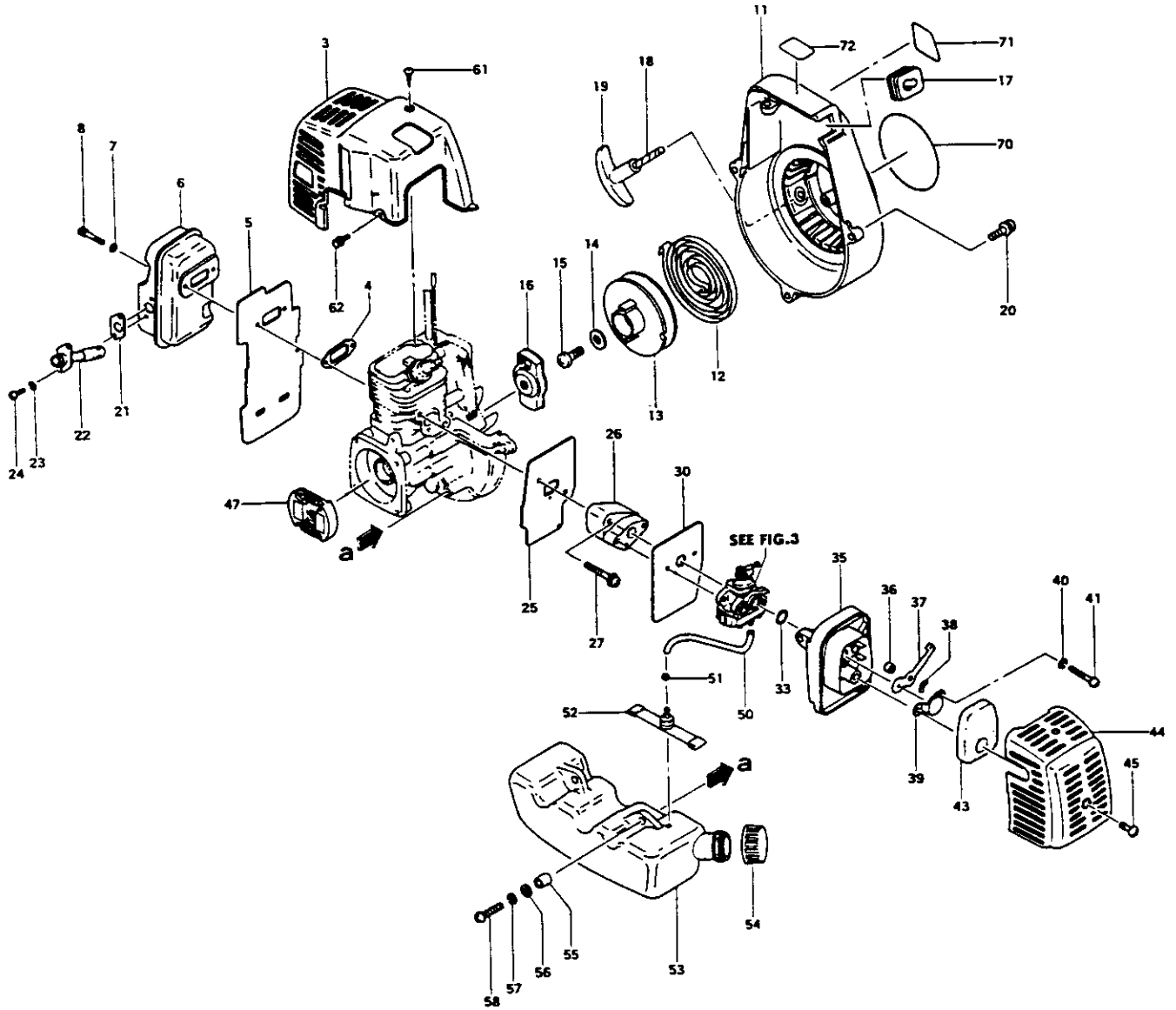
**FIGURE 1**

**THT-210 PARTS LISTING**

REF.	PART NO.	PART DESCRIPTION	Q	C	S	SERIAL NO	REMARKS
1	157-06500-900	CAP,SPARK PLUG	1		B		
2	018-11660-21	PLUG,SPARK	1		B		
3	002-06500-201	CYLINDER	1		C		
4	990-11050-201	SCREW,MX20	2		D		
5	992-10050-012	WASHER,S,5	1		A		
6	992-00050-011	WASHER,SMALL,5	2		C		
7	017-06500-200	GASKET,CYLINDER	1		B		
8	041-00601-210	RING,PISTON	1		A		
9	031-06500-200	PISTON	1		B		
10	037-06500-200	PIN,PISTON	1		C		
11	039-01620-200	CIRCLIP,PISTON PIN	2		A		
12	046-06500-800	CRANKSHAFT	1		D		
13	999-62081-225	BEARING,NEEDLE,F-810	1		C		
21	072-06500-90	CRANKCASE ASS'Y	1		D		Includes bearings, seals & gasket.
22	090-06500-200	GASKET,CRANKCASE	1		C		
23	999-66122-240	SEAL,OIL,12227	1		A		
24	999-61600-100	BEARING,BALL,#6001	2		B		
25	330-00200-210	SHIM,12.2X19X.10	V		D		
25	330-00200-220	SHIM,12.2X19X.15	V		D		Shims are "as needed" to obtain correct c/s side clearance.
25	330-00200-230	SHIM,12.2X19X.20	V		D		
25	330-00200-240	SHIM,12.2X19X.30	V		D		
26	599-00601-200	CUSHION	1		D		
27	153-21532-90	COIL,IGNITION ASSY	1		C		
28	994-16040-226	SCREW,WS,4X22	2		D		
29	992-10050-012	WASHER,S,5	3		A		
30	990-11050-301	SCREW,5X30	3		C		
31	155-21523-800	ROTOR,MAGNETO	1		D		
32	992-01080-011	WASHER,8	1		A		
33	992-10080-012	WASHER,S,8	1		B		
34	991-01080-011	NUT,8	1		B		
35	100-02100-200	BOLT,STUD,6X22	2		C		
36	250-06500-200	TUBE,INSULATOR	1		D		

\* Indicates the part is included in a kit or assembly and is not available individually. Q=Quan. used  
 C=Interchangeability S=Stocking code: A=Fast moving B=Med. fast C=Med. move D=Slow move  
 E=N.L.A. F=Superseded or replaced by a new part

# FIG.2 ENGINE COMPONENTS



**FIGURE 2**

**THT-210 PARTS LISTING**

REF.	PART NO.	PART DESCRIPTION	Q	C	S	SERIAL NO.	REMARKS
3	738-06500-20	PROTECTOR,MUFFLER	1		C		
4	737-06500-200	GASKET,MUFFLER	1		C		
5	133-06500-200	SHIELD,HEAT	1		C		
6	706-06500-800	MUFFLER	1		D		
7	992-01050-011	WASHER,5	2		A		
8	990-51050-503	BOLT,HEX,5X50	2		C		
11	112-06500-80	CASE,FAN	1		C		
12	780-06097-200	SPRING,RECOIL	1		A		
13	774-06097-200	PULLEY,STARTER	1		B		
14	801-06091-200	WASHER,ROPE REEL	1		C		
15	839-00025-200	SCREW,SET	1		D		
16	798-06500-900	PULLEY,STARTER,ASS'Y	1		C		
17	203-0604A-202	GROMMET	1		C		
18	783-06097-200	ROPE,STARTER	1		C		
19	785-06410-200	HANDLE,STARTER	1		C		
20	994-15040-162	SCREW,PS,4X16	3		C		
21	751-06500-200	GASKET,MUFFLER	1		C		
22	721-06500-800	PIPE,TAIL	1		C		
23	992-10050-012	WASHER,S,5	2		A		
24	990-11040-081	SCREW,4X8	2		C		
25	403-06500-200	GASKET,INTAKE	1		B		
26	404-06500-800	INSULATOR,CARBURETOR	1		C		
27	994-16050-252	SCREW,5X25WS	2		D		
30	402-06500-200	GASKET,CARBURETOR	1		B		
33	999-67015-000	O-RING,P15	1		C		
35	423-06500-80	BODY,CLEANER	1		C		
36	470-06500-200	COLLAR	2		D		
37	528-06500-200	VALVE,CHOKE	1		D		
38	992-04080-030	WASHER,8	1		C		
39	476-01700-200	BOARD,BLOW OVER CHECK	1		D		
40	992-10050-012	WASHER,S,5	2		A		
41	990-11050-602	SCREW,5X60	2		C		
43	446-06500-20	ELEMENT,CLEANER	1		A		
44	452-06500-200	COVER,CLEANER	1		C		
45	380-0637C-200	BOLT,CLEANER	1		B		
47	277-0635M-800	CLUTCH	1		B		
50	700-13005-115	PIPE,FUEL 3x5x115	1		C		
51	680-00731-201	CLIP 6.3	1		B		
52	675-0608A-900	FILTER,FUEL	1		A		

\* Indicates the part is included in a kit or assembly and is not available individually. Q=Quan. used  
 C=Interchangeability S=Stocking code: A-Fast moving B=Med. fast C=Med. move D=Slow move  
 E=N.L.A. F=Superseded or replaced by a new part

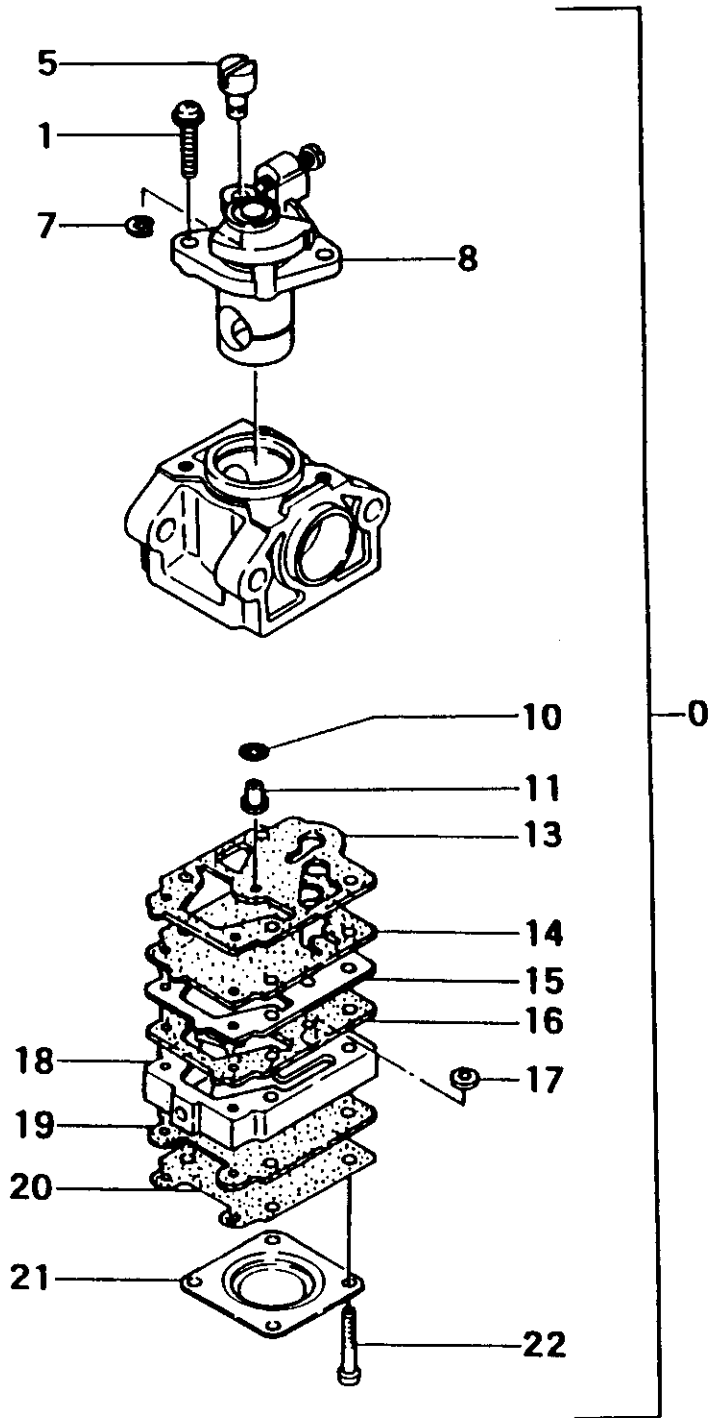
**FIGURE 2 cont.**

**THT-210 PARTS LISTING**

REF.	PART NO.	PART DESCRIPTION	Q	C	S	SERIAL NO.	REMARKS
53	591-06500-00	TANK,FUEL PIPE,ASS'Y	1		C		
54	595-0650A-90	CAP,TANK	1		A		
55	659-00801-200	COLLAR,TANK HOLDING METAL	2		C		
56	992-01050-011	WASHER,5	2		A		
57	992-10050-012	WASHER,S,5	2		A		
58	990-11050-181	SCREW,5X18	2		B		
61	990-72045-164	SCREW,TAPPING,4.5X16	1		C		
62	994-25040-128	BOLT,PS,4X12	2		C		
70	929-3210A-200	DECAL,INDUSTRIAL	1		D		
71	906-06502-200	DECAL	1		D		
72	911-06500-200	DECAL,SRS	1		D		

\* Indicates the part is included in a kit or assembly and is not available individually. Q=Quan. used  
 C=Interchangeability S=Stocking code: A-Fast moving B=Med. fast C=Med. move D=Slow move  
 E=N.L.A. F=Superseded or replaced by a new part

**FIG.3 CARBURETOR**





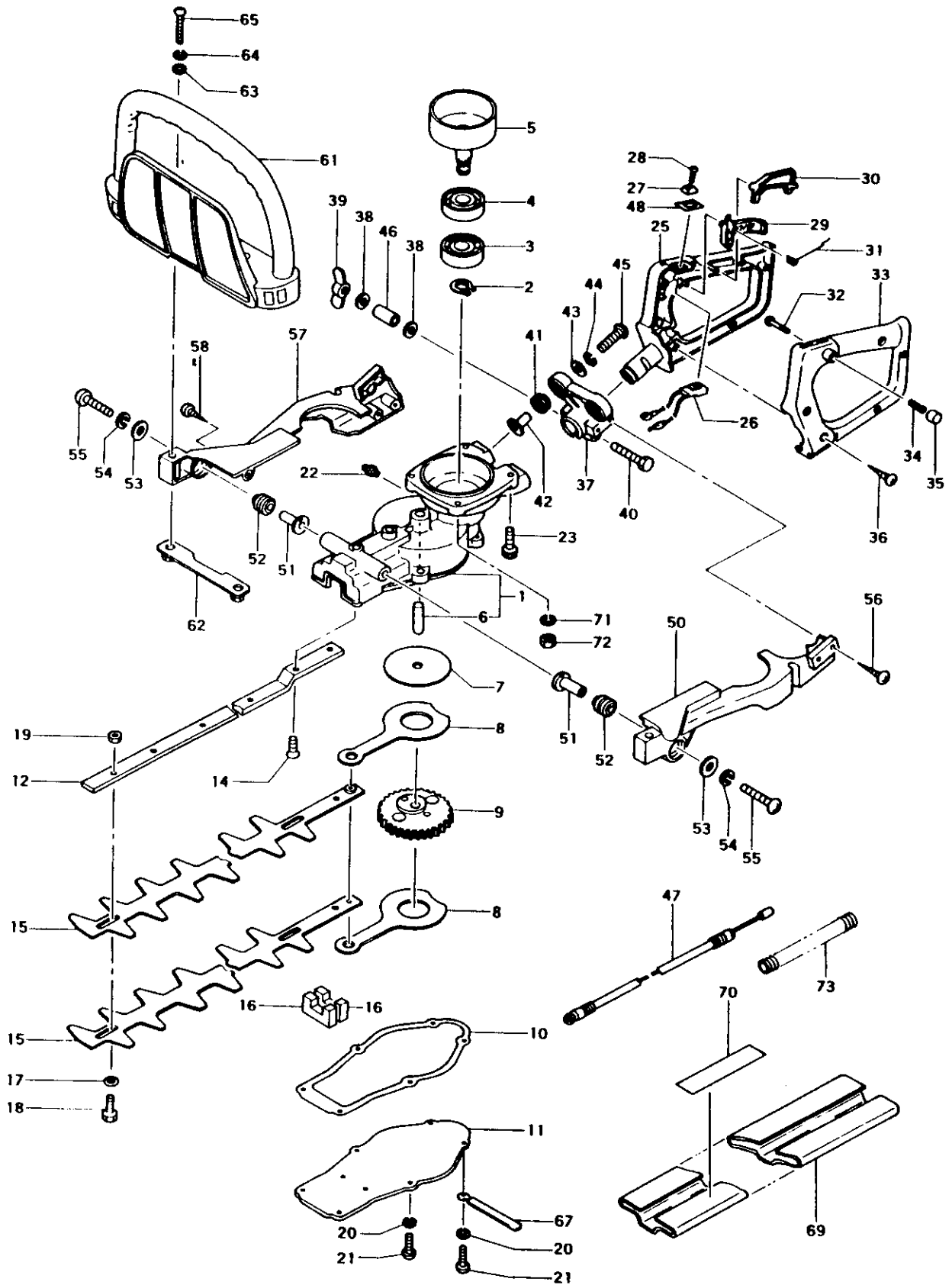
**FIGURE 3**

**THT-210 PARTS LISTING**

REF.	PART NO.	PART DESCRIPTION	Q	C	S	SERIAL NO	REMARKS
0	455-25146-900	CARBURETOR,ASS'Y	1		C		* Contained in Carb. Repair Kit 650-25140-900 (Not available individually)
1	548-25140-200	SCREW,THROTTLE SET	2		D		
5	539-25120-200	SWIVEL	1		D		
7	489-25100-200	RING,STOP	1		D		
8	488-25146-800	VALVE,THROTTLE	1		D		
10	----	*O-RING	1		C		
11	599-2000W-410	JET,MAIN,#41	1		D		
13	----	*GASKET,PUMP	1		B		
14	----	*DIAPHRAGM,PUMP	1		B		
15	523-25100-201	PLATE,PUMP	1		C		
16	522-25100-200	PLATE,CIRCUIT	1		C		
17	----	*SCREEN,INLET	1		C		
18	575-25140-800	BODY,PUMP	1		D		
19	----	*GASKET,DIAPHRAGM	1		A		
20	----	*DIAPHRAGM,METERING	1		A		
21	476-25004-200	COVER,DIAPHRAGM	1		D		
22	548-25101-200	SCREW,SET	4		D		

\* Indicates the part is included in a kit or assembly and is not available individually. Q=Quan. used  
 C=Interchangeability S=Stocking code: A-Fast moving B=Med. fast C=Med. move D=Slow move  
 E=N.L.A. F=Superceded or replaced by a new part

# FIG. 4 GEAR CASE & HANDLE



**FIGURE 4**

**THT-210 PARTS LISTING**

REF.	PART NO.	PART DESCRIPTION	Q	C	S	SERIAL NO	REMARKS
1	300-33160-800	CASE,GEAR	1		B		
2	993-50014-002	RING,STOP,C14/OUTER	1		D		
3	999-61600-200	BEARING,BALL,#6002	1		B		
4	999-61600-202	BEARING,BALL,#6002Z	1		C		
5	288-33160-800	DRUM,CLUTCH	1		C	-M164900	
5	288-33180-80	DRUM,CLUTCH	1		D	M164901~	
6	305-33160-200	SHAFT,GEAR	1		D		
7	075-33160-200	PLATE,GUIDE	1		D		
8	101-33160-22	ROD,CAM	2		C		
9	307-33160-00	SET,GEAR #2	1		D		
10	303-33160-200	GASKET,GEARCASE	1		B		
11	630-33160-20	COVER,GEAR CASE	1		C		
12	122-33160-200	GUIDE,CUTTER,21"	1		B		
14	990-52060-165	BOLT,HEX,6X16	2		B		
15	CB-21A	BLADE,CUTTER,THT-210/2100	2		A		
16	085-33160-200	SEAL,GREASE A	2		B		
17	129-33202-201	WASHER,7	4		A		
18	124-33202-206	BOLT,BLADE,A	4		A		
19	123-33202-200	NUT,CUTTER FIXING	4		A		
20	992-10040-062	WASHER,SPRING 4	8		A		
21	990-51040-103	BOLT,HEX.HOLE,4X10	8		A		
22	300-32250-801	NIPPLE,GREASE	1		D		
23	990-51060-143	BOLT,HEX,6X14	2		D		
25	050-33160-200	HANDLE,A	1		C		
26	170-33160-800	SWITCH,STOP	1		C		
27	258-11650-20	BUTTON,STOP	1		C		
28	990-11030-101	SCREW,3X10	1		A		
29	230-33160-200	LEVER,THROTTLE	1		C		
30	231-33160-200	LEVER,SAFETY	1		D		
31	232-33160-200	SPRING,THROTTLE LEVER	1		D		
32	064-32530-200	PIN,PUSH	1		C		
33	051-33160-200	HANDLE,B	1		C		
34	066-32300-201	SPRING,STOPPER	1		D		
35	725-32600-202	CAP,PUSH PIN	1		C		
36	990-72045-164	SCREW,TAPPING,4.5X16	6		C		
37	058-33160-200	BRACKET,HANDLE	1		C		
38	992-00060-011	WASHER,SMALL,6	2		C		
39	991-61060-012	NUT,WING,6	1		C		
40	990-21060-551	BOLT,6X55 HEX	1		D		
41	266-32750-200	DAMPER,B	2		C		

\* Indicates the part is included in a kit or assembly and is not available individually. Q=Quan. used  
 C=Interchangeability S=Stocking code: A=Fast moving B=Med. fast C=Med. move D=Slow move  
 E=N.L.A. F=Superseded or replaced by a new part

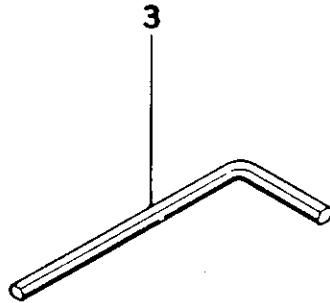
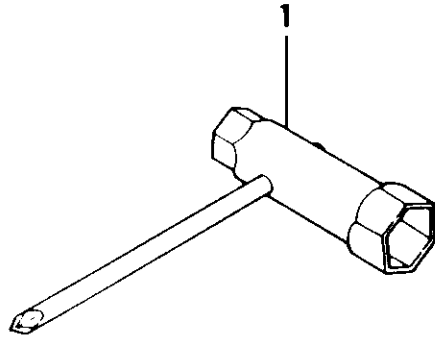
FIGURE 4 cont.

THT-210 PARTS LISTING

REF.	PART NO.	PART DESCRIPTION	Q	C	S	SERIAL NO	REMARKS
42	276-32710-201	COLLAR,DAMPER B	2		B		
43	368-32057-200	WASHER,BRAKE SHAFT	2		C		
44	992-10050-012	WASHER,S,5	2		A		
45	990-11050-301	SCREW,5X30	2		C		
46	294-33160-200	COLLAR	1		C		
47	885-06500-800	WIRE,THROTTLE	1		C		
48	925-33160-200	DECAL,STOP BUTTON	1		D		
50	249-33160-20	BODY,CLAMP A	1		B		
51	276-32710-201	COLLAR,DAMPER B	2		B		
52	266-32750-200	DAMPER,B	2		C		
53	368-32057-200	WASHER,BRAKE SHAFT	2		C		
54	992-10050-012	WASHER,S,5	2		A		
55	990-11050-301	SCREW,5X30	2		C		
56	990-73045-124	SCREW,TAPPING,4.5X12	4		D		
57	250-33160-20	BODY,CLAMP,B	1		B		
58	990-73045-124	SCREW,TAPPING,4.5X12	1		D		
61	210-33160-200	HANDLE	1		C		
62	040-33160-800	SUPPORT,HANDLE	1		C		
63	992-01050-011	WASHER,5	2		A		
64	992-10050-012	WASHER,S,5	2		A		
65	990-11050-401	SCREW,5X40	2		C		
67	198-05015-800	CLAMP,CORD	1		C		
69	138-33160-200	COVER,CUTTER	1		C		
70	951-37900-200	DECAL,PRO-FORCE	1		D		
71	992-10050-012	WASHER,S,5	2		A		
72	991-01060-011	NUT,6	2		A		
73	164-07007-000	TUBE,PROTECTION	1		D		

\* Indicates the part is included in a kit or assembly and is not available individually. Q=Quan. used  
 C=Interchangeability S=Stocking code: A-Fast moving B=Med. fast C=Med. move D=Slow move  
 E=N.L.A. F=Superseded or replaced by a new part

# FIG.5 TOOL



**FIGURE 5**

## THT-210 PARTS LISTING

REF.	PART NO.	PART DESCRIPTION	Q	C	S	SERIAL NO	REMARKS
1	036-29331-501	SPANNER,COMBI	1		D		
3	813-20000-200	WRENCH,HEX,4	1		D		