



BOSCH

Straight Grinders

TGS 5000 | 3 601 B23 080

Table of Content

Spare parts list.....	2
Illustration - Type.....	3

Straight Grinders | TGS 5000 | 3 601 B23 080

Spare parts list

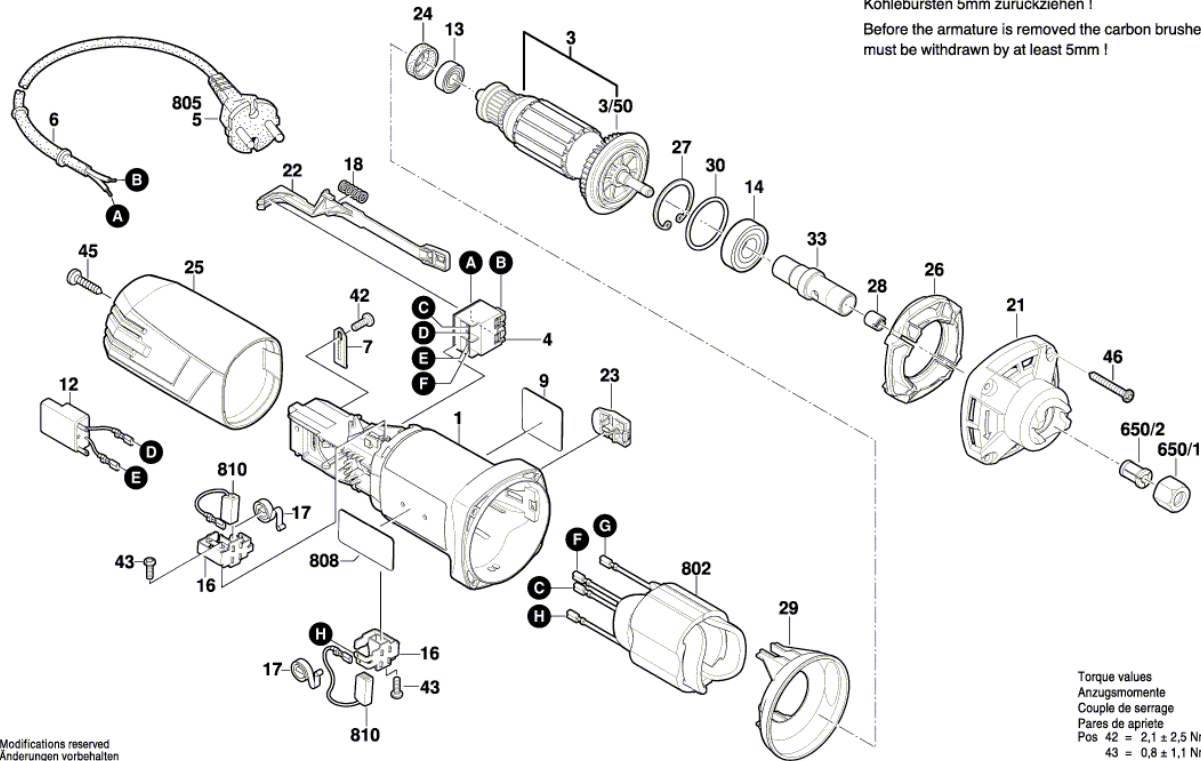
Item	Part Number	Description
1	1 619 P11 358	Motor Housing
3	1 619 P08 237	Armature 240V
3/50	1 606 610 141	Fan
4	1 607 200 179	On-Off Switch
5	1 604 460 263	Power supply cord H05 W-F CN 2,65m 2 x 0,75mm
6	2 600 703 012	Grommet Ø6,5-Ø6,9x95 MM
7	1 601 302 017	Fastening Clamp
9	1 619 P09 526	Manufacturer's nameplate TGS 5000
13	1 619 P08 829	groove ball bearing
14	1 619 P10 533	groove ball bearing
16	1 619 P01 811	Brush Holder
17	1 604 652 013	Spiral Spring
18	1 604 611 031	Compression Spring
21	1 619 P09 207	Spindle Housing
22	1 602 319 009	Adjusting Slide
23	1 619 P02 762	Switch Button BLACK
24	1 600 502 023	Intermediate Ring
25	1 619 P09 255	Housing Cover BLUE
26	1 619 P09 886	Air-Deflector Ring
27	2 916 660 013	Retaining clip DIN 472-32x1,2 MM
28	1 619 P09 265	Nut
29	1 619 P09 921	Air-Deflector Ring
30	1 610 210 130	O-Ring 32,0x2,5 MM
33	1 619 P09 208	Grinding Spindle
42	2 609 110 052	Special Screw
43	1 619 P00 220	Torx Oval-Head Screw 3x10
45	2 910 611 020	Tapping Screw DIN 7981-ST3,9x19-C-H
46	1 619 P01 066	Torx Oval-Head Screw 4x25
650/1	1 619 P09 252	Lock nut
650/2	1 619 P10 661	Collet
802	1 619 P10 709	Field 220-240V
808	1 619 P09 512	Nameplate
810	1 607 014 145	Carbon-Brush Set

Illustration - Type - E

3 601 B23 080
 Issue | 12-03-09
 Stand | Fig./Abb. 1

Gerad - Verzahnung

● Vor Demontage des Ankers
 Kohlebürsten 5mm zurückziehen !
 Before the armature is removed the carbon brushes
 must be withdrawn by at least 5mm !



Modifications reserved
 Änderungen vorbehalten
 Modifications réservées
 Salvo modificaciones

Torque values
 Anzugsmomente
 Couple de serrage
 Paires de apriete
 Pos 42 = 2,1 ± 2,5 Nm
 43 = 0,8 ± 1,1 Nm
 45 = 1,5 ± 1,8 Nm
 46 = 1,5 ± 1,9 Nm