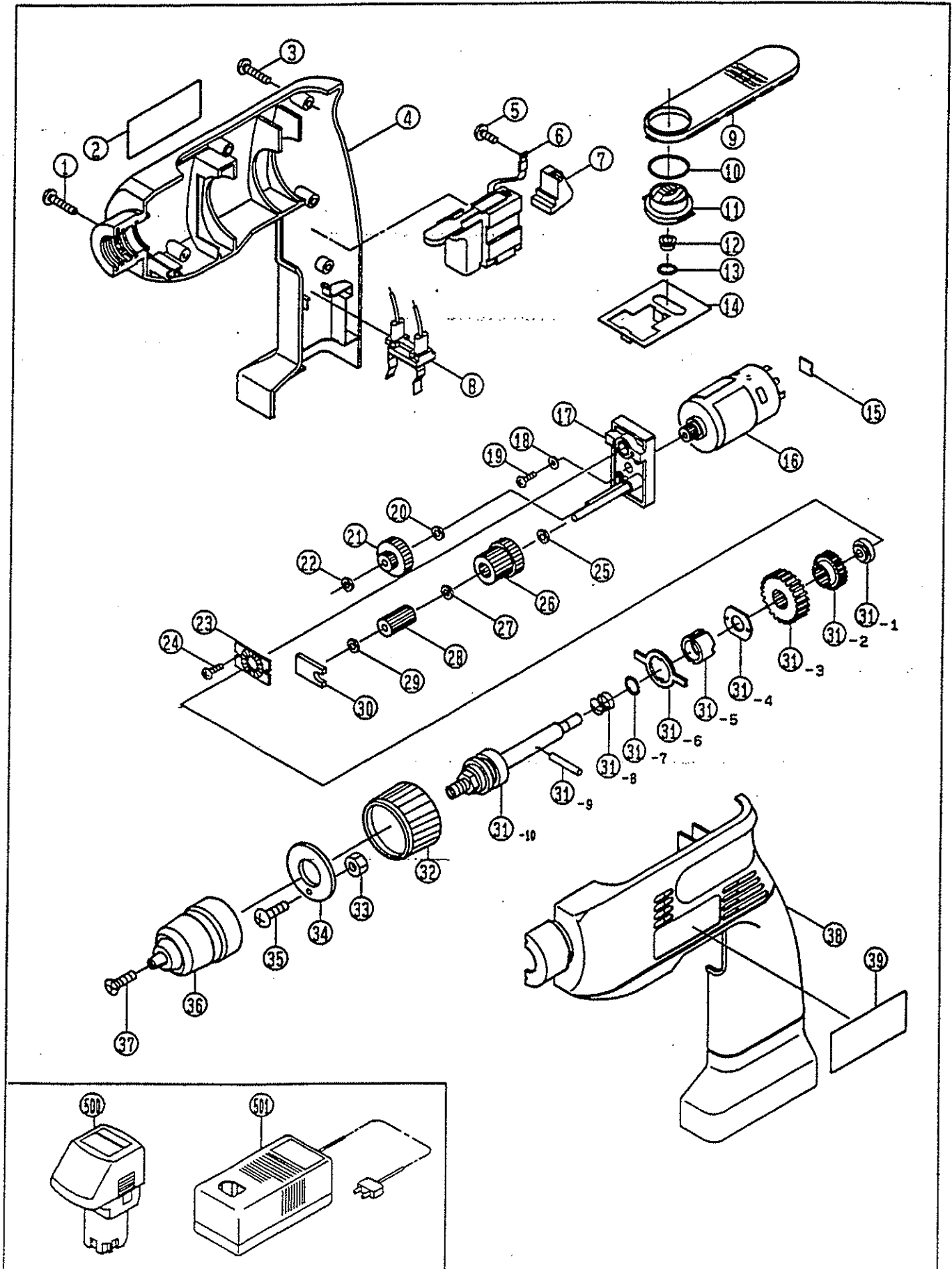


# CORDLESS IMPACT DRILL

## TFI-100VR



**PARTS LIST FOR AFTER SALES SERVICE  
MODEL TF1100VR**

REF	PART NO.	DESCRIPTION	QTY	REF	PART NO.	DESCRIPTION	QTY	
	1130073	TAPPING SCREW M4X12	2	28	1200005	IDLER GEAR (B)	1	
	1910150	NAME PLATE	1	29	1900027	WASHER	1	
3	1130045	TAPPING SCREW M4X22	7	30	1150024	SHAFT HOLDER	1	
4	1800014	HOUSING (A)	1	31	1050001	OUTPUT SHAFT ASS'Y	1	
5	1130050	TAPPING SCREW M3X8	1	31-1	1190008	RATCHET	1	
6	1550008	VAR. & REVERSIBLE SWITCH	1	31-2	1200002	SPINDLE GEAR (A)	1	
7	1320008	HEAT SINK	1	31-3	1200003	SPINDLE GEAR (B)	1	
8	1580003	TERMINAL	1	31-4	1150020	CAM PLATE	1	
9	1360027	CONTROL PLATE	1	31-5	1900026	BUSHING MODE CHARGE	1	
10	1930002	O-RING	1	31-6	1150021	SHIFT RING	1	
11	1830005	KNOB	1	31-7	1180014	SPRING WASHER	1	
12	1220001	SLEEVE	1	31-8	1180015	SPRING	1	
13	1900028	WASHER	1	31-9	1120005	CLUTCH PIN	1	
14	1150023	PLATE	1	31-10	1050002	SHAFT BEARING ASS'Y	1	
15	1100004	STOPPER MOTOR SHAFT	1	32	1360026	CUP	1	
16	1030009	MOTOR COMPLETE	1	33	1130075	HEX NUT M2.6	2	
17	1080024	BRACKET ASS'Y	1	34	1150022	MOUNTING PLATE	1	
18	1900015	SPRING WASHER M4	2	35	1130076	MACHINE SCREW (L.H.T.)	2	
19	1130047	MACHINE SCREW M4	2	36	6073483	3/8" KEYLESS IMPACT CHUCK	1	
20	1900027	WASHER	1	37	1130049	MACHINE SCREW (L.H.T.)	1	
21	1200004	DRIVE GEAR	1	38	1800015	HOUSING (B)	1	
22	1900027	WASHER	1	39	1920042	"RYOBI" MARK	1	
23	1190007	RATCHET PLATE	1					
	1130074	MACHINE SCREW M3X8	2	STANDARD ACCESSORIES				
25	1900027	WASHER	1	500	1400143	BATTERY 12V	1	
26	1200006	IDLER GEAR (A)	1	501	6403073	CHARGER	1	
27	1930001	O-RING	1			SWITCH WIRING SAME AS TDS-4000.		

**SERVICE NOTES:**