

ORDER BY FAX OR EMAIL

f: 800-529-8680 e: spcustomer.service@itwserviceparts.com

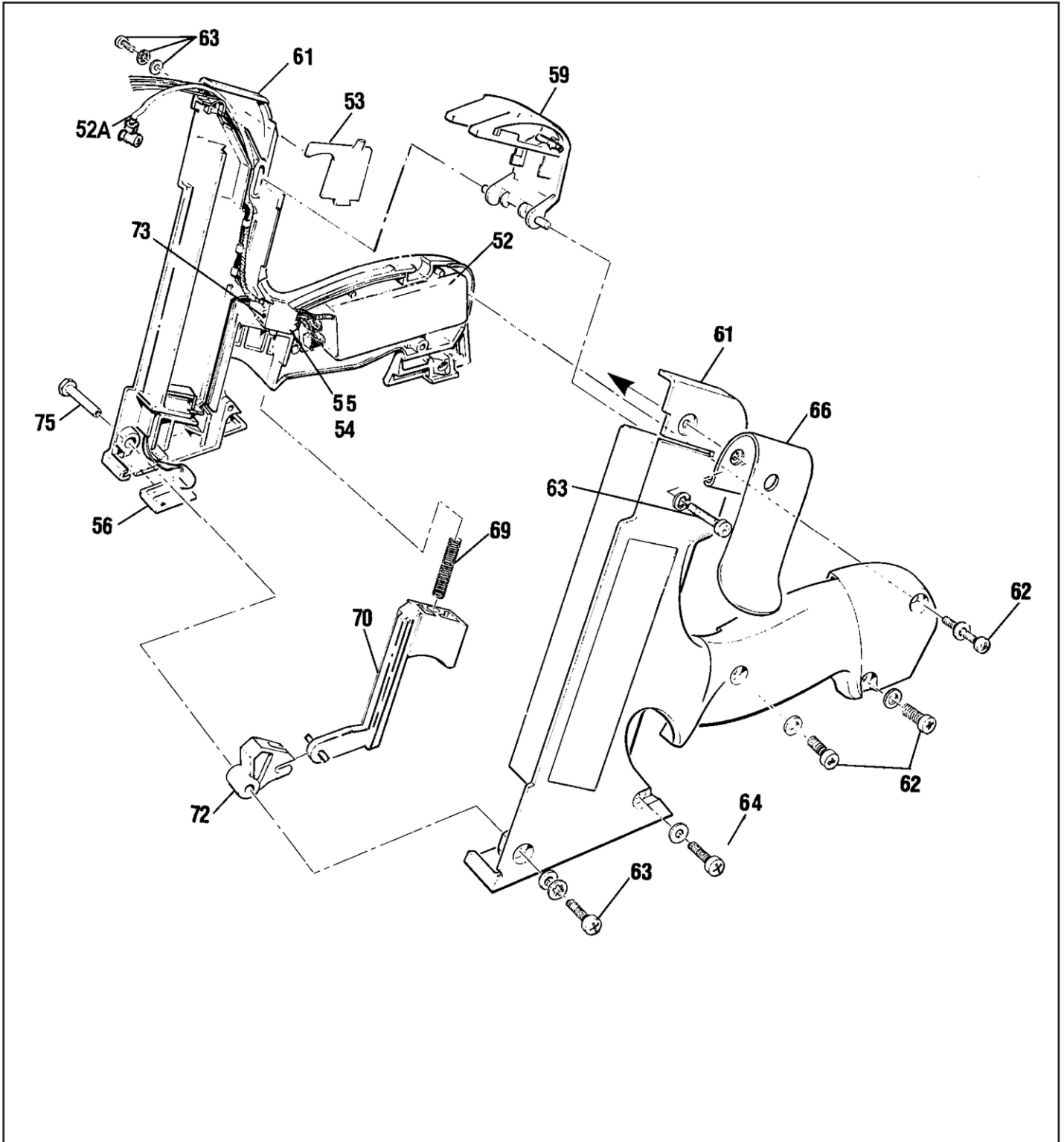
KEY	PART NO.	DESCRIPTION
1	401365	CAP, GRILL & FILTER ASSEMBLY
3	7505018	FOAM FILTER ONLY
4	901065A	SCREW KIT PKG. OF 4
8	900271	P.C. BOARD ASSY.
8A	7405090	P.C. BOARD SCREW (PKG. OF 3)
11	900525A	FAN MOTOR KIT**
12	7505166	SPARK WIRE & BOOT ONLY
13	7505164	BLACK SPARK PLUG (WITH O RING) FOR TOOLS AFTER SN# 398090144
15	401356	MOTOR SLEEVE
16	900470	MOTOR MOUNT
17	401355	MOTOR RETAINING RING
18	404601	HEAD SWITCH ASSEMBLY
20	401340	RED STEM ADAPTER
21	401336	CYLINDER HEAD
22	403992	O-RING (CYLINDER HEAD)
23	403167	FAN BLADE WITH SET SCREW

NOTE: It is important to use all kit parts when replacing the fan motor. Failure to do so will greatly reduce the life of the motor.

** Fan Motor Kit includes: fan motor, motor mount, motor sleeve, snap ring and fan blade.

ORDER BY FAX OR EMAIL

f: 800-529-8680 e: spcustomer.service@itwserviceparts.com



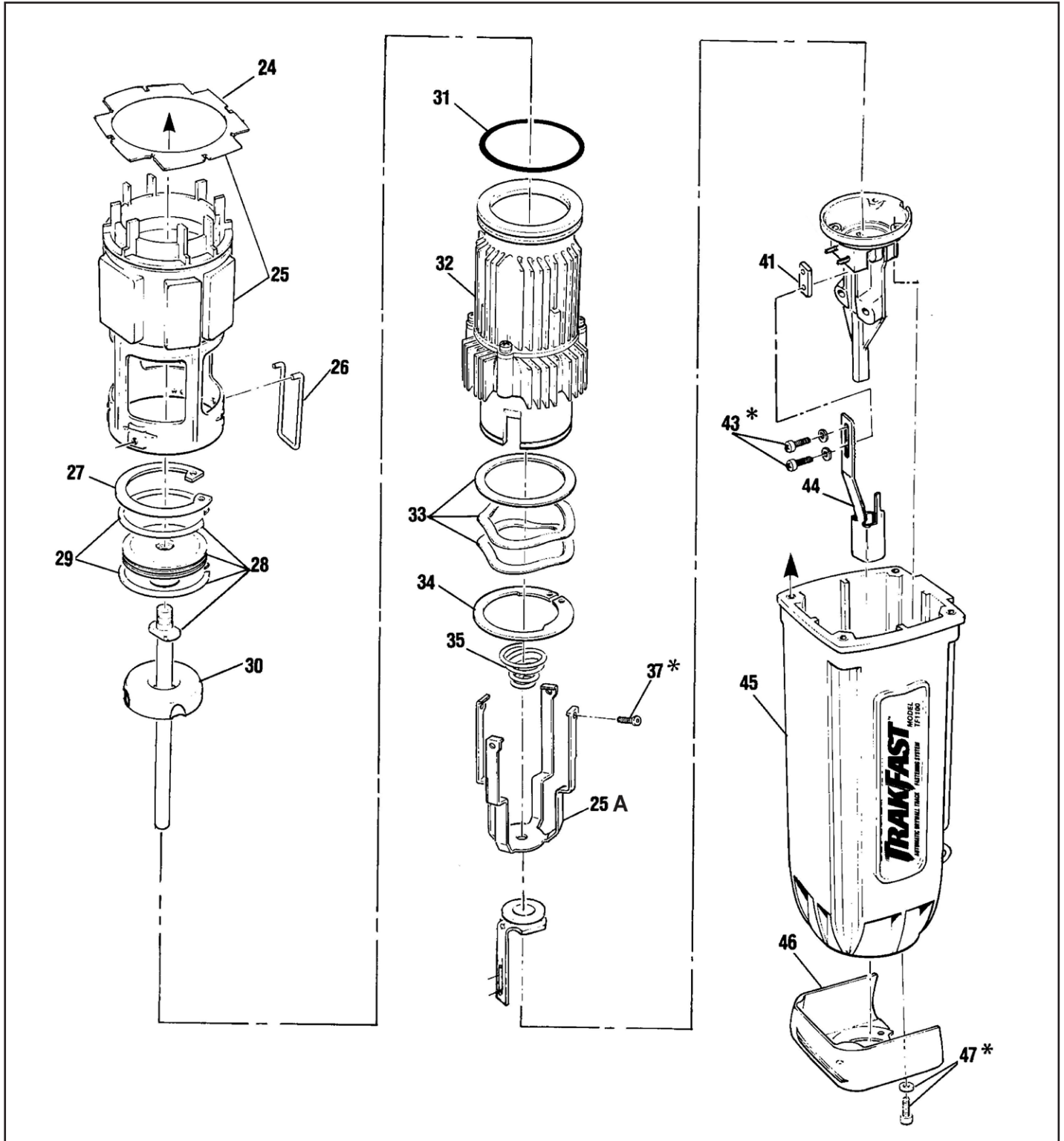
ORDER BY FAX OR EMAIL

f: 800-529-8680 e: spcustomer.service@itwserviceparts.com

KEY	PART NO.	DESCRIPTION
52	7405163	SPARK UNIT
52A	7505166	RED WIRE & BOOT ONLY TOOLS AFTER SERIAL NO.398091440
53	900012	WIRE COVER PLATE
54	404619	INSULATOR (UNDER TRIGGER SWITCH)
55	404490	TRIGGER SWITCH
56	403999	HANDLE CONTACT BOARD
59	401400A	ACTUATOR ASSEMBLY
61	7405148	LEFT & RIGHT SIDE HANDLE HALVES
62	7405067	SCREWS & WASHERS (PKG OF 3) – 6-32 x 1" W/WASHER
63	401408	CAM SCREW – 10-32 x 9/16" W/WASHER
64	401406	SCREW – 6-32 x 1-1/2" W/WASHER
66	401495	BELT HOOK
69	401395	TRIGGER SPRING
70	401394A	TRIGGER ASSEMBLY
72	401396	TRIGGER CAM
73	7405091	TRIGGER SCREWS (PKG. OF 2) – 2-32 x 5/8"
75	401397	CAM BUSHING
—	401450	FUEL CELL PAD (NOT SHOWN)
—	7505021	DANGER LABEL
—	7505025	WARNING LABEL

ORDER BY FAX OR EMAIL

f: 800-529-8680 e: spcustomer.service@itwserviceparts.com



ORDER BY FAX OR EMAIL

f: 800-529-8680 e: spcustomer.service@itwserviceparts.com

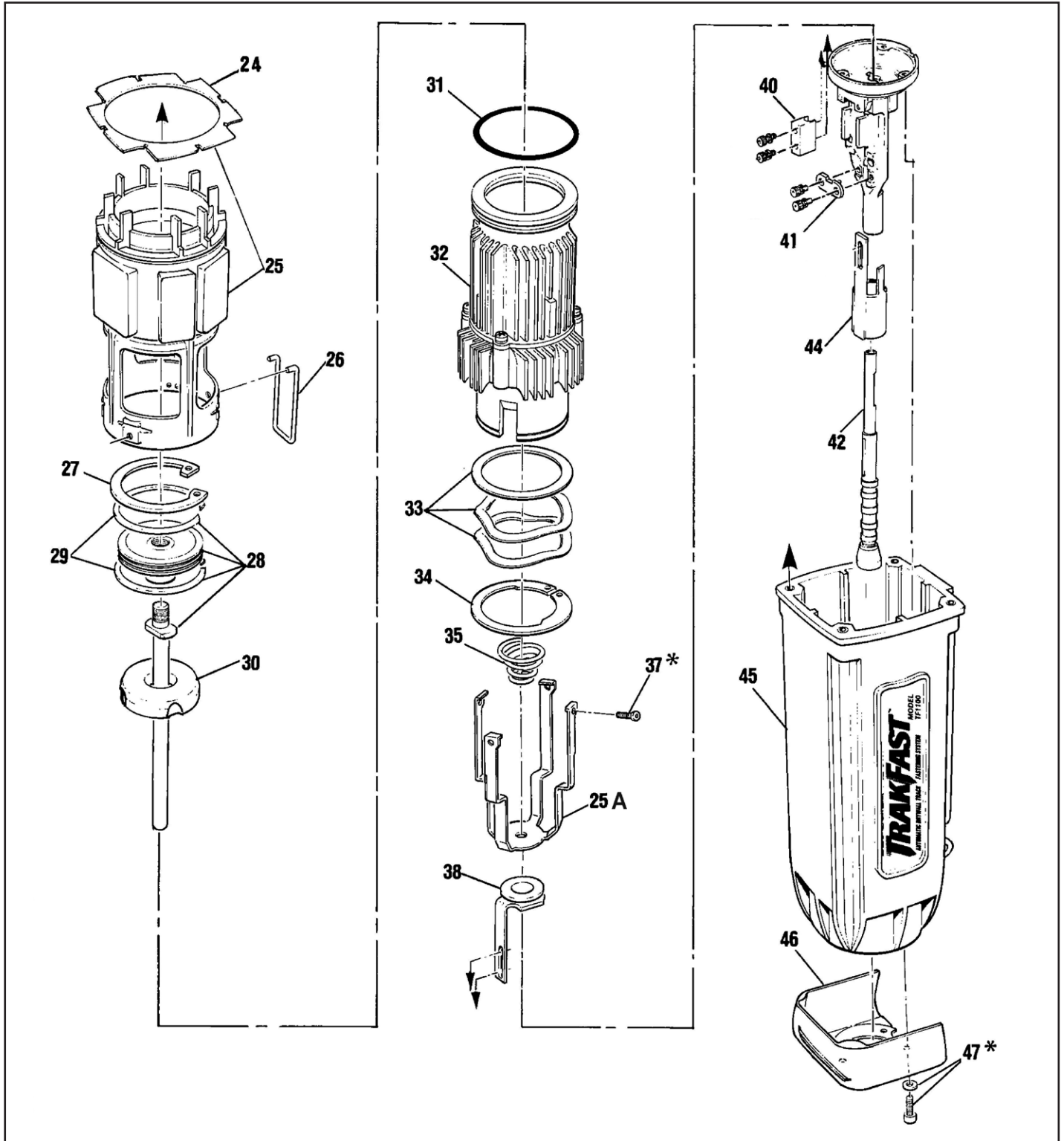
KEY	PART NO.	DESCRIPTION
24	401313	AIR DAM
25	7405171	COMBUSTION CHAMBER
25A	900234	CAGE
26	401330	CHAMBER LOCKOUT BAR
27	401328	PISTON STOP RETAINING RING
28	7502000	PISTON ASSEMBLY (WITH PISTON RING)
29	7405055	PISTON RINGS (PKG. OF 2)
30	7505109	BUMPER
31	404482	O-RING (SLEEVE & MID CHECK)
32	403083	SLEEVE & MID CHECK ASSEMBLY
33	7405056	SEAL (1) WAVE WASHERS (2)
34	401322	MID-CHECK RETAINING RING
35	401488	CAGE SPRING
37	092769	SCREW – 10-32 x 1/4"
41	401380	TIE BAR
44	801116	LOWER PROBE
45	7505148	HOUSING WITH LABELS
46	7505013	DUST SHIELD
47	7405060	CAP SCREW & WASHER

* SCREW- USE LOCTITE 242 (BLUE)

NOTE: TO SERVICE NOSE PIECE USE PART NUMBER 100036 ONE PIECE NOSE UPGRADE KIT.

ORDER BY FAX OR EMAIL

f: 800-529-8680 e: spcustomer.service@itwserviceparts.com



ORDER BY FAX OR EMAIL

f: 800-529-8680 e: spcustomer.service@itwserviceparts.com

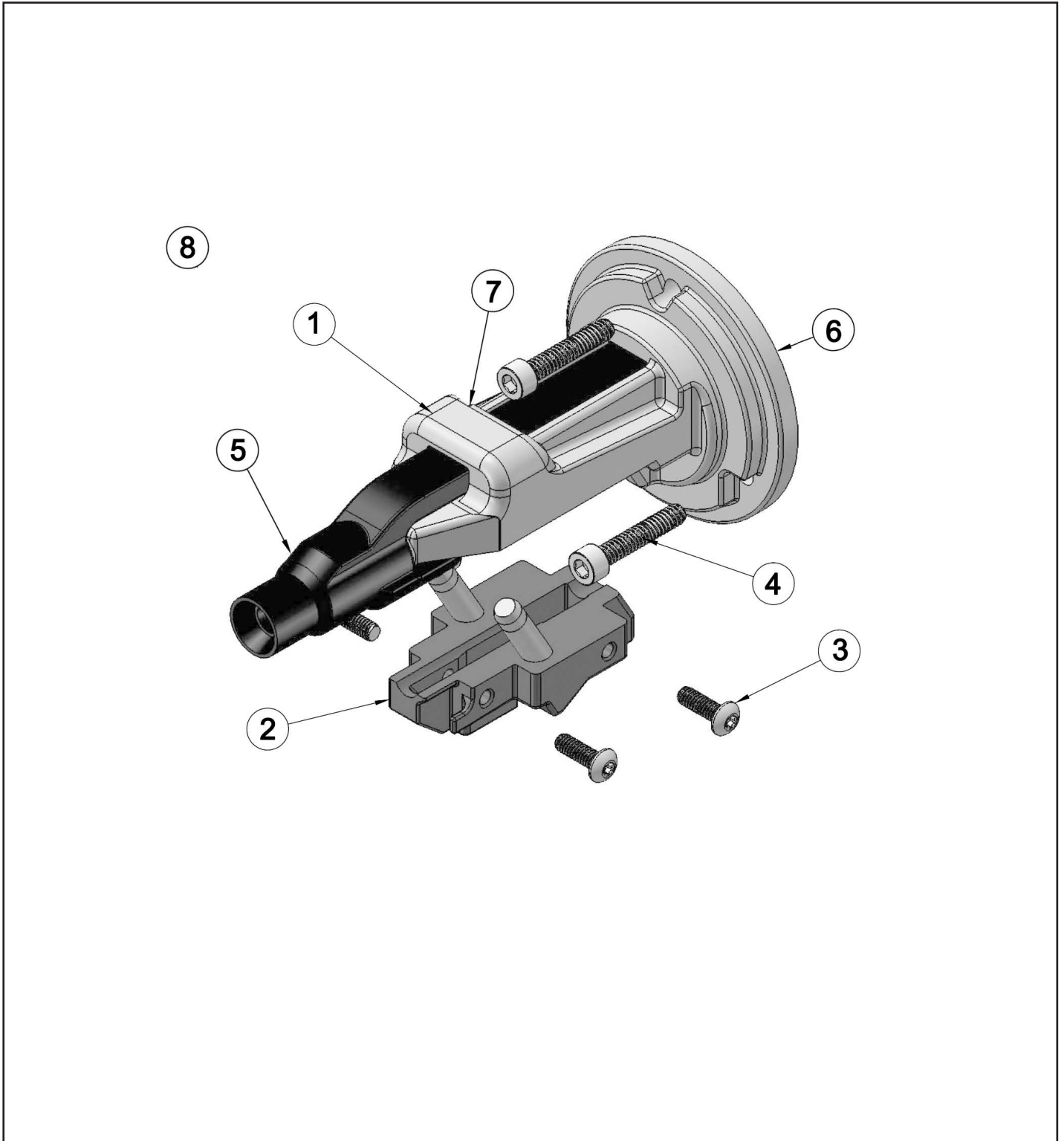
KEY	PART NO.	DESCRIPTION
24	401313	AIR DAM
25	7405171	COMBUSTION CHAMBER (WITH AIR DAM)
25A	900234	CAGE
26	401330	CHAMBER LOCKOUT BAR
27	401328	PISTON STOP RETAINING RING
28	7502000	PISTON ASSEMBLY (WITH PISTON RING)
29	7405055	PISTON RINGS (PKG. OF 2)
30	7505109	BUMPER
31	404482	O-RING (SLEEVE & MID CHECK)
32	403083	SLEEVE & MID CHECK ASSEMBLY
33	7405056	SEAL (1) WAVE WASHERS (2)
34	401322	MID-CHECK RETAINING RING
35	401488	CAGE SPRING
37	092769	SCREW – 10-32 x 1/4"
38	801132	UPPER PROBE WITH GROMMET
40	801131	GUIDE BLOCK
41	801127	STOP PLATE
42	801129	WORK CONTACT ELEMENT
44	801128	LOCKOUT PROBE
45	7505148	HOUSING WITH LABELS
46	7505013	DUST SHIELD
47	7405060	CAP SCREWS & WASHERS – 10-24 x 1"

SCREWS-USE LOCTITE 242 (BLUE)

NOTE: TO SERVICE NOSE PIECE USE PART NUMBER 100036 ONE PIECE NOSE UPGRADE KIT.

ORDER BY FAX OR EMAIL

f: 800-529-8680 e: spcustomer.service@itwserviceparts.com



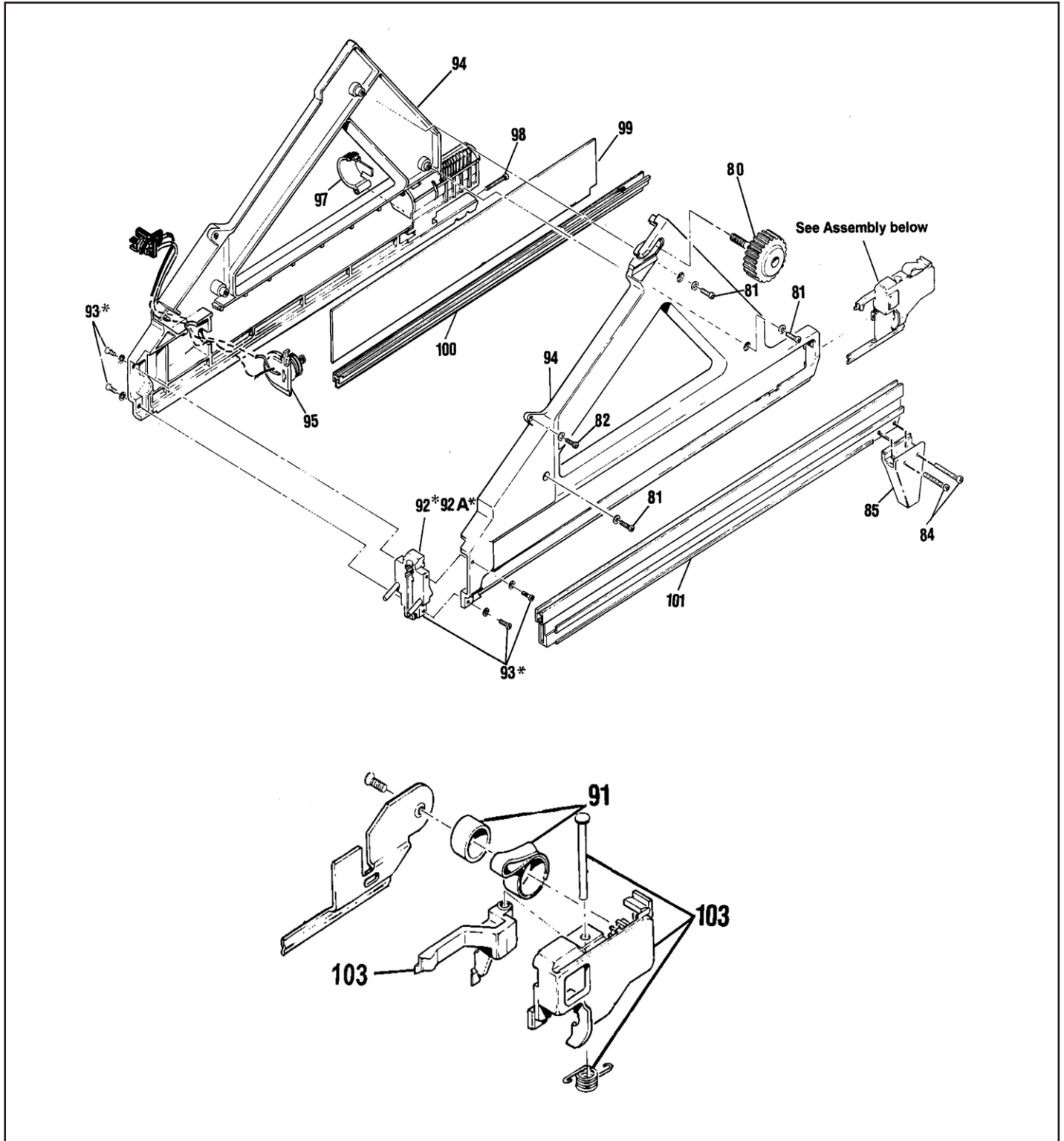
ORDER BY FAX OR EMAIL

f: 800-529-8680 e: spcustomer.service@itwserviceparts.com

KEY	PART NO.	DESCRIPTION
1	100019	ACTUATOR/NOSE ASSEMBLY
2	801118	SHEAR BLOCK
3	7405147	SHEAR BLOCK SCREWS – 8-32 x 1/2"
4	7405060	CAP SCREWS & WASHERS – 10-24 x 1"
5	100013	ACTUATOR/PIN GUIDE
5A	100018	ACTUATOR, MAGNETIC (NOT SHOWN)
6	100016	ONE PIECE NOSE
7	100014	SCREW 6-32 (NOT SHOWN)
8	100036	ONE PIECE NOSE UPGRADE KIT

ORDER BY FAX OR EMAIL

f: 800-529-8680 e: spcustomer.service@itwserviceparts.com



ORDER BY FAX OR EMAIL

f: 800-529-8680 e: spcustomer.service@itwserviceparts.com

KEY	PART NO.	DESCRIPTION
80	801124	KNOB ASSEMBLY
81	7405070	SCREWS AND WASHERS
82	7405071	SCREWS AND WASHERS
84	7405146	FOOT SCREWS
85	801113	MAGAZINE FOOT
91	7405169	CONSTANT FORCE SPRING W/HUB
92	801118	SHEAR BLOCK (FOR ORIGINAL NOSEPIECE)
93	7405147	SHEAR BLOCK SCREWS & WASHER ONLY – 8-32 x 1/2" (FITS BOTH TYPES OF SHEAR BLOCKS)
94	7405149	LEFT & RIGHT MAGAZINE HALVES (WITH BATTERY CLIP)
95	7505017	BATTERY CONTACT ASSEMBLY
97	401422	BATTERY CLIP
98	401423	BATTERY CLIP SCREW
99	7506006	COVER PLATE
100	801112	UPPER RAIL
101	801110	LOWER RAIL
103	7405168	CARRIER/FOLLOWER ASSEMBLY
—	7405177	FOLLOWER/LOCKOUT ASSEMBLY COMPLETE
—	7505022	SEQUENCE LABEL

SCREWS-USE LOCTITE 242 (BLUE)

ORDER BY FAX OR EMAIL

f: 800-529-8680 e: spcustomer.service@itwserviceparts.com