

REF. NUMBER		DESCRIPTION	Q'TY	REMARKS
S49-01		CYLINDER/PISTON/CRANK SHAFT		
001	668-4894	PLUG CAP ASS'Y	1	
002	668-5771	SPARK PLUG CJ8	1	
006	668-5495	CYLINDER SET	1	
007	668-4586	HEX.HOLE BOLT M5X18/S	4	
009	668-4896	CYLINDER GASKET	1	
011	668-6121	PISTON RING	2	
012	668-5902	PISTON SET	1	
013	668-4590	PISTON PIN CIRCLIP	2	
014	668-4591	PISTON PIN	1	
016	668-6219	CRANK SHAFT COMP.	1	
040	668-7836	STOP CORD B 190M	1	
043	668-7687	IGNITION COIL COMP.	1	
046	668-4599	HEX.HOLE BOLT M4X18/WS	2	
050	668-7689	IGNITION COIL ASS'Y	1	
060	668-4600	WASHER	2	
S49-02		CRANK CASE		
019	668-4604	GEAR SHAFT SHIM 0.20	V	
019	668-4605	GEAR SHAFT SHIM 0.30	V	
024	668-7385	MAGUET RITIR COMB. FW-	1	
025	668-4612	HEX.NUT M8	1	
027	668-4611	WASHER M8	1	
031	668-4905	CRANK CASE ASS'Y	1	
032	668-4607	OIL SEAL TB 12227	2	
033	668-4608	BALL BEARING 6001 C3	2	
034	668-4904	CRANK CASE GASKET	1	
036	668-4903	HEX.HOLE BOLT M5X16/S	4	
S49-03		ENGINE-1		
080	668-9895	INLET MANIFOLD GASKET	1	
081	668-9972	INSULATOR SET	1	
082	668-4617	HEX. HOLE BOLT 5X25/WS	2	
085	668-4616	CARBURETOR GASKET	1	
086	669-1276	CHOKE PLATE 2.0	1	
088	669-0120	CLEANER BODY COMP.	1	
089	669-0365	CLEANER SPONGE	1	
090	669-0402	CLEANER COVER ASS'Y	1	
091	669-0384	COVER FIXING BOLT	1	
094	669-4914	SCREW 5X55	2	
095	668-4662	S.WASHER 5	2	
096	668-4864	SMALL WASHER 5	2	
098	669-0522	CABURETOR SET WYJ-463	1	
099	669-1239	CHOKE CONTROL LEVER	1	
100	669-1602	TANK WHT	1	
108	668-9681	BRAKE SHAFT WASHER	1	
109	669-2244	COLLAR 5.8	3	
110	668-4627	RETURN GROMMET	1	
111	668-4626	FUEL PIPE 3X5X65	1	
112	668-4620	PUMP FILTER BODY COMP.	1	
113	668-4619	CLIP,6.3 DIA.	1	
114	668-4618	FUEL PIPE ASS'Y	1	
115	669-5506	HEX HOLE BOLT 5X20PS	1	
116	669-5504	HEX.HOLE BOLT 5X16/PS	3	
117	669-1748	TANK CAP D ASS'Y	1	
118	669-5280	TAP SCREW 4X14 P	1	
119	668-5070	BOLT WASHER M4	1	
S49-04		ENGINE-1		

001	668-5693	CYLINDER COVER (BLK)	1
004	669-5504	HEX.HOLE BOLT 5X16/PS	2
005	669-5067	HEX.HOLE BOLT 6X65	2
006	668-4639	WASHER 6	2
007	669-2575	MUFFLER COMP.	1
008	669-2886	MUFFLER SPECIAL GASKET	2
010	669-2716	TAIL PIPE SET	1
011	668-4651	SCREW M4X8/WS	2
013	669-2702	SPARK ARRESTER	1
021	669-2817	MUFFLER PROTECTOR	1
024	669-5508	HEX. HOLE BOLT 4X18WS	2
031	668-4642	CLUTCH WASHER B	2
032	668-4643	CLUTCH SHOE COMP.	2
033	668-4644	CLUTCH SPRING	1
034	668-4645	CLUTCH PLATE A 0.5	2
035	668-4646	STEP BOLT	2
036	668-4647	HEX.HOLE BOLT M5X18/WS	3
038	668-4648	BENT WASHER 8	2
045	668-4682	HEX.HOLE BOLT 4X15/PS	1
046	668-7217	DEFLECTOR BLACK	1
047	668-4751	TAPPING SCREW 4X14	1
048	668-7039	FAN CASE COMP. OR	1
049	668-8057	PRIMARY CORD GROMMET	1
073	668-7265	HEAT SHIELD	1
S49-05 RECOIL STARTER			
000	668-4938	RECOIL STARTER BODY ASS'Y	1
001	669-3024	RECOIL STARTER BODY	1
002	668-4941	STARTER ROPE REEL	1
003	668-4942	RECOIL SPRING	1
004	668-4940	SWING ARM	1
005	668-4679	SET SCREW	1
006	668-4939	PULLEY STAY	1
007	668-4943	ROPE 3.0X800	1
008	668-4680	STARTER HANDLE	1
009	668-5000	SPECIAL NUT M5	1
022	668-4937	STARTER PULLEY	1
024	669-5508	HEX. HOLE BOLT 4X18WS	2
S49-06 CARBURETOR			
002	668-4879	PUMP BODY COMP.	1
003	668-4687	PRIMING PUMP COMP.	1
004	668-4688	DIAPHRAGM COVER	1
005	668-4689	PRIMING BODY	1
006	668-4690	METERING DIAPHRAGM COMP.	1
007	668-4691	DIAPHRAGM GASKET	1
008	668-4693	PUMP DIAPHRAGM	1
009	668-4692	PUMP GASKET	1
010	669-1874	LONG MAIN JET #38	1
011	668-4695	O-RING	1
012	668-4696	STOP RING	1
013	668-4697	SWIVEL	1
015	668-4870	THROTTLE SET SCREW	2
016	668-4873	CABLE ADJUSTER STAY	1
019	668-4875	CLEANER PACKING	1
020	668-4699	SET SCREW	4
021	668-4874	THRUST WASHER	1
201	668-4700	INLET SCREEN	1
S46-09 GEAR CASE			
001	668-5578	GEAR CASE A COMP.	1

002	668-5593	GEAR CASE B COMP.	1
003	668-8210	CLUTCH HOUSING COMP.	1
004	668-5656	GEAR 2	1
005	668-5702	GEAR 3	1
006	668-6454	WOOD-RUFF KEY 3X10X3.7	1
011	669-5532	BALL BEARING #6001Z, 28MM/OD	1
012	669-5534	BALL BEARING #16001	1
013	669-5282	STOP RING C 11, OUTER	1
014	668-5788	GEAR 4	1
015	669-5587	BALL BEARING #7202B, 35MM/OD	1
016	668-6065	WASHAER C 5.0	1
017	669-5559	BALL BEARING #6202Z, 35MM/OD	1
018	669-5296	STOP RING C-35, INNER	1
019	668-6455	WOOD-RUFF KEY 3X13X5	1
020	668-5824	DRIVE SHAFT	1
022	668-4792	NUT M6	4
023	669-5219	S.WASHER 6	4
026	669-5339	SCREW 5X18/S	4
041	669-5206	WAVE WASHER B.B 35	1
044	668-8643	GREASE NIPPLE COMP.	1
104	669-5283	STOP RING C-13, OUTER	1
105	668-9992	LOCK LEVER COMP.	1
106	668-9998	LOCK LEVER SPRING	1
107	668-7942	SPECIAL WASHER	2
108	668-5103	BOLT WASHER M7	2
109	669-3366	STEP BOLT	2
S49-08 HANDLE/LEVER			
028	669-3795	THROTTLE BODY A	1
029	669-3818	THROTTLE BODY B	1
030	668-6402	THROTTLE LEVER DH	1
031	668-6421	THROTTLE LEVER SPRING	1
034	669-5280	TAP SCREW 4X14 P	2
035	669-4860	SCREW 4X6	1
054	668-7537	PROTECTION TUBE 7X530L	1
055	668-6256	HANDLE COMP	1
056	669-5219	S.WASHER 6	2
057	668-4639	WASHER 6	2
058	669-5015	PLUS BOLT 6X12	2
059	669-5198	WASHER 10	2
060	669-5225	S.WASHER 10	2
061	669-5005	BOLT 10X20	2
083	669-3989	THROTTLE WIRE 585+32	1
086	668-7777	STOP SWITCH COMP.	1
090	668-8015	CORD CLAMP	1
093	668-8366	BUTTON STOP	1
094	669-4588	STOP BUTTON MARK	1
095	668-4913	SCREW 3X10	1
S49-09 TOOLS/LABELS			
001	669-4240	NAME PLATE TED-280PFDH	1
003	669-4574	CAUTION MARK	1
010	669-3647	SPECIAL WRENCH 31	1
021	668-5999	COBI BOX SPANNER 10X19	1
025	668-6251	SPANNER 17X19	1

S49

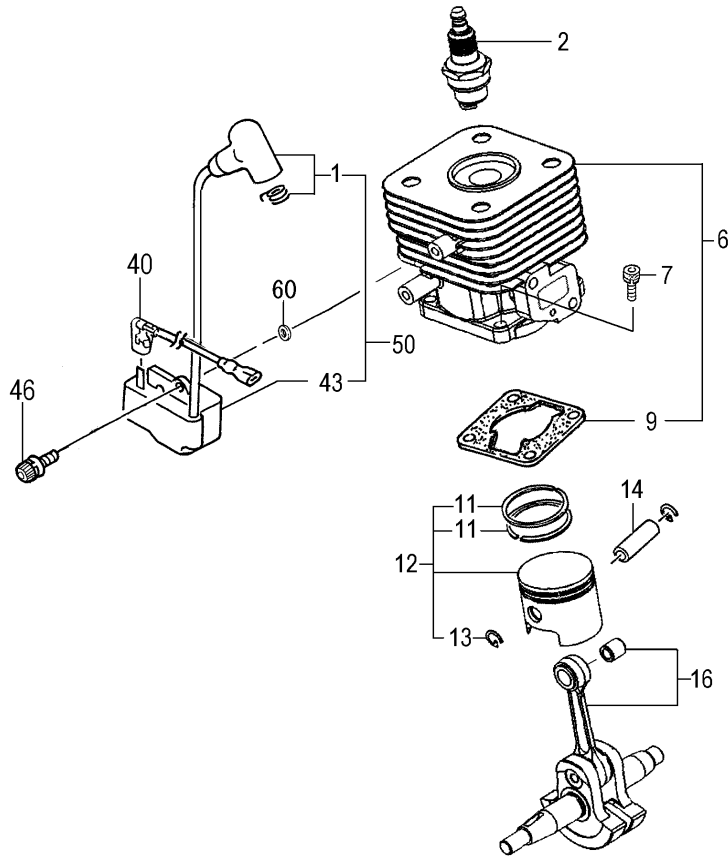
(For USA)

Tanaka

TED-270PFDH

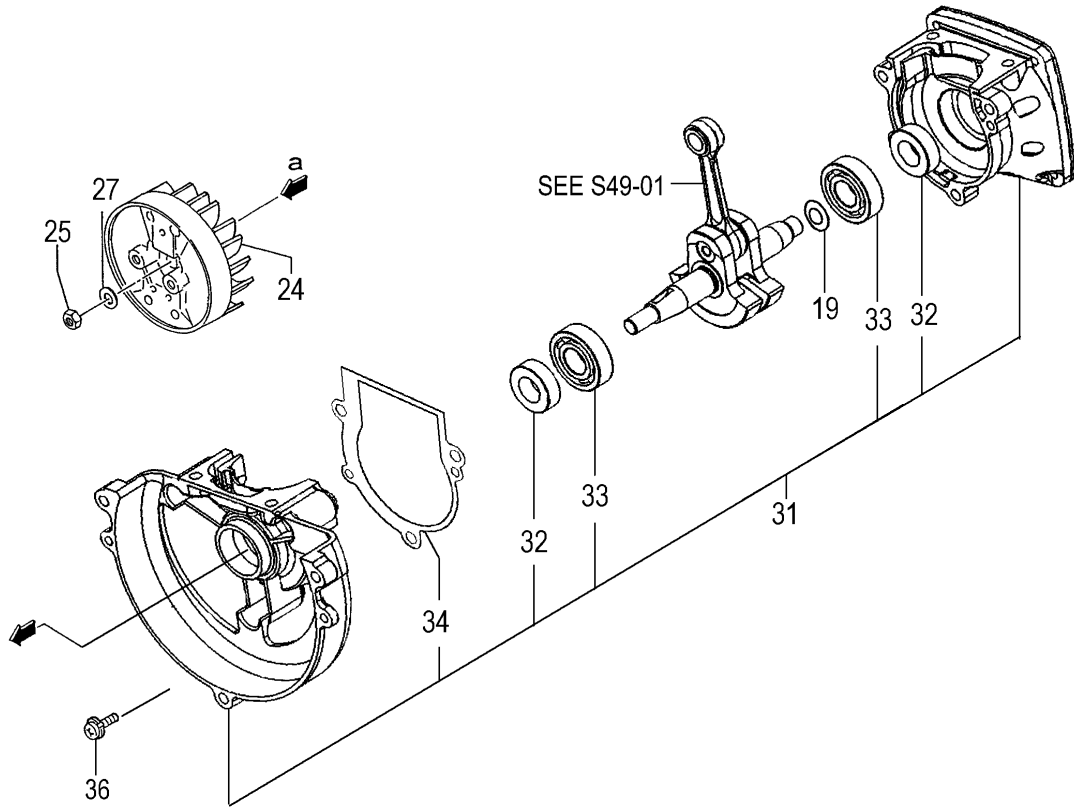
Serial No.

S49-01 CYLINDER/PISTON/CRANK SHAFT



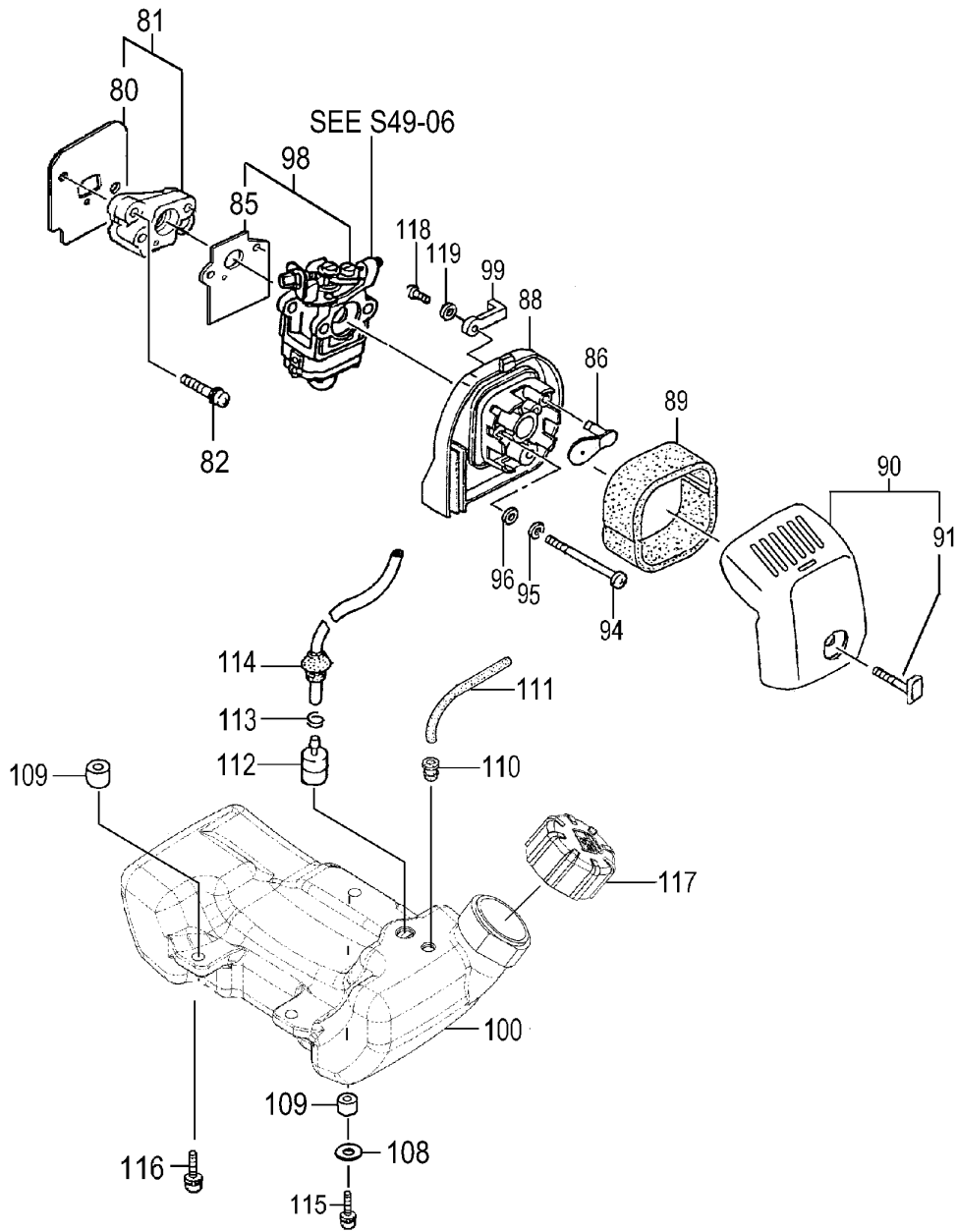
REF. NUMBER	PARTS NUMBER	DESCRIPTION	Q'TY	REMARKS
S49-01 CYLINDER/PISTON/CRANK SHAFT				
001	668-4894	PLUG CAP ASS'Y	1	
002	668-5771	SPARK PLUG CJ8	1	
006	668-5495	CYLINDER SET	1	
007	668-4586	HEX.HOLE BOLT M5X18/S	4	
009	668-4896	CYLINDER GASKET	1	
011	668-6121	PISTON RING	2	
012	668-5902	PISTON SET	1	
013	668-4590	PISTON PIN CIRCLIP	2	
014	668-4591	PISTON PIN	1	
016	668-6219	CRANK SHAFT COMP.	1	
040	668-7836	STOP CORD B 190M	1	
043	668-7687	IGNITION COIL COMP.	1	
046	668-4599	HEX.HOLE BOLT M4X18/WS	2	
050	668-7689	IGNITION COIL ASS'Y	1	
060	668-4600	WASHER	2	

S49-02 CRANK CASE



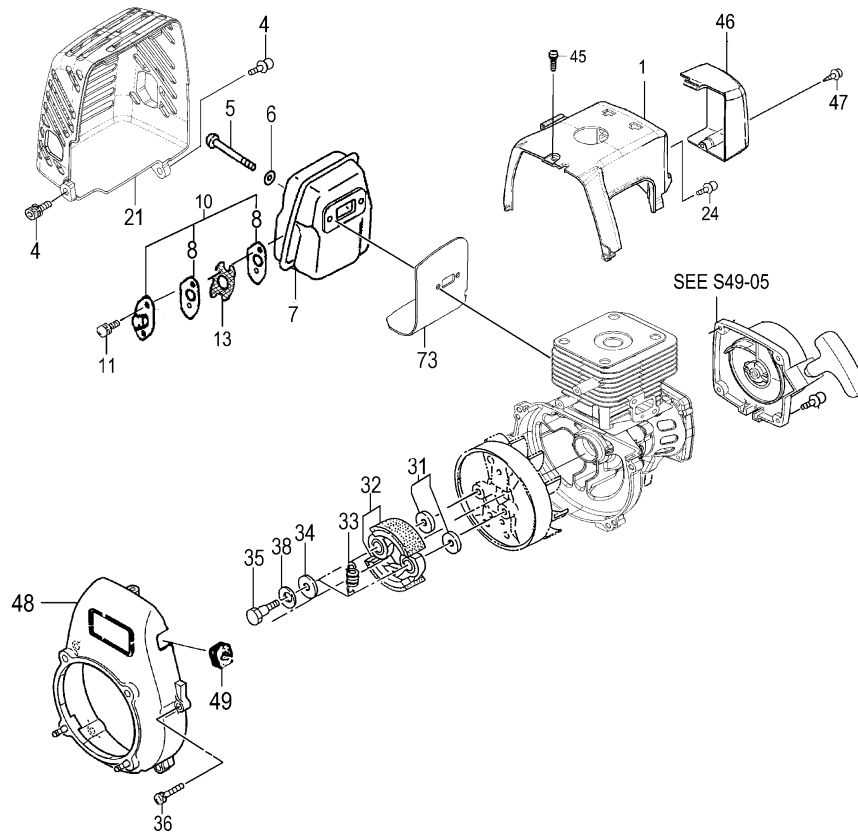
REF. NUMBER	PARTS NUMBER	DESCRIPTION	Q'TY	REMARKS
S49-02 CRANK CASE				
019	668-4604	GEAR SHAFT SHIM 0.20	V	
019	668-4605	GEAR SHAFT SHIM 0.30	V	
024	668-7385	MAGUET RITIR COMB. FW-	1	
025	668-4612	HEX.NUT M8	1	
027	668-4611	WASHER M8	1	
031	668-4905	CRANK CASE ASS'Y	1	
032	668-4607	OIL SEAL TB 12227	2	
033	668-4608	BALL BEARING 6001 C3	2	
034	668-4904	CRANK CASE GASKET	1	
036	668-4903	HEX.HOLE BOLT M5X16/S	4	

S49-03 ENGINE-1



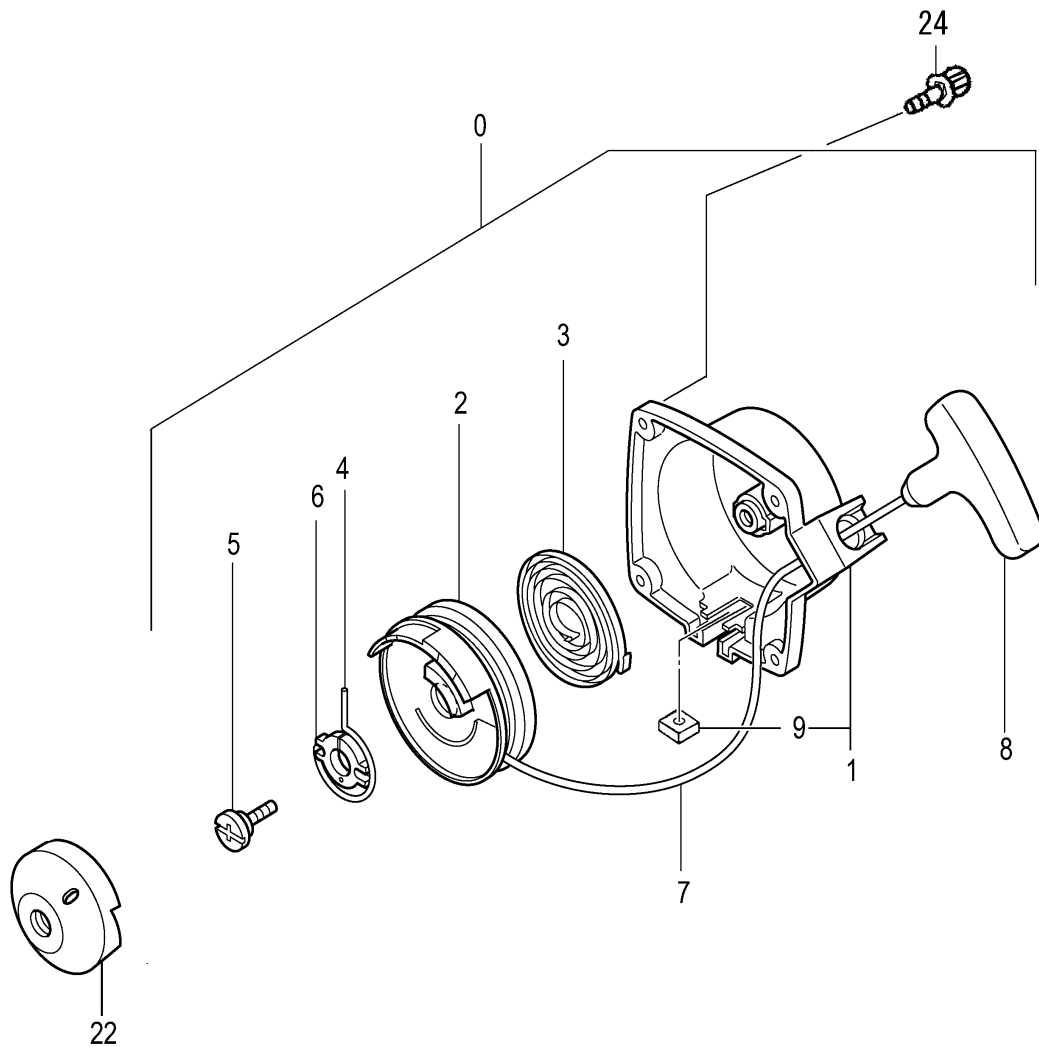
REF. NUMBER	PARTS NUMBER	DESCRIPTION	Q'TY	REMARKS
S49-03 ENGINE-1				
080	668-9895	INLET MANIFOLD GASKET	1	
081	668-9972	INSULATOR SET	1	
082	668-4617	HEX. HOLE BOLT 5X25/WS	2	
085	668-4616	CARBURETOR GASKET	1	
086	669-1276	CHOKE PLATE 2.0	1	
088	669-0120	CLEANER BODY COMP.	1	
089	669-0365	CLEANER SPONGE	1	
090	669-0402	CLEANER COVER ASS'Y	1	
091	669-0384	COVER FIXING BOLT	1	
094	669-4914	SCREW 5X55	2	
095	668-4662	S.WASHER 5	2	
096	668-4864	SMALL WASHER 5	2	
098	669-0522	CABURETOR SET WYJ-463	1	
099	669-1239	CHOKE CONTROL LEVER	1	
100	669-1602	TANK WHT	1	
108	668-9681	BRAKE SHAFT WASHER	1	
109	669-2244	COLLAR 5.8	3	
110	668-4627	RETURN GROMMET	1	
111	668-4626	FUEL PIPE 3X5X65	1	
112	668-4620	PUMP FILTER BODY COMP.	1	
113	668-4619	CLIP,6.3 DIA.	1	
114	668-4618	FUEL PIPE ASS'Y	1	
115	669-5506	HEX HOLE BOLT 5X20PS	1	
116	669-5504	HEX.HOLE BOLT 5X16/PS	3	
117	669-1748	TANK CAP D ASS'Y	1	
118	669-5280	TAP SCREW 4X14 P	1	
119	668-5070	BOLT WASHER M4	1	

S49-04 ENGINE-2



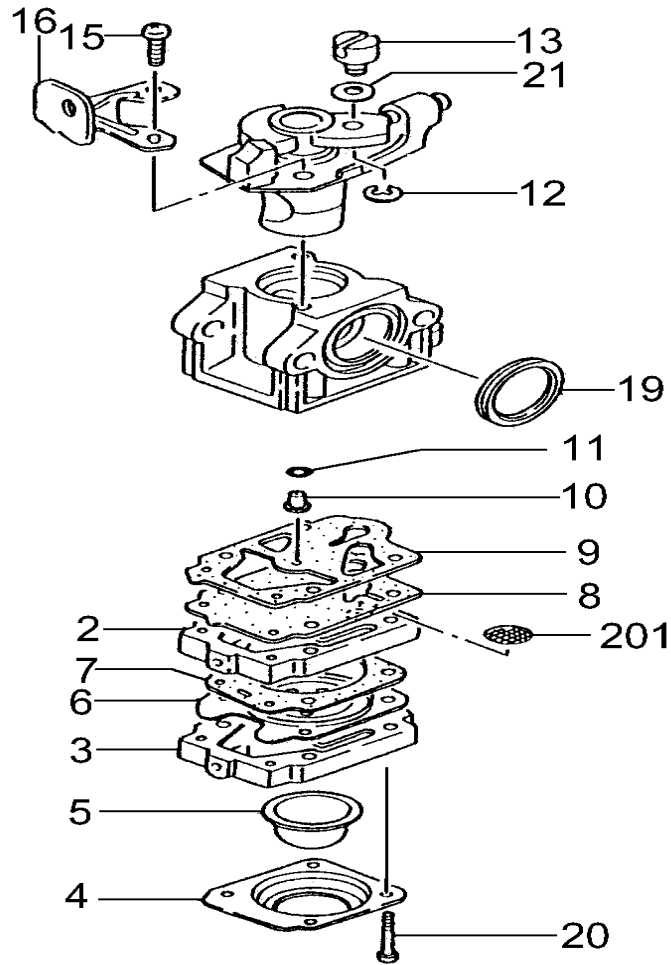
REF. NUMBER	PARTS NUMBER	DESCRIPTION	Q'TY	REMARKS
S49-04 ENGINE-1				
001	668-5693	CYLINDER COVER (BLK)	1	
004	669-5504	HEX.HOLE BOLT 5X16/PS	2	
005	669-5067	HEX.HOLE BOLT 6X65	2	
006	668-4639	WASHER 6	2	
007	669-2575	MUFFLER COMP.	1	
008	669-2886	MUFFLER SPECIAL GASKET	2	
010	669-2716	TAIL PIPE SET	1	
011	668-4651	SCREW M4X8/WS	2	
013	669-2702	SPARK ARRESTER	1	
021	669-2817	MUFFLER PROTECTOR	1	
024	669-5508	HEX. HOLE BOLT 4X18WS	2	
031	668-4642	CLUTCH WASHER B	2	
032	668-4643	CLUTCH SHOE COMP.	2	
033	668-4644	CLUTCH SPRING	1	
034	668-4645	CLUTCH PLATE A 0.5	2	
035	668-4646	STEP BOLT	2	
036	668-4647	HEX.HOLE BOLT M5X18/WS	3	
038	668-4648	BENT WASHER 8	2	
045	668-4682	HEX.HOLE BOLT 4X15/PS	1	
046	668-7217	DEFLECTOR BLACK	1	
047	668-4751	TAPPING SCREW 4X14	1	
048	668-7039	FAN CASE COMP. OR	1	

S49-05 RECOIL STARTER



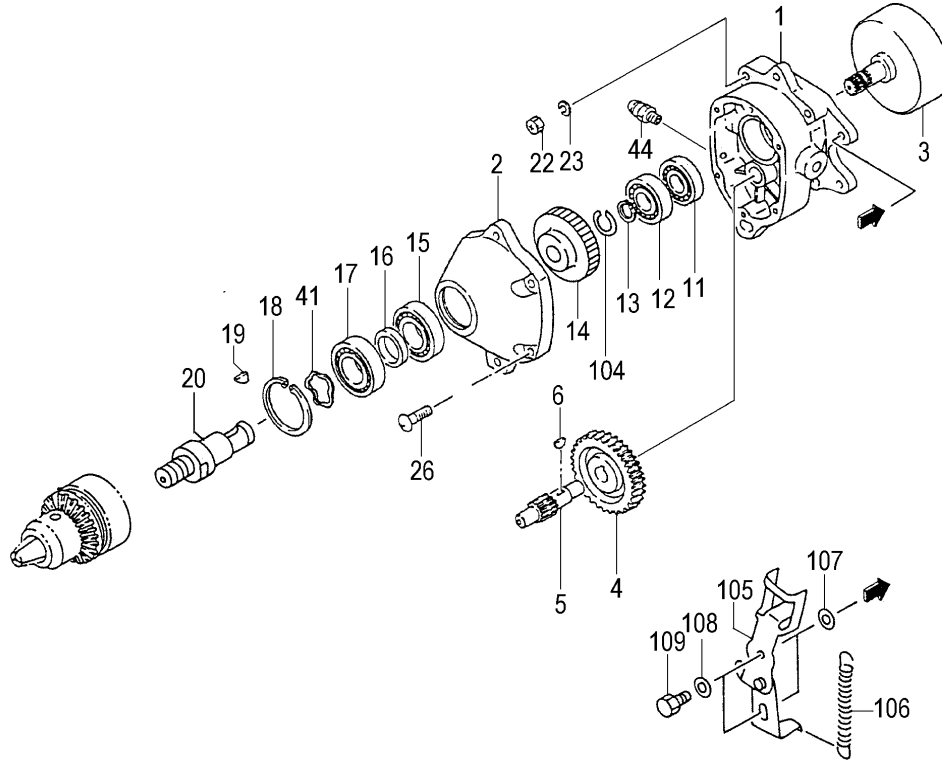
REF. NUMBER	PARTS NUMBER	DESCRIPTION	Q'TY	REMARKS
S49-05 RECOIL STARTER				
000	668-4938	RECOIL STARTER BODY ASS'Y	1	
001	669-3024	RECOIL STARTER BODY	1	
002	668-4941	STARTER ROPE REEL	1	
003	668-4942	RECOIL SPRING	1	
004	668-4940	SWING ARM	1	
005	668-4679	SET SCREW	1	
006	668-4939	PULLEY STAY	1	
007	668-4943	ROPE 3.0X800	1	
008	668-4680	STARTER HANDLE	1	
009	668-5000	SPECIAL NUT M5	1	
022	668-4937	STARTER PULLEY	1	
024	669-5508	HEX. HOLE BOLT 4X18WS	2	

H49-06 CARBURETOR



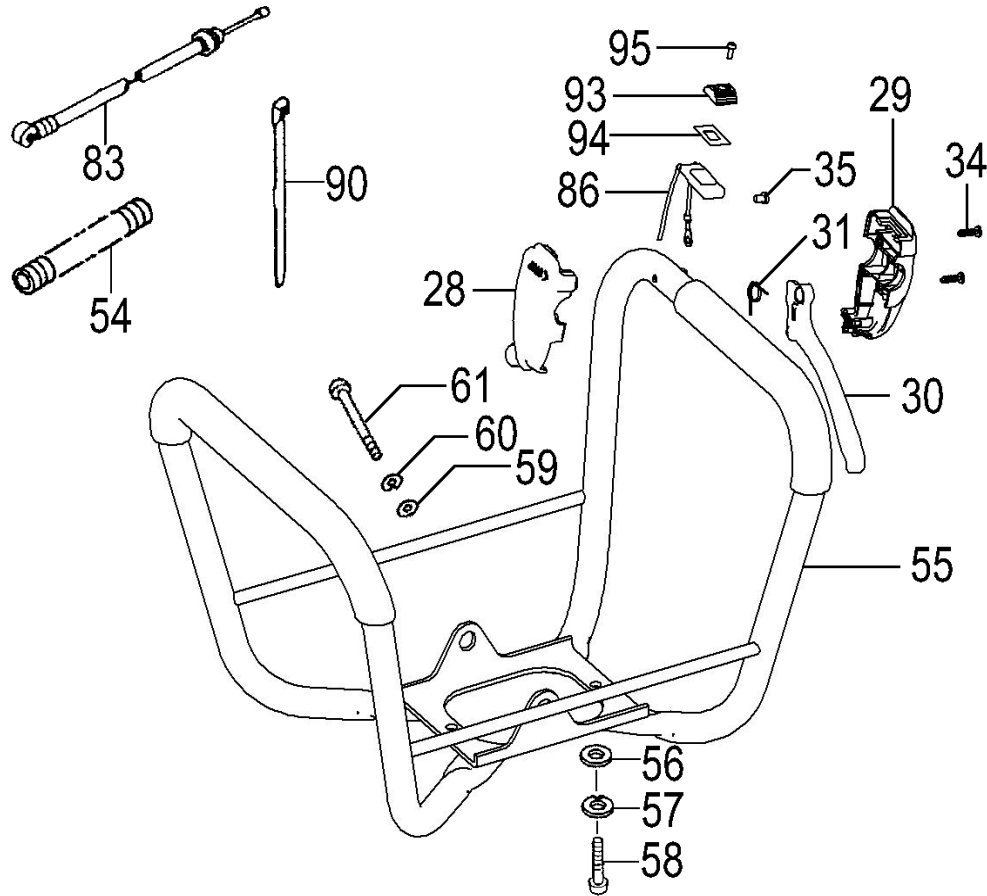
REF. NUMBER	PARTS NUMBER	DESCRIPTION	Q'TY	REMARKS
S49-06 CARBURETOR				
002	668-4879	PUMP BODY COMP.	1	
003	668-4687	PRIMING PUMP COMP.	1	
004	668-4688	DIAPHRAGM COVER	1	
005	668-4689	PRIMING BODY	1	
006	668-4690	METERING DIAPHRAGM COMP.	1	
007	668-4691	DIAPHRAGM GASKET	1	
008	668-4693	PUMP DIAPHRAGM	1	
009	668-4692	PUMP GASKET	1	
010	669-1874	LONG MAIN JET #38	1	
011	668-4695	O-RING	1	
012	668-4696	STOP RING	1	
013	668-4697	SWIVEL	1	
015	668-4870	THROTTLE SET SCREW	2	
016	668-4873	CABLE ADJUSTER STAY	1	
019	668-4875	CLEANER PACKING	1	
020	668-4699	SET SCREW	4	
021	668-4874	THRUST WASHER	1	
201	668-4700	INLET SCREEN	1	

S46-07 GEAR CASE



REF. NUMBER	PARTS NUMBER	DESCRIPTION	Q'TY	REMARKS
S46-07 GEAR CASE				
001	668-5578	GEAR CASE A COMP.	1	
002	668-5593	GEAR CASE B COMP.	1	
003	668-8210	CLUTCH HOUSING COMP.	1	
004	668-5656	GEAR 2	1	
005	668-5702	GEAR 3	1	
006	668-6454	WOOD-RUFF KEY 3X10X3.7	1	
011	669-5532	BALL BEARING #6001Z, 28MM/OD	1	
012	669-5534	BALL BEARING #16001	1	
013	669-5282	STOP RING C 11, OUTER	1	
014	668-5788	GEAR 4	1	
015	669-5587	BALL BEARING #7202B, 35MM/OD	1	
016	668-6065	WASHAER C 5.0	1	
017	669-5559	BALL BEARING #6202Z, 35MM/OD	1	
018	669-5296	STOP RING C-35, INNER	1	
019	668-6455	WOOD-RUFF KEY 3X13X5	1	
020	668-5824	DRIVE SHAFT	1	
022	668-4792	NUT M6	4	
023	669-5219	S.WASHER 6	4	
026	669-5339	SCREW 5X18/S	4	
041	669-5206	WAVE WASHER B.B 35	1	
044	668-8643	GREASE NIPPLE COMP.	1	
104	669-5283	STOP RING C-13, OUTER	1	
105	668-9992	LOCK LEVER COMP.	1	
106	668-9998	LOCK LEVER SPRING	1	
107	668-7942	SPECIAL WASHER	2	
108	668-5103	BOLT WASHER M7	2	

S49-08 HANDLE/LEVER



REF. NUMBER	PARTS NUMBER	DESCRIPTION	Q'TY	REMARKS
S49-08 HANDLE/LEVER				
028	669-3795	THROTTLE BODY A	1	
029	669-3818	THROTTLE BODY B	1	
030	668-6402	THROTTLE LEVER DH	1	
031	668-6421	THROTTLE LEVER SPRING	1	
034	669-5280	TAP SCREW 4X14 P	2	
035	669-4860	SCREW 4X6	1	
054	668-7537	PROTECTION TUBE 7X530L	1	
055	668-6256	HANDLE COMP	1	
056	669-5219	S.WASHER 6	2	
057	668-4639	WASHER 6	2	
058	669-5015	PLUS BOLT 6X12	2	
059	669-5198	WASHER 10	2	
060	669-5225	S.WASHER 10	2	
061	669-5005	BOLT 10X20	2	
083	669-3989	THROTTLE WIRE 585+32	1	
086	668-7777	STOP SWITCH COMP.	1	
090	668-8015	CORD CLAMP	1	
093	668-8366	BUTTON STOP	1	
094	669-4588	STOP BUTTON MARK	1	
095	668-4913	SCREW 3X10	1	

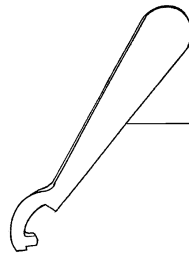
S49-09 TOOLS/LABELS



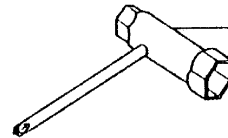
1



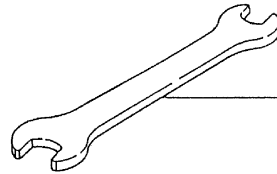
3



10



21



25

REF. NUMBER	PARTS NUMBER	DESCRIPTION	Q'TY	REMARKS
S49-09 TOOLS/LABELS				
001	669-4240	NAME PLATE TED-280PFDH	1	
003	669-4574	CAUTION MARK	1	
010	669-3647	SPECIAL WRENCH 31	1	
021	668-5999	COBI BOX SPANNER 10X19	1	
025	668-6251	SPANNER 17X19	1	