

# **Tanaka** Illustrated Parts Manual

Model Number:

**TED-262L/DH**

**Portable Gas Drill**

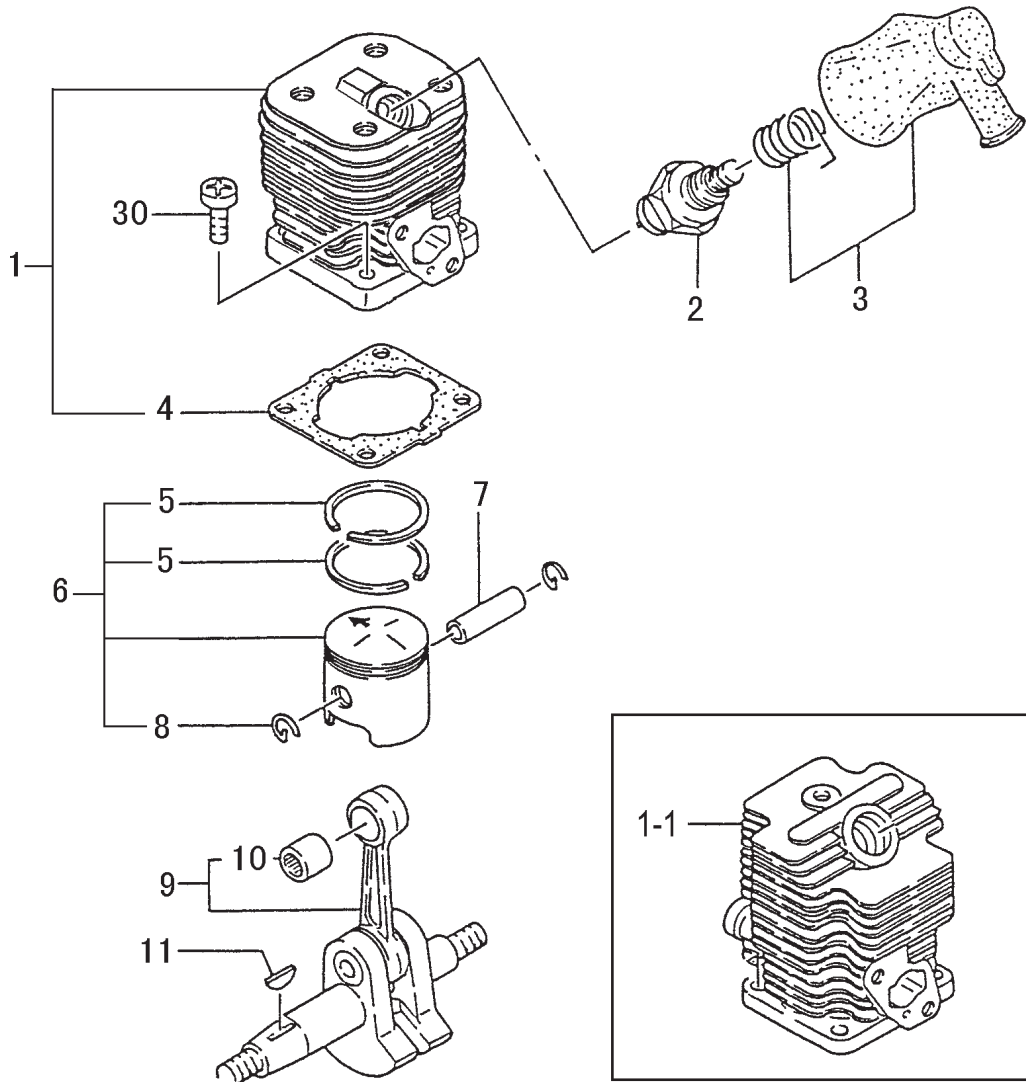
P/N 12128

Rev 001

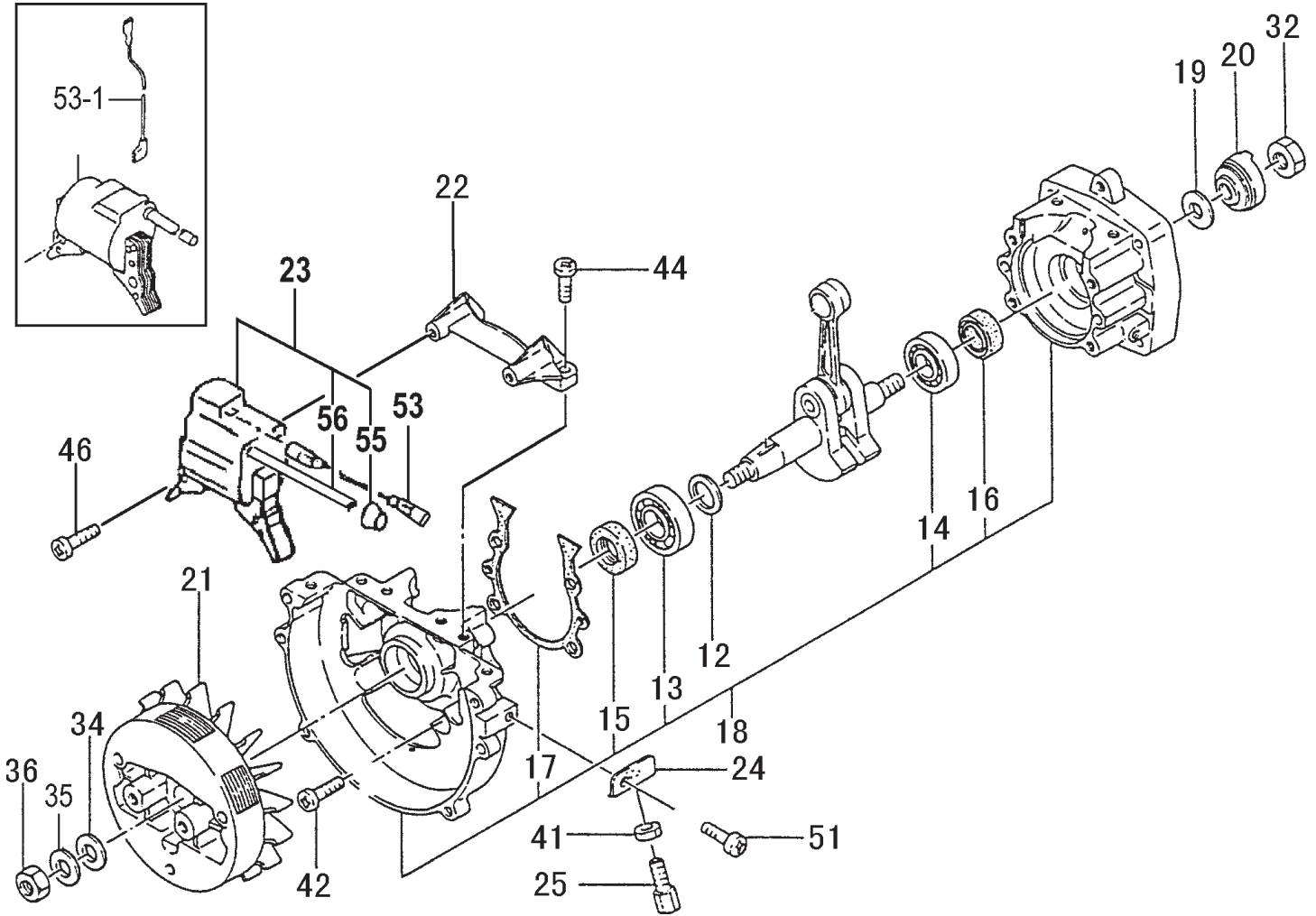
Date 12-3-07



Nikko Tanaka Engineering U.S.A.,Ltd. • 1028 4<sup>th</sup> Street SW, Bldg B • Auburn, WA 98001 • Phone: (253) 333-1200 • Fax: (253) 333-1212



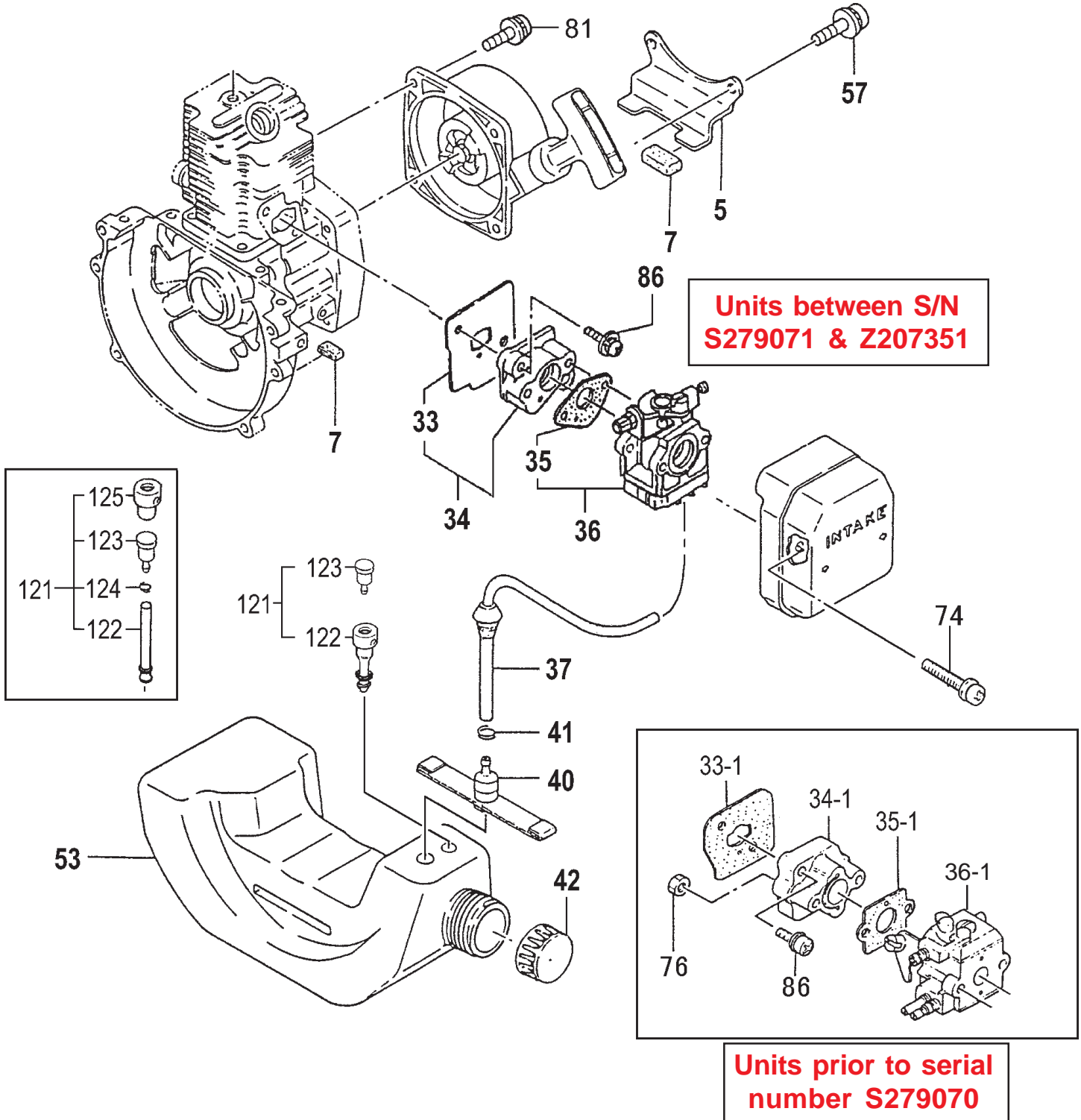
| ITEM  | PART NUMBER | DESCRIPTION             | QTY | COMMENTS                         |
|-------|-------------|-------------------------|-----|----------------------------------|
| 1-1-1 | 00201601800 | CYLINDER                | 1   | ~S279070                         |
| 1-1   | 0010160090  | SET,CYLINDER            | 1   | S279071~ Includes gasket         |
| 1-2   | 0180050221  | PLUG,SPARK              | 1   |                                  |
| 1-3   | 1570097A900 | CAP,SPARK PLUG,ASS'Y    | 1   |                                  |
| 1-4   | 01701620200 | GASKET,CYLINDER         | 1   |                                  |
| 1-5   | 04101601200 | RING,PISTON             | 2   |                                  |
| 1-6   | 0300162090  | PISTON SET              | 1   | Includes piston pin and circlips |
| 1-7   | 03701700200 | PIN,PISTON              | 1   |                                  |
| 1-8   | 03900000201 | CIRCLIP,PISTON PIN      | 2   |                                  |
| 1-9   | 0460162S81  | CRANKSHAFT              | 1   |                                  |
| 1-10  | 99962091338 | BEARING,NEEDLE,KTV91313 | 1   |                                  |
| 1-11  | 06810100200 | KEY,WOODRUFF,3X13X4.5   | 1   |                                  |
| 1-30  | 99414050161 | SCREW,5X16/S            | 4   |                                  |



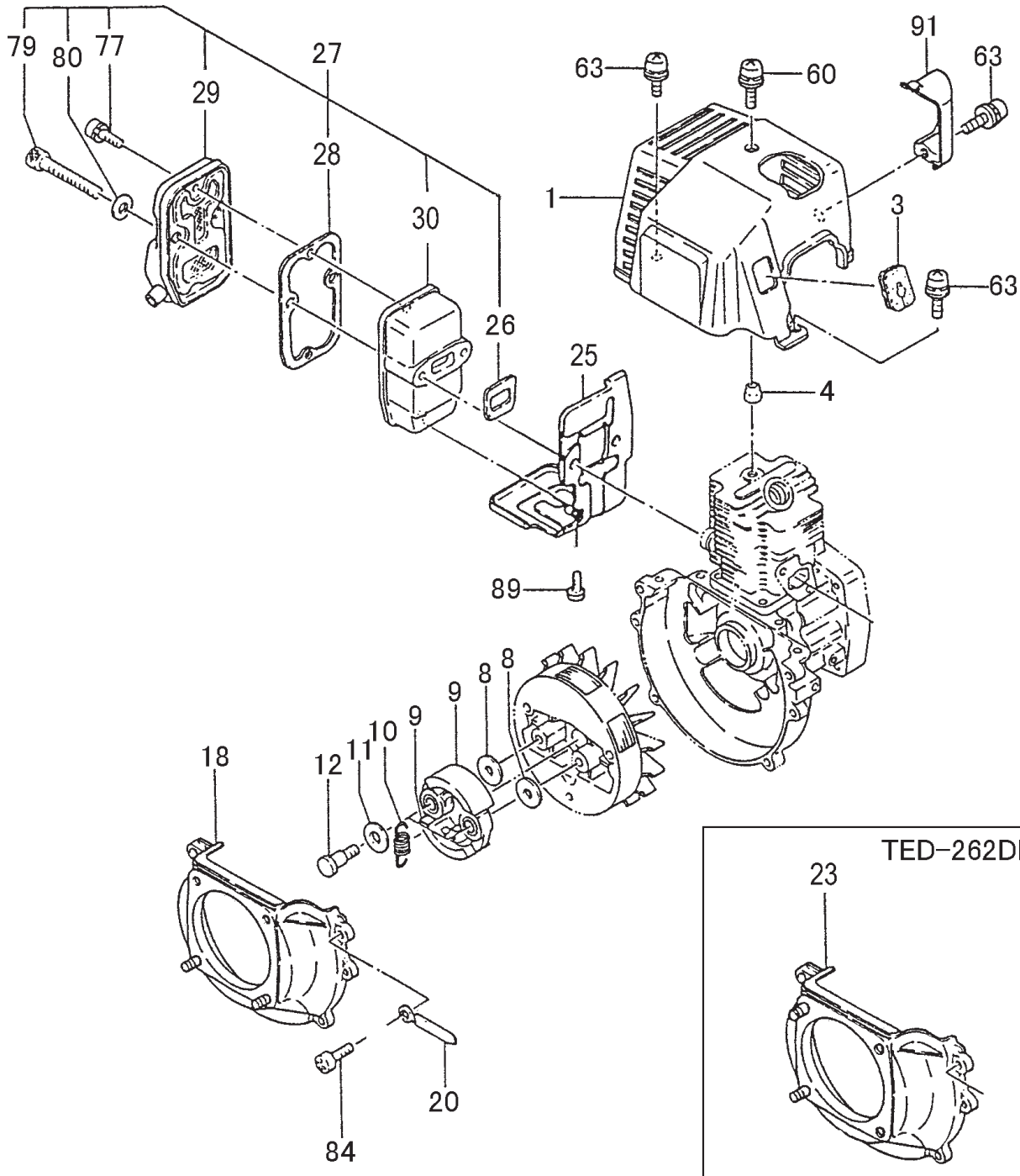
### CRANKCASE, FLYWHEEL, IGNITION • FIGURE 2

| ITEM   | PART NUMBER | DESCRIPTION          | QTY | COMMENTS                               |
|--------|-------------|----------------------|-----|--|
| 2-12   | 07102007200 | SHIM,15.2X20X.05     | V   | Variable - use as needed for clearance |
| 2-12   | 07102007210 | SHIM,15.2X20X.10     | V   | Variable - use as needed for clearance |
| 2-12   | 07102007220 | SHIM,15.2X20X.15     | V   | Variable - use as needed for clearance |
| 2-12   | 07111600230 | SHIM,16X21X.20       | V   | Variable - use as needed for clearance |
| 2-12   | 07111600240 | SHIM,16X21X.30       | V   | Variable - use as needed for clearance |
| 2-13   | 99961600200 | BEARING,BALL,#6002   | 1   |  |
| 2-14   | 99961600115 | BEARING,BALL,6001 C3 | 1   |  |
| 2-15   | 99966152564 | SEAL,OIL,UD15257     | 1   |  |
| 2-16   | 99966122240 | SEAL,OIL,#12227      | 1   |  |
| 2-17   | 0900060120  | GASKET,CRANKCASE     | 1   |  |
| 2-18   | 07201620900 | CRANKCASE,ASS'Y      | 1   | Includes gasket, bearings and seals    |
| 2-19   | 35910112203 | WASHER,CLUTCH B      | 1   |  |
| 2-20   | 79801630200 | PULLEY,STARTER       | 1   |  |
| 2-21   | 1552172080  | ROTOR,MAGNETO        | 1   |  |
| 2-22   | 1650162V200 | PLATE,COIL HOLDING   | 1   |  |
| 2-23   | 1672054790  | COIL,IGNITION        | 1   |  |
| 2-24   | 90401620201 | BRACKET,ADJUSTER     | 1   | ~S279070                               |
| 2-25   | 89401401201 | RECEIVER,OUTER       | 1   | ~S279070                               |
| 2-32   | 99101080011 | NUT,8                | 1   |  |
| 2-34   | 99200080011 | WASHER,8             | 1   |  |
| 2-35   | 99210080012 | WASHER,S,8           | 1   | ~L242757                               |
| 2-36   | 99101080011 | NUT,8                | 1   |  |
| 2-41   | 99101060013 | NUT,6                | 1   | ~S279070                               |
| 2-42   | 99414050301 | SCREW,5X30/S         | 4   |  |
| 2-44   | 99414050161 | SCREW,5X16/S         | 2   |  |
| 2-46   | 99416040186 | SCREW,WS,4X18        | 2   |  |
| 2-51   | 99414050121 | SCREW,S,5X12         | 1   | ~S279070                               |
| 2-53-1 | 1780136M800 | CORD,STOP            | 1   | ~V028010                               |
| 2-53   | 1780160080  | CORD                 | 1   | V028011~                               |
| 2-55   | 56020517200 | CAP,RUBBER           | 1   | V028011~                               |
| 2-56   | 1782054420  | LEAD,HIGH TENSION    | 1   | V028011~                               |





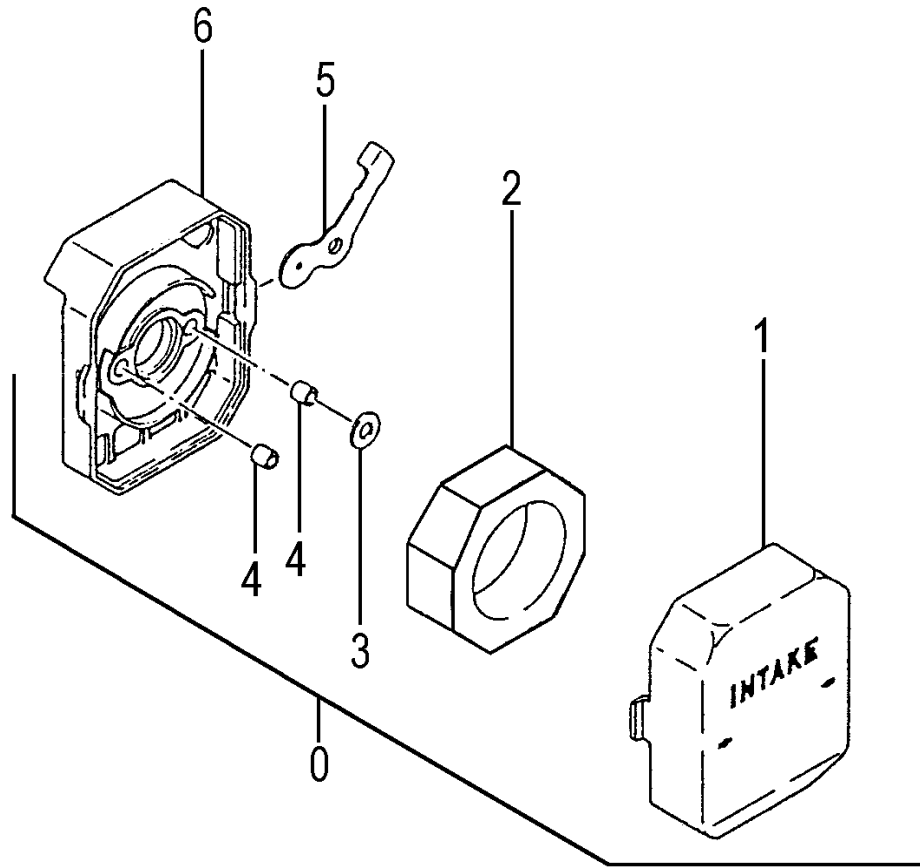
| ITEM   | PART NUMBER | DESCRIPTION             | QTY | COMMENTS                 |
|--------|-------------|-------------------------|-----|--------------------------|
| 4-5    | 65301620200 | BRACKET,TANK            | 1   |                          |
| 4-7    | 65506100200 | CUSHION,TANK            | 4   |                          |
| 4-33-1 | 40301620201 | GASKET,INLET MANIFOLD   | 1   | ~S279070                 |
| 4-33   | 4030160020  | GASKET,INLET MANIFOLD   | 1   | S279071~                 |
| 4-34-1 | 4040162022  | INSULATOR,CARBURETOR    | 1   | ~S279070                 |
| 4-34   | 4040160091  | INSULATOR SET           | 1   | S279071~ Includes gasket |
| 4-35-1 | 4020060120  | GASKET,CARBURETOR       | 1   | ~S279070                 |
| 4-35   | 4020602K21  | GASKET,CARBURETOR       | 1   | S279071~                 |
| 4-36   | 4550160090  | CARBURETOR SET          | 1   | S279071~ Includes gasket |
| 4-36-1 | 45525023900 | CARBURETOR ASSY         | 1   | ~S279070                 |
| 4-37   | 2230162V900 | PIPE,FUEL,ASS'Y         | 1   | ~S279070                 |
| 4-37   | 2230650090  | PIPE,FUEL,ASS'Y         | 1   | S279071~                 |
| 4-40   | 6750608A900 | FILTER,FUEL             | 1   |                          |
| 4-41   | 68000731201 | CLIP 6.3                | 1   |                          |
| 4-42   | 5950650A90  | CAP,TANK                | 1   | ~T253552                 |
| 4-42   | 5950656B90  | CAP,FUEL BLACK,NON VENT | 1   | T253553~                 |
| 4-53   | 5910162T220 | TANK,FUEL               | 1   | ~T253552                 |
| 4-53   | 5910160020  | TANK,FUEL               | 1   | T253553~                 |
| 4-57   | 99415040182 | SCREW,PS,4X18           | 2   |                          |
| 4-74   | 99416050601 | SCREW,5x60WS            | 2   | ~R007764                 |
| 4-74   | 99416050651 | SCREW,5X65/WS           | 2   | ~S279070                 |
| 4-74   | 99416050601 | SCREW,5x60WS            | 2   | S279071~                 |
| 4-76   | 99178050010 | NUT,LOCK 5              | 2   | ~S279070                 |
| 4-81   | 99415040142 | SCREW,4X14/PS           | 2   |                          |
| 4-86   | 99416050221 | SCREW,5X22/WS           | 2   | ~S279070                 |
| 4-86   | 99416050241 | SCREW 5x24WS            | 2   | S279071~                 |
| 4-121  | 5640661190  | VENT,AIR ASS'Y          | 1   | T253553~                 |
| 4-122  | 5650441020  | PIPE,AIR VENT           | 1   | T253553~                 |
| 4-123  | 6460661290  | VALVE                   | 1   | T253553~                 |
| 4-124  | 68000206200 | CLIP,5.5                | 1   | T253553~                 |
| 4-124  | 68000206200 | CLIP,5.5                | 1   | ~V168600                 |
| 4-125  | 5610007020  | COVER,AIR VENT          | 1   | T253553~                 |
| 4-125  | 5610007020  | COVER,AIR VENT          | 1   | ~V168600                 |



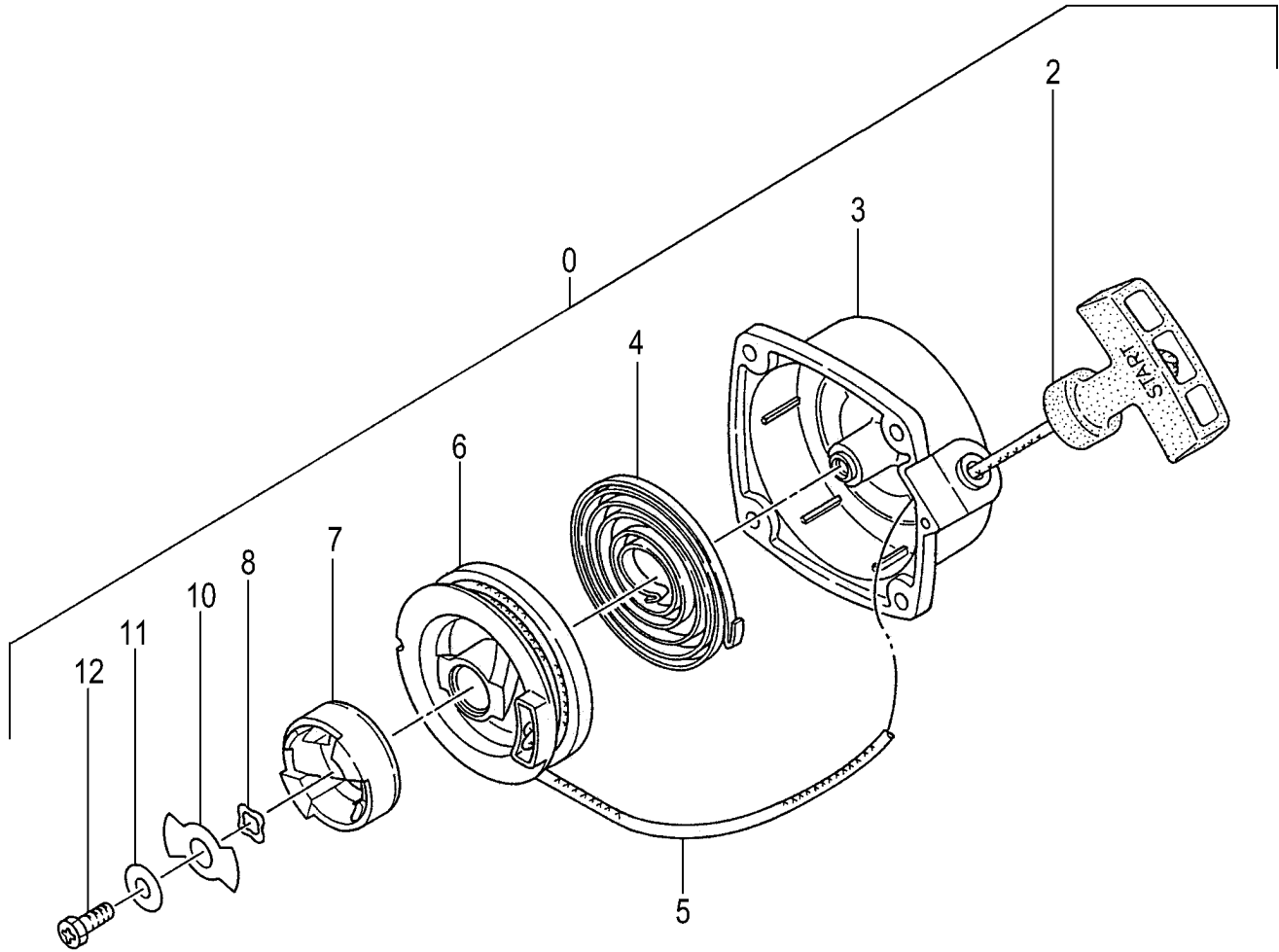


### MUFFLER, CLUTCH & COVER • FIGURE 5

| ITEM | PART NUMBER | DESCRIPTION             | QTY | COMMENTS |
|------|-------------|-------------------------|-----|----------|
| 5-1  | 7380162021  | PROTECTOR,MUFFLER       | 1   |          |
| 5-3  | 2030630B201 | GROMMET,CORD,PRIMARY    | 1   |          |
| 5-4  | 0110630B200 | COLLAR                  | 1   | ~S279070 |
| 5-8  | 35902103200 | WASHER,CLUTCH,B         | 2   |          |
| 5-9  | 29001620800 | SHOE,CLUTCH             | 2   |          |
| 5-10 | 3420630B200 | SPRING,CLUTCH           | 1   |          |
| 5-11 | 35802103200 | WASHER,CLUTCH A         | 2   |          |
| 5-12 | 3570075T200 | BOLT,STEP               | 2   |          |
| 5-18 | 1120162S801 | CASE,FAN                | 1   |          |
| 5-20 | 19805015800 | CLAMP,CORD              | 1   | ~S279070 |
| 5-23 | 1120162U80  | CASE,FAN                | 1   |          |
| 5-25 | 13301620220 | SHIELD,HEAT             | 1   |          |
| 5-26 | 73701620200 | GASKET,MUFFLER          | 1   |          |
| 5-27 | 7040162T90  | SET,MUFFLER             | 1   |          |
| 5-28 | 73901620210 | GASKET,MUFFLER COUPLING | 1   |          |
| 5-29 | 7170162T800 | BODY,MUFFLER,B          | 1   |          |
| 5-30 | 71601620210 | BODY,MUFFLER,A          | 1   |          |
| 5-60 | 99415050182 | SCREW,5X18/PS           | 1   | ~S279070 |
| 5-63 | 99415050122 | SCREW,5X12/PS           | 3   |          |
| 5-77 | 99413040122 | SCREW,4X12/P            | 2   |          |
| 5-79 | 99051050453 | BOLT,HEX,5X45           | 2   |          |
| 5-80 | 99201050061 | WASHER,5                | 2   |          |
| 5-84 | 99414050161 | SCREW,5X16/S            | 4   |          |
| 5-89 | 99413050101 | SCREW,5X10/P            | 1   |          |
| 5-91 | 13201620200 | DEFLECTOR,AIR           | 1   |          |

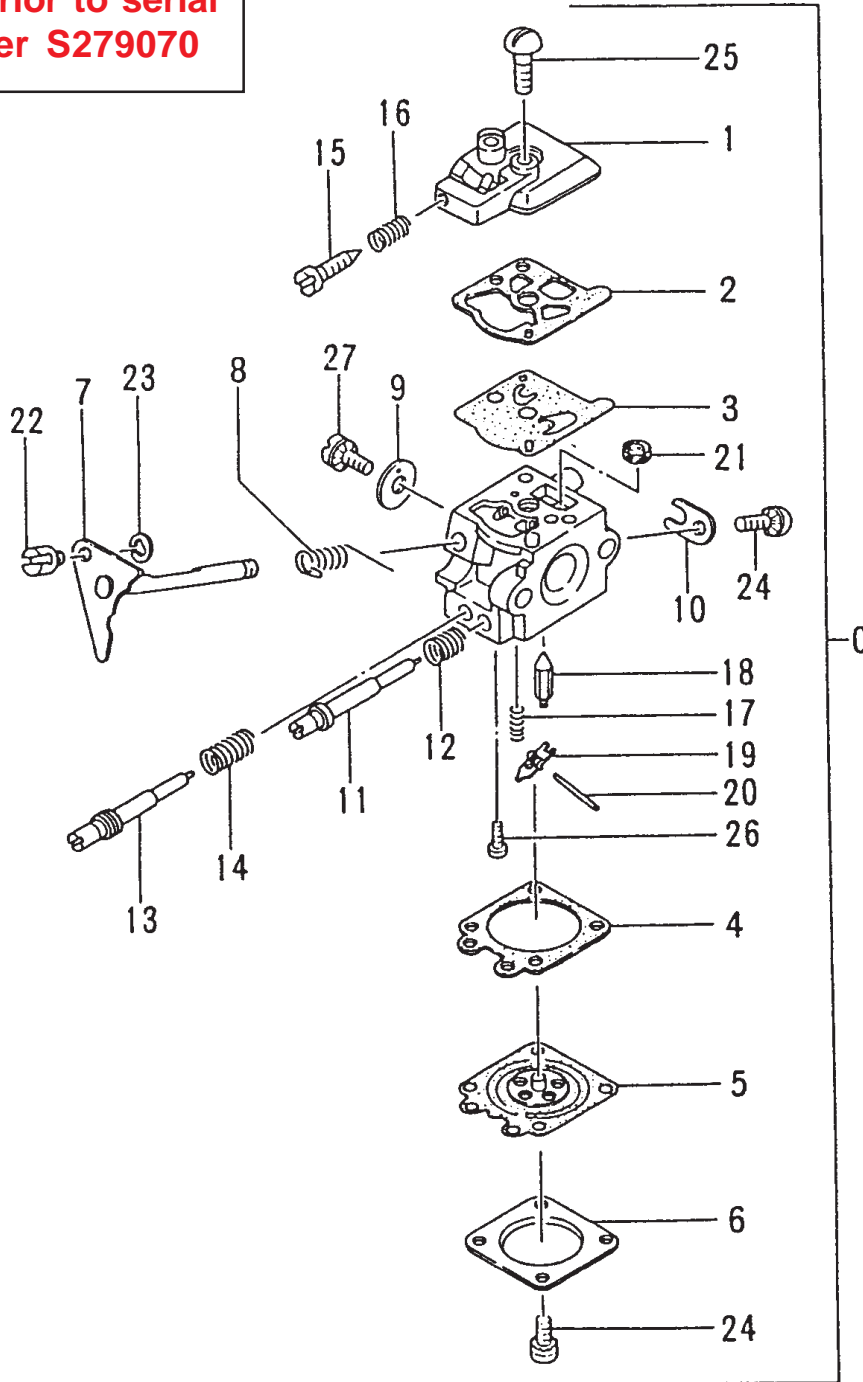


| ITEM | PART NUMBER | DESCRIPTION      | QTY | COMMENTS |
|------|-------------|------------------|-----|----------|
| 6-0  | 4100650D90  | AIR CLEANER ASSY | 1   |          |
| 6-1  | 4240602K201 | CAP,CLEANER      | 1   |          |
| 6-2  | 4460602K200 | ELEMENT,CLEANER  | 1   |          |
| 6-3  | 4530602K200 | COLLAR           | 1   |          |
| 6-4  | 4700602K200 | COLLAR           | 2   | ~R007764 |
| 6-4  | 47000025200 | COLLAR           | 2   | R007765~ |
| 6-5  | 5280602D200 | PLATE,CHOKE      | 1   | ~R007764 |
| 6-5  | 5280072Z20  | PLATE,CHOKE      | 1   |          |
| 6-5  | 5280635A200 | PLATE,CHOKE      | 1   | S279071~ |
| 6-6  | 4230072Z81  | BODY,CLEANER     | 1   |          |

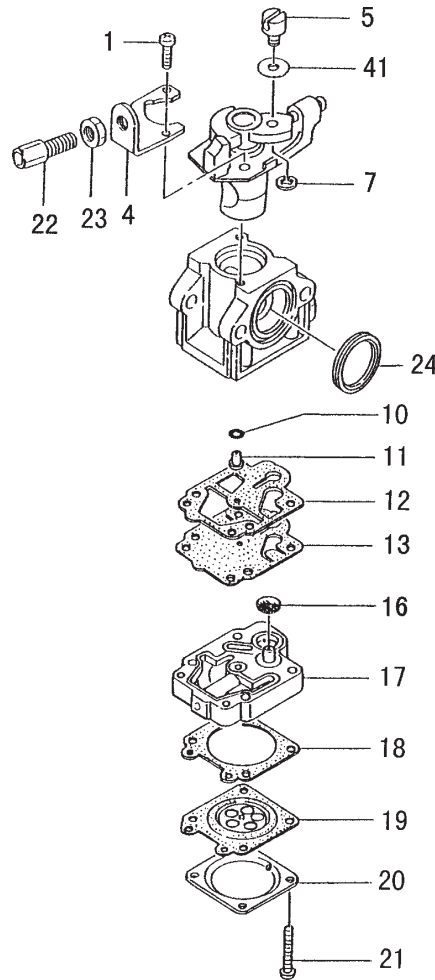


| ITEM | PART NUMBER | DESCRIPTION           | QTY | COMMENTS |
|------|-------------|-----------------------|-----|----------|
| 7-0  | 7620094090  | STARTER,RECOIL ASS'Y  | 1   |          |
| 7-2  | 78500940200 | HANDLE,STARTER        | 1   |          |
| 7-3  | 77200940801 | BODY,STARTER          | 1   |          |
| 7-4  | 78000940200 | SPRING,RECOIL         | 1   |          |
| 7-5  | 78300940200 | ROPE,STARTER          | 1   |          |
| 7-6  | 77400940200 | REEL,STARTER ROPE     | 1   | ~V202950 |
| 7-6  | 7740163021  | PULLEY,STARTER        | 1   | V202951~ |
| 7-7  | 7880163021  | PAWL,STARTER          | 1   |          |
| 7-8  | 80105015200 | WASHER,STARTER PULLEY | 1   |          |
| 7-10 | 8370501521  | FRICTION PLATE        | 1   | ~V202950 |
| 7-10 | 8370423020  | PLATE,FRICTION        | 1   | V202951~ |
| 7-11 | 82205015200 | SHIM,PULLEY           | 1   | ~V202950 |
| 7-11 | 8220423020  | SHIM,STARTER PULLEY   | 1   | V202951~ |
| 7-12 | 8390423020  | BOLT,SET              | 1   |          |

Units prior to serial number S279070



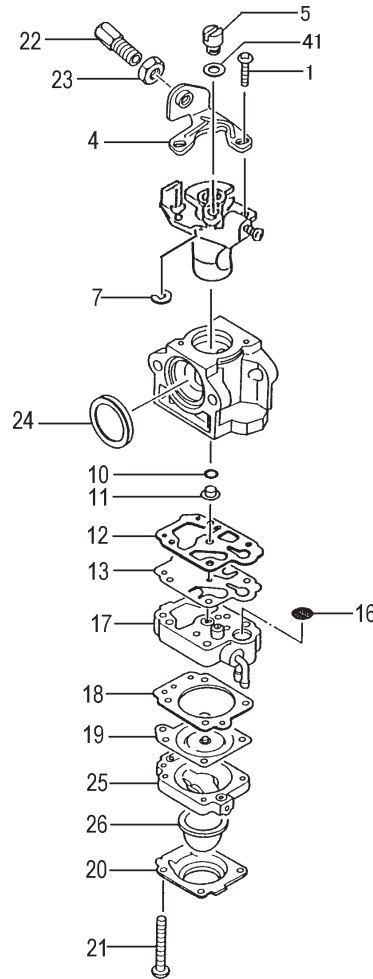
| ITEM | PART NUMBER | DESCRIPTION           | QTY | COMMENTS                       |
|------|-------------|-----------------------|-----|--------------------------------|
| 8-0  | 45525023900 | CARBURETOR, ASS'Y     | 1   | ~S279070                       |
| 8-1  | 57525028200 | BODY, PUMP            | 1   |                                |
| 8-2  | ~ ~ ~       | GASKET, PUMP          | 1   | ~ Contained in Carb Repair Kit |
| 8-3  | ~ ~ ~       | DIAPHRAGM, PUMP       | 1   | P/N 650-25001-910              |
| 8-4  | ~ ~ ~       | GASKET, DIAPHRAGM     | 1   | (not available individually)   |
| 8-5  | ~ ~ ~       | DIAPHRAGM, METERING   | 1   |                                |
| 8-6  | 47625004200 | COVER, DIAPHRAGM      | 1   |                                |
| 8-7  | 46425010800 | SHAFT, THROTTLE       | 1   |                                |
| 8-8  | 48625009200 | SPRING, THROTTLE      | 1   |                                |
| 8-9  | 48825008200 | VALVE, THROTTLE       | 1   |                                |
| 8-10 | 55725006200 | CLIP, THROTTLE SHAFT  | 1   |                                |
| 8-11 | 46025023200 | SCREW, HIGH ADJUST    | 1   |                                |
| 8-12 | 48525003200 | SPRING, ADJUST, HIGH  | 1   |                                |
| 8-13 | 46125023200 | SCREW, LOW ADJUST     | 1   |                                |
| 8-14 | 62325001200 | SPRING, ADJUST, LOW   | 1   |                                |
| 8-15 | 46225006200 | SCREW, IDLE ADJUST    | 1   |                                |
| 8-16 | 46325006200 | SPRING, IDLE ADJUST   | 1   |                                |
| 8-17 | 47725007200 | SPRING, VALVE         | 1   |                                |
| 8-18 | 60325001200 | VALVE, NEEDLE         | 1   |                                |
| 8-19 | 47325001200 | HINGE, VALVE          | 1   |                                |
| 8-20 | 60525001200 | PIN, HINGE            | 1   |                                |
| 8-21 | 57825007200 | SCREEN, INLET         | 1   |                                |
| 8-22 | 53925008200 | SWIVEL                | 1   |                                |
| 8-23 | 48925008200 | RING, STOP            | 1   |                                |
| 8-24 | 54825012200 | SCREW, SET            | 5   |                                |
| 8-25 | 51425001200 | SCREW, SET            | 1   |                                |
| 8-26 | 54625001200 | SCREW, SET, HINGE PIN | 1   |                                |
| 8-27 | 46725003200 | SCREW, SHUTTER        | 1   |                                |



**Units from serial  
number S279071 to  
Z207350**

| ITEM | PART NUMBER | DESCRIPTION         | QTY | COMMENTS   |
|------|-------------|---------------------|-----|--|
| 9-0  | 4550160090  | CARBURETOR, ASS'Y   | 1   | S279071~ Includes gasket   |
| 9-1  | 51425100200 | SCREW, THROTTLE SET | 2   |  |
| 9-4  | 54425164200 | STAY, ADJUST, CABLE | 1   |  |
| 9-5  | 53925120200 | SWIVEL              | 1   |  |
| 9-7  | 48925100200 | RING, STOP          | 1   |  |
| 9-10 | 55025100200 | O-RING              | 1   |  |
| 9-11 | 599200AW37  | JET, MAIN #37.5     | 1   |  |
| 9-12 | ~ ~ ~       | GASKET, PUMP        | 1   | ~ Contained in Car Repair Kit<br>P/N 650.25124.900<br>(not available individually) |
| 9-13 | ~ ~ ~       | DIAPHRAGM, PUMP     | 1   |  |
| 9-16 | 57825007200 | SCREEN, INLET       | 1   |  |
| 9-17 | 5752515280  | BODY, PUMP          | 1   |  |
| 9-18 | ~ ~ ~       | GASKET, DIAPHRAGM   | 1   |  |
| 9-19 | ~ ~ ~       | DIAPHRAGM, METERING | 1   |  |
| 9-20 | 47625004200 | COVER, DIAPHRAGM    | 1   |  |
| 9-21 | 54825101200 | SCREW, SET          | 4   |  |
| 9-22 | 61425137200 | ADJUSTER, CABLE     | 1   |  |
| 9-23 | 99101060013 | NUT, 6              | 1   |  |
| 9-24 | 4310634C200 | GASKET, CLEANER     | 1   |  |
| 9-41 | 5492516520  | WASHER, THRUST      | 1   |  |

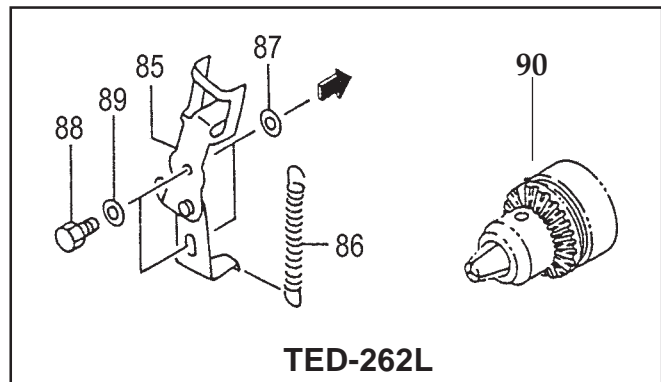
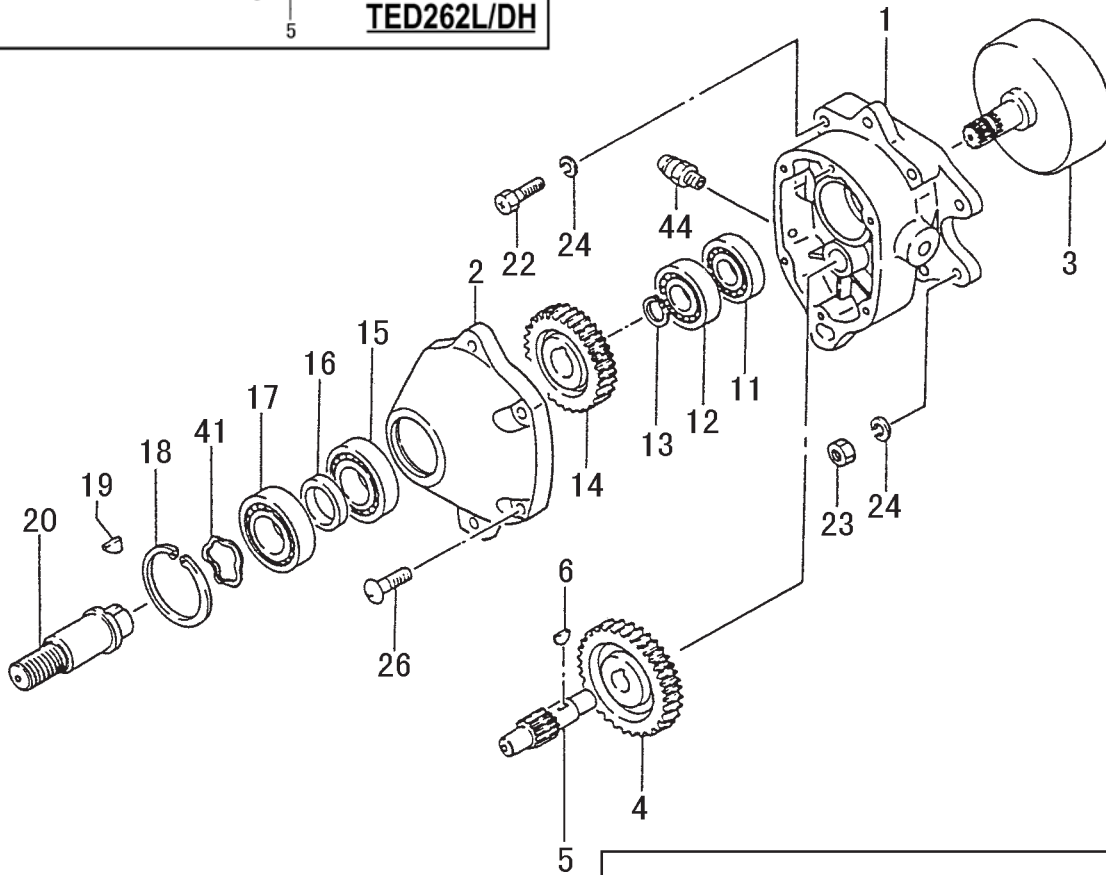
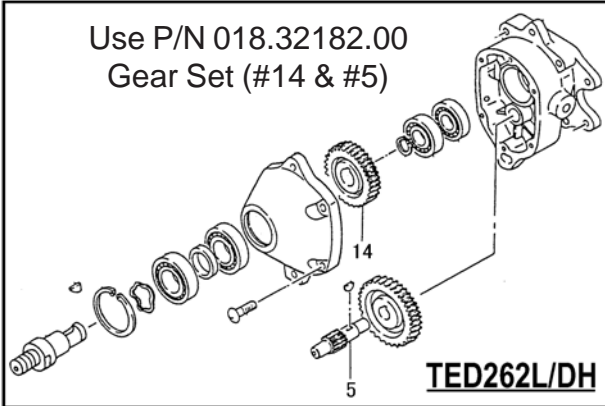
**Units after serial  
number Z207350**



| ITEM  | PART NUMBER | DESCRIPTION         | QTY | COMMENTS   |
|-------|-------------|---------------------|-----|--|
| 10-0  | 4550160290  | CARBURETOR SET      | 1   | Z207350~ Includes gasket   |
| 10-1  | 51425100200 | SCREW, THROTTLE SET | 2   |  |
| 10-4  | 54425164200 | STAY, ADJUST, CABLE | 1   |  |
| 10-5  | 53925120200 | SWIVEL              | 1   |  |
| 10-7  | 48925100200 | RING, STOP          | 1   |  |
| 10-10 | 55025100200 | O-RING              | 1   |  |
| 10-11 | 5992000W370 | JET, MAIN, #37      | 1   |  |
| 10-12 | ~ ~ ~       | GASKET, PUMP        | 1   | ~ Contained in Car Repair Kit<br>P/N 650.25124.900<br>(not available individually) |
| 10-13 | ~ ~ ~       | DIAPHRAGM, PUMP     | 1   |  |
| 10-16 | 57825007200 | SCREEN, INLET       | 1   |  |
| 10-17 | 5752515380  | BODY, PUMP          | 1   |  |
| 10-18 | ~ ~ ~       | GASKET, DIAPHRAGM   | 1   |  |
| 10-20 | ~ ~ ~       | COVER, DIAPHRAGM    | 1   |  |
| 10-21 | 5482515120  | SCREW, SET          | 4   |  |
| 10-22 | 61425137200 | ADJUSTER, CABLE     | 1   |  |
| 10-23 | 99101060013 | NUT, 6              | 1   |  |
| 10-24 | 4310634C200 | GASKET, CLEANER     | 1   |  |
| 10-25 | 4422515180  | PUMP, PRIMING       | 1   |  |
| 10-26 | 44725108200 | BULB, PRIMING       | 1   |  |
| 10-41 | 5492516520  | WASHER, THRUST      | 1   |  |

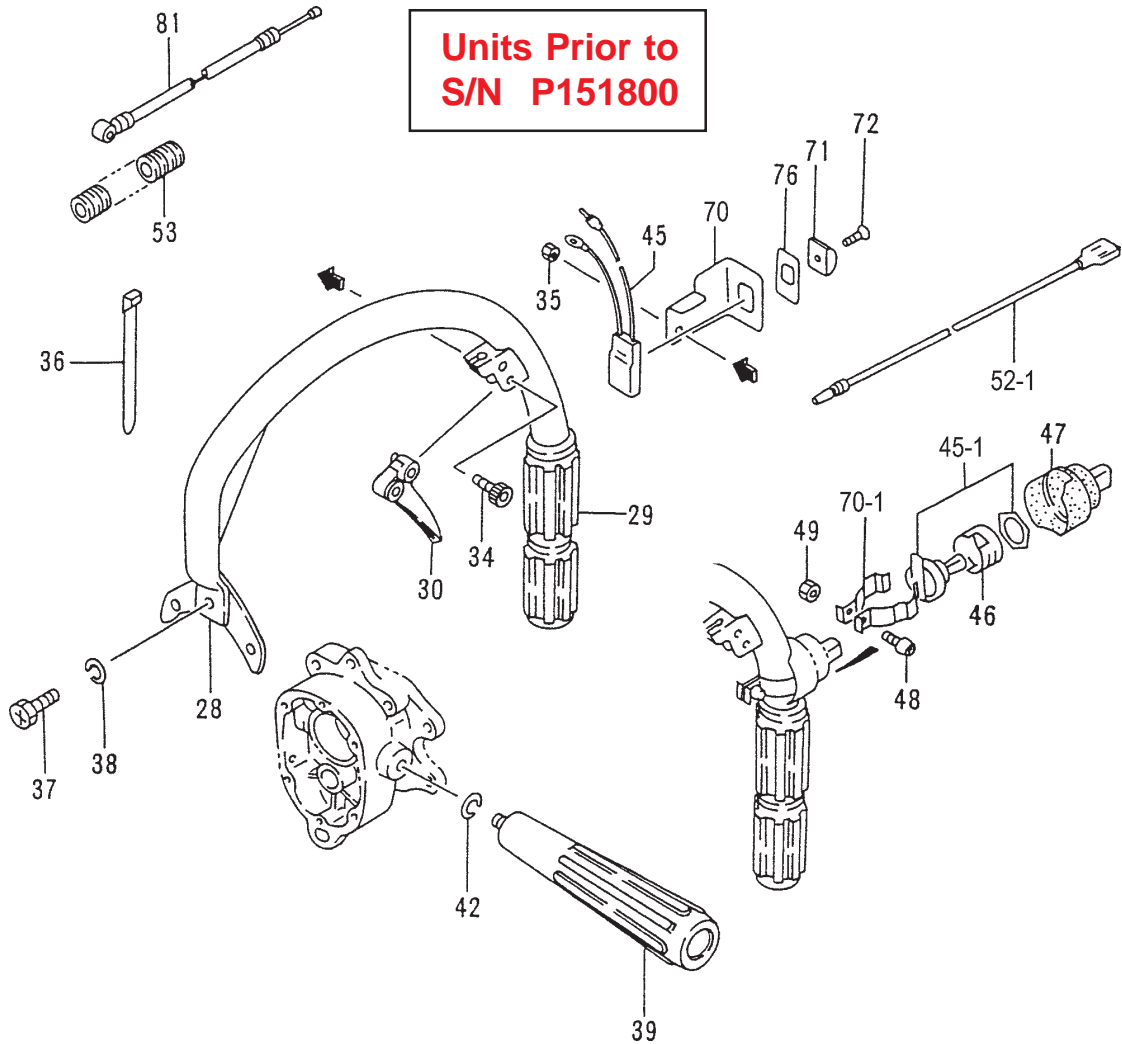
### Units after S/N C085101

Use P/N 018.32182.00  
Gear Set (#14 & #5)



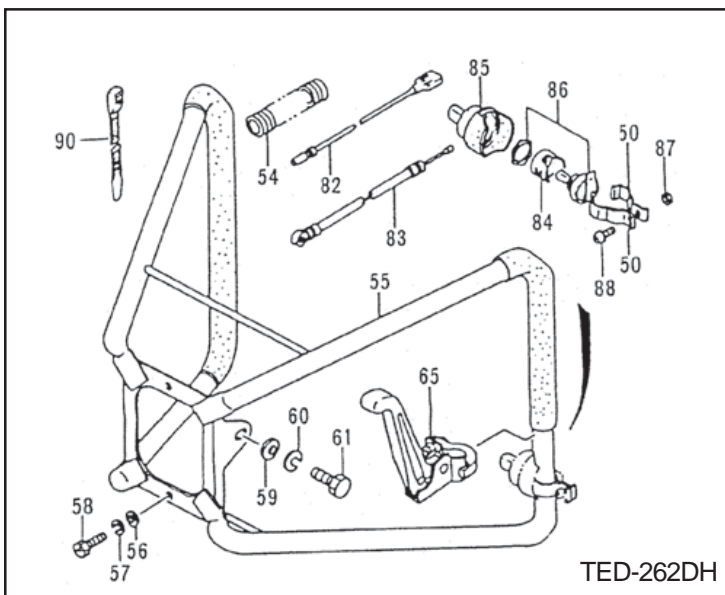


| ITEM  | PART NUMBER | DESCRIPTION           | QTY | COMMENTS                        |
|-------|-------------|-----------------------|-----|---------------------------------|
| 11-0  | 0183218200  | GEAR SET              | 1   | C085101~                        |
| 11-1  | 0023218280  | CASE,GEAR A           | 1   |                                 |
| 11-2  | 0063210A80  | CASE,GEAR,B           | 1   |                                 |
| 11-3  | 2263212080  | HOUSING,CLUTCH        | 1   |                                 |
| 11-4  | 01232120200 | GEAR,#2               | 1   |                                 |
| 11-5  | 01632120201 | GEAR,#3               | 1   | NLA - Use 018.32182.00 Gear Set |
| 11-5  | 0163212021  | GEAR,#3               | 1   | After S/N C085101~              |
| 11-6  | 06800300200 | KEY,WOODRUFF,3X10X3.7 | 1   |                                 |
| 11-11 | 99961600102 | BEARING,BALL,#6001Z   | 1   |                                 |
| 11-12 | 99961600115 | BEARING,BALL,6001 C3  | 1   |                                 |
| 11-13 | 99350012002 | RING,STOP,C-12 EX     | 1   |                                 |
| 11-14 | 01832120200 | GEAR,4                | 1   | NLA - Use 018.32182.00 Gear Set |
| 11-14 | 0183219220  | GEAR,4                | 1   | After S/N C085101~              |
| 11-15 | 99961720221 | BEARING,BALL,#7202B   | 1   |                                 |
| 11-16 | 04032120201 | WASHER,BEARING        | 1   |                                 |
| 11-17 | 99961620202 | BEARING,BALL,#6202Z   | 1   |                                 |
| 11-18 | 99351035002 | RING,IN,C-35,STOP     | 1   |                                 |
| 11-19 | 06801006200 | KEY,WOODRUFF,3X13X5   | 1   |                                 |
| 11-20 | 02232120201 | SHAFT,DRIVE           | 1   |                                 |
| 11-22 | 99023060301 | BOLT,P,6X30           | 2   |                                 |
| 11-23 | 99101060011 | NUT,6                 | 2   |                                 |
| 11-24 | 99210060012 | WASHER,S,6            | 4   |                                 |
| 11-26 | 99414050181 | SCREW,S,5X18          | 4   |                                 |
| 11-41 | 99209350030 | WASHER,WAVE,B.B,35    | 1   |                                 |
| 11-43 | 23132175200 | COLLAR,GEAR SHAFT B   | 1   |                                 |
| 11-44 | 30032250801 | FITTING,GREASE        | 1   |                                 |
| 11-74 | 99350013002 | RING,STOP             | 1   |                                 |
| 11-76 | 0223218320  | SHAFT,GEAR            | 1   |                                 |
| 11-85 | 4053218281  | LEVER,LOCK            | 1   |                                 |
| 11-86 | 4063218220  | SPRING,LOCK,LEVER     | 1   |                                 |
| 11-87 | 1820170020  | WASHER,SPECIAL        | 2   |                                 |
| 11-88 | 79310200202 | BOLT,STEP             | 2   |                                 |
| 11-89 | 99201070011 | WASHER,7              | 2   |                                 |
| 11-90 | 06032120911 | CHUCK,1/2"            | 1   |                                 |

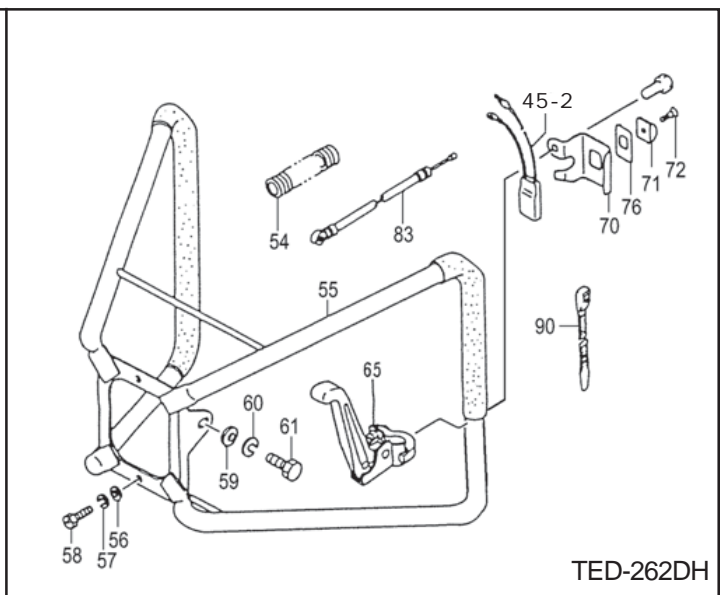


**Units before S/N Z248300**

**Units after S/N Z248301**

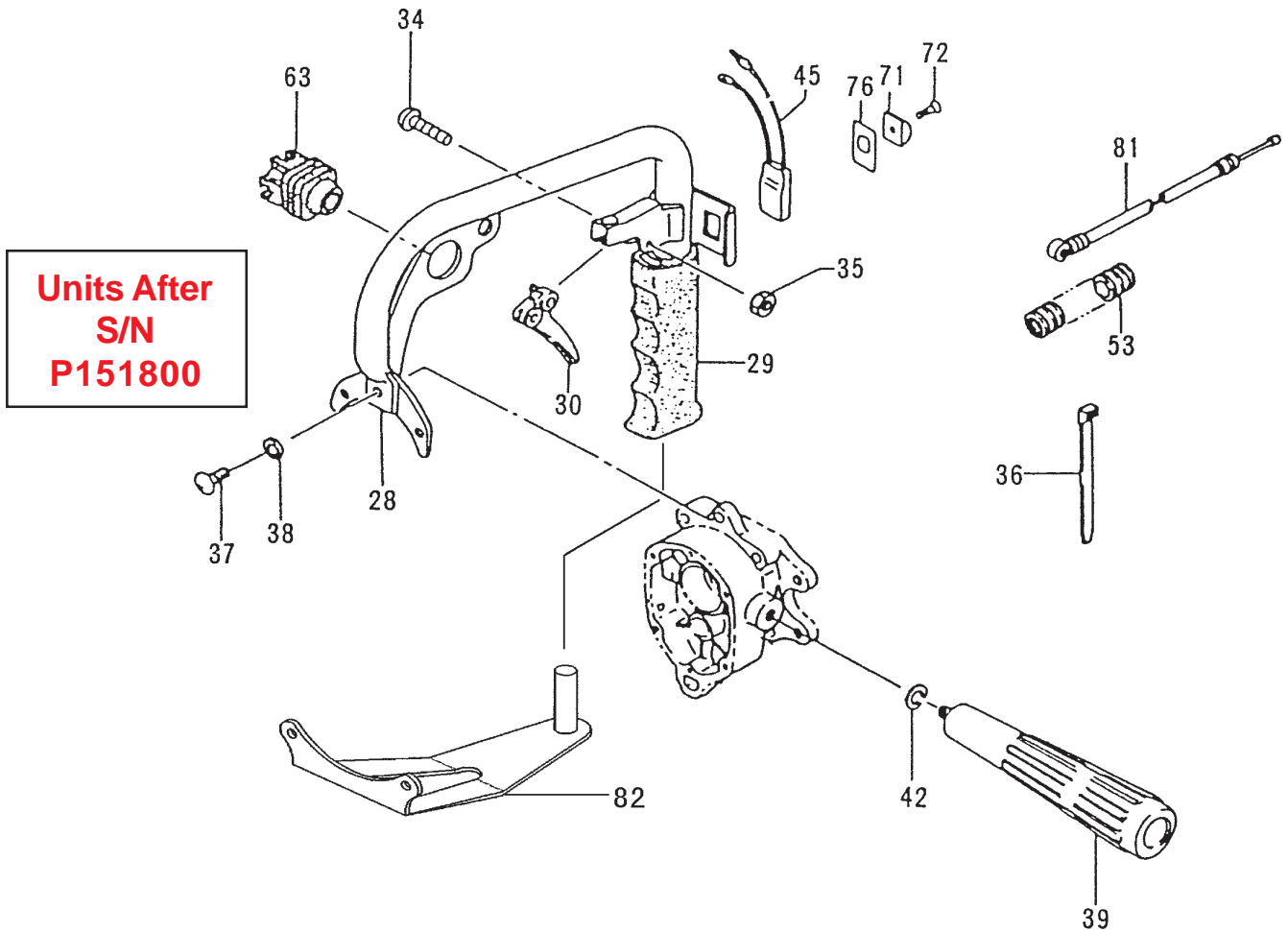


TED-262DH

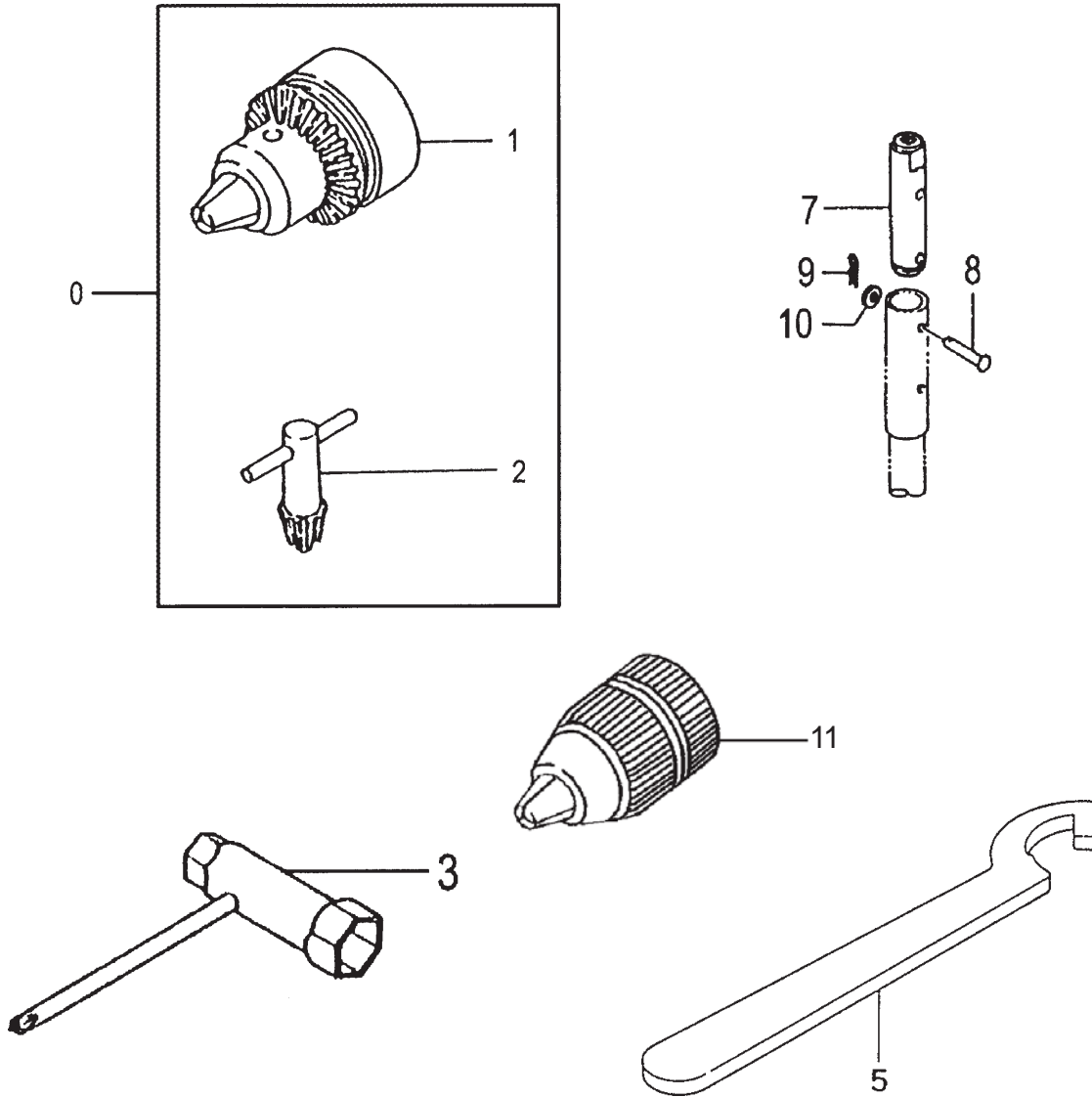


TED-262DH

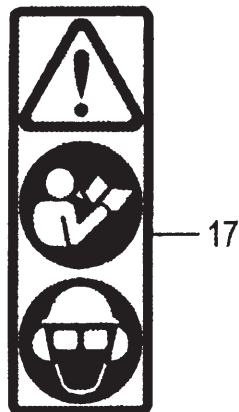
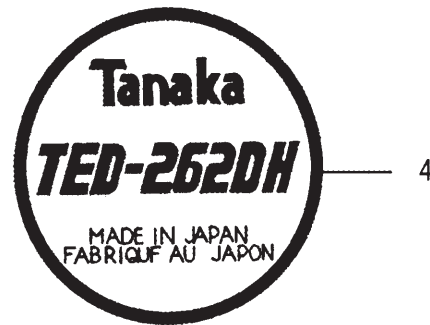
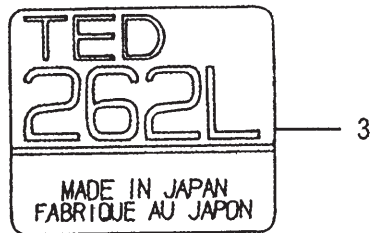
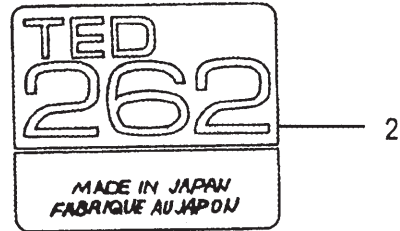
| ITEM    | PART NUMBER | DESCRIPTION            | QTY | COMMENTS                |
|---------|-------------|------------------------|-----|-------------------------|
| 12-28   | 2583217081  | HANDLE,A               | 1   |                         |
| 12-29   | 05532130200 | GRIP,HANDLE            | 1   |                         |
| 12-30   | 10132120201 | LEVER,THROTTLE         | 1   |                         |
| 12-34   | 99011050221 | SCREW,5X22             | 1   | ~N204150                |
| 12-34   | 99051050253 | BOLT,HEX,5X25          | 1   | N204151~                |
| 12-35   | 99101050011 | NUT,5                  | 2   | ~N204150                |
| 12-35   | 99178050010 | NUT,LOCK 5             | 1   | N204151~                |
| 12-36   | 19833130200 | CLAMP,CORD             | 1   |                         |
| 12-37   | 99023060161 | BOLT,6X16 PLUS         | 1   |                         |
| 12-38   | 99210060012 | WASHER,S,6             | 1   |                         |
| 12-39   | 25932120810 | HANDLE,B               | 1   |                         |
| 12-42   | 99210100012 | WASHER,S,10            | 1   |                         |
| 12-45-2 | 1703217680  | SWITCH,STOP            | 1   | ~Z248301                |
| 12-45-1 | 16201300900 | SWITCH,STOP            | 1   | From N204150 to Z248300 |
| 12-45   | 1703218480  | SWITCH,STOP            | 1   | N204151~                |
| 12-46   | 64033210202 | METAL,HOLDING          | 1   | ~N204150                |
| 12-47   | 26833210210 | COVER                  | 1   | ~N204150                |
| 12-48   | 99414040161 | SCREW,S,4X16           | 1   | ~N204150                |
| 12-49   | 99101040011 | NUT,4                  | 1   | ~N204150                |
| 12-50   | 11533210202 | BRACKET                | 2   |                         |
| 12-52-1 | 1780162S800 | CORD,STOP              | 1   | ~N204150                |
| 12-53   | 1641003200  | TUBE,PROTECTION,10X320 | 1   |                         |
| 12-54   | 1641003201  | TUBE,PROTECTION,10X321 | 1   |                         |
| 12-55   | 0473217581  | HANDLE                 | 1   | N157001~                |
| 12-56   | 99201060011 | WASHER,6               | 2   |                         |
| 12-57   | 99210060012 | WASHER,S,6             | 2   |                         |
| 12-58   | 99023060121 | BOLT,PLUS,6X12         | 2   |                         |
| 12-59   | 99201100011 | WASHER,10              | 2   |                         |
| 12-60   | 99210100012 | WASHER,S,10            | 2   |                         |
| 12-61   | 99021100201 | BOLT,10X20             | 2   |                         |
| 12-65   | 1013217590  | LEVER,THROTTLE ASS'Y   | 1   |                         |
| 12-70   | 6403246521  | BRACKET,STOP BUTTON    | 1   | Z248301~                |
| 12-70-1 | 2723218420  | BRACKET                | 1   | From N204151 to Z248300 |
| 12-70   | 11532170200 | BRACKET                | 1   | ~N204150                |
| 12-71   | 2581165020  | BUTTON,STOP            | 1   | N204151~                |
| 12-72   | 99011030101 | SCREW,3X10             | 1   | N204151~                |
| 12-76   | 9253317620  | DECAL,STOP BUTTON      | 1   | N204151~                |
| 12-81   | 8850162S800 | WIRE,THROTTLE          | 1   |                         |
| 12-82   | 1780162T80  | CORD,STOP              | 1   | ~N157000                |
| 12-82   | 1790162T80  | CORD,STOP              | 1   | N157001~                |
| 12-83   | 8850163N80  | WIRE,THROTTLE          | 1   | Z248301~                |
| 12-83   | 8850162T81  | WIRE,THROTTLE          | 1   | From N204151 to Z248300 |
| 12-83   | 8850162U80  | WIRE,THROTTLE          | 1   | ~N204150                |
| 12-84   | 64033210202 | METAL,HOLDING          | 1   |                         |
| 12-85   | 26833210210 | COVER                  | 1   |                         |
| 12-86   | 1703217680  | SWITCH,STOP            | 1   | Z248301~                |
| 12-86   | 1703217580  | SWITCH,STOP            | 1   | ~Z248300                |
| 12-87   | 99101040011 | NUT,4                  | 1   |                         |
| 12-88   | 99414040161 | SCREW,S,4X16           | 1   |                         |
| 12-90   | 19833130200 | CLAMP,CORD             | 1   |                         |



| ITEM  | PART NUMBER | DESCRIPTION            | QTY | COMMENTS |
|-------|-------------|------------------------|-----|----------|
| 13-28 | 2583210A82  | HANDLE,A               | 1   |          |
| 13-29 | 1653313020  | HANDLE,GRIP,A          | 1   |          |
| 13-30 | 10132120201 | LEVER,THROTTLE         | 1   |          |
| 13-34 | 99011050251 | SCREW,5X25             | 1   |          |
| 13-35 | 99101050011 | NUT,5                  | 1   |          |
| 13-36 | 19833130200 | CLAMP,CORD             | 2   |          |
| 13-37 | 99023060161 | BOLT,6X16 PLUS         | 1   |          |
| 13-38 | 99210060012 | WASHER,S,6             | 1   |          |
| 13-39 | 25932120810 | HANDLE,B               | 1   |          |
| 13-42 | 99210100012 | WASHER,S,10            | 1   |          |
| 13-45 | 1703217580  | SWITCH,STOP            | 1   | ~S279070 |
| 13-45 | 1703219080  | BUTTON,STOP            | 1   | S279071~ |
| 13-53 | 1641003200  | TUBE,PROTECTION,10X320 | 1   |          |
| 13-63 | 1553210A200 | HOLDER,CHUCK KEY       | 1   |          |
| 13-71 | 2581165020  | BUTTON,STOP            | 1   |          |
| 13-72 | 99011030101 | SCREW,3X10             | 1   |          |
| 13-76 | 9253317620  | DECAL,STOP BUTTON      | 1   |          |
| 13-81 | 8850162V800 | WIRE,THROTTLE          | 1   | ~S279070 |
| 13-81 | 8850160180  | WIRE,THROTTLE          | 1   | S279071~ |
| 13-82 | 2653218280  | HANDLE,BRACE           | 1   | R197189~ |



| ITEM  | PART NUMBER | DESCRIPTION           | QTY | COMMENTS |
|-------|-------------|-----------------------|-----|----------|
| 14-0  | 05932120911 | CHUCK & KEY SET 1/2"  | 1   |          |
| 14-1  | 06032120911 | CHUCK, 1/2"           | 1   |          |
| 14-2  | 06132120811 | CHUCK KEY 1/2"        | 1   |          |
| 14-3  | 8292000080  | SPANNER, COMBI, 13X19 | 1   |          |
| 14-5  | 84520000200 | SPANNER, DRILL CHUCK  | 1   |          |
| 14-7  | 29728       | ADAPTER               | 1   | OPTIONAL |
| 14-8  | EBF-PIN     | PIN, 8X60mm           | 2   | OPTIONAL |
| 14-9  | ASP-100     | PIN, SNAP, EBF/IBH    | 2   | OPTIONAL |
| 14-10 | 99201080011 | WASHER, 8             | 2   | OPTIONAL |
| 14-11 | 27218       | KEYLESS CHUCK 1/2"    | 1   | OPTIONAL |



| ITEM  | PART NUMBER | DESCRIPTION       | QTY | COMMENTS |
|-------|-------------|-------------------|-----|----------|
| 15-1  | 95037900200 | DECAL,PRO-FORCE A | 1   |          |
| 15-2  | 90632173200 | DECAL             | 1   |          |
| 15-3  | 9060163V20  | DECAL             | 1   |          |
| 15-4  | 9060162T20  | DECAL             | 1   |          |
| 15-17 | 9203246620  | DECAL,CAUTION     | 1   | R007765~ |