

Tanaka Illustrated Parts Manual

Model Number:

TEA-500

TWO MAN EARTH AUGER

P/N 40619

Rev 000

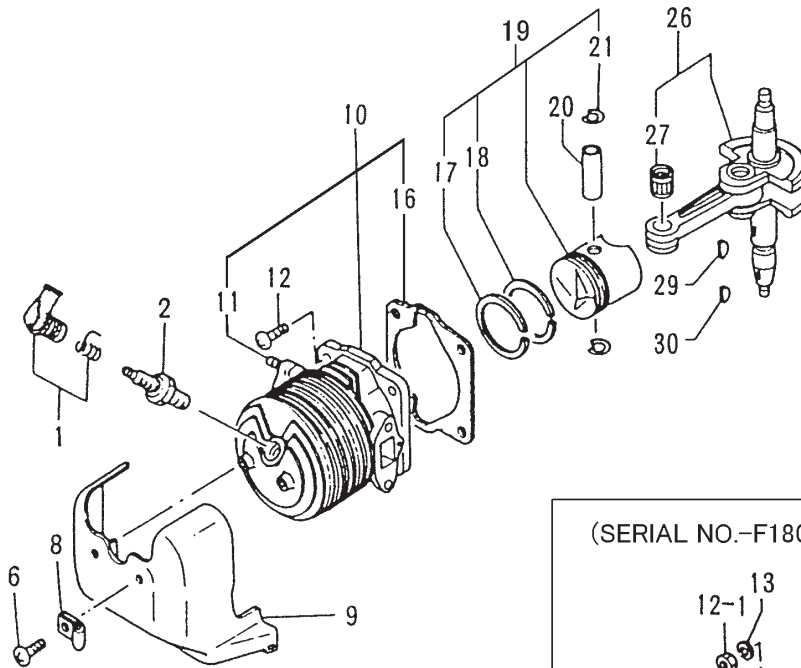
Date 5-4-07



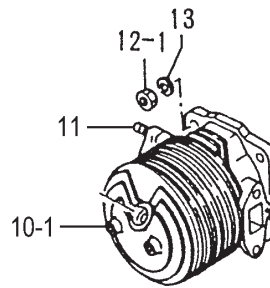
Nikko Tanaka Engineering U.S.A.,Ltd. • 1028 4th Street SW, Bldg B • Auburn, WA 98001 • Phone: (253) 333-1200 • Fax: (253) 333-1212

CYLINDER, PISTON AND CRANKSHAFT • FIGURE 1

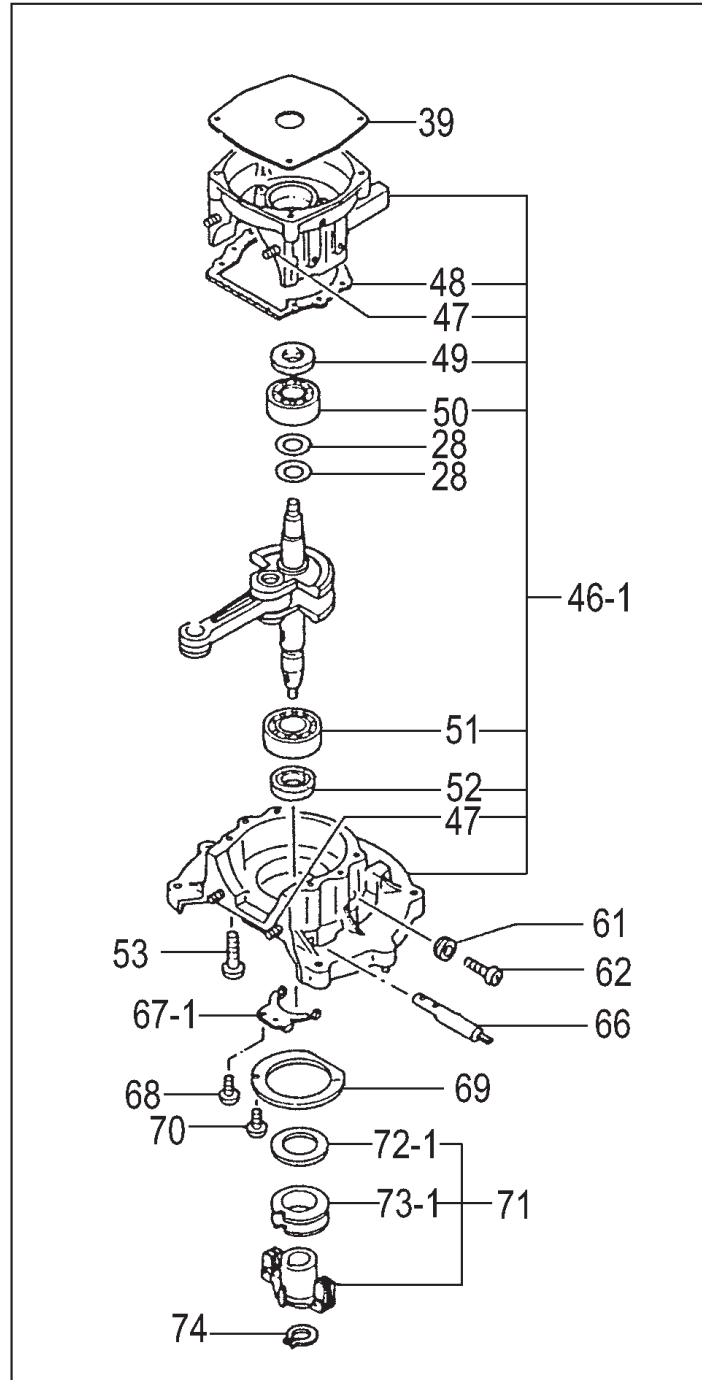
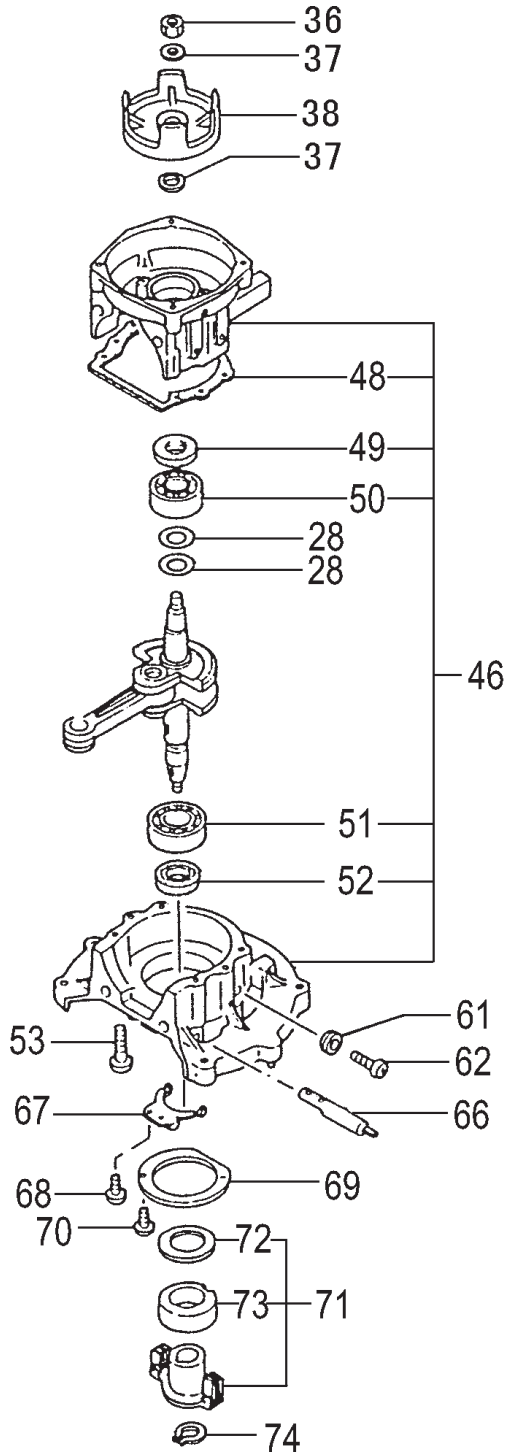
(SERIAL NO.F180280-)



(SERIAL NO.-F180279)

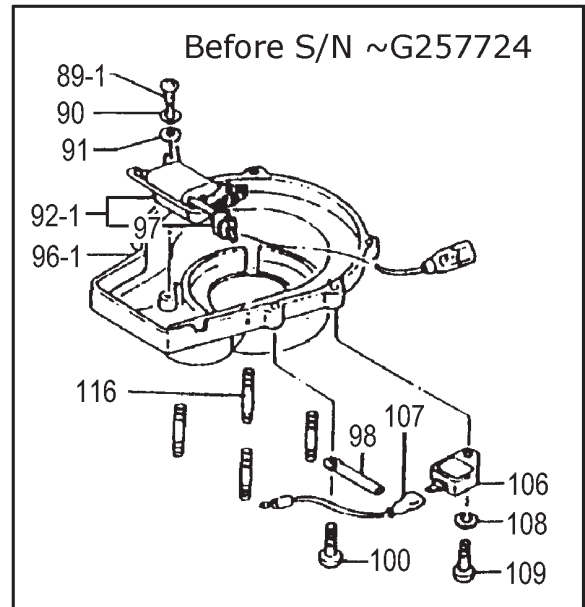
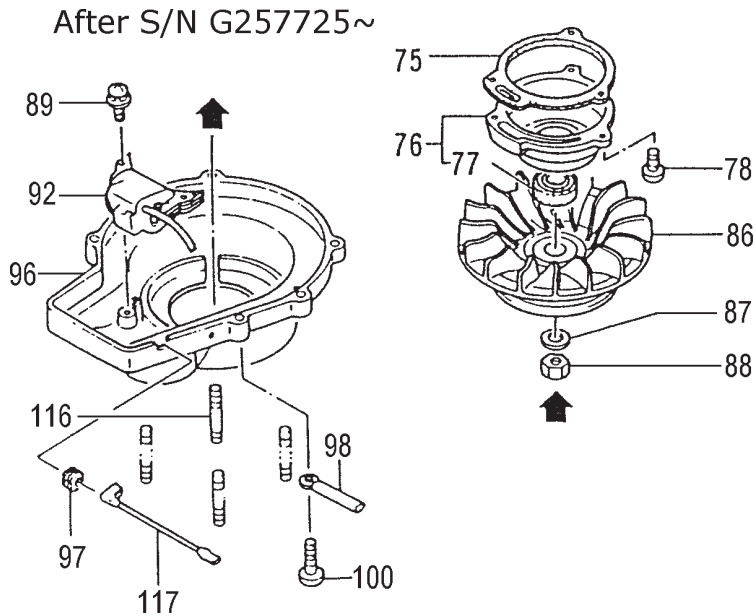


ITEM	PART NUMBER	DESCRIPTION	QTY	COMMENTS
1-1	15711666900	CAP,SPARK PLUG	1	
1-2	01801805200	PLUG,SPARK	1	
1-6	99413050101	SCREW,5X10/P	4	
1-8	19811109200	CLAMP,CORD	1	
1-9	01610244200	COVER,CYLINDER	1	
1-10-1	0021024480	CYLINDER	1	~C160000
1-10	0011026790	CYLINDER SET	1	C160001~
1-11	10002100200	BOLT,STUD,6X22	2	
1-12-1	99101060011	NUT,6	4	~F180279
1-12	99461060184	BOLT,HEX,6x18S	4	F180280~
1-13	99210060012	WASHER,S,6	4	~F180279
1-16	0171020021	GASKET,CYLINDER	1	
1-17	04010100200	RING,PISTON, TOP	1	
1-18	04110100201	RING,PISTON	1	
1-19	0301026290	PISTON SET	1	
1-20	03710100200	PIN,PISTON,10X35	1	
1-21	03902000201	CIRCLIP,PISTON PIN	2	
1-26	04610244800	CRANKSHAFT	1	~F180279
1-26	04610244810	CRANKSHAFT	1	F180280~
1-27	99962101004	BEARING,NEEDLE,F1010B	1	
1-29	06810100200	KEY,WOODRUFF,3X13X4.5	1	
1-30	06802000200	KEY,WOODRUFF,3X13X5	1	

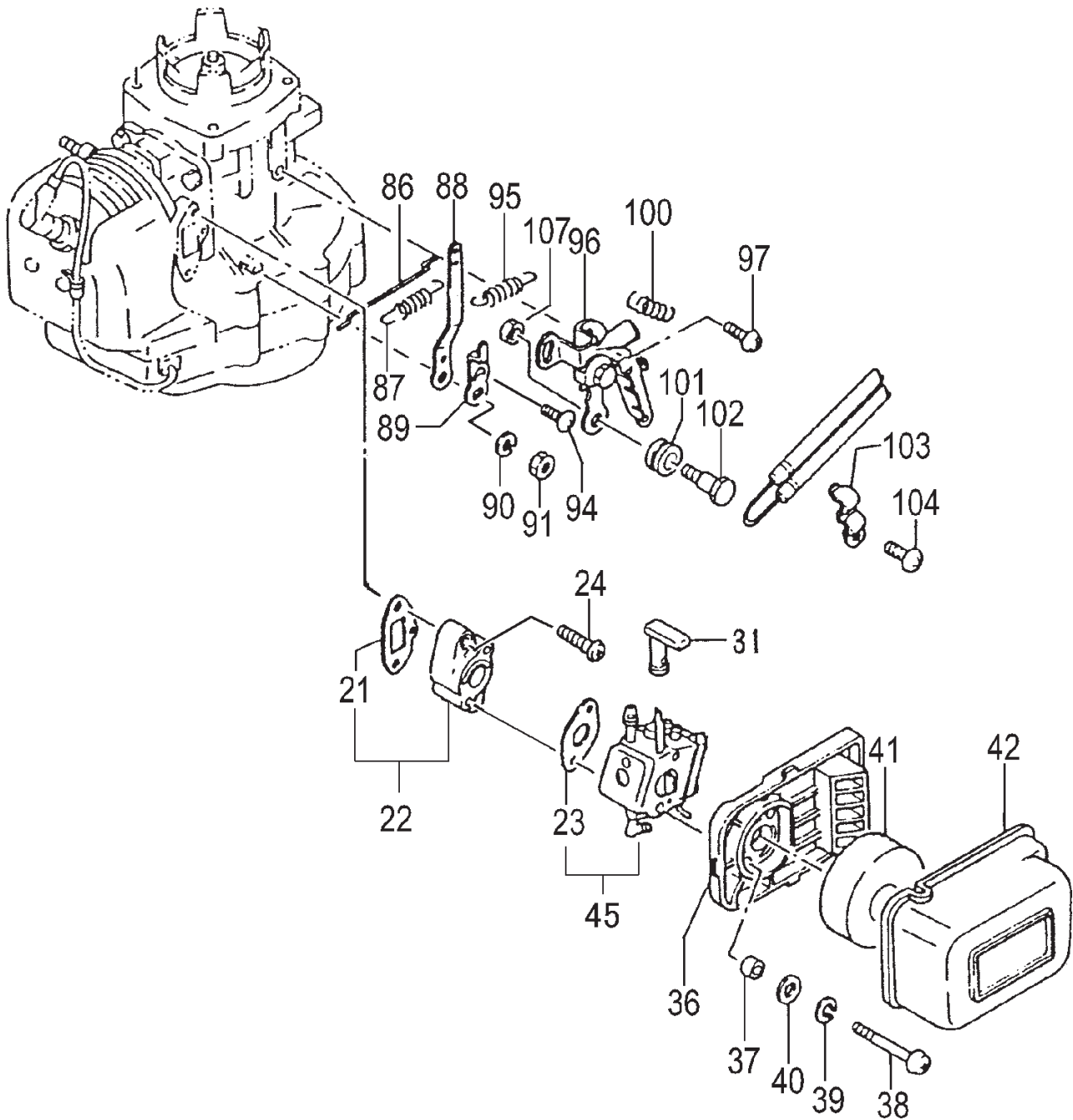


CRANKCASE, GOVERNOR & STARTER PULLEY • FIGURE 2

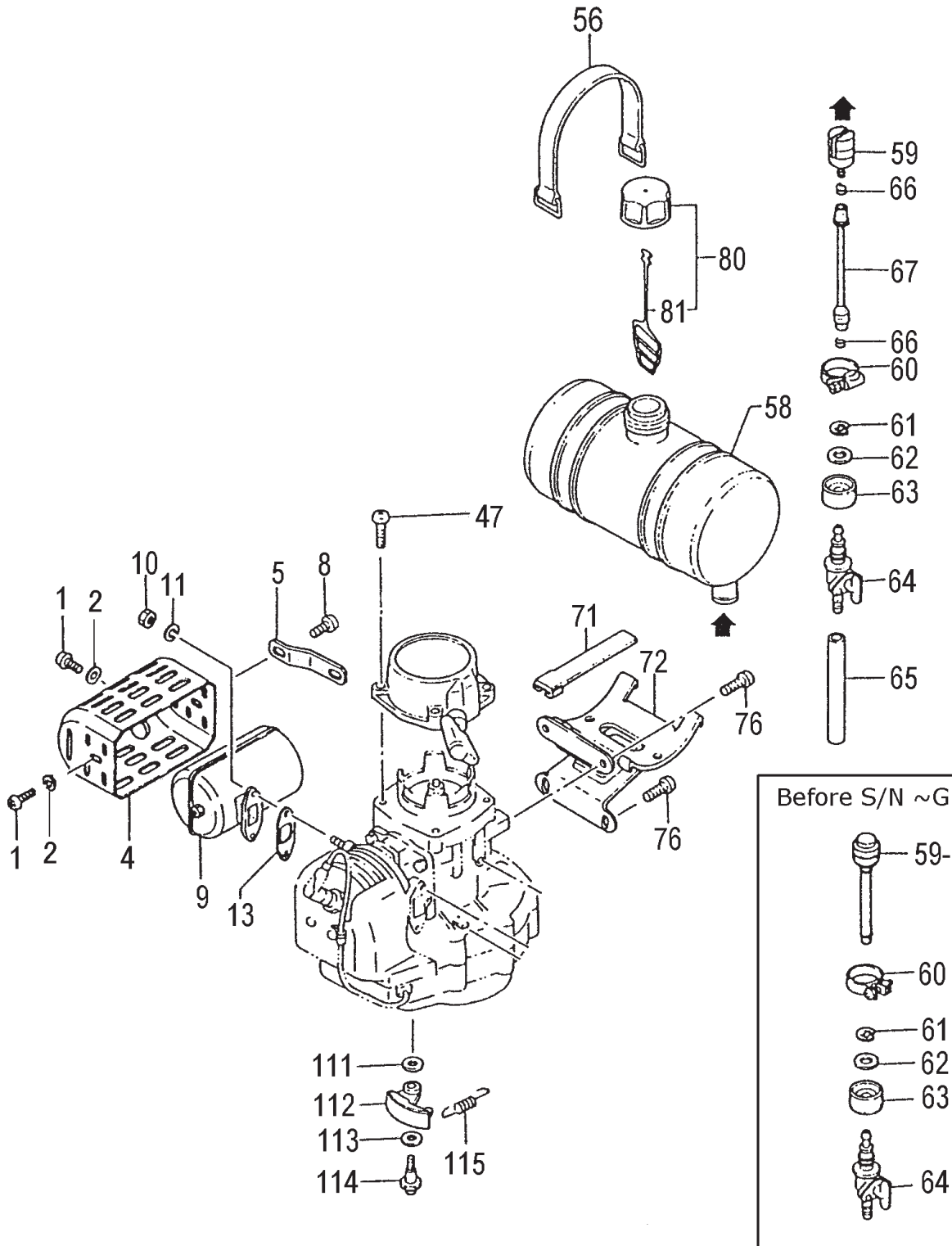
ITEM	PART NUMBER	DESCRIPTION	QTY	COMMENTS
2-28	07102007210	SHIM,15.2X20X.10	1	
2-28	07102007220	SHIM,15.2X20X.15	1	
2-28	07111600230	SHIM,16X21X.20	1	
2-28	07111600240	SHIM,16X21X.30	1	
2-36	99111100013	NUT,10	1	
2-37	80110205202	WASHER,PULLEY	2	~P230330
2-37	80110205202	WASHER,PULLEY	1	P230331~
2-38	79810205200	PULLEY,STARTER	1	
2-39	81010200200	GASKET,RECOIL STARTER	1	~F180279
2-46	0721024391	CRANKCASE,ASS'Y	1	Includes bearings, seals & gasket
2-47	10002000200	BOLT,STUD 6X24	4	~F180279
2-48	0901020021	GASKET,CRANKCASE	1	
2-49	99966153000	SEAL,OIL,#15307	1	
2-50	99961620200	BEARING,BALL,#6202	1	
2-51	99961620300	BEARING,BALL,#6203	1	
2-52	99966173066	OIL SEAL,UE17307	1	
2-53	99461060304	BOLT,HEX,6x30/S	1	
2-61	72701040201	GASKET,DRAIN	1	
2-62	99011060102	SCREW,6X10	1	
2-66	36910250203	SHAFT,GOVERNOR	1	
2-67	36710250210	FORK,GOVERNOR SHAFT	1	
2-68	99011030061	SCREW,3X6	2	
2-69	32910250201	PARTITION,OIL	1	
2-70	99011040081	SCREW,4X8	2	
2-71	11410250000	GOVERNOR,ASS'Y	1	
2-72	38810250210	PLATE,GOVERNOR	1	
2-73-1	38910250202	SLEEVE,GOVERNOR	1	~L031550
2-73	38910250210	SLEEVE,GOVERNOR	1	L031551~
2-74	99350015002	RING,STOP,C-15 EX	1	



ITEM	PART NUMBER	DESCRIPTION	QTY	COMMENTS
3-75	38510250202	GASKET,GOVERNOR COVER	1	
3-76	38410243900	COVER,GOVERNOR ASS'Y	1	
3-77	99966152564	SEAL,OIL,UD15257	1	
3-78	99011040101	SCREW,4X10	3	
3-86	15521715801	ROTOR,MAGNETO	1	
3-87	99201100011	WASHER,10	1	
3-88	99109100001	NUT,10 L.H.	1	
3-89-1	99011040181	SCREW,4X18	2	~G257724
3-89	99416040226	SCREW,WS,4X22	2	G257725~
3-90	99210040012	WASHER,S,4	2	~G257724
3-91	99200040011	WASHER,4	2	~G257724
3-92-1	16720751801	COIL,IGNITION	1	~G257724
3-92	16721954800	COIL,IGNITION	1	G257725~
3-96-1	11210244200	CASE,FAN	1	~G257724
3-96	11210244210	CASE,FAN	1	G257725~
3-97	20210200201	GROMMET,SECONDARY CORD	1	
3-98	19805015800	CLAMP,CORD	1	
3-100	99414060251	SCREW,6X25/S	4	
3-106	15921401872	IGNITOR,TTI-1F	1	~G257724
3-107	17301620800	CORD,PRIMARY	1	~G257724
3-108	99210040012	WASHER,S,4	1	~G257724
3-109	99011040081	SCREW,4X8	1	~G257724
3-116	10004001200	BOLT,STUD,6X36	4	
3-117	1780136M800	CORD,STOP	1	



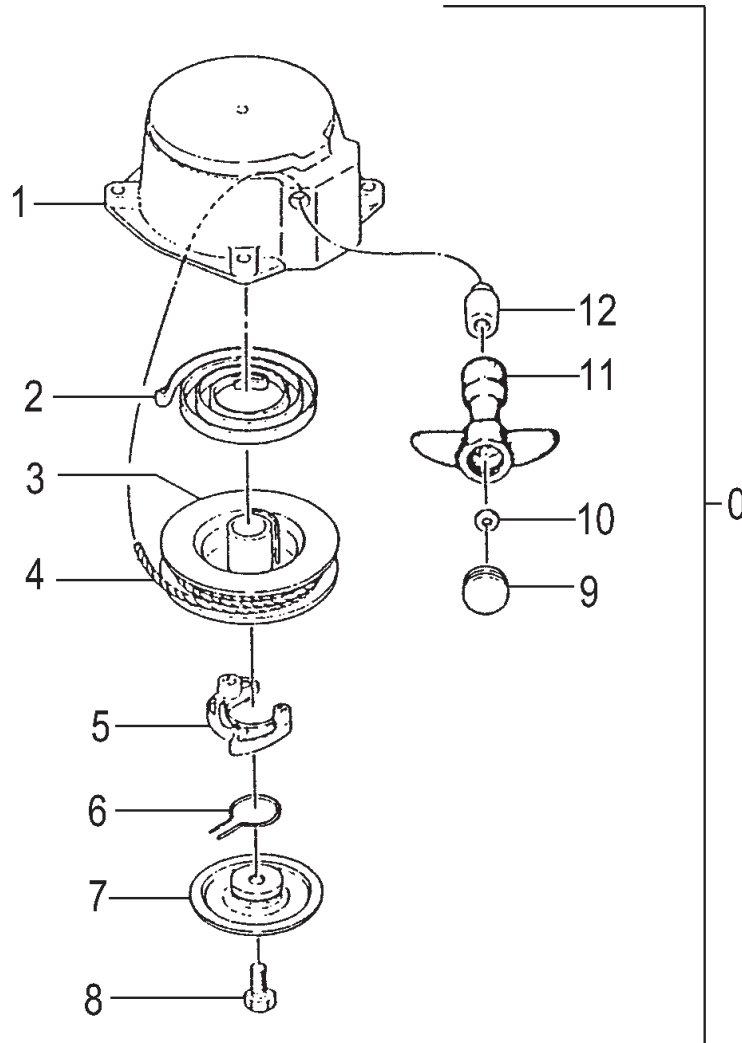
ITEM	PART NUMBER	DESCRIPTION	QTY	COMMENTS
4-21	40310244201	GASKET,INTAKE MANIFOLD	1	
4-22	4041026290	INSULATOR SET	1	
4-23	4020174020	GASKET,CARBURETOR	1	
4-24	99416050241	SCREW 5x24WS	2	
4-31	49504200200	LEVER,CHOKE	1	
4-36	4231024421	BODY,CLEANER	1	
4-37	65900801200	COLLAR	2	
4-38	99011050531	SCREW,5X53	2	~C160000
4-38	99414050551	SCREW,5x55S	2	C160001~
4-39	99210050012	WASHER,S,5	2	~C160000
4-40	99200050011	WASHER,SMALL,5	2	
4-41	44610244200	ELEMENT,CLEANER	1	
4-42	42310244000	SET,CLEANER	1	
4-45	4551025390	CARBURETOR SET	1	
4-86	49010244200	ROD,THROTTLE	1	
4-87	37612121200	SPRING,GOVERNOR ROD	1	
4-88	37710244200	LEVER,GOVERNOR OUTER	1	
4-89	37210250201	LEVER,GOVERNOR SPRING	1	
4-90	99210060012	WASHER,S,6	1	
4-91	99101060013	NUT,6	1	
4-94	99415040081	SCREW,4X8	1	
4-95	37410244200	SPRING,GOVERNOR	1	
4-96	83010244900	LEVER,CONTROL,ASS'Y	1	
4-97	99416050101	SCREW,WS,5X10	2	
4-100	90210244200	SPRING,WIRE RETURN	1	
4-101	89110244200	GUIDE,THROTTLE SHAFT	1	
4-102	35700601200	BOLT,STEP,CLUTCH	1	
4-103	90310244200	CLAMP,WIRE	1	
4-104	99416050101	SCREW,WS,5X10	1	
4-107	99174060010	NUT,6	1	



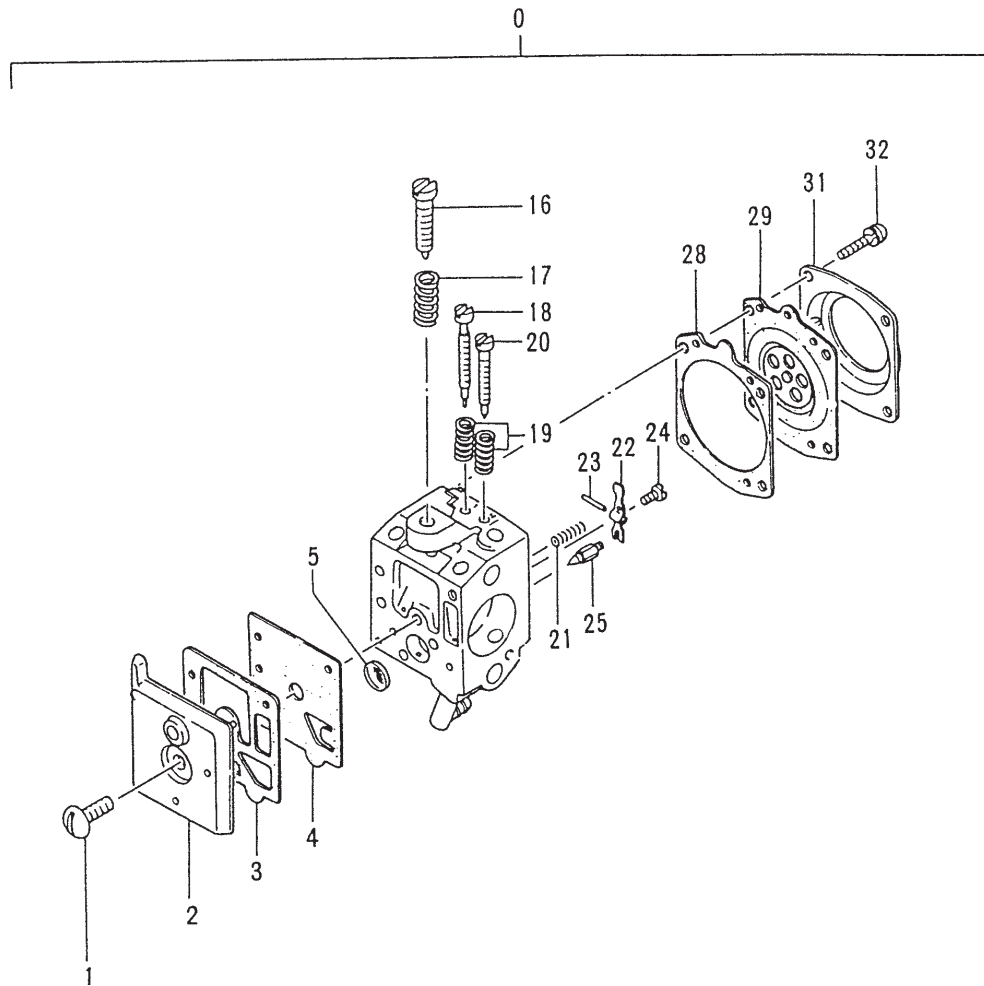
Before S/N ~G187120

- 59-1
- 60
- 61
- 62
- 63
- 64

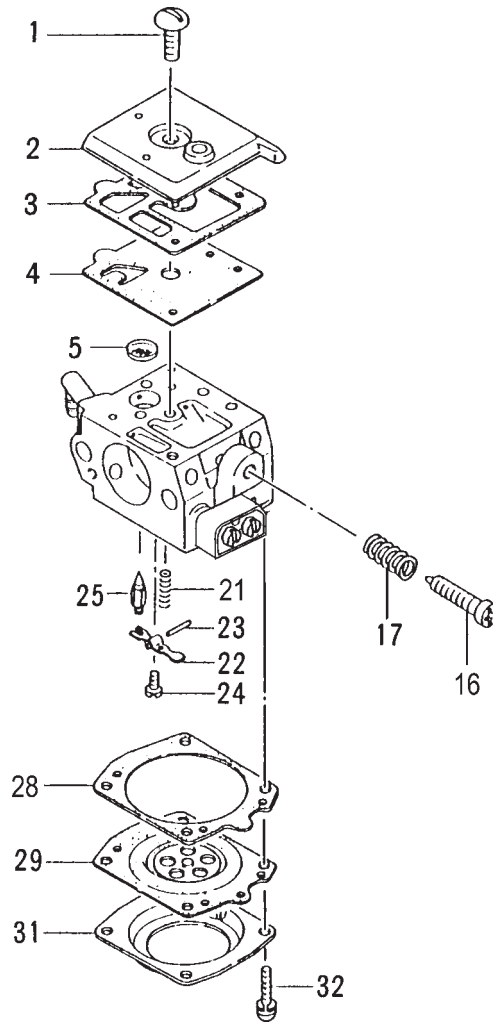
ITEM	PART NUMBER	DESCRIPTION	QTY	COMMENTS
5-1	99415060081	SCREW,6x8PS	2	~C160000
5-1	99414060081	SCREW,6X8/S	2	C160001~
5-2	99201060011	WASHER,6	2	C160001~
5-4	73810244200	PROTECTOR,MUFFLER	1	
5-5	73310244200	STAY,MUFFLER	1	
5-8	99415060121	SCREW,6X12	1	
5-9	70610244800	MUFFLER	1	
5-10	99101060011	NUT,6	2	
5-11	99210060012	WASHER,S,6	2	
5-13	7371024220	GASKET	1	
5-47	99415050221	SCREW,5x22WS	4	~F180279
5-47	99415050185	SCREW,5X18	4	F180280~
5-56	60302101803	BAND,TANK HOLDING	2	
5-58	59110244200	TANK	1	
5-59-1	59806020900	FUEL LINE & FILTER ASSY	1	~G187120
5-59	6750404280	FILTER,FUEL	1	G187121~
5-60	6800632S900	CLIP,ASS'Y	1	
5-61	99355060000	RING,STOP,E6	1	
5-62	99200080011	WASHER,8	1	
5-63	55806020200	RUBBER,PET-COCK HOLDING	1	
5-64	59206020901	PET-COCK,ASS'Y	1	
5-65	70003005230	PIPE,FUEL,3X5X230	1	
5-66	68004019210	CLIP,7	2	G187121~
5-67	67806020200	PIPE,RUBBER	1	G187121~
5-71	65510244200	CUSHION	2	
5-72	60710244800	METAL,TANK HOLDING	1	
5-76	99415060121	SCREW,6X12	4	
5-80	5950503690	CAP,TANK	1	
5-81	62632810200	CHAIN	1	
5-111	35910112203	WASHER,CLUTCH B	3	
5-112	29010112802	ARM,CLUTCH	3	
5-113	35810112201	WASHER,CLUTCH	3	
5-114	35710112204	BOLT,CLUTCH STEP	3	
5-115	34210205220	SPRING,CLUTCH	3	



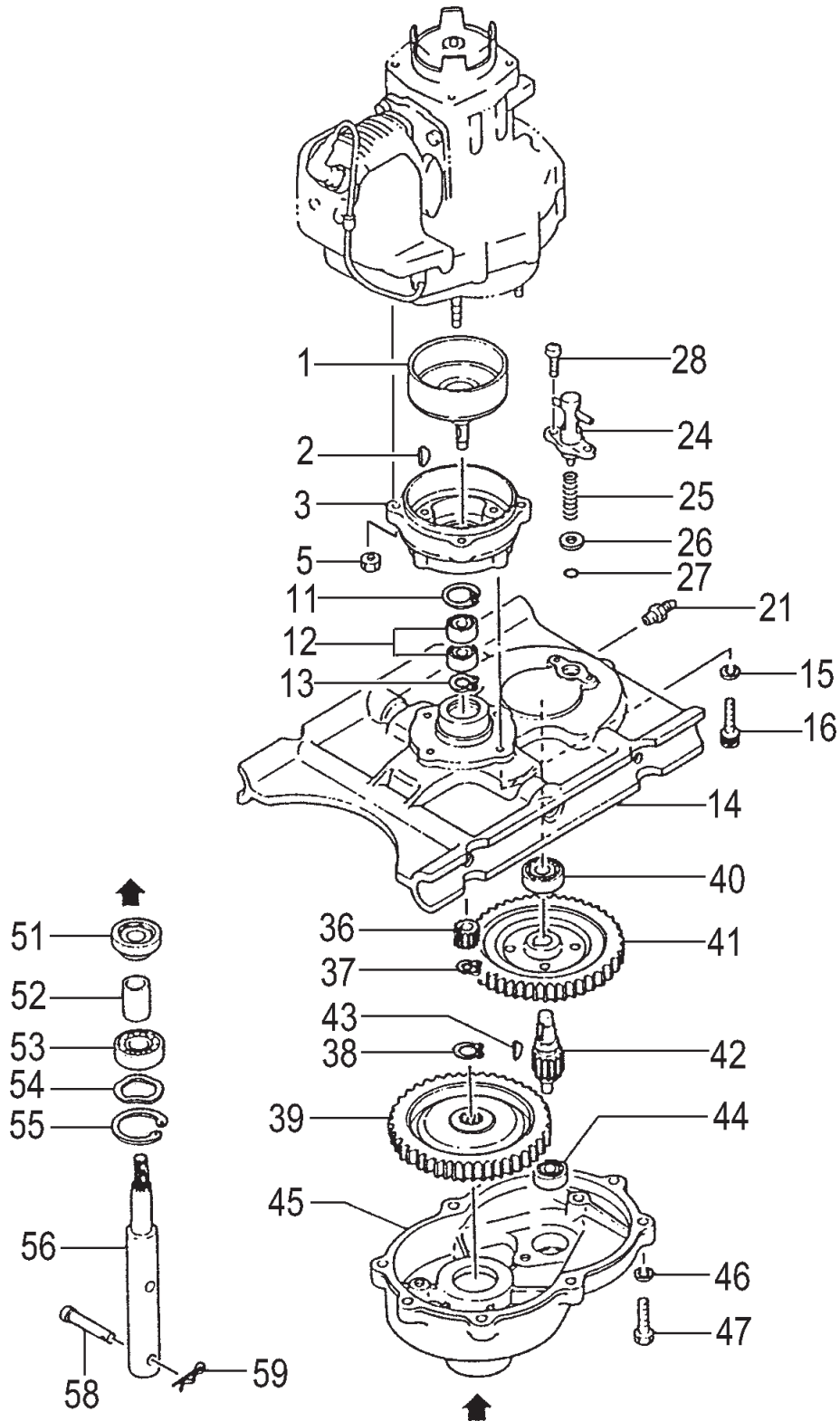
ITEM	PART NUMBER	DESCRIPTION	QTY	COMMENTS
6-0	76210205900	STARTER,RECOIL ASS'Y	1	~F180279
6-0	76210244900	STARTER,RECOIL ASS'Y	1	F180280~
6-1	77210205200	BODY,RECOIL STARTER	1	~F180279
6-1	77210244200	BODY,RECOIL STARTER	1	F180280~
6-2	77910205200	SPRING,RECOIL	1	
6-3	77410246800	PULLEY,STARTER	1	
6-4	78310205200	ROPE,STARTER	1	
6-5	78810205200	PAWL,STARTER	1	
6-6	83610205200	SPRING,FRICION	1	
6-7	83710205200	PLATE,FRICION	1	
6-8	99021060121	BOLT,6X12	1	
6-9	83510246200	CAP,STARTER HANDLE	1	
6-10	79510243200	STOPPER,ROPE	1	
6-11	78510118200	HANDLE,STARTER	1	
6-12	78010108200	GUIDE,ROPE	1	



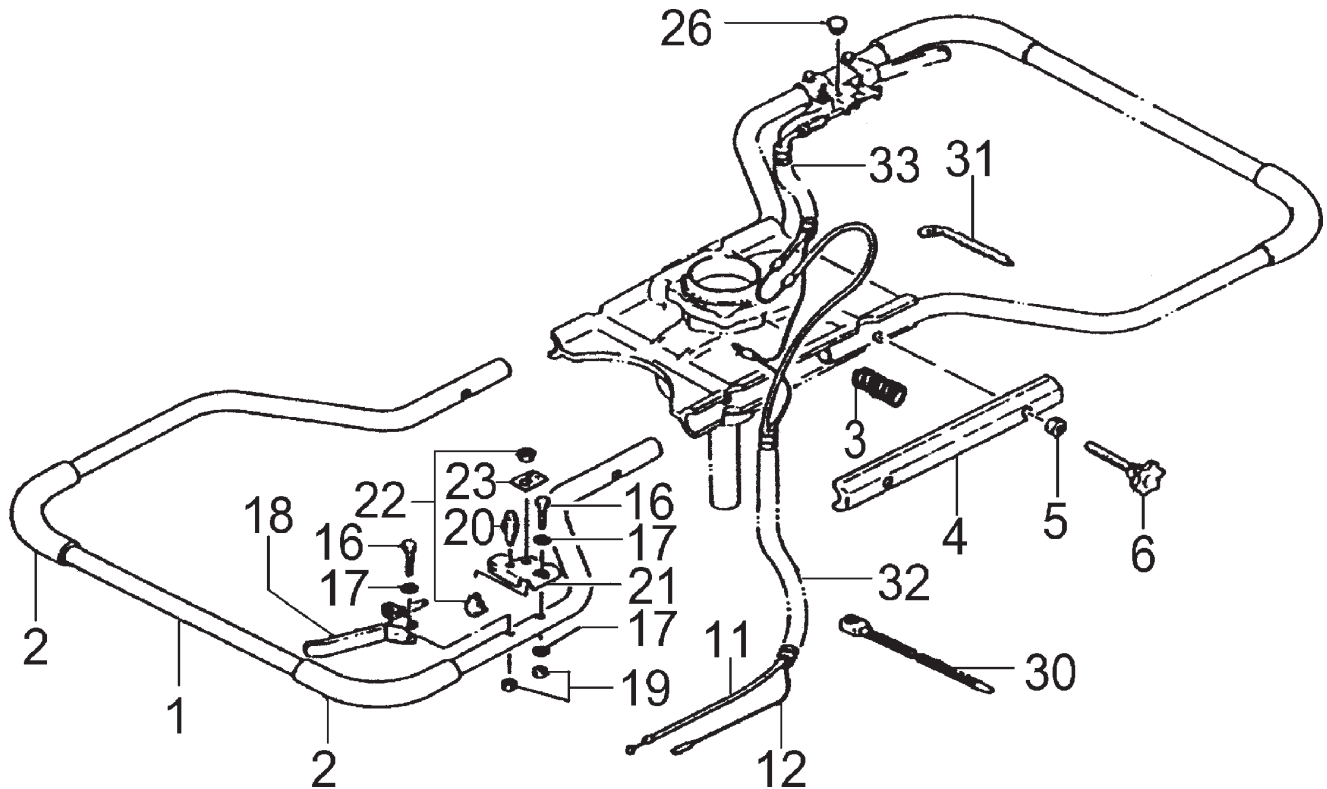
ITEM	PART NUMBER	DESCRIPTION	QTY	COMMENTS
7-0	45525031901	CARBURETOR,ASS'Y	1	Units before S/N ~C160001
7-1	51425001200	SCREW,SET	1	
7-2	57525012200	BODY,PUMP	1	
7-3	~ ~ ~	GASKET,PUMP	1	~ Included in 650.25012.90 Carb Kit
7-4	~ ~ ~	DIAPHRAGM,PUMP	1	(not available individually)
7-5	57825007200	SCREEN,INLET	1	
7-16	46225006200	SCREW,IDLE ADJUST	1	
7-17	46325012200	SPRING,IDLE ADJUST	1	
7-18	46125032200	SCREW,LOW ADJUST	1	
7-19	62325032200	SPRING,ADJUST,HI/LOW	2	
7-20	46025032200	SCREW,HIGH ADJUST	1	
7-21	47725003200	SPRING,VALVE	1	
7-22	47325012200	LEVER,CONTROL	1	
7-23	60525001200	PIN,HINGE	1	
7-24	54625001200	SCREW,SET,HINGE PIN	1	
7-25	6032501220	NEEDLE VALVE	1	
7-28	~ ~ ~	GASKET,DIAPHRAGM	1	
7-29	~ ~ ~	DIAPHRAGM,METERING	1	
7-31	47625012201	COVER,DIAPHRAGM	1	
7-32	54825012200	SCREW,SET	4	



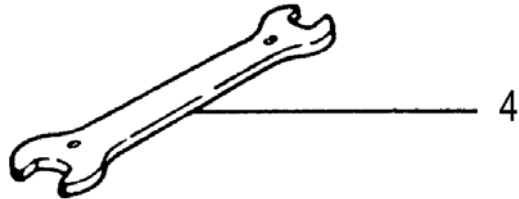
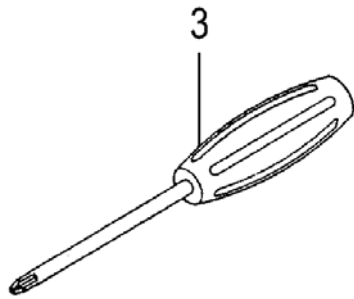
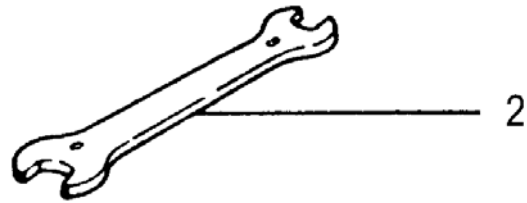
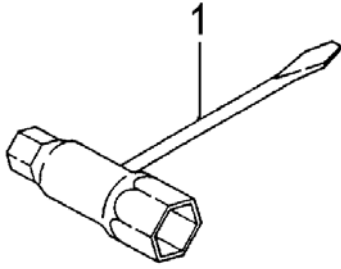
ITEM	PART NUMBER	DESCRIPTION	QTY	COMMENTS
8-0	4552503191	CARBURETOR	1	Units after serial number C160001~
8-1	51425001200	SCREW,SET	1	
8-2	57525012200	BODY,PUMP	1	
8-3	~ ~ ~	GASKET,PUMP	1	~ Included in 650.25012.90 Carb Kit
8-4	~ ~ ~	DIAPHRAGM,PUMP	1	(not available individually)
8-5	57825007200	SCREEN,INLET	1	
8-16	46225006200	SCREW, IDLE ADJUST	1	
8-17	46325012200	SPRING, IDLE ADJUST	1	
8-21	4772508820	VALVE, SPRING	1	
8-22	47325012200	LEVER, CONTROL	1	
8-23	60525001200	PIN, HINGE	1	
8-24	54625001200	SCREW, SET, HINGE PIN	1	
8-25	6032501220	NEEDLE VALVE	1	
8-28	~ ~ ~	GASKET, DIAPHRAGM	1	
8-29	~ ~ ~	DIAPHRAGM, METERING	1	
8-31	47625012201	COVER, DIAPHRAGM	1	
8-32	54825012200	SCREW, SET	1	



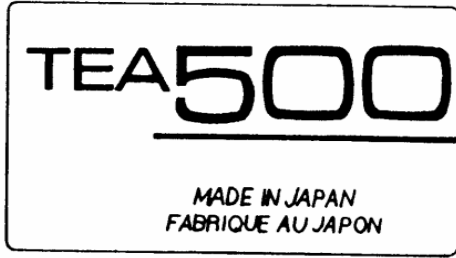
ITEM	PART NUMBER	DESCRIPTION	QTY	COMMENTS
9-1	03032203802	SHAFT,CLUTCH	1	
9-2	06810100200	KEY,WOODRUFF,3X13X4.5	1	
9-3	00832250200	CASE,GEAR,C	1	
9-5	99440060011	NUT,SPRING 6	4	
9-11	99351032002	RING,STOP,C-32 IN	1	
9-12	99961600202	BEARING,BALL,#6002Z	2	
9-13	99350015002	RING,STOP,C-15 EX	1	
9-14	00232250800	CASE,GEAR,A	1	
9-15	99210060012	WASHER,S,6	4	
9-16	99051060183	BOLT,HEX.HOLE,6X18	4	
9-21	30032250801	FITTING,GREASE	1	
9-24	40432250800	LOCK	1	
9-25	40332250200	SPRING,LOCK,PIN	1	
9-26	76032250200	WASHER	1	
9-27	99967007000	O-RING,P7	1	
9-28	99416050161	SCREW,5X16/WS	2	
9-29	01032201200	GEAR,#1	1	
9-37	99350010002	RING,STOP,C-10 EX	1	
9-38	99350022002	RING,STOP	1	
9-39	01832250200	GEAR,#4	1	
9-40	99961620200	BEARING,BALL,#6202	1	
9-41	01232250200	GEAR,#2	1	
9-42	01632201200	GEAR,#3	1	
9-43	06812101200	KEY,WOODRUFF,4X16X5	1	
9-44	99961620000	BEARING,BALL,#6200	1	
9-45	00632250200	CASE,GEAR,B	1	
9-46	99210060012	WASHER,S,6	6	
9-47	99023060221	BOLT,PLUS,6X22	6	
9-51	99961302050	BEARING,ROLLER,#30205J	1	
9-52	04032250200	STOPPER,BEARING	1	
9-53	99961620502	BEARING,BALL,#6205Z	1	
9-54	99209520030	WASHER,WAVE,B.B.	1	
9-55	99351052002	RING,STOP,C-52 IN	1	
9-56	02232250200	SHAFT,DRIVE	1	
9-58	EBF-PIN	PIN	2	
9-59	ASP-100	PIN	2	



ITEM	PART NUMBER	DESCRIPTION	QTY	COMMENTS
10-1	25632250201	HANDLE	2	
10-2	05532250201	GRIP,HANDLE	4	
10-3	26832250200	SPRING	2	~F180279
10-4	26632250200	BRACKET,HANDLE	2	
10-5	99101100013	NUT,10	4	
10-6	26732250800	KNOB	4	
10-11	88510244800	WIRE,THROTTLE	1	
10-12	17810244800	CORD,STOP	1	
10-16	99021060351	BOLT,6X35	4	
10-17	99201060011	WASHER,6	6	
10-18	10132250800	LEVER,THROTTLE	2	
10-19	99174060010	NUT,6	4	
10-20	06433225800	PIN,PUSH	1	
10-21	16332250200	BRACKET,STOP SWITCH	2	
10-22	16201570900	SWITCH,STOP,ASS'Y	2	
10-23	18301300200	NAME PLATE,SWITCH	2	
10-26	59900601200	CUSHION	1	
10-30	19833576200	CLAMP,CORD	2	F180280~
10-30	19833576200	CLAMP,CORD	2	~Q080470
10-30	19833576200	CLAMP,CORD	3	Q080471~
10-31	90332201200	HOLDER,THROTTLE WIRE	3	~F180279
10-31	90332201200	HOLDER,THROTTLE WIRE	1	F180280~
10-31	90332201200	HOLDER,THROTTLE WIRE	1	~Q080470
10-32	16413068000	TUBE,PROTECTION,13X680	1	
10-33	16413050000	TUBE,PROTECTION,13X500	1	



ITEM	PART NUMBER	DESCRIPTION	QTY	COMMENTS
11-1	01329325400	SPANNER,BOX,10X19	1	
11-2	80820000200	SPANNER,10X13	1	
11-3	86220000200	SCREW DRIVER,PHILLIPS	1	
11-4	81020000200	SPANNER,13X17	1	F075345~



1



3



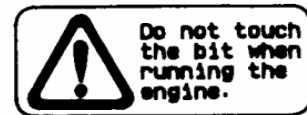
2-1



4



2



5

ITEM	PART NUMBER	DESCRIPTION	QTY	COMMENTS
12-2-1	90632250201	DECAL	1	~J048040
12-2	95031713200	DECAL,PRO-FORCE A	1	J048041~
12-3	9080163P20	DECAL,CHOKE	1	
12-4	9203246620	DECAL,CAUTION	1	C160001~
12-5	9213217220	DECAL,CAUTION	1	C160001~