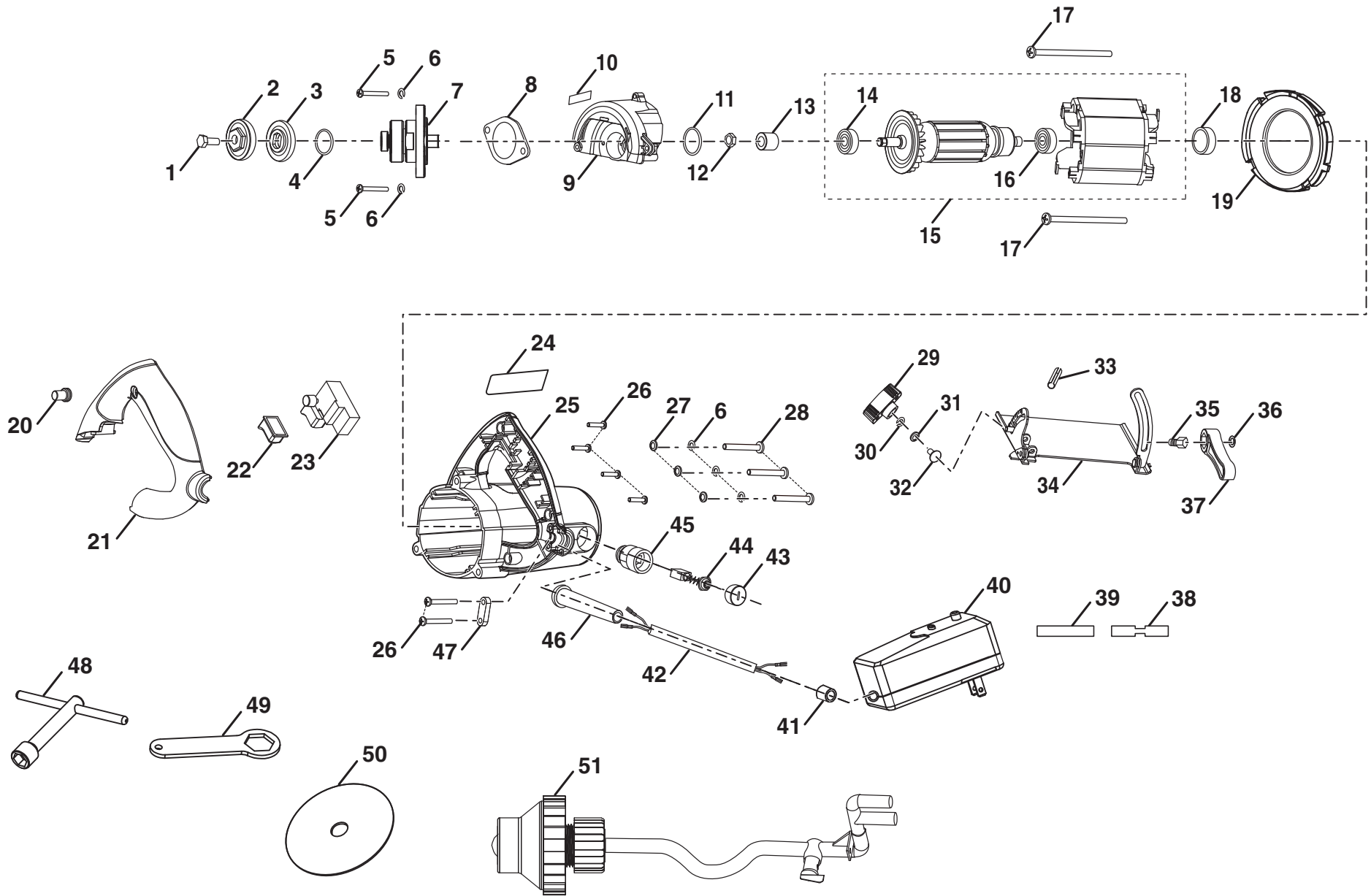


RYOBI 4 in. WET/DRY TILE SAW – MODEL NUMBER TC400



RYOBI 4 in. WET/DRY TILE SAW – MODEL NUMBER TC400

The model number will be found on a label attached to the motor housing. Always mention the model number in all correspondence regarding your 4 in. WET/DRY TILE SAW or when ordering parts.

PARTS LIST

KEY NO.	PART NUMBER	DESCRIPTION	QTY	KEY NO.	PART NUMBER	DESCRIPTION	QTY
1	039750001001	Bolt (M6 x 16 mm, Wheel)	1	29	039750001036	Bevel Lock Knob.....	1
2	039750001002	Outer Wheel Washer	1	30	039750001037	Lock Washer	1
3	039750001003	Inner Wheel Washer.....	1	31	039750001038	Washer	1
4	039750001004	O Ring (Ø20 x 2.5 mm)	1	32	039750001039	Carriage Bolt (M6 x 16 mm).....	1
5	039750001008	Screw (M5 x 20 mm).....	2	33	039750001041	Roll Pin.....	1
6	039750001009	Lock Washer	5	34	039750001040	Base Assembly	1
7	039750001099	Output Shaft Assembly.....	1	35	039750001042	Depth Lock Bolt.....	1
8	039750001077	Gasket.....	1	36	039750001044	E-Ring	1
9	039750001101	Gear Box Assembly (Inc. Key No. 10).....	1	37	039750001043	Depth Lock Lever	1
10	039750001015	Logo Label.....	1	38	039750001055	Cord Warning Label	1
11	039750001017	O Ring (Ø26 x 2 mm)	1	39	039750001054	Cord Label (GFCI)	1
12	039750001018	Hex Nut.....	1	40	039750001053	GFCI Assembly	1
13	039750001019	Pinion	1	41	039750001051	Bend Relief (GFCI)	1
14	039750001020	Ball Bearing (629-2RS)	1	42	039750001102	Power Cord (Inc. Key Nos. 38-39).....	1
15	039750001100	Motor Assembly (Inc. Key Nos. 14 and 16).....	1	43	039750001048	Brush Cap.....	2
16	039750001023	Ball Bearing (627-Z).....	1	44	039750001047	Brush Assembly.....	2
17	039750001026	Screw (M4.2 x 65 mm).....	2	45	039750001046	Brush Holder Assembly	2
18	039750001024	Bearing Sleeve.....	1	46	039750001049	Bend Relief (Motor).....	1
19	039750001025	Fan Baffle.....	1	47	039750001056	Cord Clamp	1
20	039750001028	Lock On Button Cover	1	48	039750001058	Hex "T" Wrench (10 mm)	1
21	039750001029	Handle Cover	1	49	039750001057	Hex Box Wrench (20 mm).....	1
22	039750001031	Trigger Cover	1	50	681387002	Wheel (4 in. x 5/8 in. x 2t)	1
23	039750001032	Switch	1	51	039750001052	Water Supply System	1
24	039750001034	Data Label.....	1	Not Shown:			
25	039750001033	Motor Housing	1		987000633	Operator's Manual (039750001069)	
26	039750001035	Screw (M4.2 x 16 mm).....	6		3-29-11		
27	039750001076	Washer.....	3		(REV:04)		
28	039750001045	Screw (M5 x 30 mm).....	3				