

Tanaka Illustrated Parts Manual

Model Number:

TC-355

UTILITY / SCOOTER ENGINE

P/N 30262

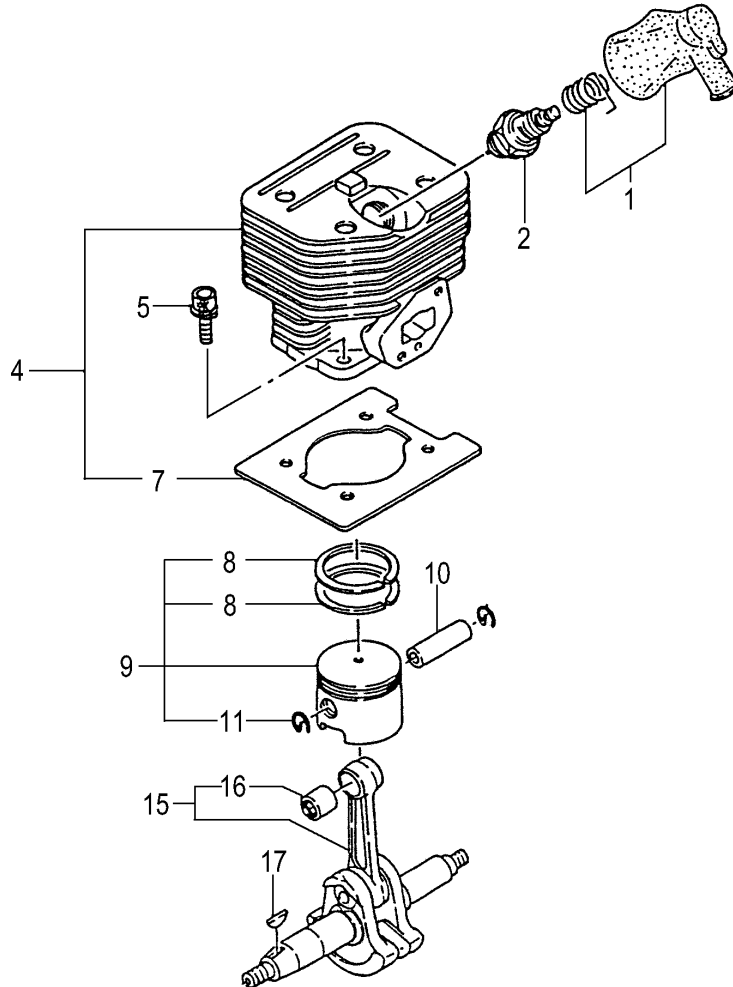
Rev 000

Date 03-12-04



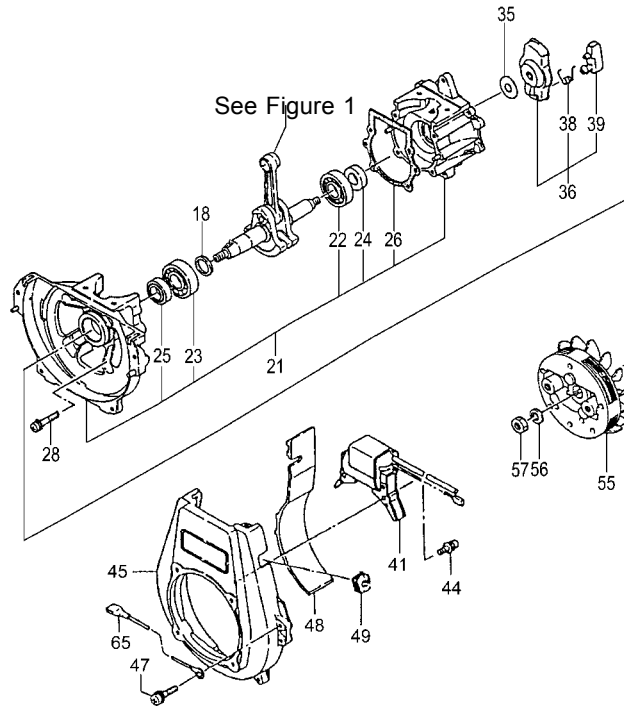
Supplier To The Outdoor Power Equipment Industry

ISM, Inc. • 1028 4th Street SW • Auburn, WA 98001 • Phone: (253) 333-1200 • Fax: (253) 333-1212

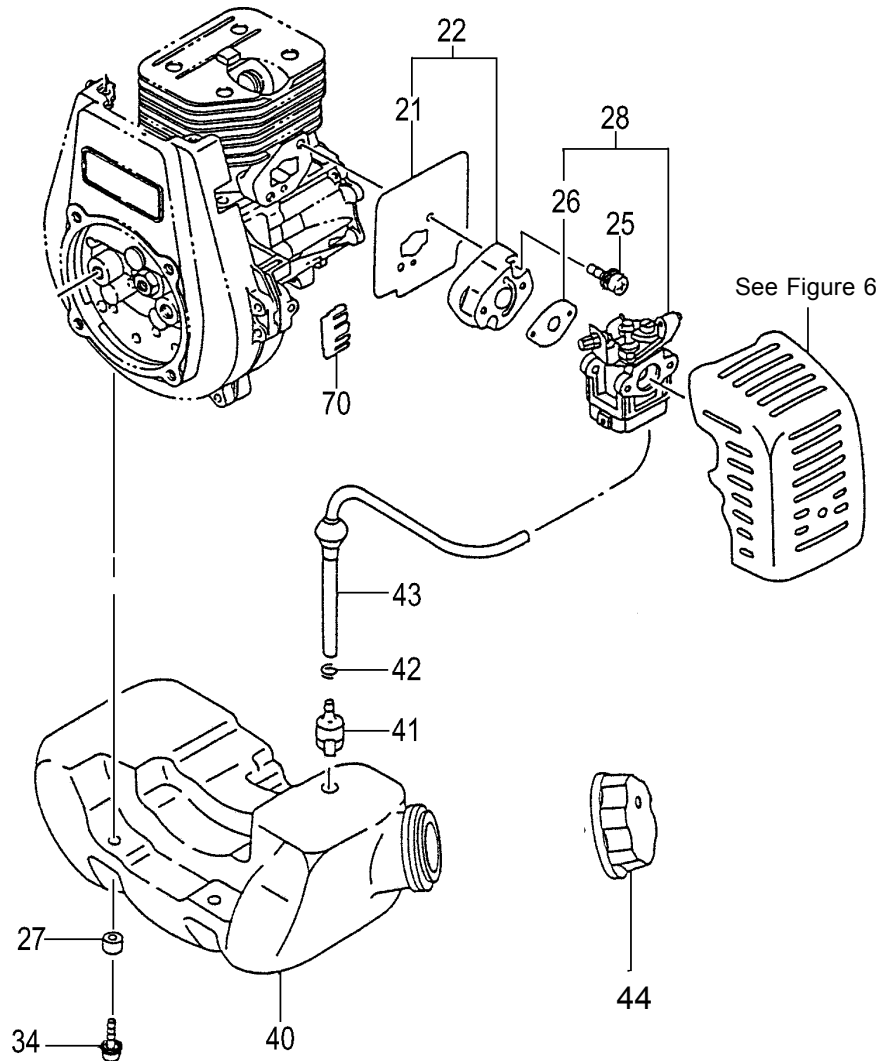


ITEM	PART NUMBER	DESCRIPTION	QTY	COMMENTS
1-1	1570097A900	CAP, SPARK PLUG, ASS'Y	1	
1-2	01802233200	PLUG, SPARK	1	
1-4	0010143C90	CYLINDER SET	1	Includes gasket
1-5	99461050184	BOLT, HEX, 5X18, S	4	
1-7	01701380200	GASKET, CYLINDER	1	
1-8	04104000200	RING, PISTON	2	
1-9	0300143C90	PISTON SET	1	Includes rings & circlips
1-10	03701400200	PIN, PISTON	1	
1-11	03900000201	CIRCLIP, PISTON PIN	2	
1-15	0460135082	CRANKSHAFT	1	
1-16	99962091325	BEARING, NEEDLE, F-910	1	
1-17	06810100200	KEY, WOODRUFF, 3X13X4.5	1	

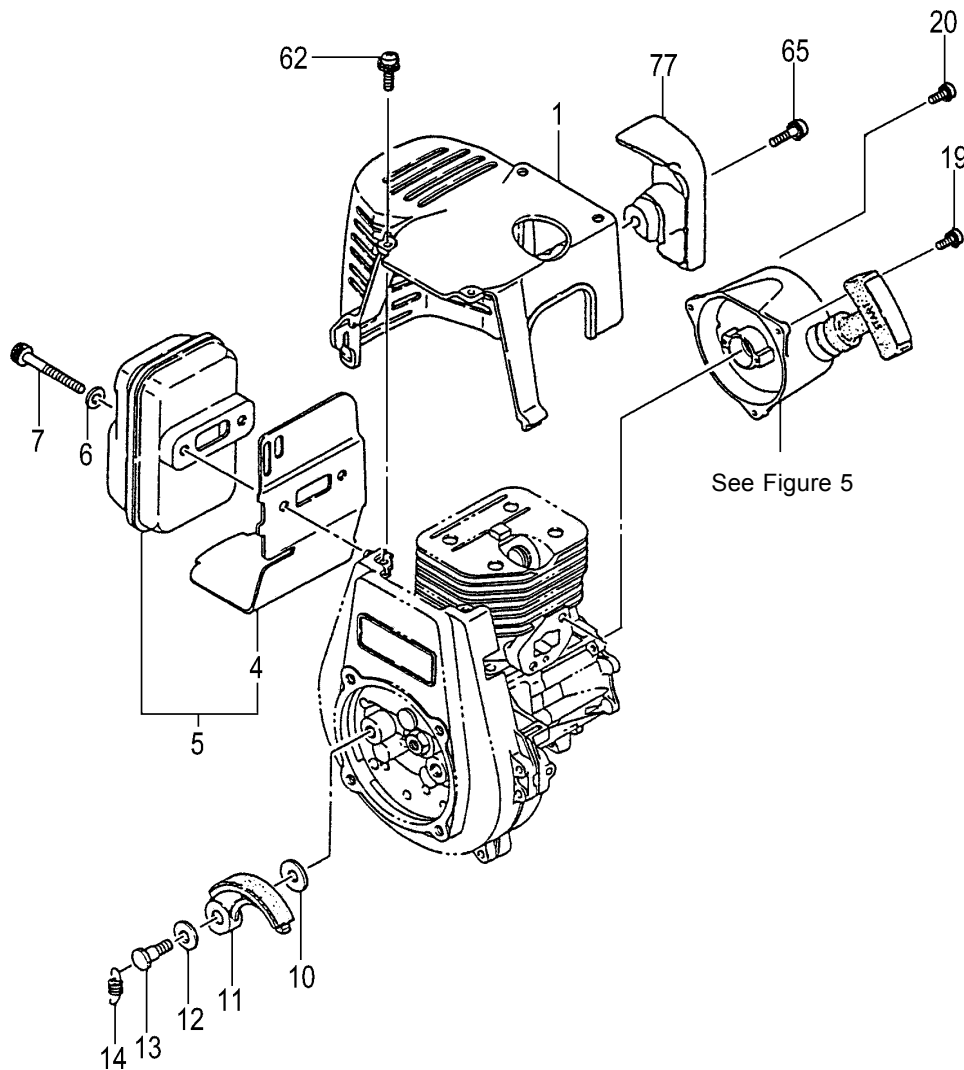
CRANKCASE, FLYWHEEL, STARTER PULLEY • FIGURE 2



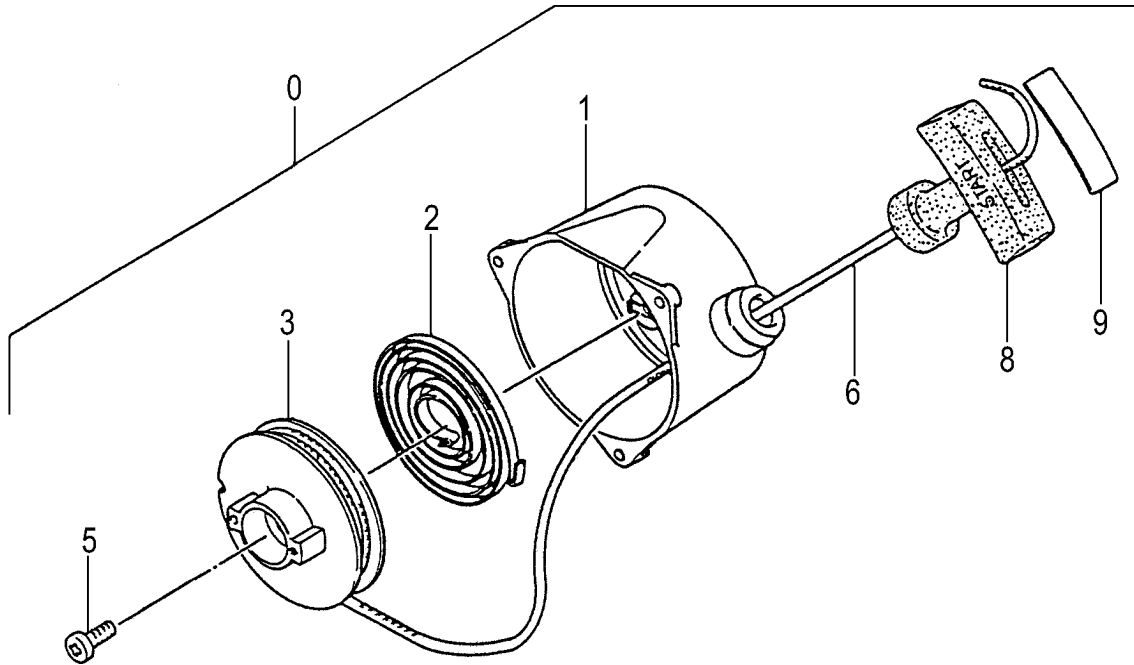
ITEM	PART NUMBER	DESCRIPTION	QTY	COMMENTS
2-18	07102007200	SHIM, 15.2X20X.05	1	
2-18	07102007210	SHIM, 15.2X20X.10	1	
2-18	07102007220	SHIM, 15.2X20X.15	1	
2-18	07102007230	SHIM, 0.20	1	
2-18	07111600240	SHIM, 0.30	1	
2-21	0720138A90	CRANKCASE, ASS'Y	1	
2-22	99961600200	BEARING, BALL, #6002	1	
2-23	99961620200	BEARING, BALL, #6202	1	
2-24	99966122206	SEAL, OIL, #TC12227	1	
2-25	99966152511	SEAL, OIL, #VE15X25X7	1	
2-26	09001380200	GASKET, CRANKCASE	1	
2-28	99414050251	SCREW, 5X25	4	
2-35	35910112203	WASHER, CLUTCH B	1	
2-36	7980166R90	PULLEY, STARTER, ASS'Y	1	
2-38	7900162V200	SPRING, PAWL, STARTER	1	
2-39	7880138A20	PAWL, STARTER	1	
2-41	1672196080	COIL, IGNITION	1	
2-44	99416040226	SCREW, WS, 4X22	2	
2-45	1120136022	CASE, FAN (ORANGE)	1	
2-45	11201442200	CASE, FAN (POLISHED)	1	
2-47	99414050181	SCREW, S, 5X18	4	
2-48	13201300200	PAN, FLASH	1	
2-49	2030604A202	GROMMET	1	
2-55	1552173380	ROTOR, MAGNETO	1	
2-56	99201080011	WASHER, 8	1	
2-57	99101080011	NUT, 8	1	
2-65	2740137G800	CORD, EARTH 150	1	



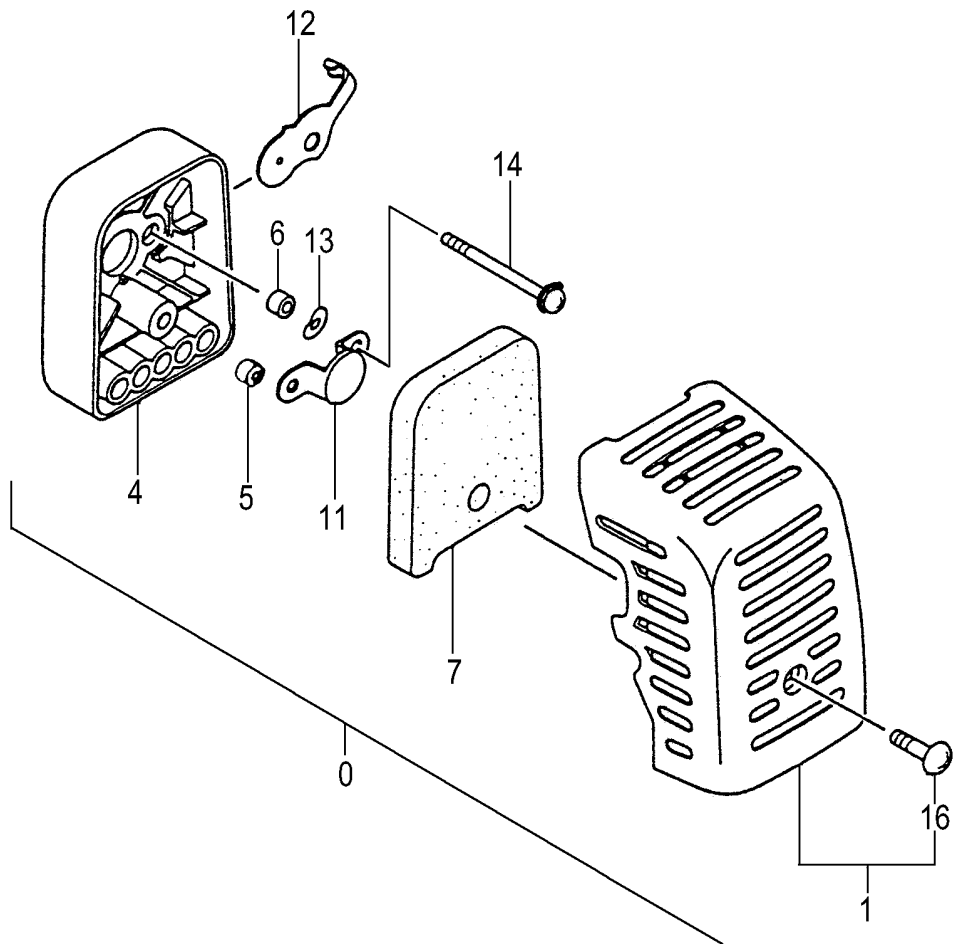
ITEM	PART NUMBER	DESCRIPTION	QTY	COMMENTS
3-21	4030143C21	GASKET,INLET MANIFOLD	1	
3-22	4040143C90	INSULATOR SET	1	
3-25	99416050221	SCREW,5X22/WS	2	
3-26	4020602K21	GASKET,CARBURETOR	1	
3-27	65900801200	COLLAR	3	
3-28	4550143C90	CARBURETOR SET	1	
3-34	99415050185	SCREW,5X18	3	
3-40	5910138A20	TANK,FUEL (ORANGE)	1	
3-40	5910130A20	TANK,FUEL (WHITE)	1	
3-41	67501630900	FILTER,FUEL	1	
3-42	68000731201	CLIP 6.3	1	
3-43	2230622U900	PIPE,FUEL,ASS'Y	1	
3-44	5950138090	CAP,TANK ASSY, (ORANGE)	1	
3-44	5950144D90	CAP,TANK ASSY, (BLACK)	1	
3-70	0910130020	PARTITION	1	
3-76	62632810200	CHAIN,TANK CAP	1	



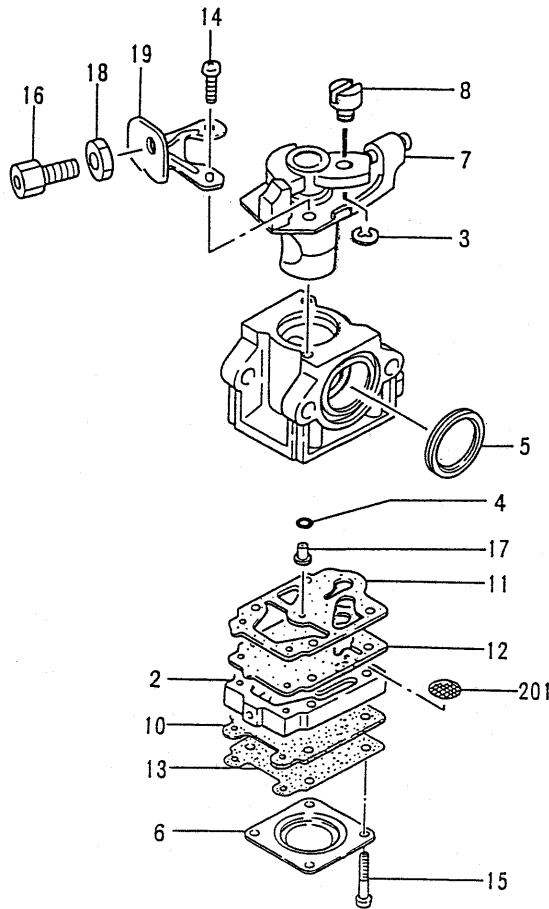
ITEM	PART NUMBER	DESCRIPTION	QTY	COMMENTS
4-1	7380138021	PROTECTOR,MUFFLER	1	
4-4	1330138021	SHIELD,HEAT	1	
4-5	7040143C90	MUFFLER SET	1	
4-6	99201060011	WASHER,6	2	
4-7	99053060603	BOLT,HEX,6X60	2	
4-10	35910112203	WASHER,CLUTCH B	2	
4-11	2900138A80	SHOE,CLUTCH	2	
4-12	35810112201	WASHER,CLUTCH	2	
4-13	3570136U200	BOLT,STEP,CLUTCH	2	
4-14	3420138A20	SPRING,CLUTCH	1	
4-19	99416040161	SCREW 4 X 16 /WS	2	
4-20	99416040251	SCREW,4X25/WS	1	
4-62	99415040121	SCREW,PS,4X12	2	
4-65	99415050251	SCREW,5X25PS	1	
4-77	1320130A20	DEFLECTOR, AIR	1	



ITEM	PART NUMBER	DESCRIPTION	QTY	COMMENTS
5-0	7620136U901	STARTER,RECOIL ASS'Y	1	
5-1	7720136U80	BODY,STARTER	1	
5-2	7790136U200	SPRING,RECOIL	1	
5-3	7740162V200	REEL,STARTER ROPE	1	
5-5	8390201020	SCREW,SET	1	
5-6	7830136U200	ROPE,STARTER	1	
5-8	78501620200	HANDLE,STARTER	1	
5-9	79501620200	SEAL,HANDLE KNOB	1	



ITEM	PART NUMBER	DESCRIPTION	QTY	COMMENTS
6-0	4100138A93	CLEANER ASSY	1	
6-1	4520138091	COVER,CLEANER,ASSY	1	
6-4	4230138082	BODY,CLEANER	1	
6-5	4530637C200	COLLAR	1	
6-6	4700602N200	COLLAR,CLEANER	1	
6-7	4460138020	ELEMENT,CLEANER	1	
6-11	47601700200	BOARD,BLOW OVER CHECK	1	
6-12	5280138021	VALVE,CHOKE	1	
6-13	99204080030	WASHER	1	
6-14	99414050571	SCREW,5X5,S	2	
6-16	3800637C200	BOLT,CLEANER COVER	1	



ITEM	PART NUMBER	DESCRIPTION	QTY	COMMENTS
	4550143C90	CARBURETOR SET	1	Includes gasket
7-2	5752515280	BODY,PUMP	1	
7-3	48925100200	RING,STOP	1	
7-4	55025100200	O-RING	1	
7-5	4310634C200	GASKET,CLEANER	1	
7-6	47625004200	COVER,DIAPHRAGM	1	
7-7	48825120900	VALVE,THROTTLE	1	
7-8	53925120200	SWIVEL	1	
7-10	~ ~ ~	GASKET,DIAPHRAGM	1	~ Not available individually - order 650.25124.900 Carb Kit
7-11	~ ~ ~	GASKET,PUMP	1	
7-12	~ ~ ~	DIAPHRAGM,PUMP	1	
7-13	~ ~ ~	DIAPHRAGM,METERING	1	
7-14	51425100200	SCREW,THROTTLE SET	2	
7-15	54825101200	SCREW,SET	4	
7-16	61425137200	ADJUSTER,CABLE	1	
7-17	5992000W430	JET,MAIN,#43	1	
7-18	99101060013	NUT,6	1	
7-19	54425120200	STAY,ADJUST,CABLE	1	
7-201	57825007200	SCREEN,INLET	1	