



BOSCH

Drill

TBM 3400 | 3 601 AA9 181

Table of Content

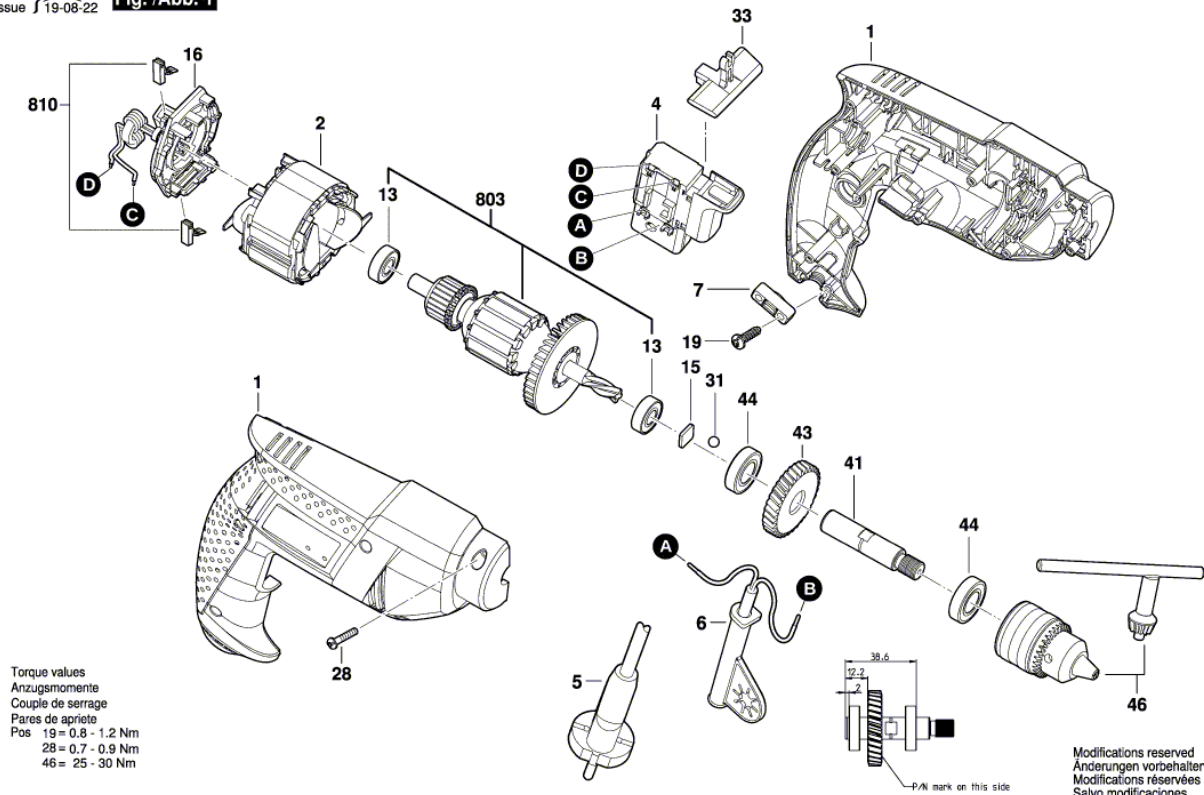
Spare parts list.....	2
Illustration - Type.....	3

Spare parts list

Item	Part Number	Description	
1	1 619 P20 251	Housing Section	
2	1 619 P20 885	Field	
4	2 607 200 623	Switch	
5	1 604 460 274	Power supply cord 1,0mm H05VV-F	CN 220V 2,15m 2 x
6	2 600 707 059	Grommet	Ø6,9 MM
7	2 601 035 001	Cable Clip	
13	1 619 P06 024	Ball Bearing	
15	2 609 110 019	Pressure Plate	
16	1 619 P20 066	Brush Holder	
19	1 619 P00 228	Screw	
28	1 619 P00 219	Tapping Screw	
31	1 903 230 009	Ball	DIN 5401-5 G28
33	1 619 P20 250	Adjusting Slide	
41	1 619 P10 887	Drilling Spindle	
43	1 619 P10 888	Cylindrical Gear	
44	1 619 X07 256	Ball Bearing	
46	1 608 571 079	Chuck	Ø1,0-10 MM, 3/8"
803	1 619 P20 267	Armature set	
810	1 619 P20 086	Carbon-Brush Set	

Illustration - Type - E

3 601 AA9 181
 Stand } 19-05
 Issue } 19-08-22 **Fig. /Abb. 1**



Torque values
 Anzugsmomente
 Couple de serrage
 Paires de apriete
 Pos 19 = 0.8 - 1.2 Nm
 28 = 0.7 - 0.9 Nm
 46 = 25 - 30 Nm

Modifications reserved
 Änderungen vorbehalten
 Modifications réservées
 Salvo modificaciones