



**BOSCH**

# Drill

TBM 3200 | 3 601 A3F 081

---

## Table of Content

|                          |   |
|--------------------------|---|
| Spare parts list.....    | 2 |
| Illustration - Type..... | 3 |

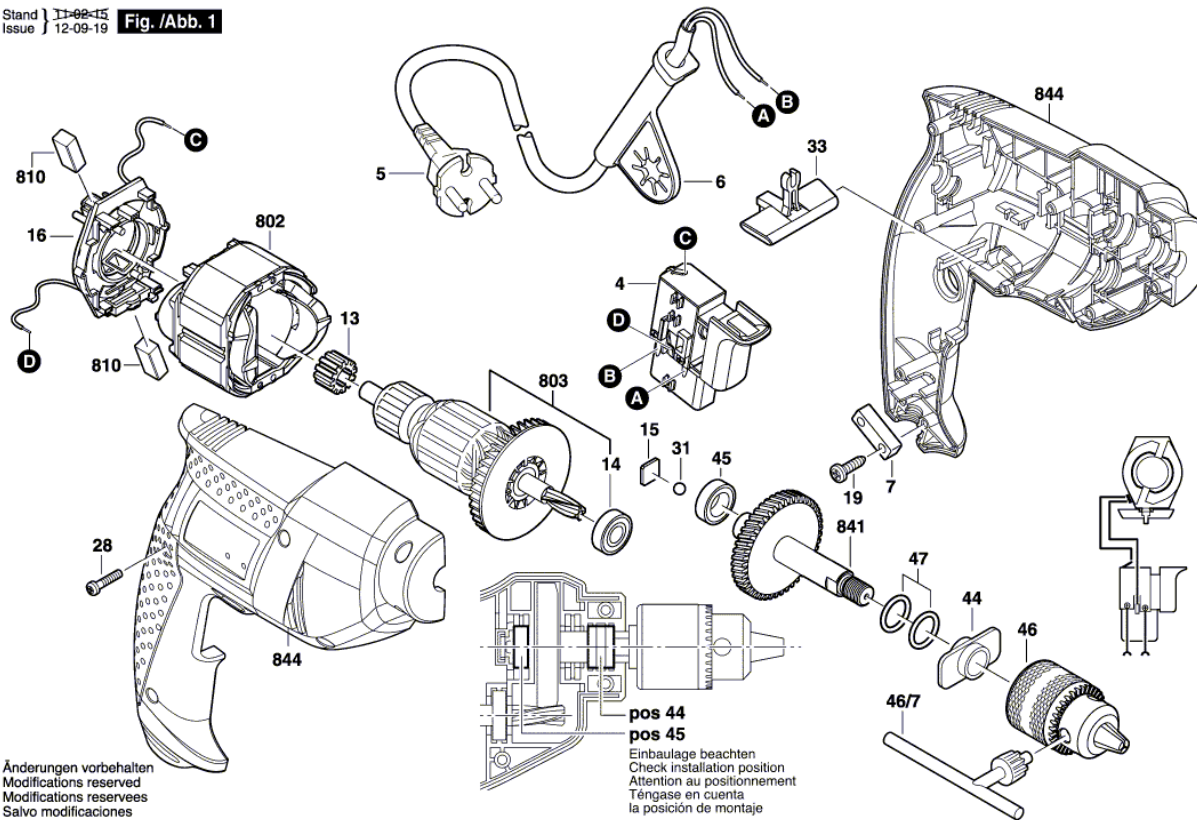
## Spare parts list

| Item | Part Number   | Description                                       |
|------|---------------|---|
| 4    | 2 607 200 623 | Switch  |
| 5    | 1 604 460 274 | Power supply cord CN 220V 2,15m 2 x 1,0mm H05VV-F |
| 6    | 2 600 707 059 | Grommet Ø6,9 MM                                   |
| 7    | 2 601 035 001 | Cable Clip  |
| 13   | 2 600 301 068 | Sintered-Metal Bushing                            |
| 14   | 1 619 P06 024 | Ball Bearing                                      |
| 15   | 2 609 110 019 | Pressure Plate                                    |
| 16   | 1 619 P09 559 | Brush Holder                                      |
| 19   | 1 619 P00 228 | Screw   |
| 28   | 1 619 P00 219 | Tapping Screw                                     |
| 31   | 1 903 230 009 | Ball DIN 5401-5 G28                               |
| 33   | 1 619 P20 250 | Adjusting Slide                                   |
| 44   | 1 619 P00 478 | Bushing   |
| 45   | 1 619 X07 256 | Ball Bearing                                      |
| 46   | 1 608 571 079 | Chuck Ø1,0-10 MM, 3/8"                            |
| 46/7 | 2 607 950 007 | Chuck Wrench SG2                                  |
| 47   | 1 619 P00 229 | Plain Washer                                      |
| 802  | 1 619 P09 437 | Field 220-240V                                    |
| 803  | 1 619 P09 438 | Armature set 220-240V                             |
| 810  | 1 619 P09 560 | Carbon-Brush Set                                  |
| 841  | 1 619 P00 079 | Drilling Spindle                                  |
| 844  | 1 619 P09 439 | Housing Set                                       |

Illustration - Type - E

3 601 A3F 080

Stand | 11-08-15  
Issue | 12-09-19 **Fig./Abb. 1**



Änderungen vorbehalten  
Modifications reserved  
Modificaciones reservadas  
Salvo modificaciones

pos 44  
pos 45  
Einbaulage beachten  
Check installation position  
Attention au positionnement  
Téngase en cuenta  
la posición de montaje