

Tanaka Illustrated Parts Manual

Model Number:

TBC-400PF

BRUSHCUTTER, 40cc

P/N 39892

Rev 000

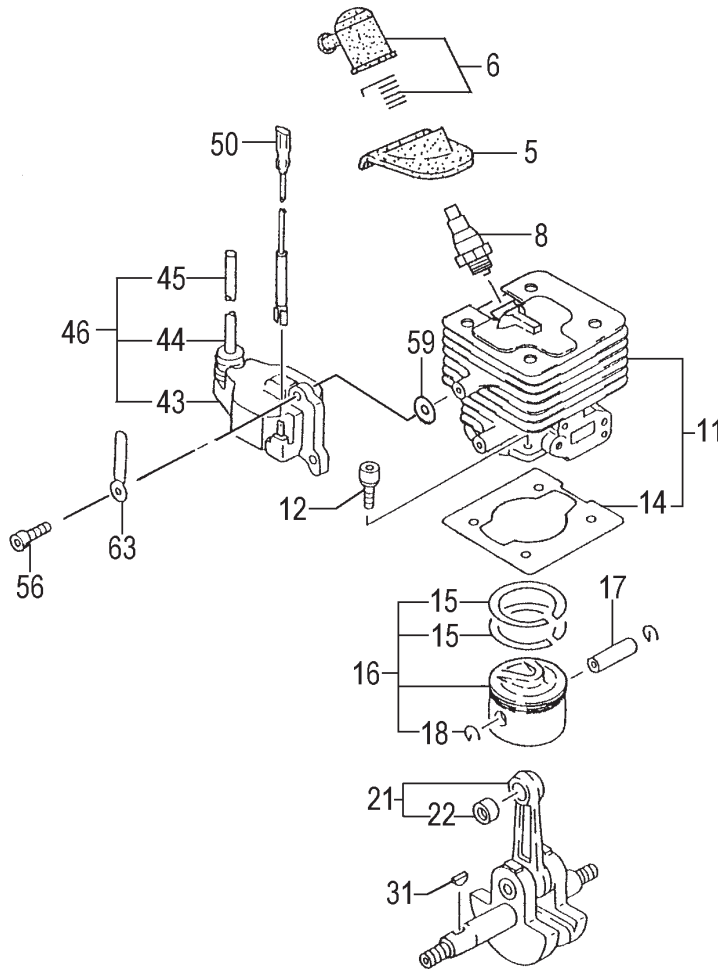
Date 5-31-05



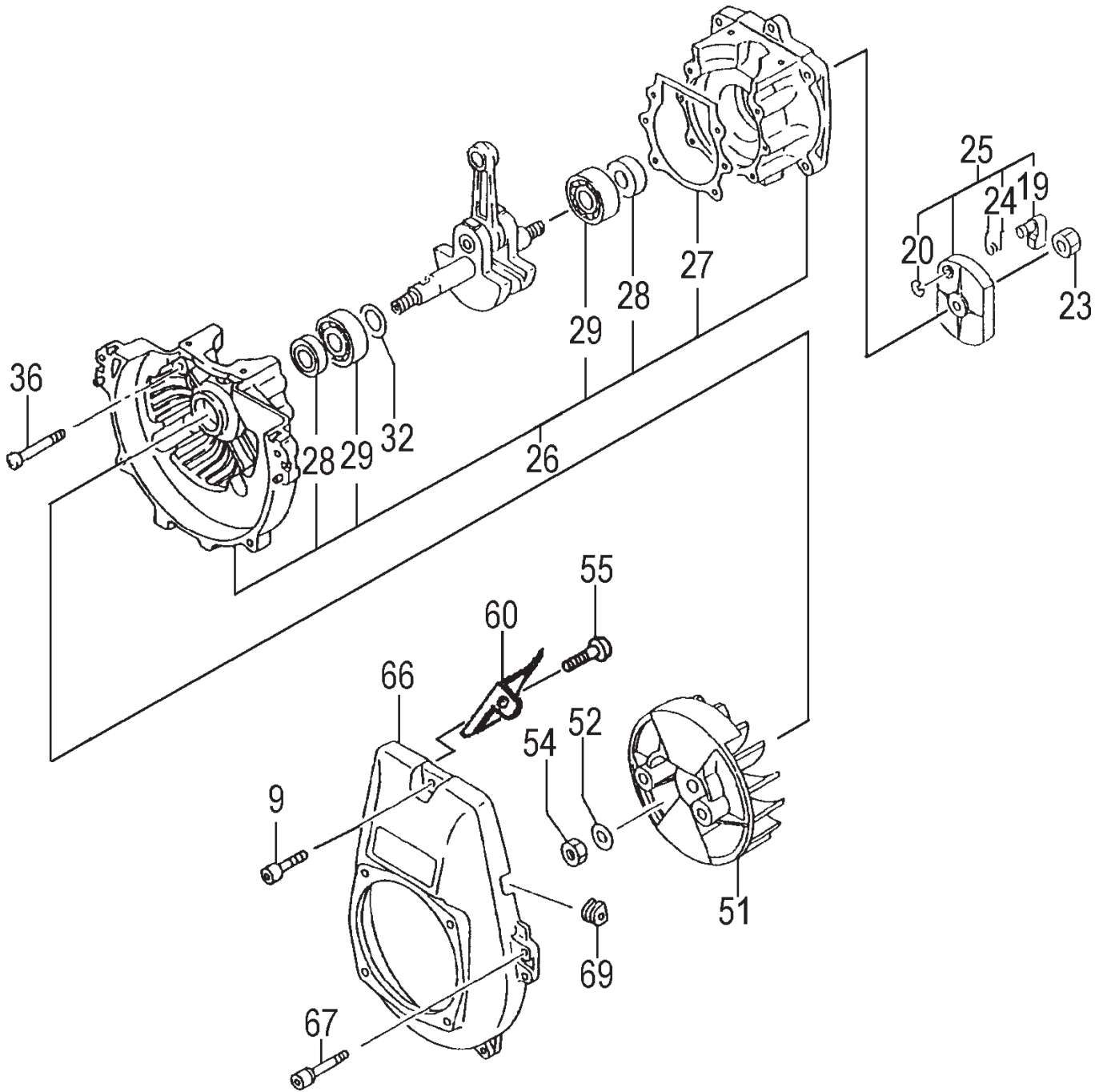
Supplier To The Outdoor Power Equipment Industry

ISM, Inc. • 1028 4th Street SW • Auburn, WA 98001 • Phone: (253) 333-1200 • Fax: (253) 333-1212

CYLINDER, PISTON & CRANKSHAFT • FIGURE 1

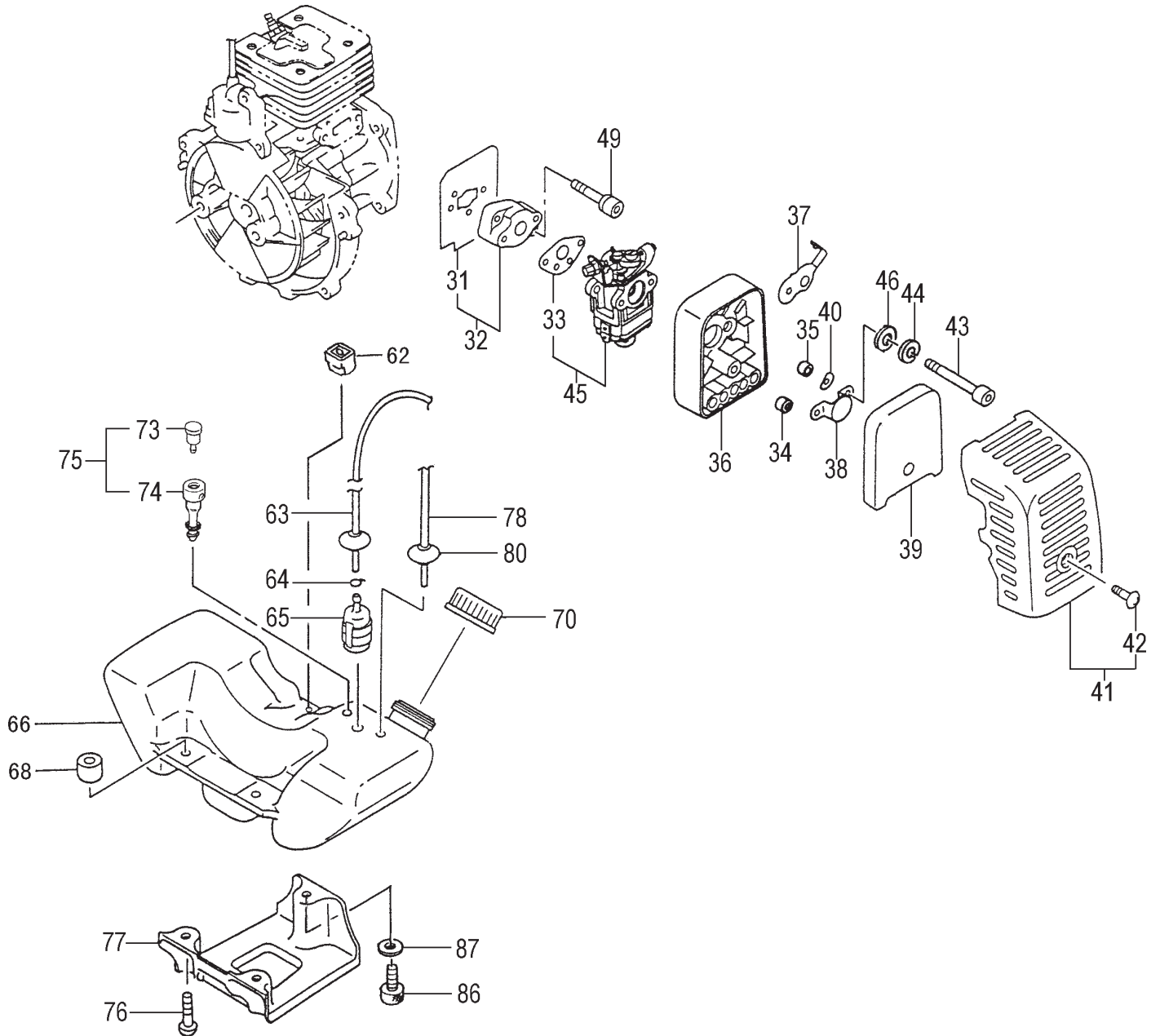


| ITEM | PART NUMBER | DESCRIPTION | QTY | COMMENTS |
|------|-------------|-------------------------|-----|------------------------------------|
| 1-5 | 25504200200 | COVER,SPARK PLUG,RUBBER | 1 | |
| 1-6 | 15711666900 | CAP,SPARK PLUG | 1 | |
| 1-8 | 0181166021 | PLUG,SPARK | 1 | |
| 1-11 | 0010440590 | SET,CYLINDER | 1 | Includes gasket |
| 1-12 | 99461050204 | BOLT,HEX,HOLE,5X20,S | 4 | |
| 1-14 | 0170440020 | GASKET,CYLINDER | 1 | |
| 1-15 | 04104050200 | RING,PISTON | 2 | |
| 1-16 | 0300440090 | PISTON SET | 1 | Includes piston rings and circlips |
| 1-17 | 0370100020 | PIN,PISTON | 1 | |
| 1-18 | 03905004200 | CIRCLIP,PISTON PIN | 2 | |
| 1-21 | 0460440080 | CRANKSHAFT | 1 | |
| 1-22 | 99962101004 | BEARING,NEEDLE,F1010B | 1 | |
| 1-31 | 06802000200 | KEY,WOODRUFF,3X13X5 | 1 | |
| 1-44 | 56020517200 | CAP,RUBBER | 1 | |
| 1-45 | 1782054322 | CORD,HIGH TENSION | 1 | |
| 1-46 | 1672054391 | COIL,IGNITION | 1 | |
| 1-50 | 1790007080 | STOP CORD,220MM | 1 | |
| 1-56 | 99416040183 | SCREW 4X18/WS | 2 | |
| 1-59 | 1820186A201 | WASHER,SPECIAL | 2 | |
| 1-63 | 19805015800 | CLAMP | 1 | |



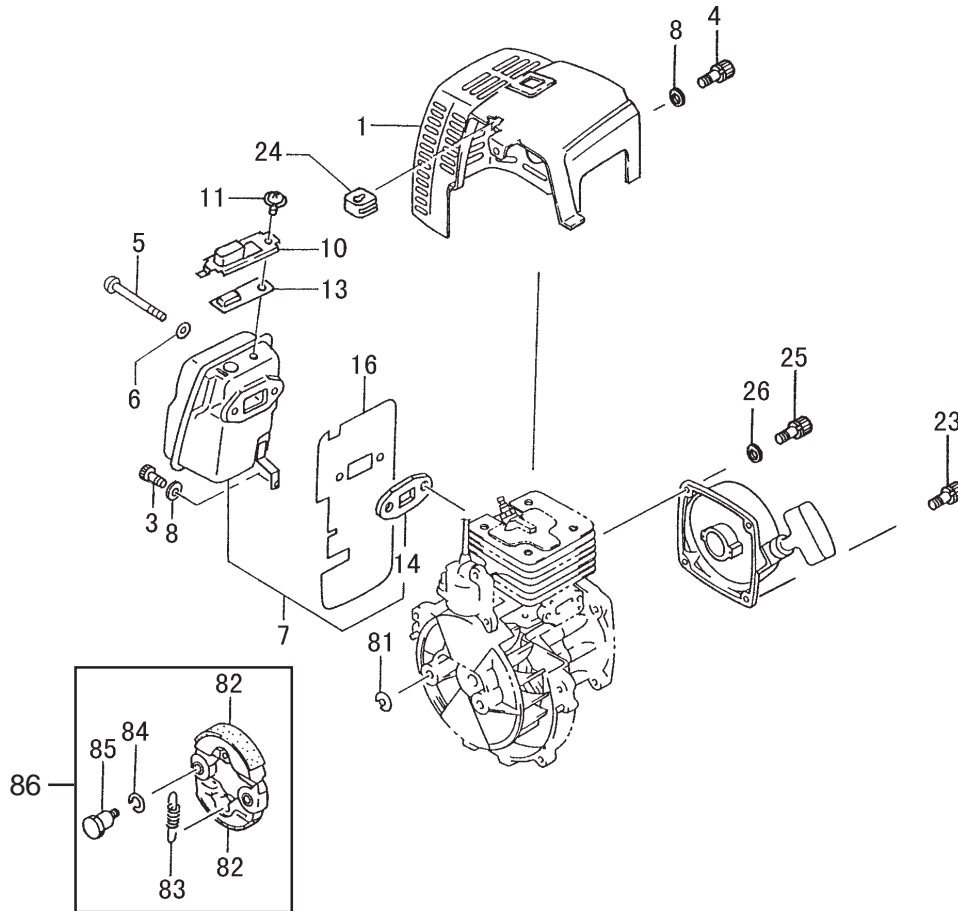
CRANKCASE & FLYWHEEL • FIGURE 2

| ITEM | PART NUMBER | DESCRIPTION | QTY | COMMENTS |
|------|-------------|----------------------|-----|-------------------------------------|
| 2-9 | 99463050204 | BOLT, HEX 5X20 | 1 | |
| 2-19 | 7880162V20 | PAWL,STARTER | 1 | |
| 2-20 | 99355050000 | RING,STOP,5 | 1 | |
| 2-23 | 99111100013 | NUT,10 | 1 | |
| 2-24 | 7900162V200 | SPRING,PAWL,STARTER | 1 | |
| 2-25 | 7980422090 | PAWL,STARTER ASS'Y | 1 | |
| 2-26 | 0720440091 | CRANKCASE ASSY | 1 | Includes gasket, seals and bearings |
| 2-27 | 0900440020 | GASKET,CRANKCASE | 1 | |
| 2-28 | 99966152564 | SEAL,OIL,UD15257 | 2 | |
| 2-29 | 99961620200 | BEARING,BALL,#6202 | 2 | |
| 2-32 | 07102007200 | SHIM,15.2X20X.05 | 1 | |
| 2-32 | 07102007210 | SHIM,15.2X20X.10 | 1 | |
| 2-32 | 07102007220 | SHIM,15.2X20X.15 | 1 | |
| 2-32 | 07111600230 | SHIM,16X21X.20 | 1 | |
| 2-32 | 07111600240 | SHIM,16X21X.30 | 1 | |
| 2-36 | 99461050304 | BOLT,HEX,5X30S | 4 | |
| 2-51 | 1552053880 | ROTOR,MAGNETO | 1 | |
| 2-52 | 99201100011 | WASHER,10 | 1 | |
| 2-54 | 99111100011 | NUT,10 | 1 | |
| 2-55 | 99414050101 | SCREW,S,5X10 | 1 | |
| 2-60 | 1320440020 | DEFLECTOR,AIR | 1 | |
| 2-66 | 1120441321 | CASE,FAN,POLISHED | 1 | |
| 2-67 | 99461050204 | BOLT,HEX,HOLE,5X20,S | 4 | |
| 2-69 | 20311660200 | GROMMET,PRIMARY CORD | 1 | |

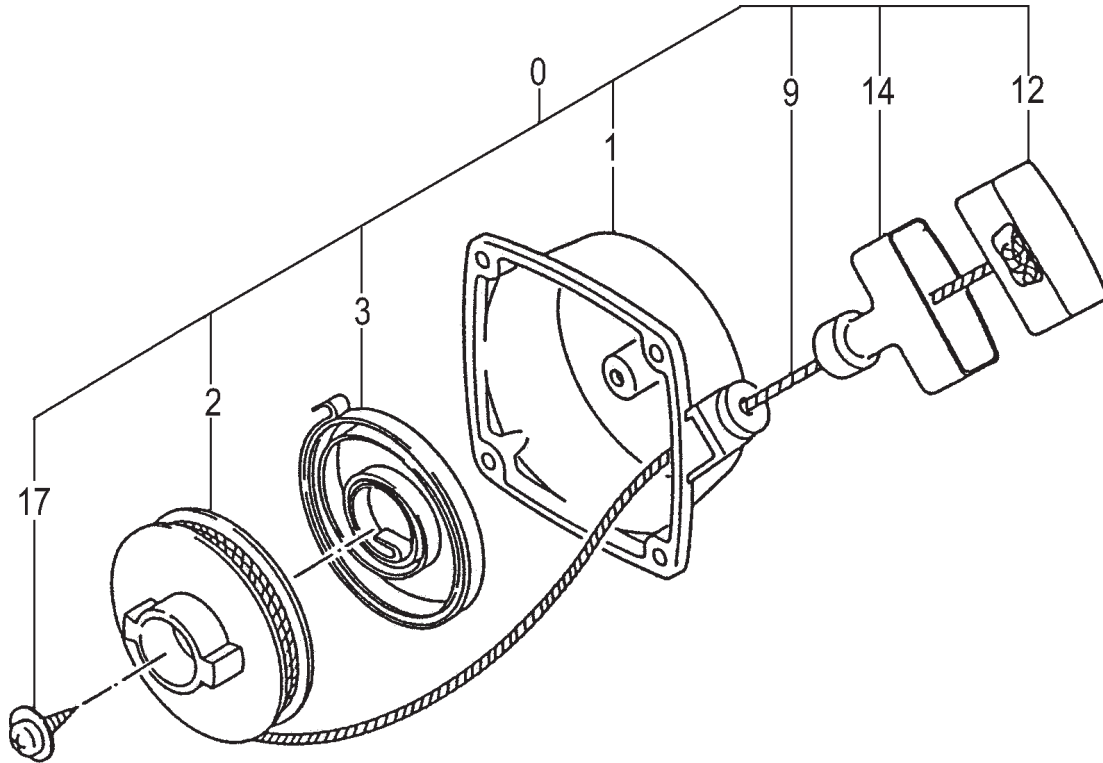


| ITEM | PART NUMBER | DESCRIPTION | QTY | COMMENTS |
|------|-------------|-------------------------|-----|-----------------|
| 3-31 | 4030430020 | GASKET,INLET MANIFOLD | 1 | Includes gasket |
| 3-32 | 4040430090 | SET,CARB INSULATOR | 1 | |
| 3-33 | 4020430020 | GASKET,CARBURETOR | 1 | |
| 3-34 | 4530637C200 | COLLAR | 1 | |
| 3-35 | 4700138020 | COLLAR | 1 | |
| 3-36 | 4230138082 | BODY,CLEANER | 1 | |
| 3-37 | 5280138021 | VALVE,CHOKE | 1 | |
| 3-38 | 47601700200 | BOARD,BLOW OVER CHECK | 1 | |
| 3-39 | 4460138021 | FILTER,AIR | 2 | |
| 3-40 | 99204080030 | WASHER,8 | 1 | |
| 3-41 | 4520138091 | COVER,CLEANER,ASSY | 1 | |
| 3-42 | 3800637C200 | BOLT,CLEANER COVER | 1 | |
| 3-43 | 99011050602 | SCREW,5X60 | 2 | |
| 3-44 | 99210050012 | WASHER,S,5 | 2 | |
| 3-45 | 4550440090 | SET,CARBURETOR | 1 | |
| 3-46 | 78600601200 | WASHER,RECOIL STARTER | 2 | |
| 3-49 | 99464050254 | BOLT,HEX HOLE,5X25WS | 2 | |
| 3-62 | 6490168020 | COLLAR,TANK FIXING | 1 | |
| 3-63 | 22301251901 | PIPE,FUEL,3X5X230 | 1 | |
| 3-64 | 68000731201 | CLIP 6.3 | 1 | |
| 3-65 | 67501630900 | FILTER,FUEL | 1 | |
| 3-66 | 5910441321 | TANK,WHITE,PF-4000 | 1 | |
| 3-68 | 6590430020 | COLLAR,C | 3 | |
| 3-70 | 5950656B90 | CAP,FUEL BLACK,NON VENT | 1 | |
| 3-73 | 6460661290 | VALVE | 1 | |
| 3-74 | 5650441020 | PIPE,AIR VENT | 1 | |
| 3-75 | 5640661190 | VENT,AIR ASS'Y | 1 | |
| 3-76 | 99463050204 | BOLT, HEX 5X20 | 2 | |
| 3-77 | 9400430020 | STAND,ENGINE | 1 | |
| 3-78 | 7000300508 | PIPE,FUEL,3X5X85 | 1 | |
| 3-80 | 22206300200 | GROMMET,FUEL PIPE | 1 | |
| 3-86 | 99461050304 | BOLT,HEX,5X30S | 1 | |
| 3-87 | 99201050061 | WASHER,5 | 1 | |

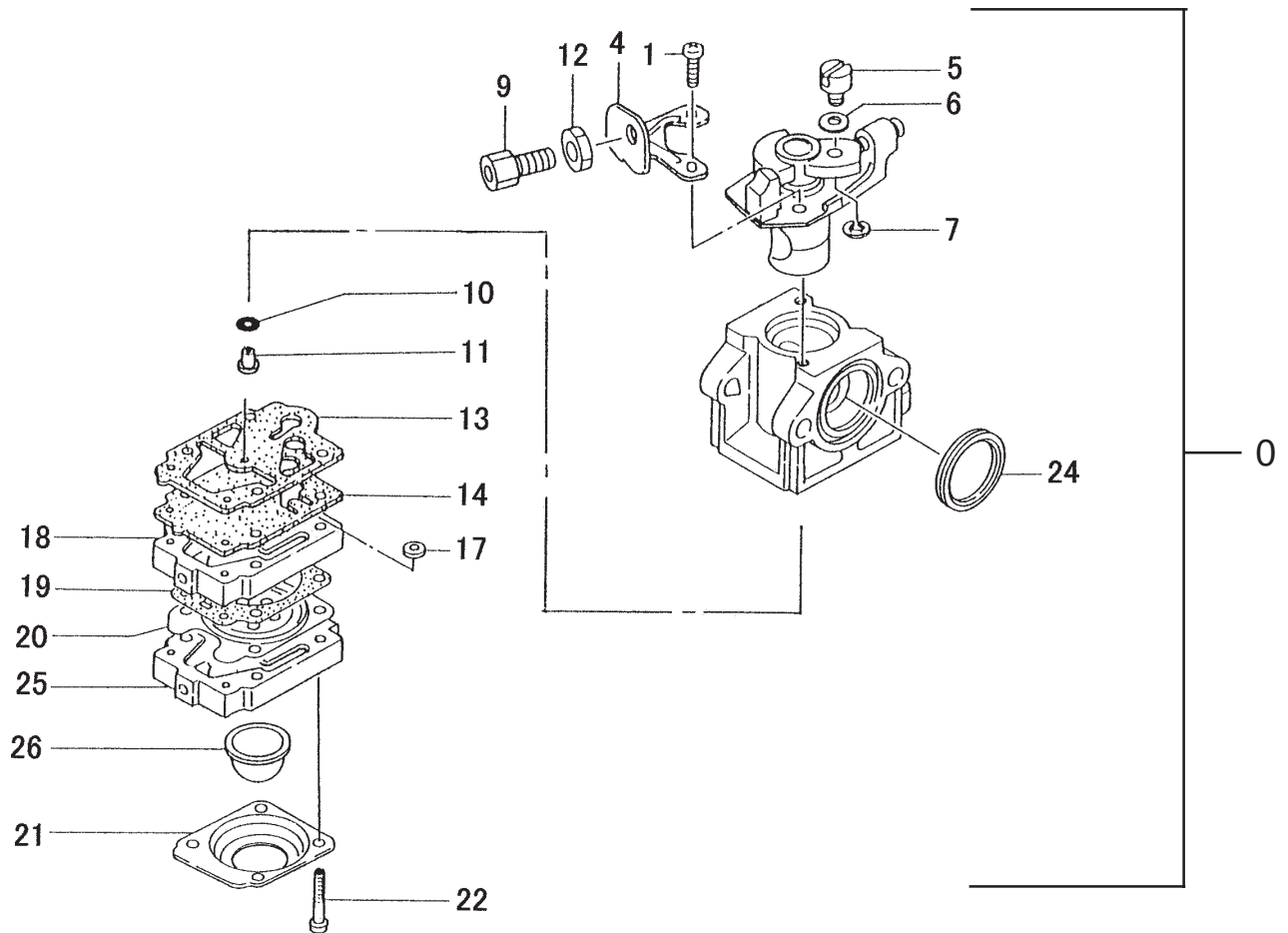
MUFFLER, CLUTCH & COVER • FIGURE 4



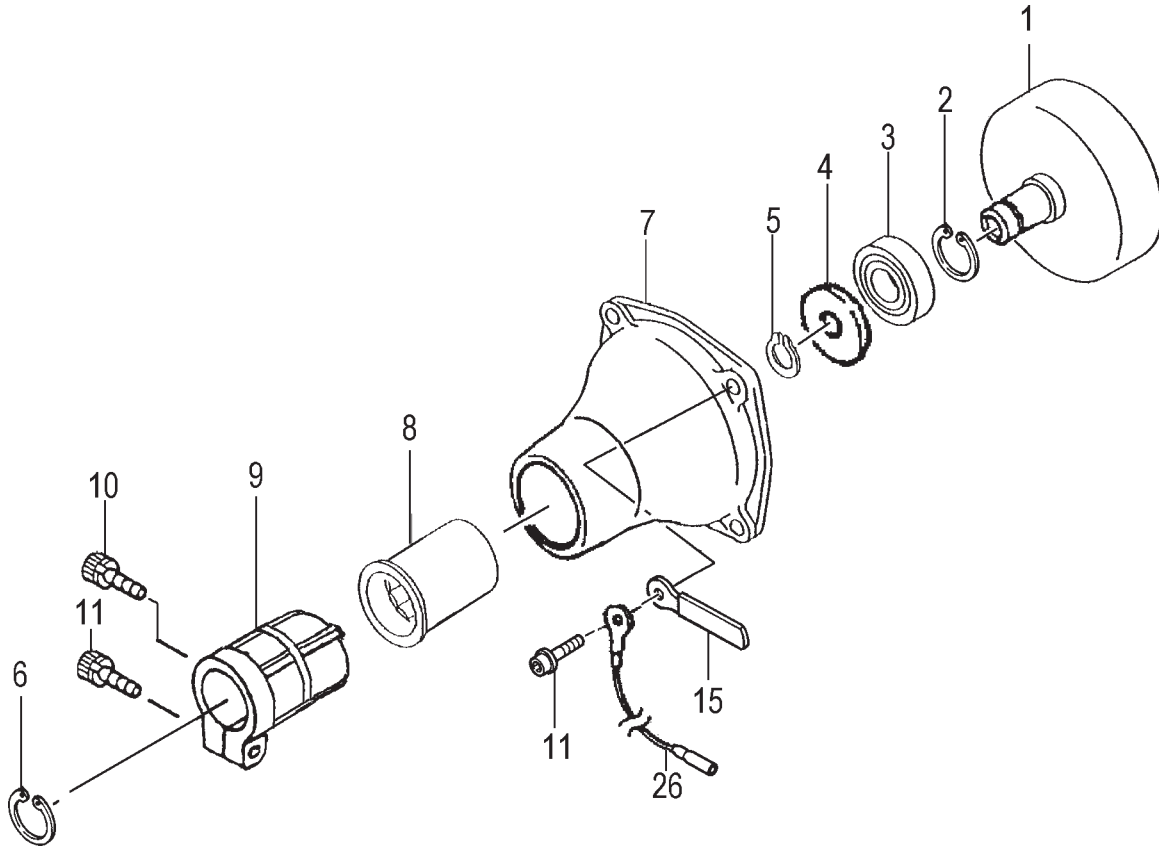
| ITEM | PART NUMBER | DESCRIPTION | QTY | COMMENTS |
|------|-------------|---------------------|-----|-----------------|
| 4-1 | 7380440A21 | PROTECTOR,MUFFLER | 1 | |
| 4-3 | 99461050124 | BOLT,HEX,5X12S | 1 | |
| 4-5 | 99053060653 | SCREW,HEX,6X65 | 2 | |
| 4-6 | 99201060011 | WASHER,6 | 2 | |
| 4-7 | 7040440090 | SET,MUFFLER | 1 | Includes gasket |
| 4-8 | 99201050061 | WASHER,5 | 1 | |
| 4-10 | 7210440020 | PIPE,TAIL | 1 | |
| 4-11 | 99434040081 | SCREW,4X8/S | 1 | |
| 4-13 | 7320440020 | ARRESTER,SPARK | 1 | |
| 4-14 | 73704230200 | GASKET,MUFFLER | 1 | |
| 4-16 | 1330440020 | SHIELD,HEAT | 1 | |
| 4-23 | 99463050204 | BOLT, HEX 5X20 | 2 | |
| 4-24 | 2030604A202 | GROMMET | 1 | |
| 4-25 | 99461050254 | BOLT,HEX HOLE,5X25S | 2 | |
| 4-26 | 99201050061 | WASHER,5 | 2 | |
| 4-81 | 35910112203 | WASHER,CLUTCH B | 2 | |
| 4-82 | 2900420081 | SHOE,CLUTCH | 2 | |
| 4-83 | 34204200200 | SPRING,CLUTCH | 1 | |
| 4-84 | 99204100030 | WASHER,WAVE,10 | 2 | |
| 4-85 | 35704201200 | BOLT,CLUTCH STEP | 2 | |
| 4-86 | 30790 | CLUTCH ASSY | 1 | |



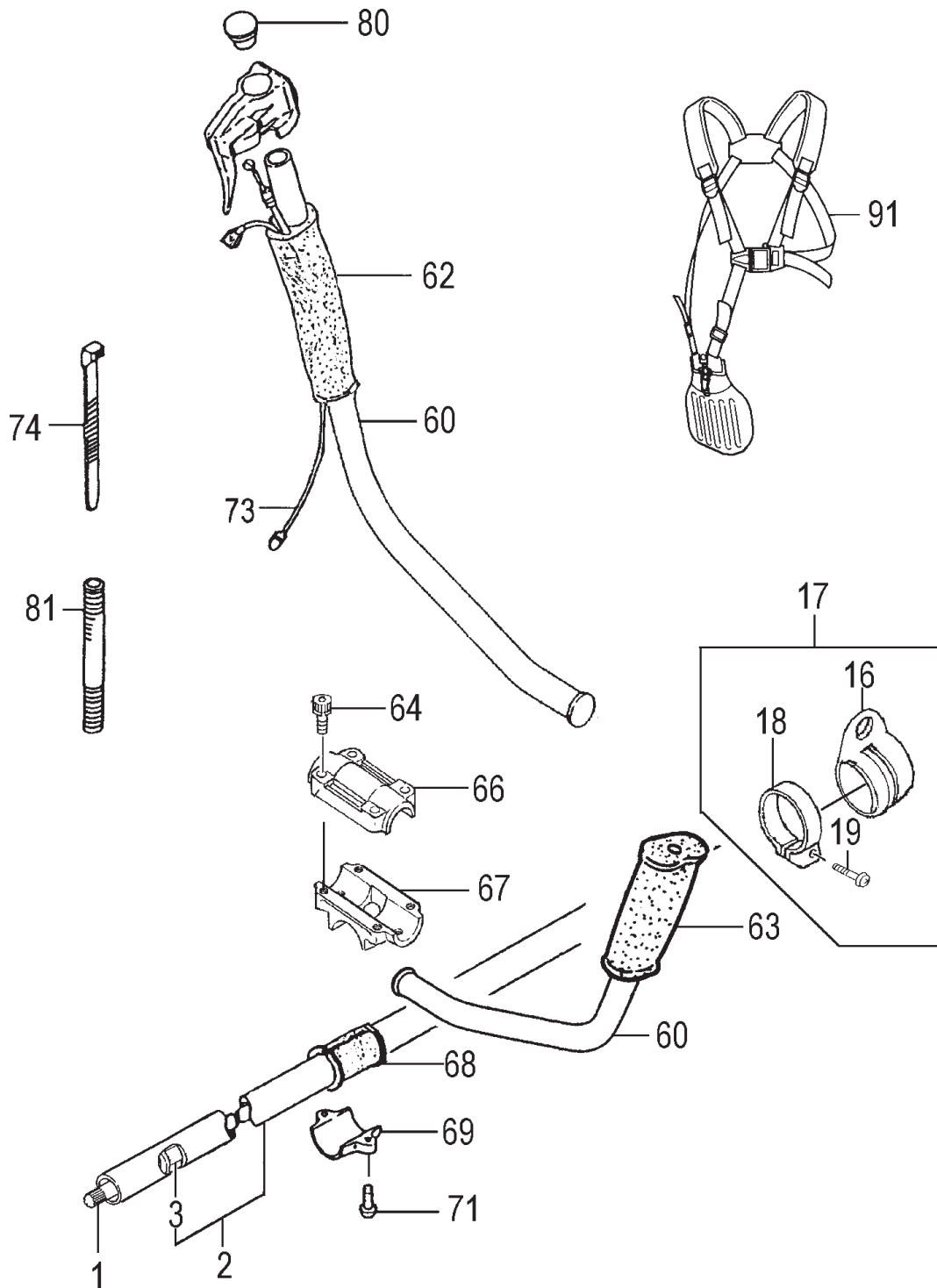
| ITEM | PART NUMBER | DESCRIPTION | QTY | COMMENTS |
|------|-------------|---------------------|-----|----------|
| 5-0 | 7620422090 | STARTER,RECOIL ASSY | 1 | |
| 5-1 | 7720422080 | BODY,RECOIL STARTER | 1 | |
| 5-2 | 7690422020 | REEL,STARTER ROPE | 1 | |
| 5-3 | 7790422020 | SPRING,RECOIL | 1 | |
| 5-9 | 7830427020 | ROPE,STARTER | 1 | |
| 5-12 | 8350422020 | CAP,HANDLE | 1 | |
| 5-14 | 7850422020 | HANDLE,STARTER | 1 | |
| 5-17 | 8390422020 | SCREW,SET | 1 | |



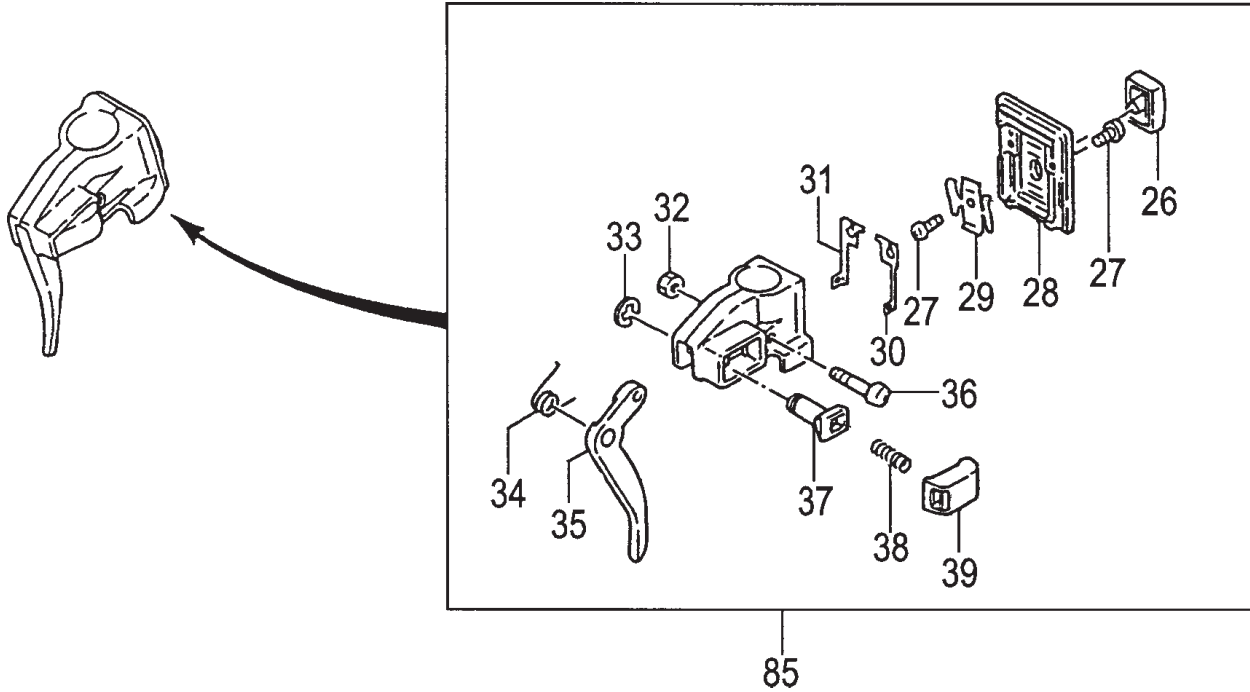
| ITEM | PART NUMBER | DESCRIPTION | QTY | COMMENTS |
|------|-------------|---------------------|-----|---|
| 6-0 | 4550440090 | CARBURETOR SET | 1 | Includes gasket |
| 6-1 | 51425100200 | SCREW, THROTTLE SET | 2 | |
| 6-4 | 54425164200 | STAY, ADJUST, CABLE | 1 | |
| 6-5 | 53925120200 | SWIVEL | 1 | |
| 6-6 | 5492516520 | WASHER, THRUST | 1 | |
| 6-7 | 48925100200 | RING, STOP | 1 | |
| 6-9 | 61425137200 | ADJUSTER, CABLE | 1 | |
| 6-10 | 55025100200 | O-RING | 1 | |
| 6-11 | 5992001W440 | MAIN JET #44 | 1 | |
| 6-12 | 99101060013 | NUT, 6 | 1 | |
| 6-13 | ~ ~ ~ | GASKET, PUMP | 1 | ~ Contained in Carb Repair Kit P/N 650-25124-900 (Not available individually) |
| 6-14 | ~ ~ ~ | DIAPHRAGM, PUMP | 1 | |
| 6-17 | 57825007200 | SCREEN, INLET | 1 | |
| 6-18 | 5752515380 | BODY, PUMP | 1 | |
| 6-19 | ~ ~ ~ | GASKET, DIAPHRAGM | 1 | |
| 6-20 | ~ ~ ~ | DIAPHRAGM, METERING | 1 | |
| 6-21 | 4762515120 | COVER, DIAPHRAGM | 1 | |
| 6-22 | 5482515120 | SCREW, SET | 4 | |
| 6-24 | 4310634C200 | GASKET, CLEANER | 1 | |
| 6-25 | 4422515180 | PUMP, PRIMING | 1 | |
| 6-26 | 44725108200 | BULB, PRIMING | 1 | |



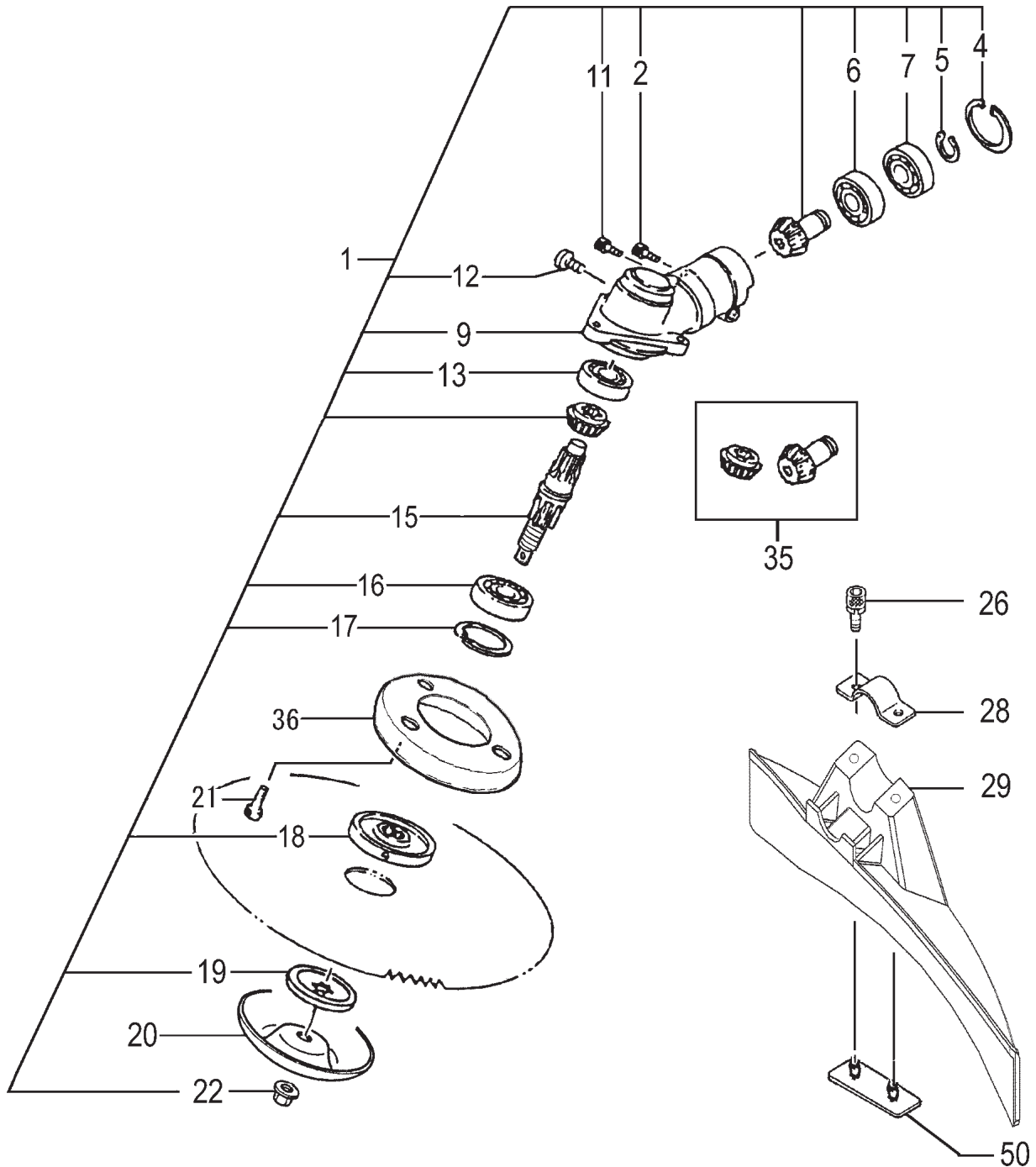
| ITEM | PART NUMBER | DESCRIPTION | QTY | COMMENTS |
|------|-------------|----------------------|-----|----------|
| 7-1 | 2893749180 | SHAFT,CLUTCH | 1 | |
| 7-2 | 99351032002 | RING,STOP,C-32 IN | 1 | |
| 7-3 | 99961600201 | BEARING,BALL,#6002ZZ | 1 | |
| 7-4 | 3303749120 | WASHER | 1 | |
| 7-5 | 99350015002 | RING,STOP,C-15 EX | 1 | |
| 7-6 | 99353045002 | RING,STOP,C-15,OUTER | 1 | |
| 7-7 | 3313749120 | CASE,CLUTCH | 1 | |
| 7-8 | 5993749120 | CUSHION | 1 | |
| 7-9 | 3603749120 | HOLDER,PIPE | 1 | |
| 7-10 | 99436050101 | SCREW,5X10WS | 1 | |
| 7-11 | 99461060304 | BOLT,HEX,6x30/S | 5 | |
| 7-15 | 19805015800 | CLAMP,CORD | 1 | |
| 7-26 | 2743749180 | CORD | 1 | |



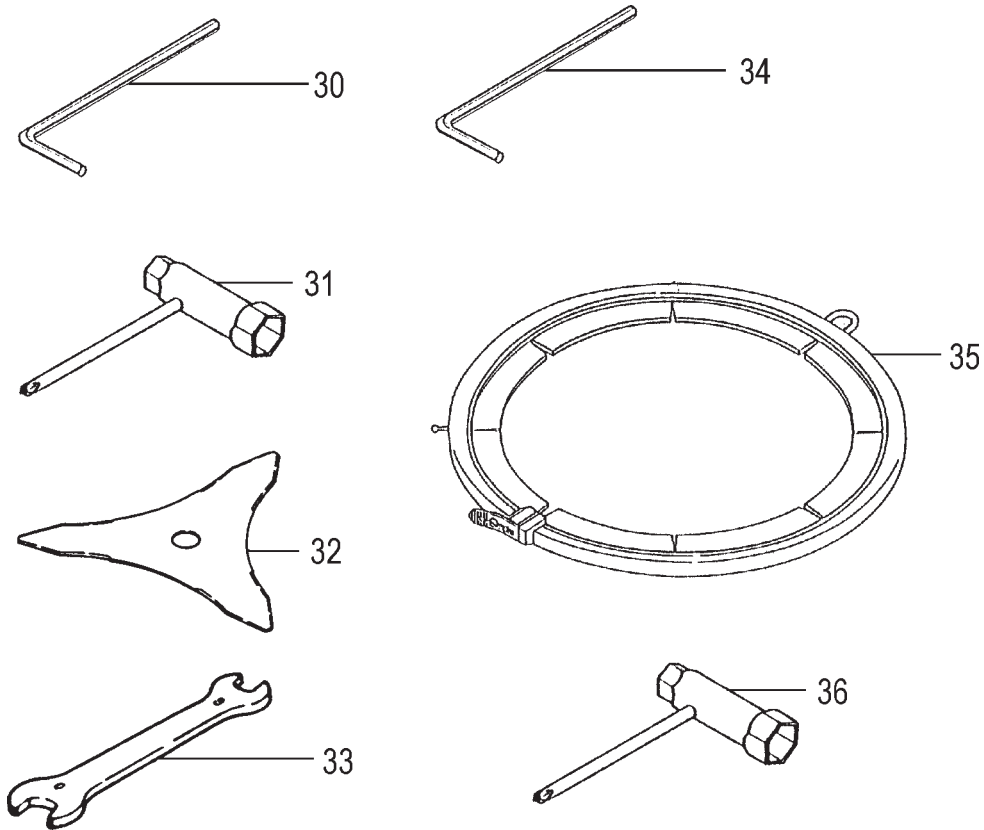
| ITEM | PART NUMBER | DESCRIPTION | QTY | COMMENTS |
|------|-------------|------------------------|-----|----------|
| 8-1 | 3433749120 | SHAFT,DRIVE | 1 | |
| 8-2 | 3413785080 | SHAFT,DRIVE | 1 | |
| 8-3 | 3473785090 | BUSHING ASS'Y | 5 | |
| 8-16 | 3353836080 | HANGER | 1 | |
| 8-17 | 3353825390 | RING,STRAP | 1 | |
| 8-18 | 3373836080 | HANGER BRACKET | 1 | |
| 8-19 | 99416050252 | SCREW,5X25WS | 1 | |
| 8-60 | 5003749120 | HANDLE,L & R | 2 | |
| 8-62 | 5033754020 | GRIP,RIGHT | 1 | |
| 8-63 | 1653759020 | GRIP,HANDLE | 1 | |
| 8-64 | 99461050254 | BOLT,HEX HOLE,5X25S | 4 | |
| 8-65 | 5063844720 | BRACKET,HANDLE,A | 1 | |
| 8-66 | 5073844720 | BRACKET,HANDLE,B | 1 | |
| 8-68 | 5103749120 | CUSHION | 1 | |
| 8-69 | 5083844720 | BRACKET,HANDLE,C | 1 | |
| 8-71 | 99461050304 | BOLT,HEX,5X30S | 2 | |
| 8-73 | 17837108800 | CORD,STOP | 1 | |
| 8-74 | 1983385120 | CLAMP,WIRE | 2 | |
| 8-79 | 8853780580 | WIRE,THROTTLE | 1 | |
| 8-80 | 4993722520 | GROMMET,PIPE | 1 | |
| 8-81 | 1641007001 | TUBE,PROTECTION,10x700 | 1 | |
| 8-91 | 746291 | SHOULDER HARNESS ASSY | 1 | |



| ITEM | PART NUMBER | DESCRIPTION | QTY | COMMENTS |
|------|-------------|----------------------|-----|----------|
| 9-26 | 1623710120 | SWITCH,STOP | 1 | |
| 9-27 | 99342030081 | SCREW,TAPPING,3X8 | 3 | |
| 9-28 | 25937101200 | BASE,STOP SWITCH | 1 | |
| 9-29 | 26237101200 | SPRING,STOP SWITCH | 1 | |
| 9-30 | 17737101200 | TERMINAL,EARTH B | 1 | |
| 9-31 | 17637101200 | TERMINAL,EARTH A | 1 | |
| 9-32 | 99186050000 | NUT,LOCK,5 | 1 | |
| 9-33 | 99355060001 | RING,STOP,6 | 1 | |
| 9-34 | 83237101200 | SPRING,RETURN | 1 | |
| 9-35 | 88037101200 | LEVER,THROTTLE | 1 | |
| 9-36 | 99431050251 | SCREW,S.,5X25 | 1 | |
| 9-37 | 85337101200 | SHAFT,LOCK BUTTON | 1 | |
| 9-38 | 95837101200 | SPRING,LOCK,BUTTON | 1 | |
| 9-39 | 95637101200 | BUTTON,LOCK | 1 | |
| 9-85 | 87037101900 | LEVER,THROTTLE ASS'Y | 1 | |



| ITEM | PART NUMBER | DESCRIPTION | QTY | COMMENTS |
|-------|-------------|----------------------|-----|----------|
| 10-1 | 3003749190 | GEAR CASE ASSY | 1 | |
| 10-2 | 99422060301 | BOLT,6x30PS | 1 | |
| 10-3 | 99351026002 | RING,STOP,IN,C-26 | 1 | |
| 10-5 | 99350010002 | RING,STOP,C-10 EX | 1 | |
| 10-6 | 99961600000 | BEARING,BALL,#6000 | 1 | |
| 10-7 | 99961600002 | BEARING,BALL,#6000Z | 1 | |
| 10-9 | 3003749120 | GEAR CASE | 1 | |
| 10-11 | 99415050121 | SCREW,5X12/PS | 1 | |
| 10-12 | 99021060080 | BOLT,6x8 | 1 | |
| 10-13 | 99961629000 | BEARING,BALL,#629 | 1 | |
| 10-14 | 3043330M20 | SHAFT,GEAR | 1 | |
| 10-16 | 99961620104 | BEARING,BALL,#6201DD | 1 | |
| 10-17 | 99351032002 | RING,STOP,C-32 IN | 1 | |
| 10-18 | 3103330M20 | HOLDER,CUTTER | 1 | |
| 10-19 | 3113330M20 | CAP,CUTTER HOLDER | 1 | |
| 10-20 | 3083330M20 | COVER,PROTECTION | 1 | |
| 10-21 | 99424050101 | BOLT,5x10S | 3 | |
| 10-22 | 3133330M20 | FIXING NUT | 1 | |
| 10-26 | 99481060254 | SCREW,HEX HOLE 6X25 | 2 | |
| 10-28 | 4423825320 | BRACKET,COVER | 1 | |
| 10-29 | 4413825320 | GUARD,SAFETY | 1 | |
| 10-35 | 3013749100 | GEAR-PINION SET | 1 | |
| 10-36 | 3033330M20 | COVER,GEAR CASE | 1 | |
| 10-50 | 4453825320 | HOLDER,SAFETY GUARD | 1 | |



| ITEM | PART NUMBER | DESCRIPTION | QTY | COMMENTS |
|-------|-------------|--------------------|-----|----------|
| 11-30 | 8132901460 | WRENCH,HEX 14 | 1 | |
| 11-32 | 8103749120 | BLADE,10x3 TOOTH | 1 | |
| 11-33 | 8012937491 | SPANNER,8x10 | 1 | |
| 11-34 | 8142937491 | WRENCH,HEX,5 | 1 | |
| 11-35 | 6153749120 | COVER,CUTTER | 1 | |
| 11-36 | 8262937491 | WRENCH,COMBI,17x19 | 1 | |



| ITEM | PART NUMBER | DESCRIPTION | QTY | COMMENTS |
|------|-------------|-------------|-----|----------|
| 12-2 | 92337400200 | DECAL | 1 | |