

# **Tanaka** Illustrated Parts Manual

Model Number:

**TBC-300SDH**

**GRASS TRIMMER/BRUSHCUTTER**

P/N 28579

Rev 001

Date 08-01-00



*Supplier To The Outdoor Power Equipment Industry*

ISM, Inc. • 1028 4<sup>th</sup> Street SW, Ste "B" • Auburn, WA 98001 • Phone: (253) 333-1200 • Fax: (253) 333-1212

## TBC-300SDH

Dual Handle Trimmer / Brush Cutter



### Features / Benefits

- **29cc, 1.6 hp engine** features two piston rings and a stress relieved, chrome plated cylinder for long engine life.
- **Split Dual Handles** help reduce fatigue and provides more control during long periods of use.
- **Heavy-duty anti-vibration system** includes padded front handles and heavy-duty rubber mount between the engine and shaft.
- **Two Cutting Options Standard 5" Semi-Automatic head and 9" - 80 saw blade** provide the versatility to go from grass trimming to small sapling cutting quickly and easily.
- **1 / 2 / 5 Warranty Coverage** provides **One-Year** coverage for professionals, **Two-Year** Coverage for Homeowners, and **Five Years** on the Electronic Ignition Module.

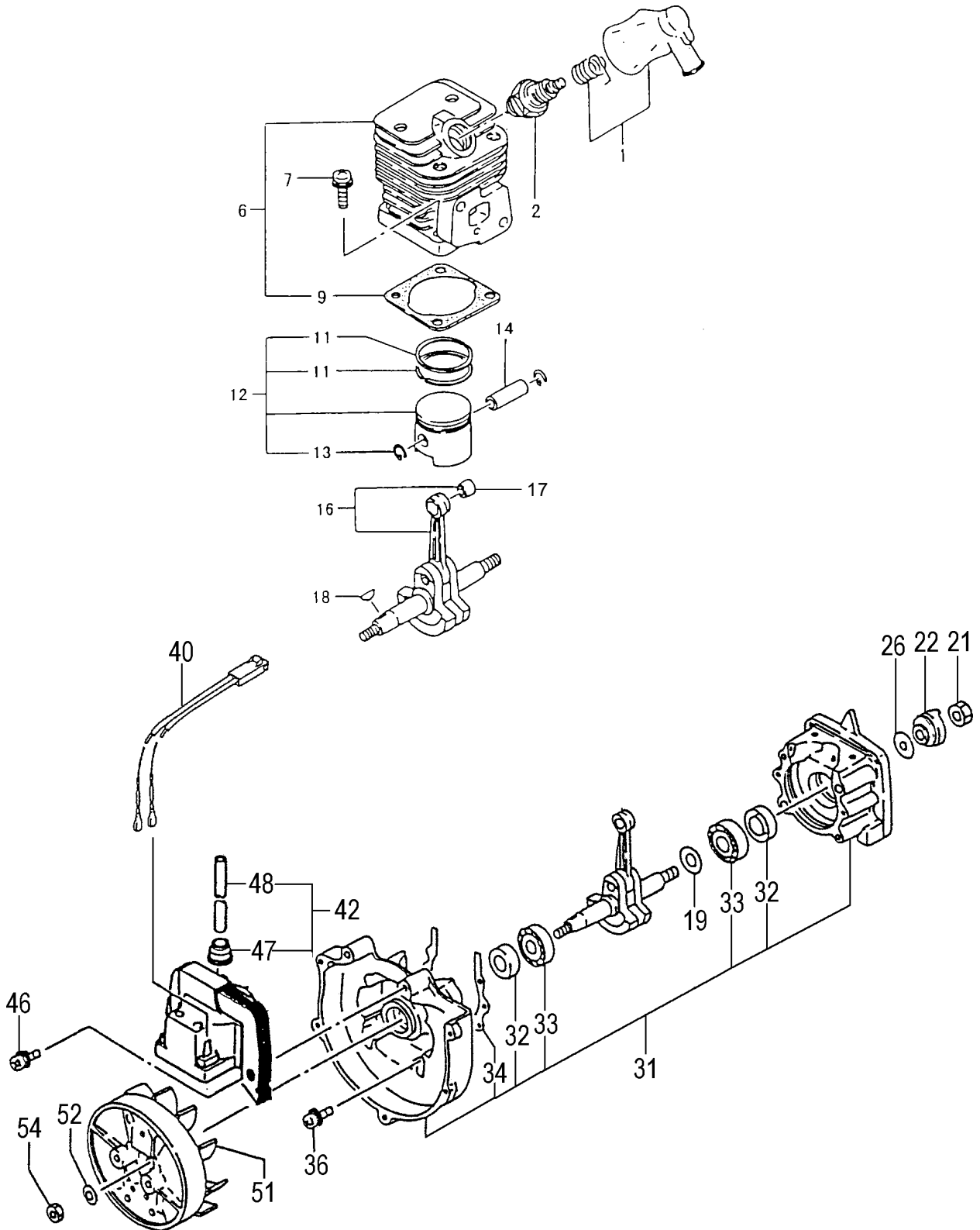
#### Specifications

Engine Displacement cc (cu. in.)	29 (1.8)
Power (h.p.)	1.6
Cylinder	Chrome Plated, Stress Relieved
Carburetion	Walbro Diaphragm with Primer
Ignition System	Transistorized Electronic
Fuel Tank Capacity / fl. oz. (cc)	28.7 (850)
Anti-Vibration	Engine Mount & Handle
Clutch System	Heavy-Duty Centrifugal
Shaft Support	5 Shaft Bearings
Drive System	7mm Solid Steel Shaft
Standard Cutting Head	5" Semi-Automatic Feed (.095" Line)
Standard Cutting Blade	9" - 80 Tooth Saw Blade
Dry Weight / lbs. (kg) w/head	14.2 (6.5)

#### Optional Accessories:

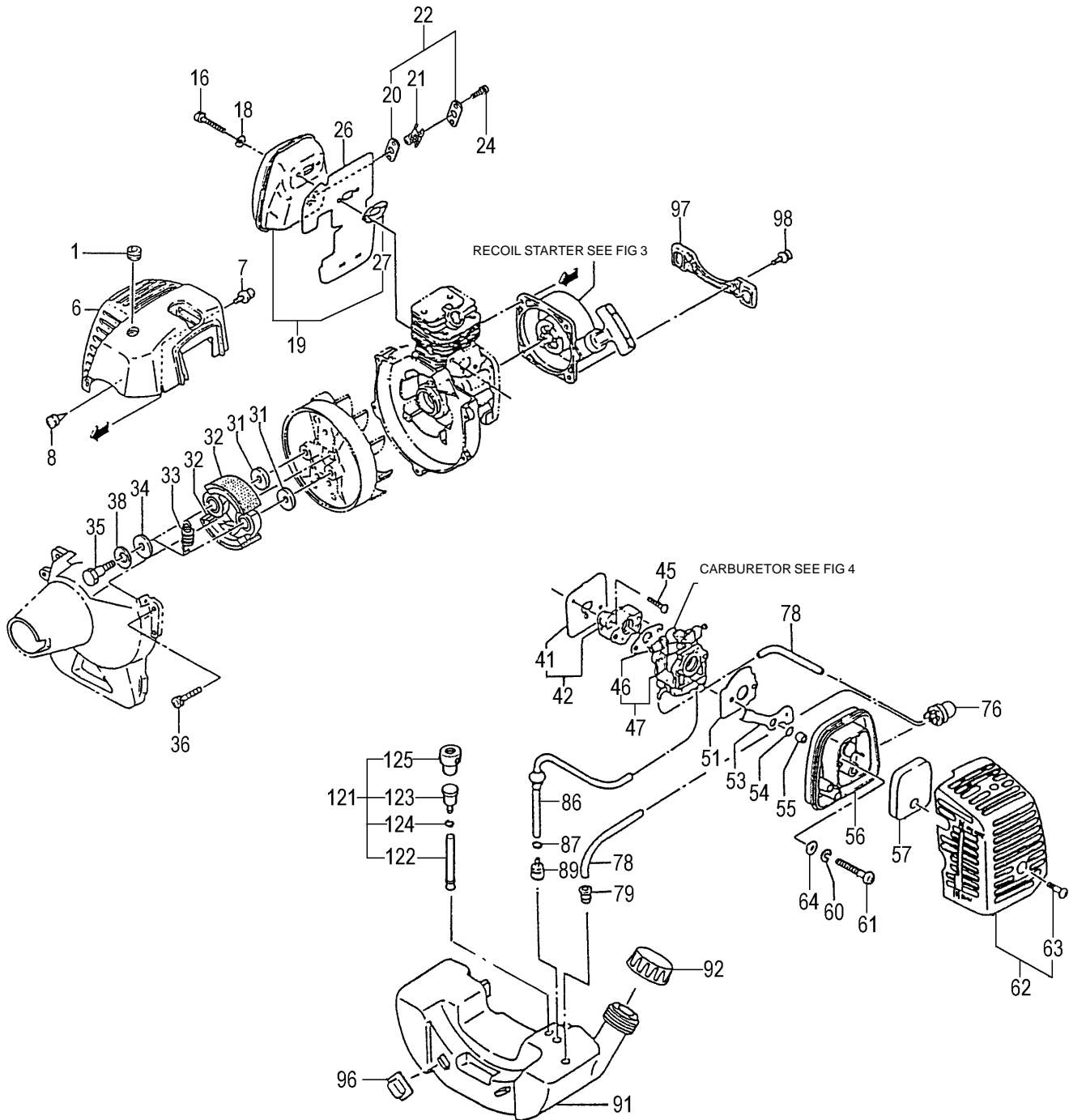
ORDER #	DESCRIPTION
746251	BRAIN® Auto feed head (TH-95)
746751	BRAIN® Auto feed head (TH-97)
746280	Aluminum fixed line head
746290	Aluminum manual feed head
746353	6" semi-auto head
746191	Single shoulder strap
746291	Deluxe shoulder harness
TMC-200	Cultivator attachment
Varies	Copolymer Nylon Cutting line
Varies	Perfect Mix 2-Cycle Engine Oil

All data and specifications are subject to change without notice  
For more information, contact:



### ENGINE / CYLINDER, PISTON, CRANKSHAFT • FIGURE 1

ITEM	PART NUMBER	DESCRIPTION	QTY	COMMENTS
1-1	1570097A900	CAP, SPARK PLUG, ASS'Y	1	
1-2	01802233200	PLUG, SPARK	1	
1-6	0010128090	SET, CYLINDER	1	
1-7	99414050161	SCREW, 5X16/S	4	
1-9	0170128020	GASKET, CYLINDER	1	Includes cylinder gasket
1-11	0410170020	RING, PISTON	2	
1-12	0300128090	SET, PISTON	1	Includes rings, and circlips
1-13	03900000201	CIRCLIP, PISTON PIN	2	
1-14	03701700200	PIN, PISTON	1	
1-16	0460165A81	CRANKSHAFT	1	
1-17	99962091325	BEARING, NEEDLE, F-910	1	
1-18	06810100200	KEY, WOODRUFF, 3X13X4.5	1	
1-19	33000200210	SHIM, 12.2X19X.10	V	*Shims are "as needed" to obtain
1-19	33000200220	SHIM, 12.2X19X.15	V	correct side clearance
1-19	33000200230	SHIM, 12.2X19X.20	V	
1-19	33000200240	SHIM, 12.2X19X.30	V	
1-21	99101080011	NUT, 8	1	
1-22	79801630200	PULLEY, STARTER	1	
1-26	35910112203	WASHER, CLUTCH B	1	
1-31	0720128091	CRANKCASE ASSY	1	*Crankcase assy includes bearings, seals
1-32	99966122240	SEAL, OIL, #12227	2	and gaskets.
1-33	99961600100	BEARING, BALL, #6001	2	
1-34	0900060120	GASKET, CRANKCASE	1	
1-36	99414050251	SCREW, 5X25	4	
1-40	1910129G90	ASSY, LEAD WIRE	1	
1-42	1672052190	COIL, IGNITION	1	
1-46	99416050201	SCREW, 5X20/WS	2	
1-47	56020517200	CAP, RUBBER	1	
1-48	26420516200	LEAD, HIGH TENSION	1	
1-51	1552050980	ROTOR, MAGNETO	1	
1-52	99200080011	WASHER, 8	1	
1-54	99101080011	NUT, 8	1	

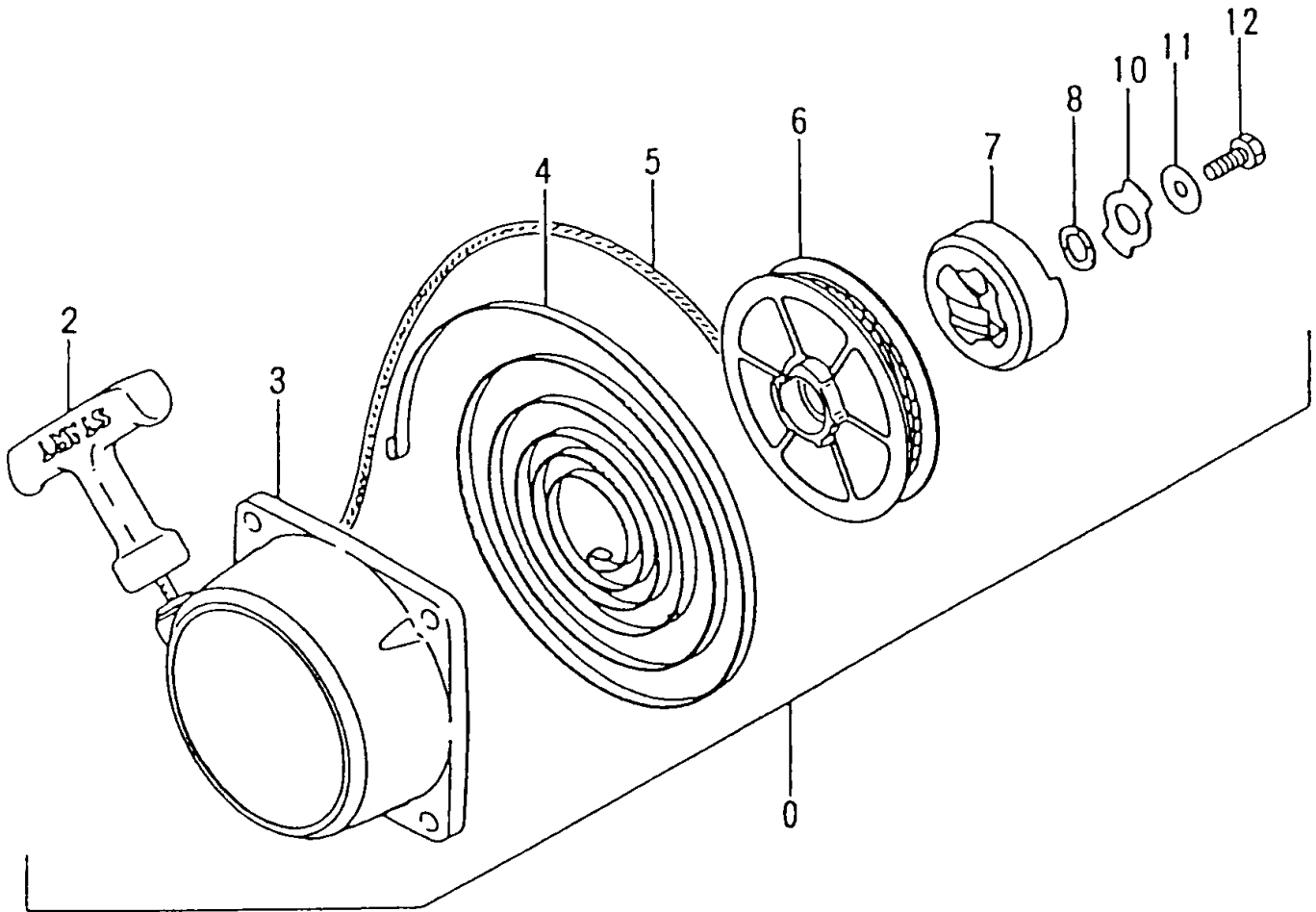


### CLUTCH, MUFFLER, AIR CLEANER, FUEL SYSTEM • FIGURE 2

ITEM	PART NUMBER	DESCRIPTION	QTY	COMMENTS
2-1	20201003201	GROMMET,SECONDARY CORD	1	
2-6	7380097A21	PROTECTOR,MUFFLER	1	
2-7	99415040222	SCREW,PS,4X22	2	
2-8	99072045164	SCREW,TAPPING,4.5X16	2	
2-16	99053060503	SCREW,HEX,6X50	2	
2-18	99201060011	WASHER,6	2	
2-19	7040097A91	SET,MUFFLER	1	
2-20	75104200201	GASKET,MUFFLER	1	
2-21	7320631A200	ARRESTER,SPARK	1	
2-22	7340099K90	PIPE,EXHAUST	1	
2-24	99434040081	SCREW,4X8/S	2	
2-26	1330097A21	SHIELD,HEAT	1	
2-27	7370165A201	GASKET,MUFFLER	1	
2-31	35902103200	WASHER,CLUTCH,B	2	
2-32	29001620800	SHOE,CLUTCH	2	
2-33	3420630B200	SPRING,CLUTCH	1	
2-34	3480602R200	WASHER,CLUTCH A	2	
2-35	3570075T200	BOLT,STEP	2	
2-36	99416050162	SCREW,5X16/WS	3	
2-38	99205080030	WASHER,8	2	
2-41	4030097A21	GASKET,INLET MANIFOLD	1	
2-42	4040097A90	SET,CARB INSULATOR	1	
2-45	99416050241	SCREW 5x24WS	2	
2-46	4020602K21	GASKET,CARBURETOR	1	
2-47	4550129A90	SET,CARBURETOR	1	
2-51	4360162V20	BASE,CLEANER	1	
2-53	5280097A21	LEVER,CHOKE	1	
2-54	99967008012	O-RING,S-8	1	
2-55	4700602N200	COLLAR,CLEANER	1	
2-56	4230637C800	BODY,CLEANER	1	
2-57	4460637C200	ELEMENT,CLEANER	1	
2-60	99210050012	WASHER,S,5	2	
2-61	99011050602	SCREW,5X60	2	
2-62	4520165V90	COVER,CLEANER ASS'Y	1	
2-63	3800637C200	BOLT,CLEANER COVER	1	
2-64	99200050011	WASHER,SMALL,5	2	

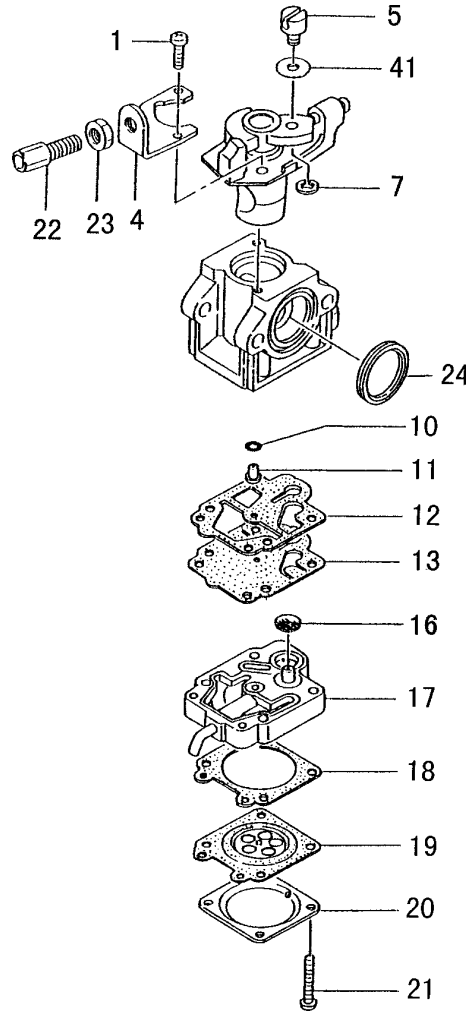
## CLUTCH, MUFFLER, AIR CLEANER, FUEL SYSTEM • FIGURE 2

ITEM	PART NUMBER	DESCRIPTION	QTY	COMMENTS
2-76	44225143800	PUMP, PRIMING ASS'Y	1	
2-78	70002504080	PIPE, FUEL, 2.5X4X80	2	
2-79	53432710200	GROMMET, FUEL PIPE	1	
2-86	2230162V900	PIPE, FUEL, ASS'Y	1	
2-87	68000731201	CLIP 6.3	1	
2-89	6750404280	FILTER, FUEL	1	
2-91	5910129420	TANK, FUEL	1	
2-92	5950656B90	CAP, FUEL BLACK, NON VENT	1	
2-96	65500940201	CUSHION, FUEL TANK	4	
2-97	6530097A20	TANK BRACKET	1	
2-98	99415040222	SCREW, PS, 4X22	4	
2-121	5640660191	AIR VENT VALVE PIPE	1	
2-122	5650660121	AIR VENT PIPE	1	
2-123	6463252L90	AIR VENT VALVE ASS'Y	1	
2-124	68000206200	CLIP 5.5	1	
2-125	5610007020	AIR VENT RUBBER CAP	1	

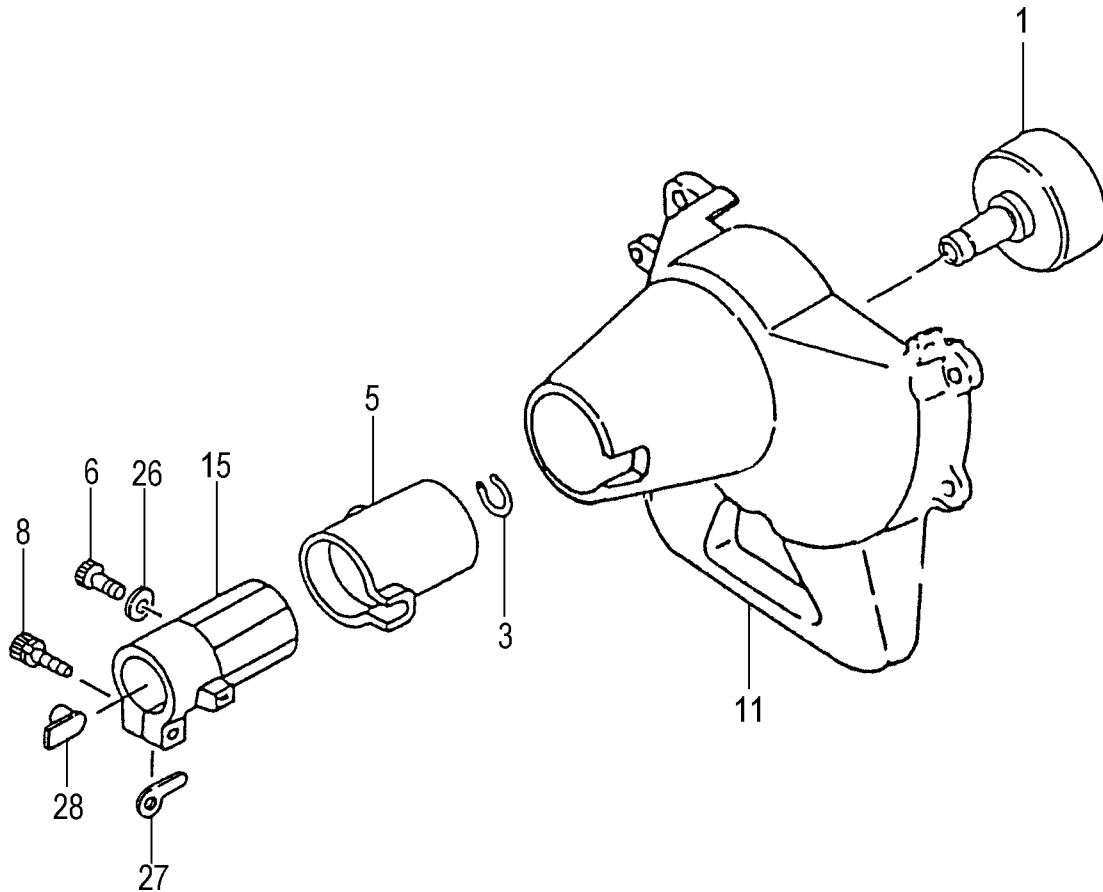


ITEM	PART NUMBER	DESCRIPTION	QTY	COMMENTS
3-0	7620094090	STARTER, RECOIL ASS'Y	1	
3-2	78500940200	HANDLE, STARTER	2	
3-3	77200940801	BODY, STARTER	1	
3-4	78000940200	SPRING, RECOIL	1	
3-5	78300940200	ROPE, STARTER	1	
3-6	77400940200	REEL, STARTER ROPE	1	Prior to S/N V218191
3-6	7740163021	REEL, STARTER ROPE	1	S/N V218191 and after
3-7	7880163021	PAWL, STARTER	1	
3-8	80105015200	WASHER, STARTER PULLEY	1	
3-10	8370501521	PLATE, FRICTION	1	
3-11	82205015200	SHIM, STARTER PULLEY	1	Prior to S/N V218191
3-11	8220423020	SHIM, STARTER PULLEY	1	S/N V218191 and after
3-12	8390423020	BOLT, SET	1	

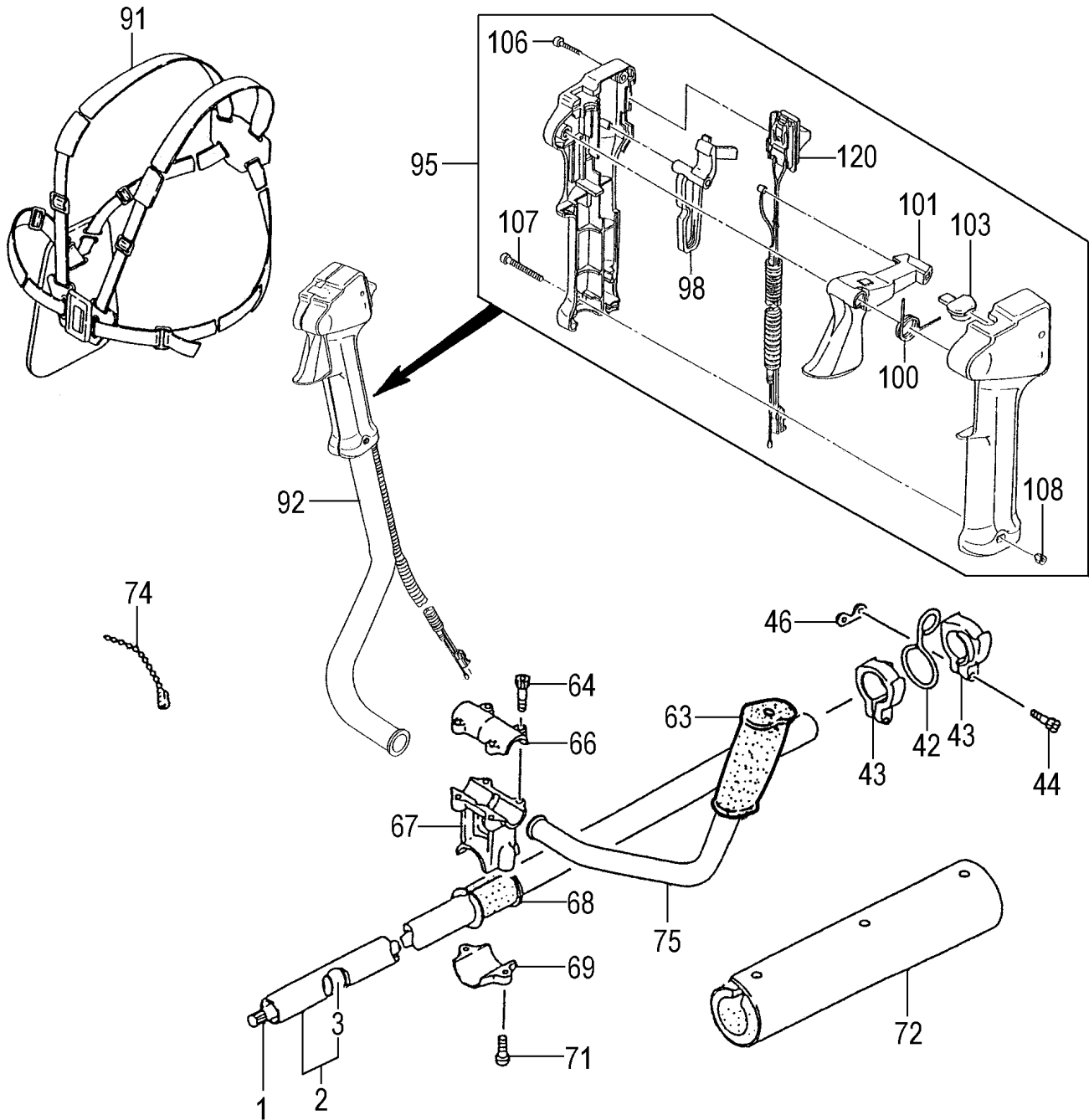




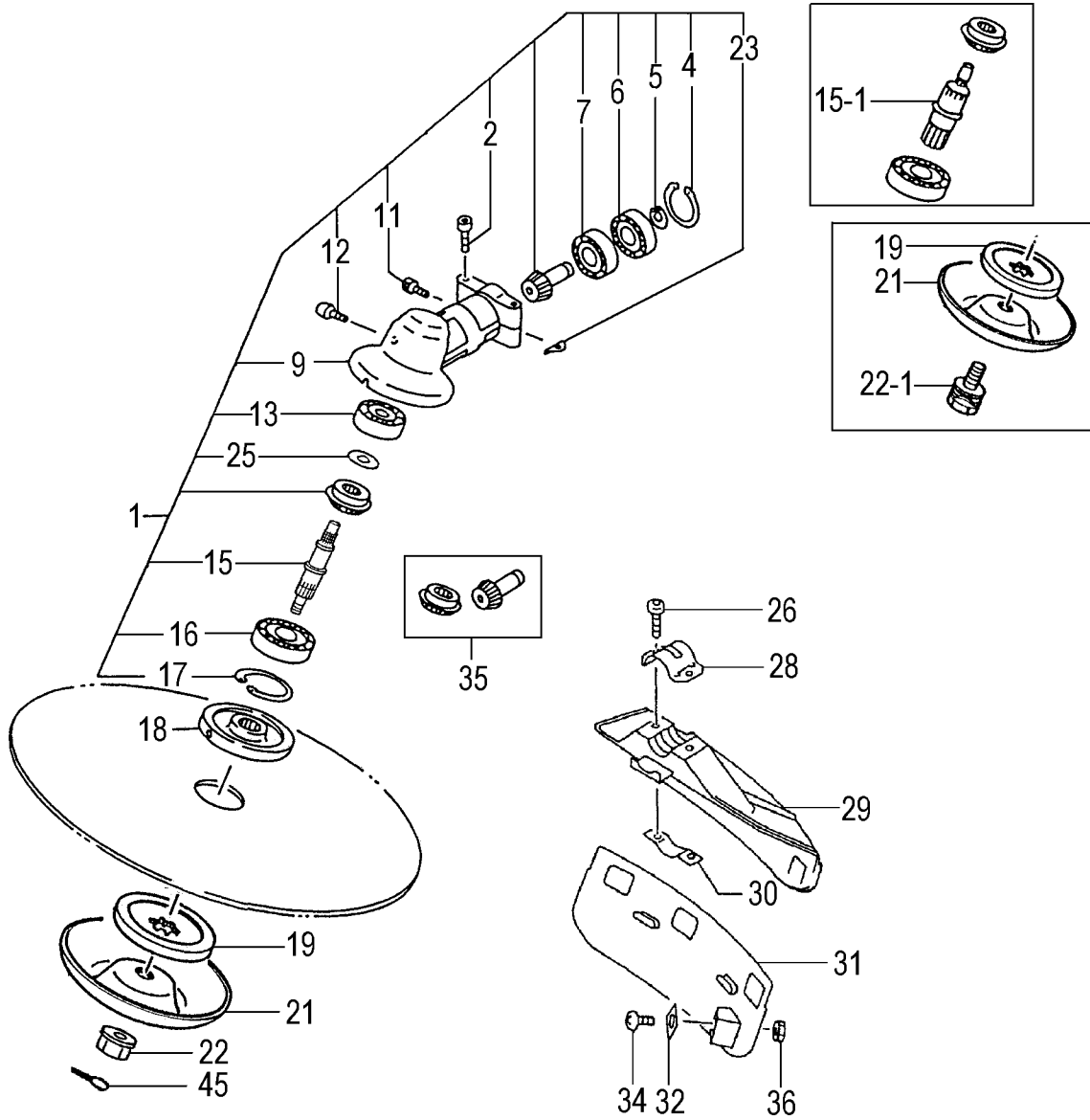
ITEM	PART NUMBER	DESCRIPTION	QTY	COMMENTS
4-0	4550129A90	CARBURETOR	1	
4-1	51425100200	SCREW, THROTTLE SET	2	
4-4	54425164200	STAY, ADJUST, CABLE	1	* Contained in Carb Repair Kit P/N 650-25124-900 (Not available individually)
4-5	53925120200	SWIVEL	1	
4-7	48925100200	RING, STOP	1	
4-10	55025100200	O-RING	1	
4-11	599200AW42	JET, MAIN, #42	1	
4-12	~ ~ ~	*GASKET, PUMP	1	
4-13	~ ~ ~	*DIAPHRAGM, PUMP	1	
4-16	~ ~ ~	*SCREEN, INLET	1	
4-17	5752514780	BODY, PUMP ASS'Y	1	
4-18	~ ~ ~	*GASKET, DIAPHRAGM	1	
4-19	~ ~ ~	*DIAPHRAGM, METERING	1	
4-20	47625004200	COVER, DIAPHRAGM	1	
4-21	54825101200	SCREW, SET	4	
4-22	61425137200	ADJUSTER, CABLE	1	
4-23	99101060013	NUT, 6	1	
4-24	4310634C200	GASKET, CLEANER	1	
4-41	5492516520	WASHER, THRUST	1	



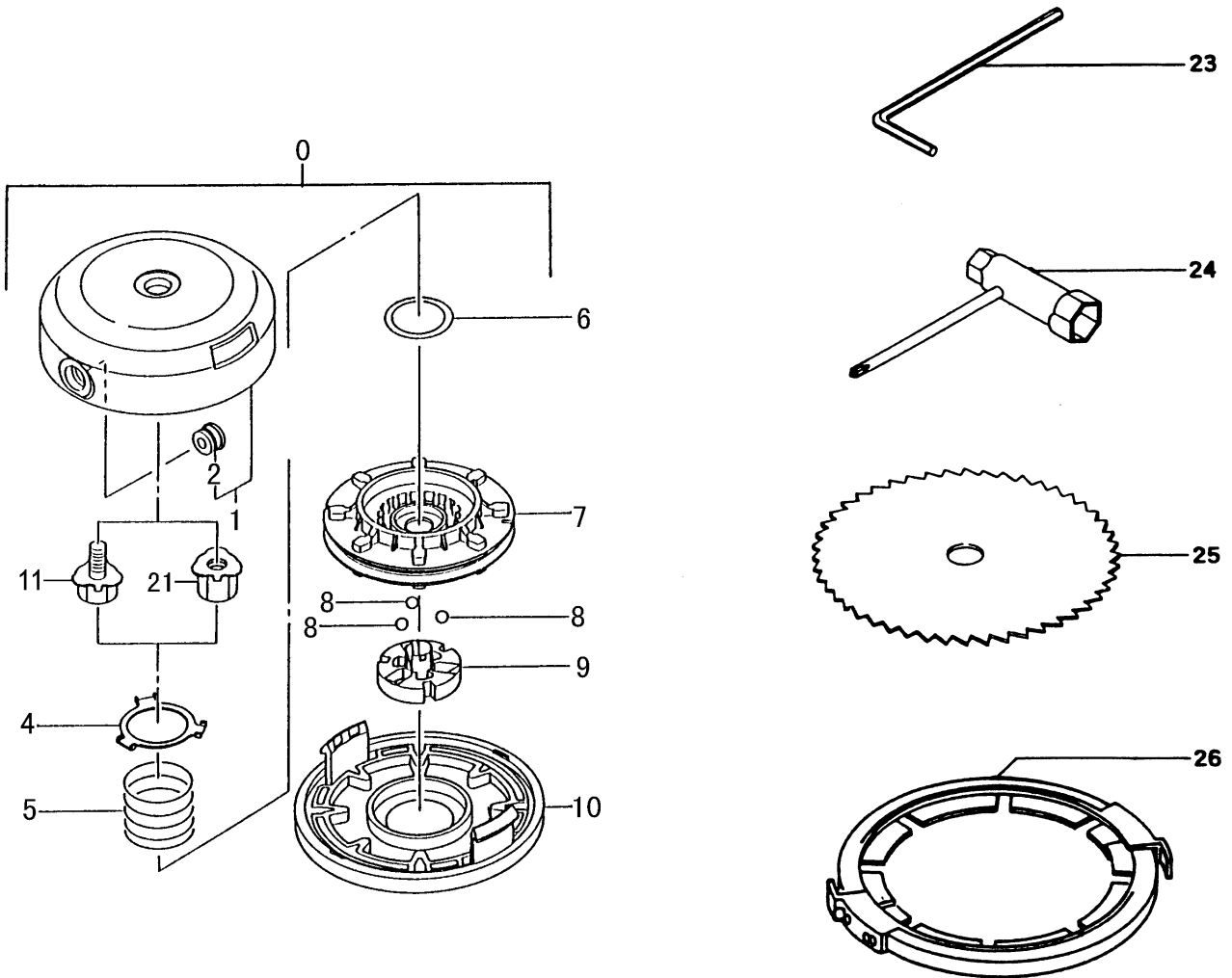
ITEM	PART NUMBER	DESCRIPTION	QTY	COMMENTS
5-1	2890098080	DRUM,CLUTCH	1	
5-3	99350012002	RING,STOP,C-12 EX	1	
5-5	5990098021	CUSHION,RUBBER	1	
5-6	99051050163	BOLT,HEX,5X16	1	
5-8	99461050254	BOLT,HEX HOLE,5X25S	1	
5-11	11201280812	SET,FAN CASE	1	*Includes Bearing
5-15	3600129020	HOLDER,PIPE 26 DIA	1	
5-26	99201050061	WASHER,5	1	S/N T252658 and after
5-27	3243735020	WASHER,GEAR CASE	1	S/N T252658 and after
5-28	3610099020	FITTING,METAL	1	S/N T252658 and after



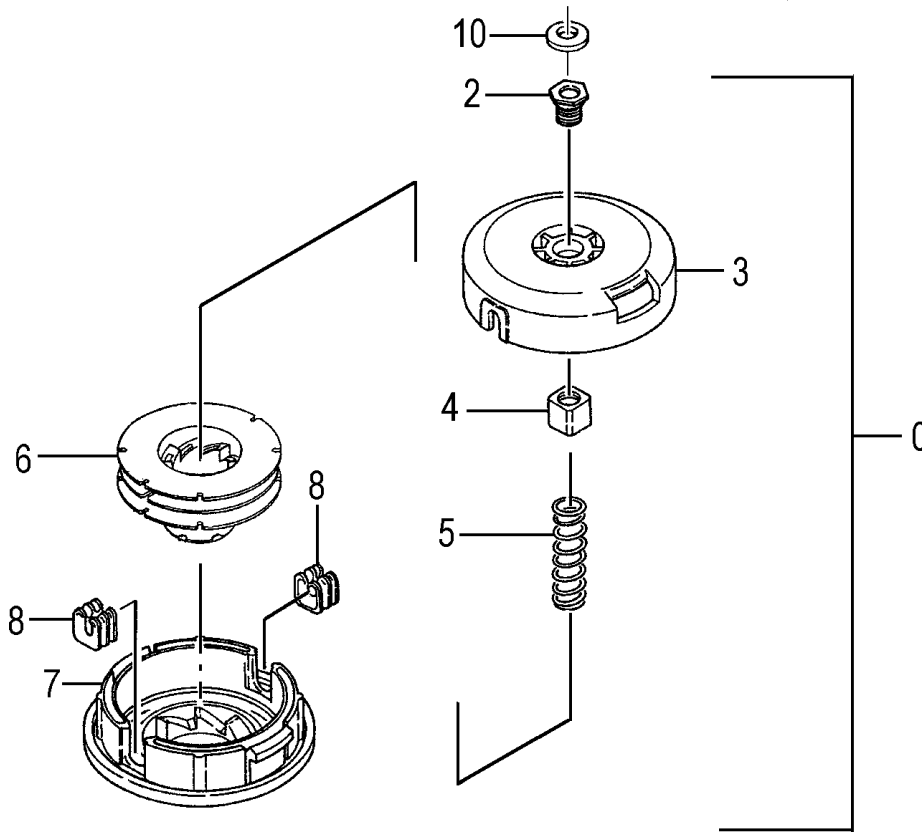
ITEM	PART NUMBER	DESCRIPTION	QTY	COMMENTS
6-1	34337300200	SHAFT,DRIVE	1	
6-2	3413737880	PIPE,DRIVE SHAFT	1	
6-3	34737356900	BUSHING,DRIVE SHAFT	5	
6-42	33537307200	METAL,LIFTING	1	
6-43	33437352210	COLLAR,LIFTING METAL	2	
6-44	99462050304	BOLT,HEX HOLE 5x30.P	2	
6-46	31537304200	NUT,SPECIAL	1	
6-63	1653759020	GRIP,HANDLE	1	
6-64	99461050254	BOLT,HEX HOLE,5X25S	4	
6-66	50637304211	BRACKET,HANDLE,A	1	Before S/N V243830
6-66	50637623200	BRACKET,HANDLE,A	1	S/N V243831 and after
6-67	50737304203	BRACKET,HANDLE,B	1	Before S/N V057070
6-67	5073810020	BRACKET,HANDLE,B	1	From S/N V057071 to S/N V243830
6-67	5073785020	BRACKET,HANDLE,B	1	S/N V243831 and after
6-68	5103735220	RUBBER,CUSHION	1	Before S/N V057070
6-69	50837304211	BRACKET,HANDLE,C	1	Before S/N V057070
6-69	5083758720	BRACKET,HANDLE,26 DIA	1	From S/N V057071 to S/N V243830
6-69	5083758920	BRACKET,HANDLE,C	1	S/N V243831 and after
6-71	99481060254	SCREW,HEX HOLE 6X25	2	
6-72	3363341182	CUSHION	1	
6-74	4603311120	CLAMP."B"	1	
6-75	5023367421	HANDLE,LEFT	1	Before S/N V243830
6-75	5023741521	HANDLE,LEFT	1	S/N V243831 and after
6-91	746291	SHOULDER STRAP	1	
6-92	5013810220	HANDLE,RIGHT	1	Before S/N V243830
6-92	5013782220	HANDLE,RIGHT	1	S/N V243831 and after
6-95	8703840190	ASSY,THROTTLE LEVER	1	
6-98	2533840020	LEVER,SAFETY	1	
6-100	8323840020	SPRING,RETURN	1	
6-101	8803840120	LEVER,THROTTLE	1	
6-103	3223840020	GROMMET	1	
6-106	9934604020	SCREW, 4X20	2	
6-107	99431050303	SCREW 5X30 BLACK	1	
6-108	99101050043	NUT,5	1	
6-120	8853840180	WIRE, THROTTLE	1	INCLUDES STOP SWITCH ASSEMBLY



ITEM	PART NUMBER	DESCRIPTION	QTY	COMMENTS
7-1	3003713490	ASSY,GEAR CASE,26 MM	1	Before S/N V057070
7-1	3003758790	ASSY,GEAR CASE,26MM	1	From S/N V057071 to S/N V243830
7-1	3003748090	ASSY,GEAR CASE,26MM	1	S/N V243831 and after
7-2	99461050254	BOLT,HEX HOLE,5X25S	2	
7-4	99351024002	RING,STOP,C-28,IN	1	Before S/N V243830
7-4	99351022002	RING,STOP,C-22,INNER	1	S/N V243831 and after
7-5	99350009002	RING,STOP,C9	1	Before S/N V243830
7-5	99350010002	RING,STOP,C10,OUTER	1	S/N V243831 and after
7-6	99961609002	BEARING,BALL,#609Z	1	Before S/N V243830
7-6	99961690002	BEARING,BALL,#6900Z	1	S/N V243831 and after
7-7	99961609000	BEARING,BALL,#609	1	Before S/N V243830
7-7	99961690000	BEARING,BALL,#6900ST	1	S/N V243831 and after
7-9	3003330B20	CASE,GEAR	1	Before S/N V243830
7-9	3003748020	CASE,GEAR	1	S/N V243831 and after
7-11	99051050103	BOLT,HEX.HOLE,5X10	1	Before S/N V243830
7-11	99461050124	BOLT,HEX.HOLE,5X12S	1	S/N V243831 and after
7-12	99423080100	BOLT,8X10	1	Before S/N V243830
7-12	3163815020	BOLT,FITTING,M8	1	S/N V243831 and after
7-13	99961628000	BEARING,BALL,#628	1	Before S/N V243830
7-13	99961609000	BEARING,BALL,#609	1	S/N V243831 and after
7-15-1	3043713420	SHAFT,GEAR	1	Before S/N V057070
7-15	3043810020	SHAFT,GEAR	1	From S/N V057071 to S/N V243830
7-15	3043815020	SHAFT,GEAR	1	S/N V243831 and after
7-16	99961620103	BEARING,BALL #6201D	1	
7-17	99351032002	RING,STOP,C-32 IN	1	
7-18	3103810020	HOLDER,CUTTER	1	Before S/N V243830
7-18	3103815020	HOLDER,CUTTER	1	S/N V243831 and after
7-19	3113810020	CAP,CUTTER HOLDER	1	Before S/N V243830
7-19	3113815020	CAP,CUTTER HOLDER	1	S/N V243831 and after
7-21	30833410200	COVER,PROTECTION,B	1	Before S/N V057070
7-21	3083786120	COVER,PROTECTION,B	1	From S/N V057071 to S/N V243830
7-21	3083815020	COVER,PROTECTION,B	1	S/N V243831 and after
7-22-1	3123338620	BOLT,FIXING,L.H.,FLANGED	1	Before S/N V057070
7-22	3133810020	NUT,FIXING L.H. 10X1.25	1	From S/N V057071 to S/N V243830
7-22	3133815020	NUT,FIXING M10X1.25	1	S/N V243831 and after
7-23	3243735020	WASHER,GEAR CASE	1	
7-25	0673713420	WASHER,SPECIAL	1	
7-26	99481060254	SCREW,HEX HOLE 6X25	2	
7-28	4423369921	BRACKET,SAFETY GUARD	1	
7-29	4413738020	GUARD,SAFETY	1	
7-30	4453738020	HOLDER,GUARD	1	
7-31	4473738020	EXTENSION,GUARD	1	
7-32	7973738021	LIMITER,LINE	1	
7-34	99414050121	SCREW,S,5X12	1	
7-35	3013713400	SET,GEAR PINION	1	Before S/N V243830
7-35	3013815000	SET,GEAR PINION	1	S/N V243831 and after
7-36	99101050011	NUT,5	1	
7-45	3273718090	PIN,COTTER 2X20 (10 PK)	1	S/N V057071 and after

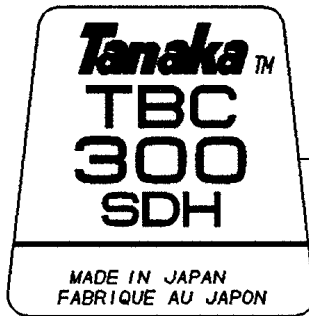


ITEM	PART NUMBER	DESCRIPTION	QTY	COMMENTS
8-0	746751	HEAD, BRAIN 2000	1	Units prior to S/N V243831
8-1	7863381091	CUTTING BODY ASSY	1	
8-2	7883307120	EYELET	1	
8-4	7853381020	BASE,ADJUSTMENT	1	
8-5	7933381022	SPRING,REEL,YELLOW	1	
8-6	7923381020	WASHER,ADJUSTMENT	1	
8-7	7873381020	REEL	1	
8-8	6733560020	BALL,STEEL	3	
8-9	7903381020	SLIDER,REEL	1	
8-10	7893381020	CAP,BODY	1	
8-11	3143381280	BOLT,MOUNTING	1	Before S/N V057070
8-21	3153381080	NUT,10x1.25,LHF	1	S/N V057071 and after
8-23	81320000200	WRENCH,HEX,4	1	
8-24	8262000080	SPANNER,COMBI,17X19	1	
8-25	746104	BLADE,9X80,1.6t	1	S/N V057071 and after
8-26	6153722420	COVER, CUTTER	2	

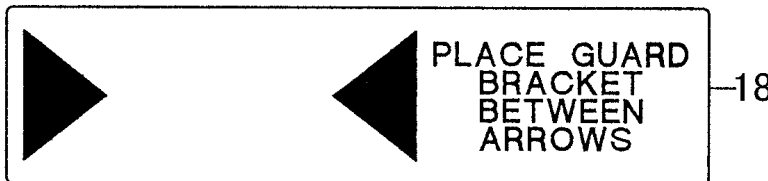


ITEM	PART NUMBER	DESCRIPTION	QTY	COMMENTS
0	746451	HEAD, SEMI-AUTO 5"	1	After serial number V243831
2	3563383B20	ADAPTER, 10X1.25 LHF	1	
3	78633830200	BODY, CUTTING	1	
4	31533830200	NUT, SPECIAL	1	
5	79333830200	SPRING	1	
6	78733830200	REEL	1	
7	78933830200	CAP, BODY	1	
8	78833830200	EYELET	2	
10	99201120011	WASHER, 12	1	After serial number V243831





**⚠ WARNING!** •Read the Operator's Manual and follow all warnings and safety instructions. Failure to do so can result in serious injury to the operator and/or bystanders. •Objects may be thrown or ricochet in all directions. **ALWAYS WEAR EYE PROTECTION.** •Keep bystanders at least 50 feet (15 m) away. •To reduce the chance of hearing loss, always wear ear protection. •To reduce the risk of injury from loss of control, never use a metal blade on a curved shaft grass trimmer. Never use a metal blade on any brushcutter without barrier bar or bicycle handle configuration and safety strap. •Use of a blade may cause a sudden sideways, forward or backward motion of the brushcutter when the blade contacts a solid object. See Owner's manual for model specific details.



ITEM	PART NUMBER	DESCRIPTION	QTY	COMMENTS
9-1	9060129420	PLATE,NAME TBC-300SDH	1	
9-3	95037900200	DECAL,PRO-FORCE A	1	
9-4	9233370020	DECAL,LEVEL	1	
9-5	95137503200	DECAL,PRO-FORCE B	1	
9-10	9193738F20	DECAL,CAUTION,A	1	
9-18	9233728620	DECAL,LEVEL	1	