

Tanaka Illustrated Parts Manual

Model Number:

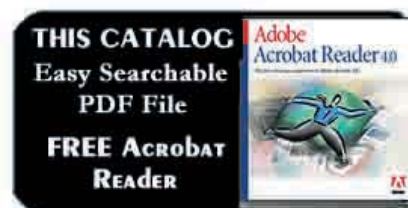
TBC-280

GRASS TRIMMER

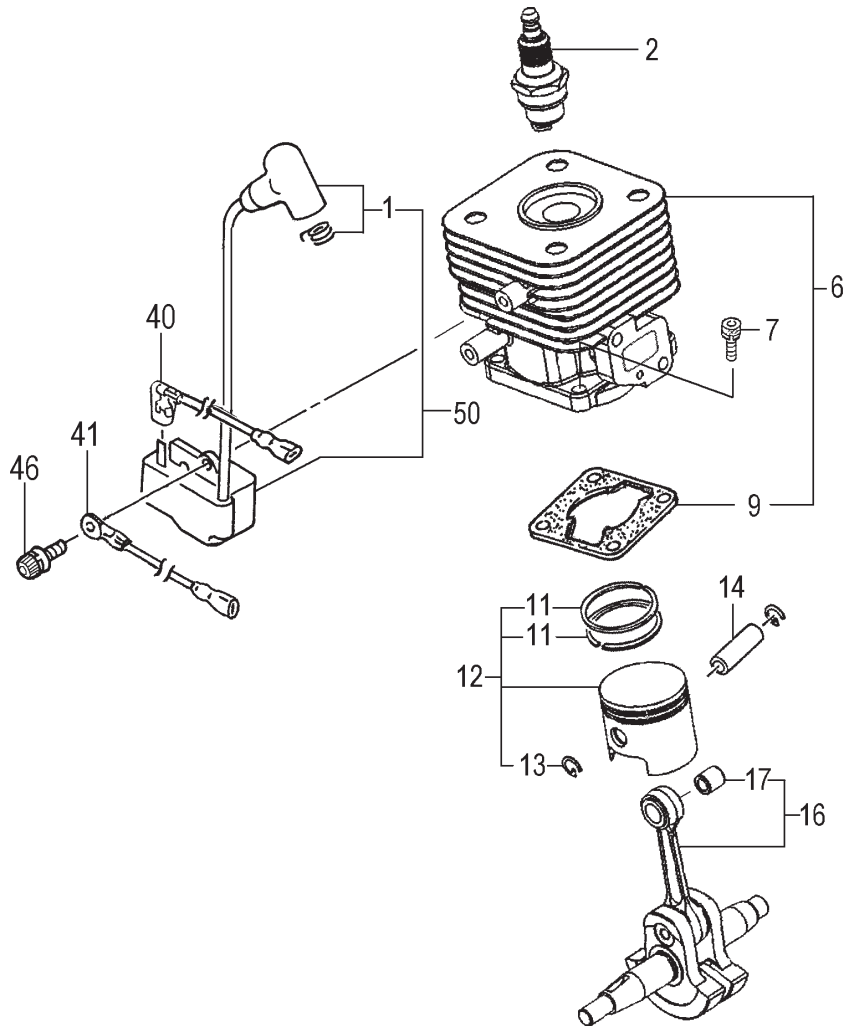
P/N 40844

Rev 000

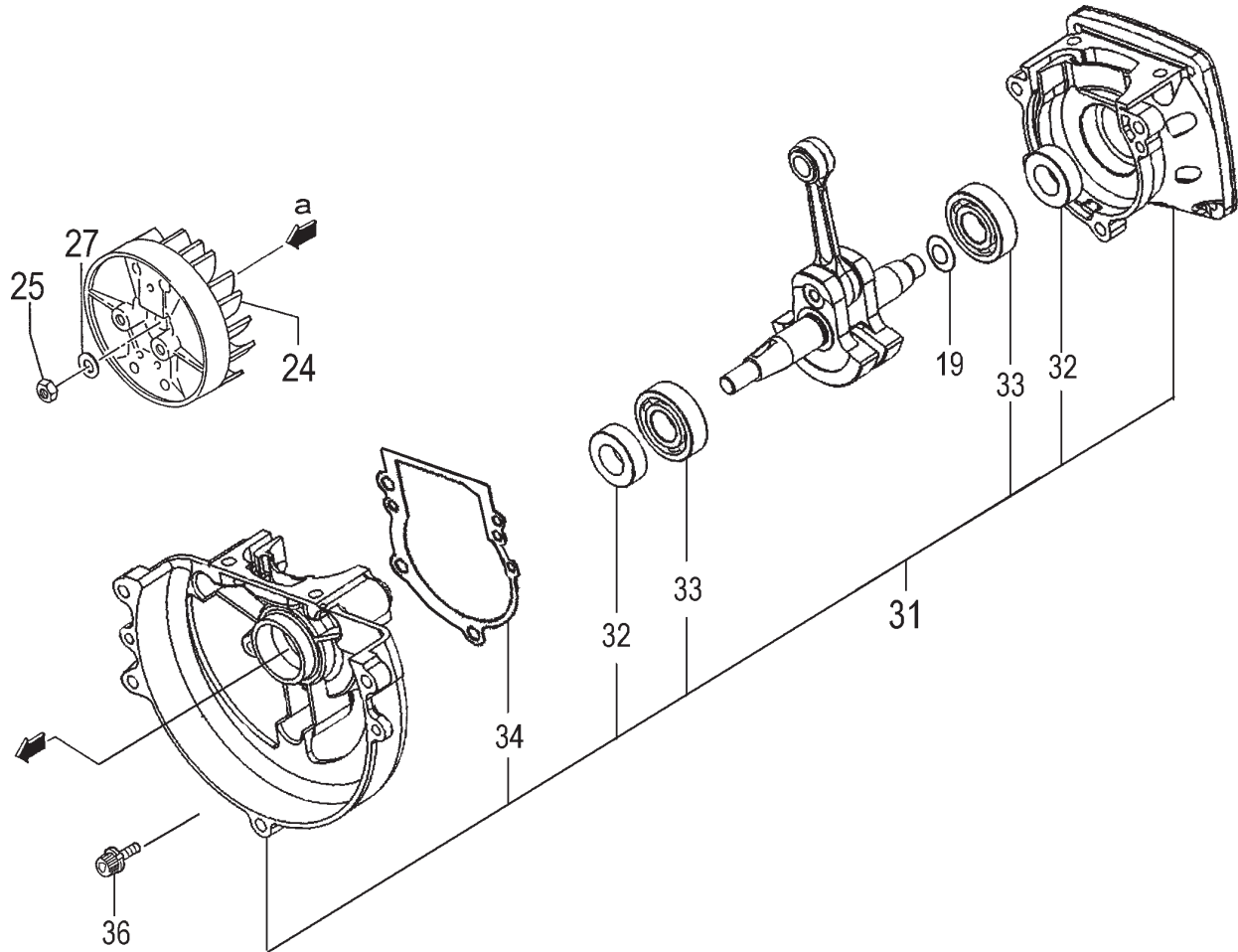
Date 10-24-07



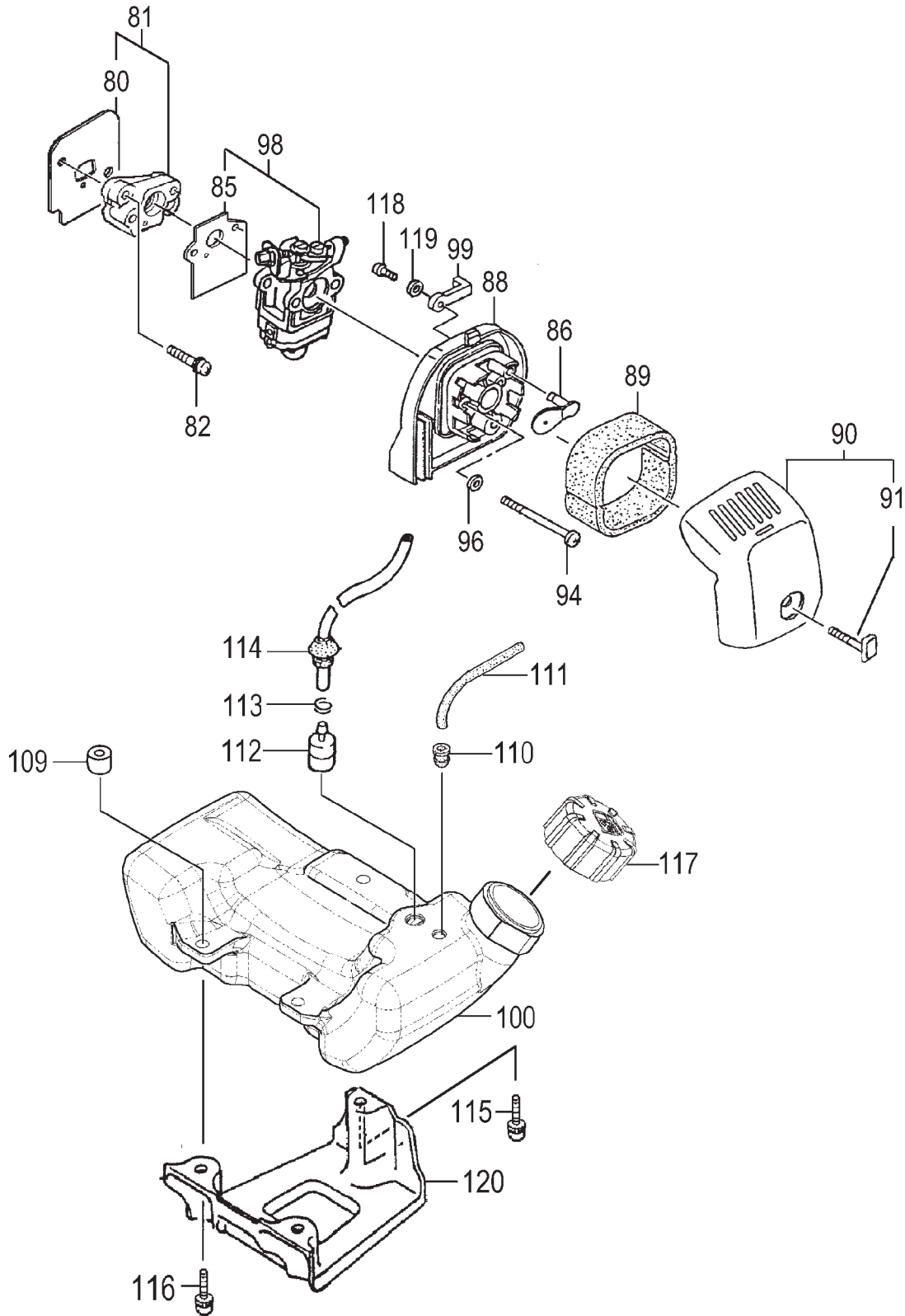
Nikko Tanaka Engineering U.S.A.,Ltd. • 1028 4th Street SW, Bldg B • Auburn, WA 98001 • Phone: (253) 333-1200 • Fax: (253) 333-1212



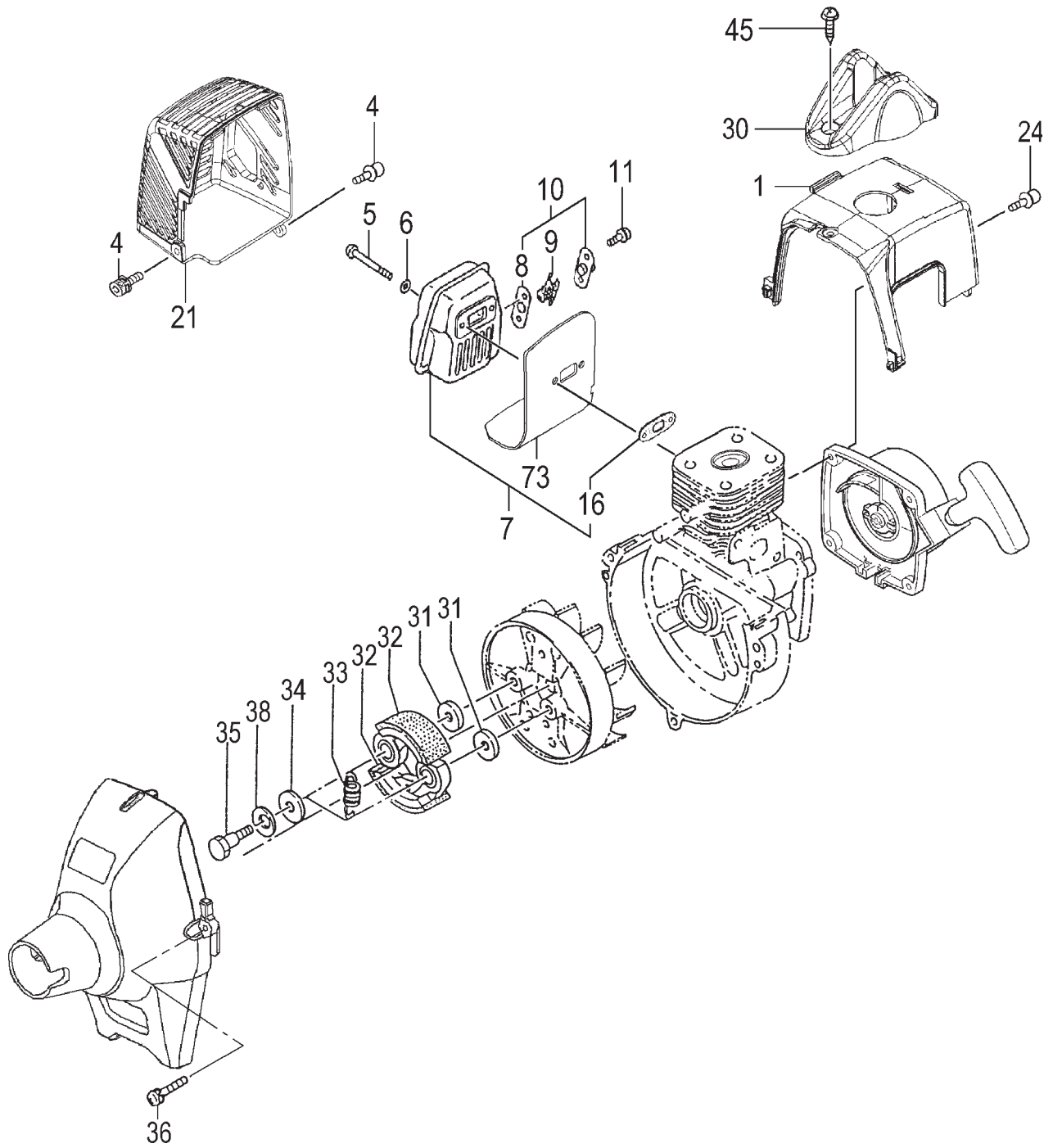
ITEM	PART NUMBER	DESCRIPTION	QTY	COMMENTS
1-1	1570168090	CAP, SPARK PLUG ASS'Y	1	
1-2	0181166021	PLUG, SPARK	1	
1-6	0010735590	CYLINDER SET	1	Includes gasket
1-7	99461050184	BOLT, HEX, 5X18, S	4	
1-9	0170735520	GASKET, CYLINDER	1	
1-11	0410170020	RING, PISTON	2	
1-12	0300735090	PISTON SET	1	Includes rings and circlips
1-13	03901620200	CIRCLIP, PISTON PIN	2	
1-14	0370704520	PIN, PISTON	1	
1-16	0460735082	CRANKSHAFT	1	
1-17	99962081225	BEARING, NEEDLE, F-810	1	
1-40	1780168080	CORD, STOP	1	
1-41	2740168080	CORD, EARTH	1	
1-46	99464040184	BOLT, HEX 4x18WS	2	
1-50	1672101290	COIL, IGNITION	1	



ITEM	PART NUMBER	DESCRIPTION	QTY	COMMENTS
2-19	33000200230	SHIM,12.2X19X.20	1	
2-19	33000200240	SHIM,12.2X19X.30	1	
2-24	1552101281	FLYWHEEL	1	
2-25	99101080011	NUT,8	1	
2-27	99201080011	WASHER,8	1	
2-31	0720304593	CRANKCASE ASSY	1	Includes bearings, seals and gasket
2-32	99966122206	SEAL,OIL,#TC12227	2	
2-33	99961600115	BEARING,BALL,6001 C3	2	
2-34	0900735022	GASKET,CRANKCASE	1	
2-36	99461050164	BOLT,HEX,5X16,S	4	

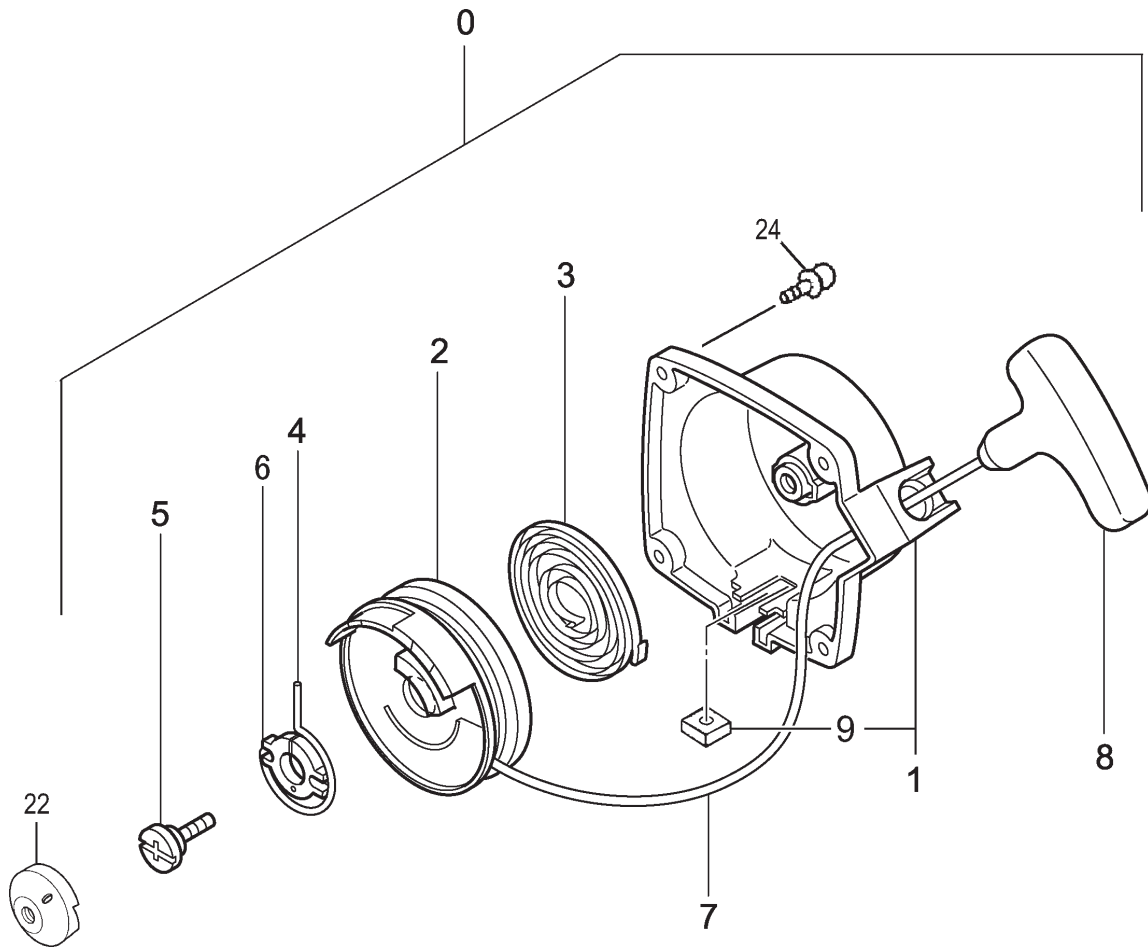


ITEM	PART NUMBER	DESCRIPTION	QTY	COMMENTS
3-80	4030702021	GASKET,INLET MANIFOLD	1	Includes gasket
3-81	4040702091	INSULATOR SET	1	
3-82	99464050254	BOLT,HEX HOLE,5X25WS	2	
3-85	4020602K21	GASKET,CARBURETOR	1	
3-86	5280735522	LEVER,CHOKE	1	
3-88	4230652N80	BODY,AIR CLEANER	1	
3-89	4460652N20	CLEANER,ELEMENT	1	
3-90	4520703590	COVER,CLEANER	1	
3-91	4500702480	BOLT,CLEANER COVER	1	Includes gasket
3-94	99414050571	SCREW,5X57,S	2	
3-96	99200050011	WASHER,SMALL,5	2	
3-98	4550735590	CARBURETOR SET	1	
3-99	5230652N20	LEVER,CHOKE	1	
3-100	5910735022	TANK,FUEL,WHITE	1	
3-109	6590430020	COLLAR,C	3	
3-110	53432710200	GROMMET,FUEL PIPE	1	
3-111	70003005062	PIPE,FUEL,3X5X62	1	
3-112	6750404280	FILTER,FUEL	1	
3-113	68000731201	CLIP 6.3	1	
3-114	2230162V900	PIPE,FUEL,ASS'Y	1	
3-115	99464050255	BOLT,HEX,5x25WS	1	
3-116	99463050204	BOLT,HEX 5X20	2	
3-117	5950300290	CAP,TANK (BLACK/RED)	1	
3-118	99075040154	SCREW,TAPPING,4X15	1	
3-119	99201040011	WASHER,4	1	
3-120	9400735020	STAND	1	

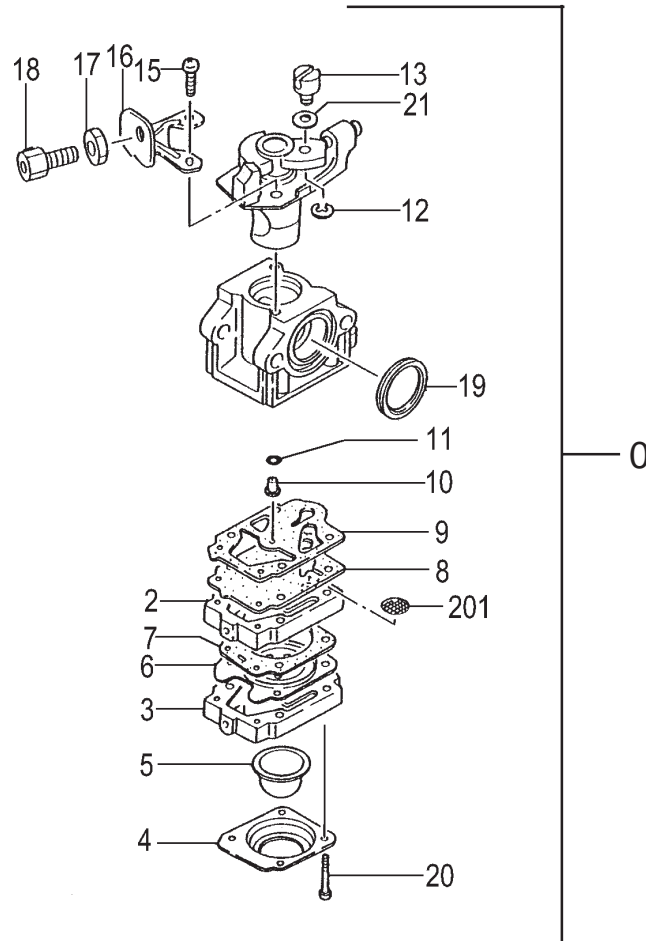


MUFFLER, CLUTCH & COVER • FIGURE 4

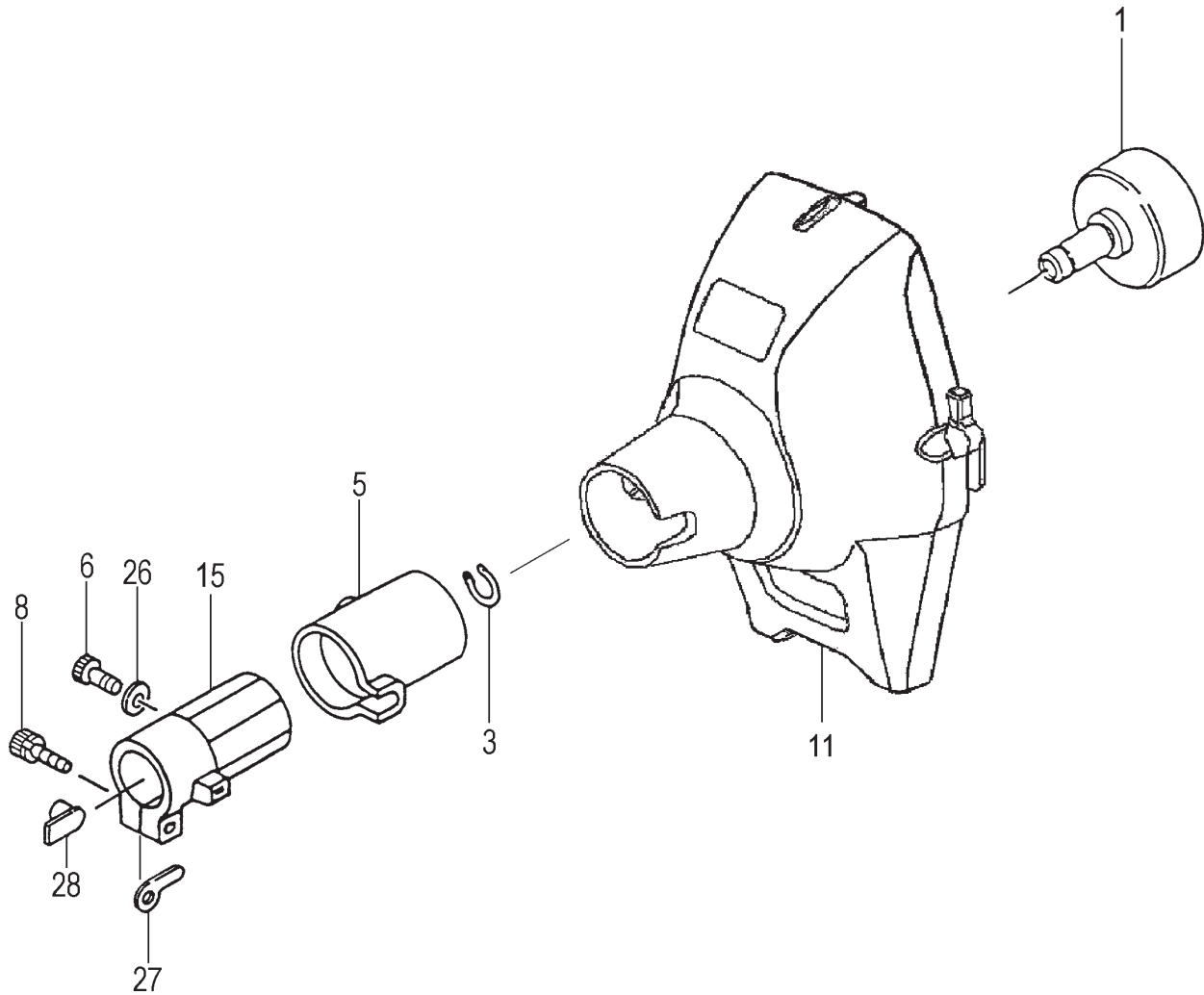
ITEM	PART NUMBER	DESCRIPTION	QTY	COMMENTS
4-1	0160735020	COVER,CYLINDER	1	
4-4	99463050164	BOLT,HEX,5X16,PS	2	
4-5	99051050553	BOLT,HEX,5X55	2	
4-6	99201060011	WASHER,6	2	
4-7	7040736190	MUFFLER SET	1	Includes gasket, not heat shield
4-8	7510702020	GASKET,MUFFLER	1	
4-9	7320631A21	ARRESTER,SPARK	1	
4-10	7210736190	TAIL PIPE SET	1	
4-11	99434040081	SCREW,4X8/S	2	
4-16	7370165A201	GASKET,MUFFLER	1	
4-21	7380735020	PROTECTOR,MUFFLER	1	
4-24	99464040185	BOLT,HEX,4x18WS	2	
4-30	2570304620	CAP,PLUG	1	
4-31	35902103200	WASHER,CLUTCH,B	2	
4-32	29001620800	SHOE,CLUTCH	2	
4-33	3420630B200	SPRING,CLUTCH	1	
4-34	3480630A20	PLATE,CLUTCH	2	
4-35	3570075T200	BOLT,STEP	2	
4-36	99463050204	BOLT,HEX 5X20	3	
4-38	99205080030	WASHER,8	2	
4-45	99072045164	SCREW,TAPPING,4.5X16	1	
4-73	1330735020	SHIELD,HEAT	1	



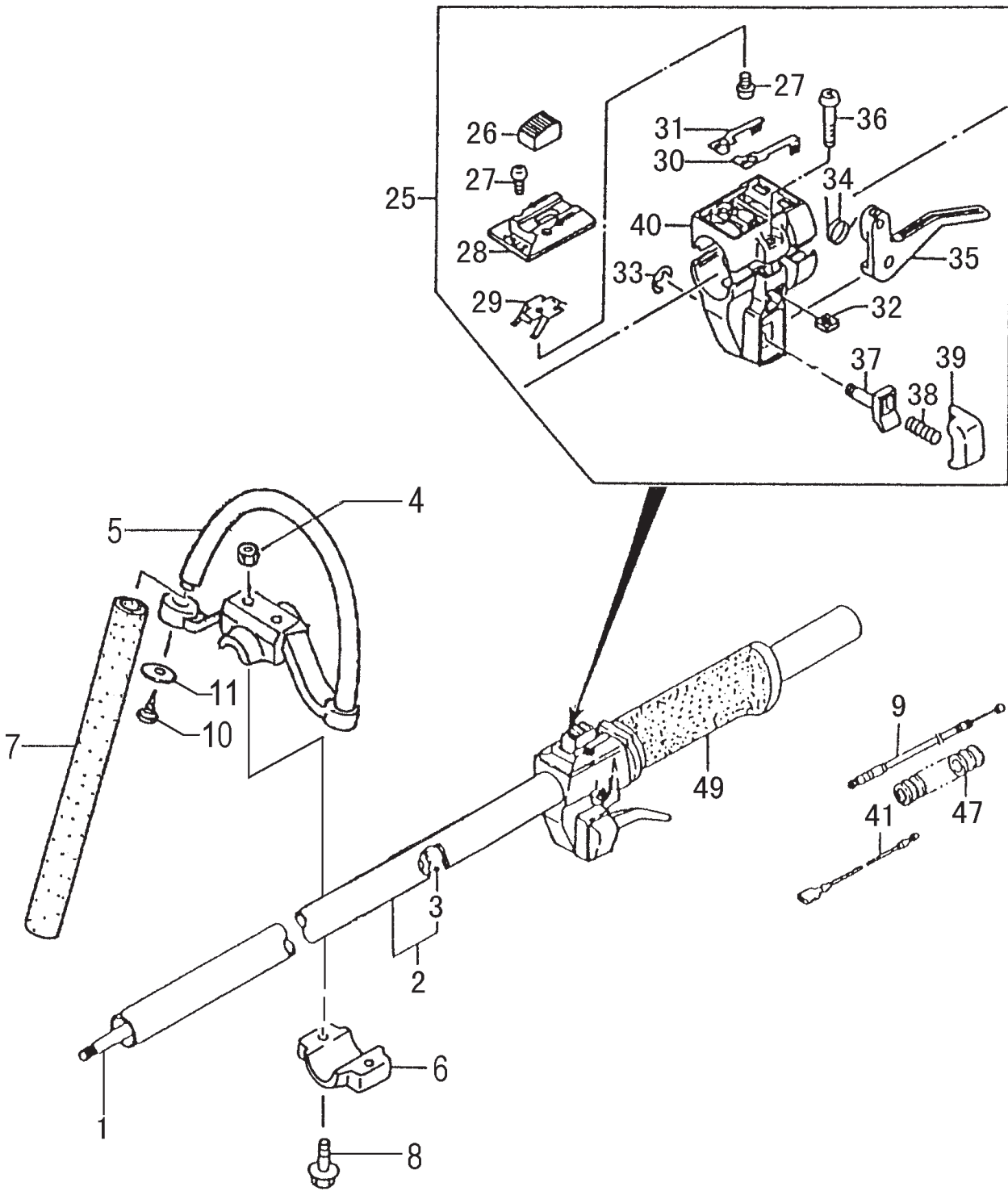
ITEM	PART NUMBER	DESCRIPTION	QTY	COMMENTS
5-0	7620304590	STARTER ASS'Y	1	
5-1	7720304580	BODY,STARTER	1	
5-2	7740304520	PULLEY,STARTER	1	
5-3	7790304520	SPRING,RECOIL	1	
5-4	7770304520	ARM,SWING	1	
5-5	8390304520	SCREW,SET	1	
5-6	7710304520	STAY,PULLEY	1	
5-7	7830304520	ROPE,STARTER	1	
5-8	7850304520	HANDLE,STARTER	1	
5-9	3153334020	NUT,SPECIAL 5MM	1	
5-22	7980304520	PULLEY,STARTER	1	
5-24	99464040185	BOLT,HEX,4x18WS	4	



ITEM	PART NUMBER	DESCRIPTION	QTY	COMMENTS
6-0	4550735590	CARBURETOR SET	1	Includes gasket
6-2	5752515380	BODY,PUMP	1	
6-3	4422515180	PUMP,PRIMING	1	
6-4	4762515120	COVER,DIAPHRAGM	1	
6-5	44725108200	BULB,PRIMING	1	
6-6	~ ~ ~	DIAPHRAGM,METERING	1	Included in Carb Kit #650.25124.90
6-7	~ ~ ~	GASKET,DIAPHRAGM	1	(items not available individually)
6-8	~ ~ ~	DIAPHRAGM,PUMP	1	
6-9	~ ~ ~	GASKET,PUMP	1	
6-10	5992000W42	JET,MAIN #42	1	
6-11	55025100200	O-RING	1	
6-12	48925100200	RING,STOP	1	
6-13	53925120200	SWIVEL	1	
6-15	51425100200	SCREW,THROTTLE SET	2	
6-16	54425164200	STAY,ADJUST,CABLE	1	
6-17	99101060013	NUT,6	1	
6-18	61425137200	ADJUSTER,CABLE	1	
6-19	4310634C200	GASKET,CLEANER	1	
6-20	5482515120	SCREW,SET	4	
6-21	5492516520	WASHER,THRUST	1	
6-201	57525007200	BODY,PUMP	1	

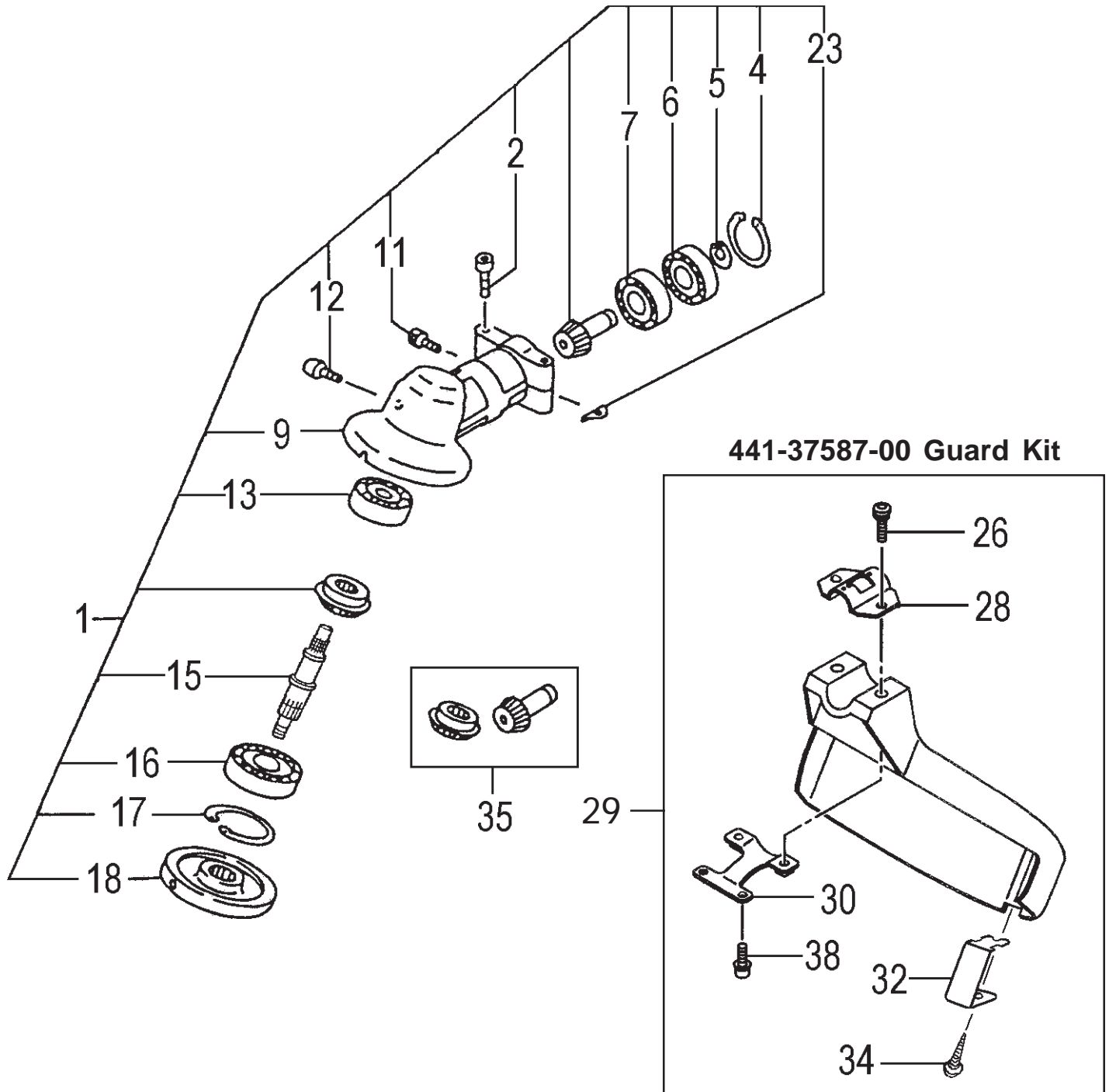


ITEM	PART NUMBER	DESCRIPTION	QTY	COMMENTS
7-1	2890307080	DRUM,CLUTCH	1	
7-3	99350012002	RING,STOP,C-12 EX	1	
7-5	5990098021	CUSHION,RUBBER	1	
7-6	99051050163	BOLT,HEX,5X16	1	
7-8	99461050254	BOLT,HEX HOLE,5X25S	1	
7-11	1120304580	CASE,FAN	1	Includes bearing
7-15	3600099620	PIPE HOLDER	1	
7-26	99201050061	WASHER,5	1	
7-27	3243735020	WASHER,GEAR CASE	1	
7-28	3610099020	FITTING,METAL	1	



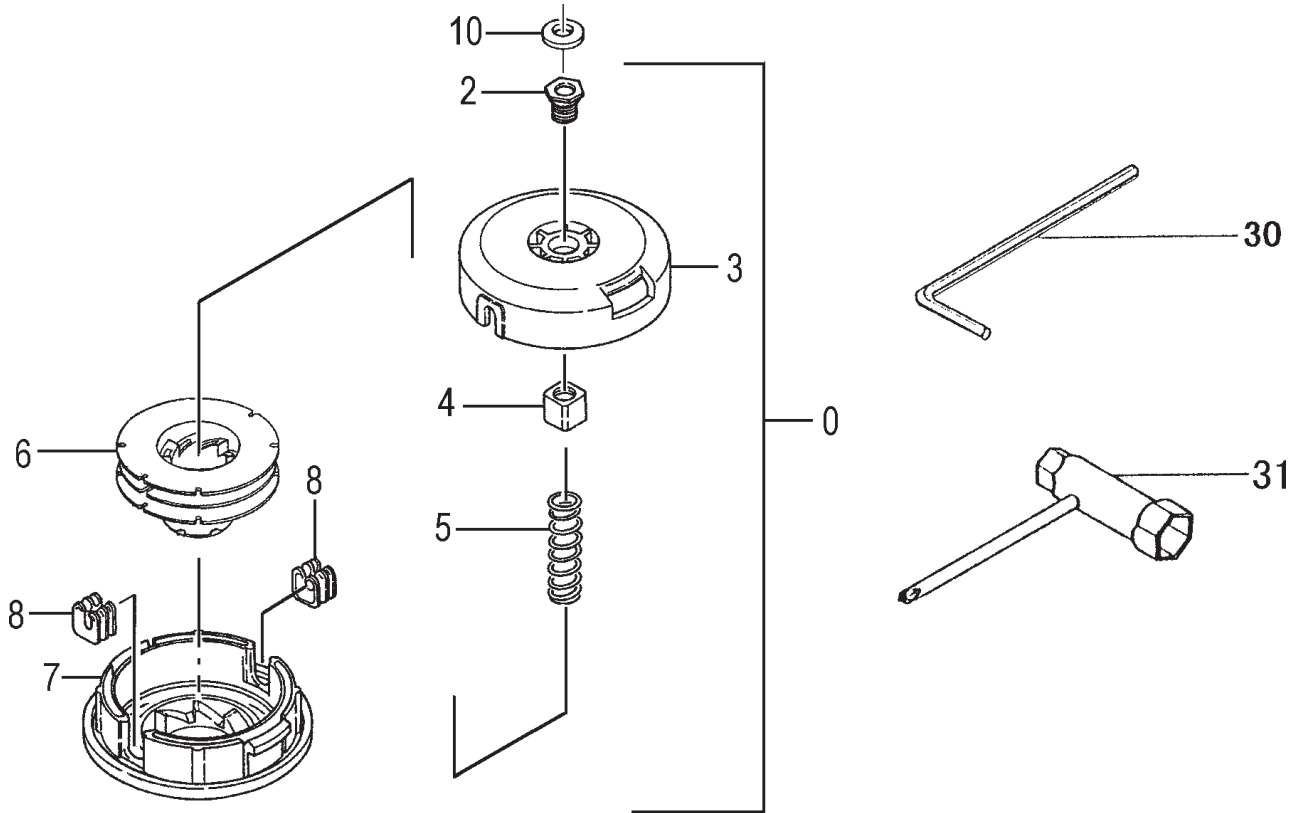
DRIVE SHAFT & FRONT HANDLE • FIGURE 8

ITEM	PART NUMBER	DESCRIPTION	QTY	COMMENTS
8-1	3433817020	SHAFT,DRIVE	1	
8-2	3413762382	PIPE,DRIVE SHAFT	1	
8-3	3473836090	BUSHING	5	
8-4	99101060041	NUT,6	2	
8-5	5003728620	HANDLE	1	
8-6	50637300200	BRACKET,HANDLE,A	1	
8-7	5033738E20	GRIP,HANDLE	1	
8-8	99423060432	BOLT,6X43	2	
8-9	8853739480	WIRE,THROTTLE	1	
8-10	99311052012	SCREW,TAPPING 5X20	1	
8-11	36832350200	WASHER,BRAKE SHAFT	1	
8-25	8703728690	LEVER,THROTTLE ASS'Y	1	
8-26	1623710120	SWITCH,STOP	1	
8-27	99342030081	SCREW,TAPPING,3X8	3	
8-28	25937101200	BASE,STOP SWITCH	1	
8-29	26237101200	SPRING,STOP SWITCH	1	
8-30	17737101200	TERMINAL,EARTH B	1	
8-31	17637101200	TERMINAL,EARTH A	1	
8-32	3153334020	NUT,SPECIAL 5MM	2	
8-33	99355060001	RING,STOP,6	1	
8-34	83237101200	SPRING,RETURN	1	
8-35	8803728620	ARM,THROTTLE	1	
8-36	99431050201	SCREW,5X20	2	
8-37	85337101200	SHAFT,LOCK BUTTON	1	
8-38	95837101200	SPRING,LOCK,BUTTON	1	
8-39	95637101200	BUTTON,LOCK	1	
8-40	2603331720	BODY,STOP BUTTON,B	1	
8-41	1783739480	CORD,STOP 430mm	2	
8-47	1641001900	TUBE,PROTECTION,10X190	1	
8-49	50437300200	GRIP,SHAFT	1	



This guard kit is designed to fit all trimmers with 24 or 26mm pipes.
This guard **is not** approved for use with any metal blade.

ITEM	PART NUMBER	DESCRIPTION	QTY	COMMENTS
9-1	3003815991	GEAR CASE ASSY,24	1	
9-2	99461050254	BOLT,HEX HOLE,5X25S	2	
9-4	99351022002	RING,STOP,C22,IN	1	
9-5	99357010002	RING,STOP,OUTER 10	1	
9-6	99961690002	BEARING,BALL,#6900Z	1	
9-7	99961690000	BEARING,BALL,#6900	1	
9-9	3003815021	CASE,GEAR	1	
9-11	99461050124	BOLT,HEX,5X12S	1	
9-12	3163815020	BOLT,FITTING,M8	1	
9-13	99961609000	BEARING,BALL,#609	1	
9-14	3043815020	SHAFT,GEAR	1	
9-16	99961620103	BEARING,BALL #6201D	1	
9-17	99351032002	RING,STOP,C-32 IN	1	
9-18	3103815020	HOLDER,CUTTER	1	
9-23	3243815020	WASHER,GEAR CASE	1	
9-26	99481060254	SCREW,HEX HOLE 6X25	2	
9-28	4423741720	BRACKET,SAFETY GUARD	1	
9-29	4413758700	GUARD KIT	1	
9-30	4453815020	HOLDER,GUARD	1	
9-32	7973815020	LIMITER,LINE	1	
9-34	99317052002	SCREW,TAPPING,5x20	1	
9-35	3013815000	SET,GEAR PINION	1	
9-38	99461050124	BOLT,HEX,5X12S	2	



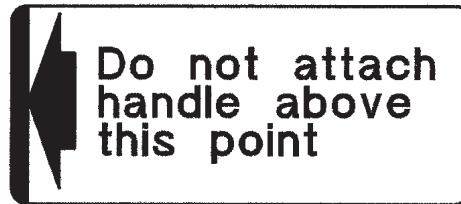
ITEM	PART NUMBER	DESCRIPTION	QTY	COMMENTS
10-0	746451	HEAD,SEMI-AUTO,5"	1	
10-2	3563383B20	ADAPTER,10x1.25 LHF	1	
10-3	7863383020	BODY,CUTTING	1	
10-4	3153383020	NUT,SPECIAL	1	
10-5	7933383020	SPRING,REEL	1	
10-6	7873383020	REEL	1	
10-7	7893383020	CAP,BODY	1	
10-8	7883383020	EYELET	2	
10-10	99201120011	WASHER,12	1	
10-30	81320000200	WRENCH,HEX,4	1	
10-31	8262000080	SPANNER,COMBI,17X19	1	



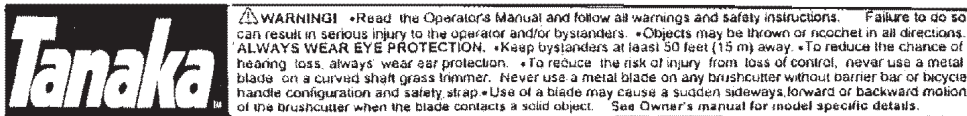
1



2



4



10



26

ITEM	PART NUMBER	DESCRIPTION	QTY	COMMENTS
11-1	9060736120	DECAL,TBC-280	1	
11-2	9290736120	DECAL,TBC-280	1	
11-4	9233738F20	DECAL,LEVEL	1	
11-10	9193782020	DECAL,CAUTION A	1	
11-26	92337400200	DECAL,LEVEL	1	