

Tanaka Illustrated Parts Manual

Model Number:

TBC-240PFCS

GRASS TRIMMER

Date 7/21/09

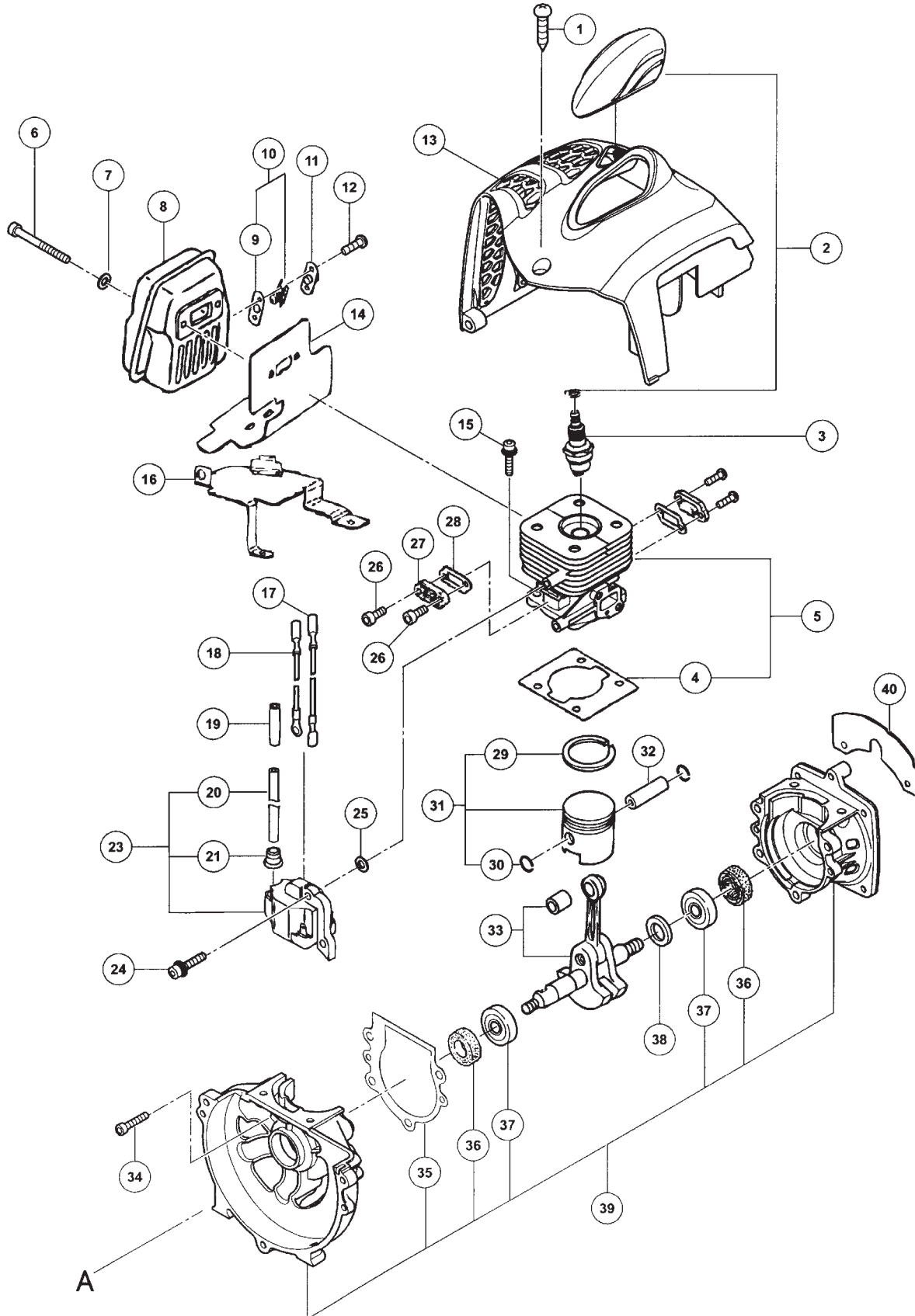


Supplier To The Outdoor Power Equipment Industry

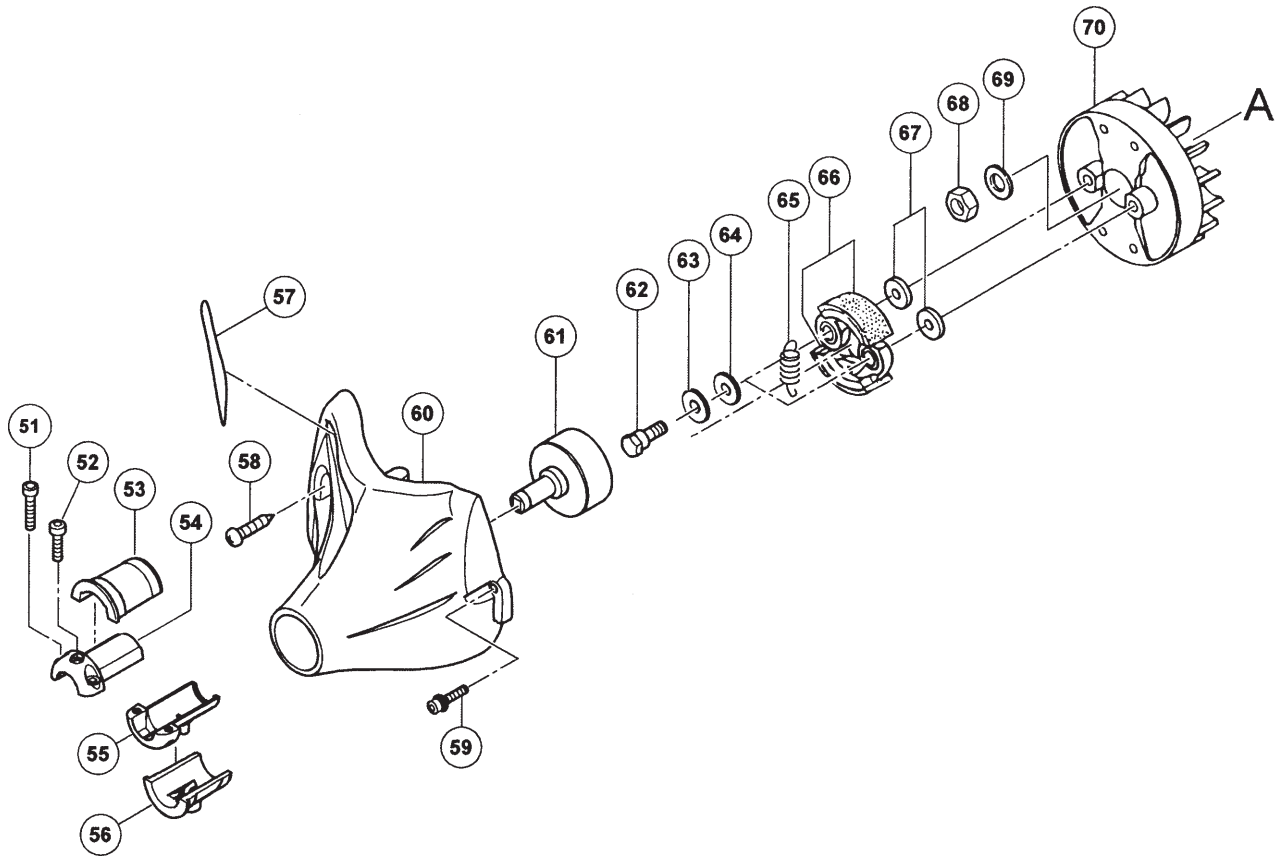
Hitachi Koki USA • 1028 4th Street SW • Auburn, WA 98001 • Phone: (253) 333-1200 • Fax: (253) 333-1212

www.tanakapowerequipment.com

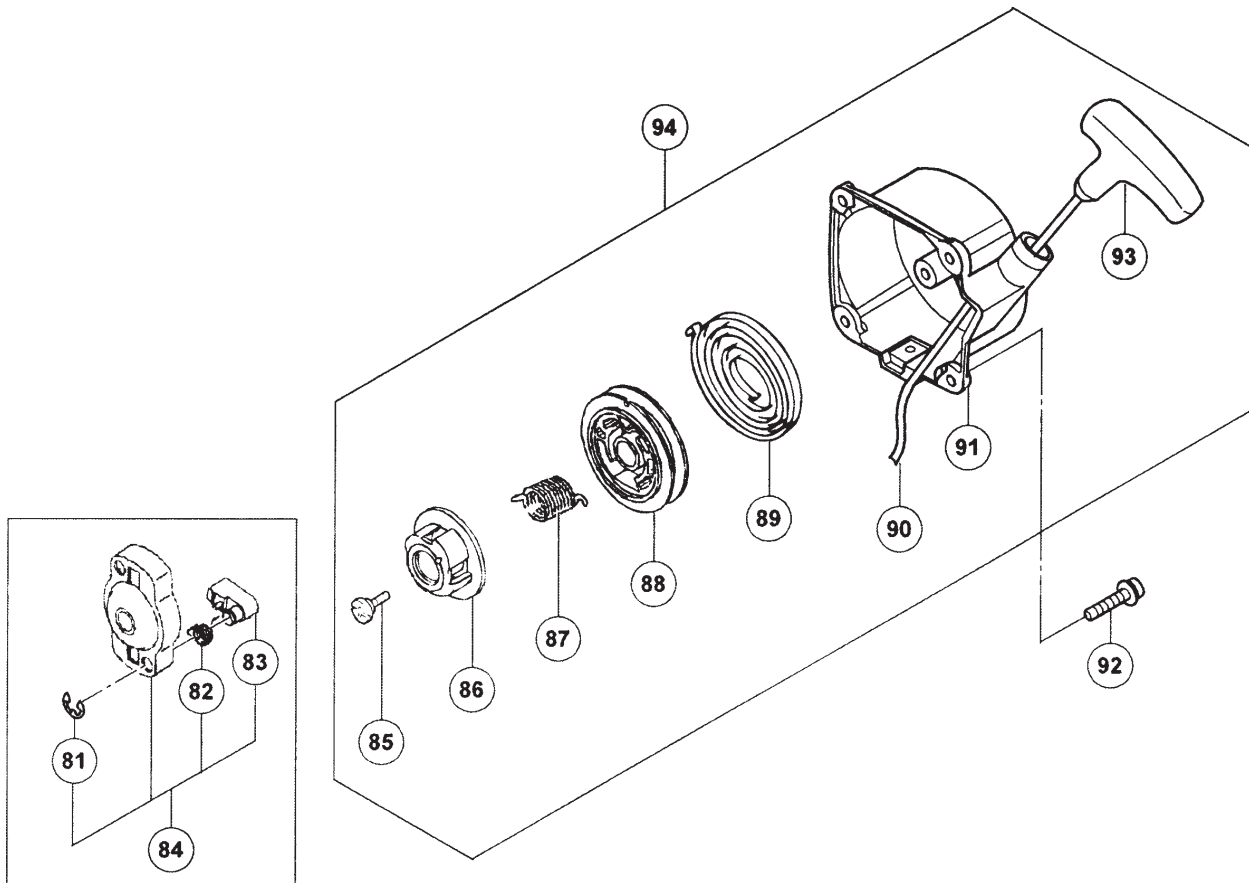
custsvc@tanakapowerequipment.com



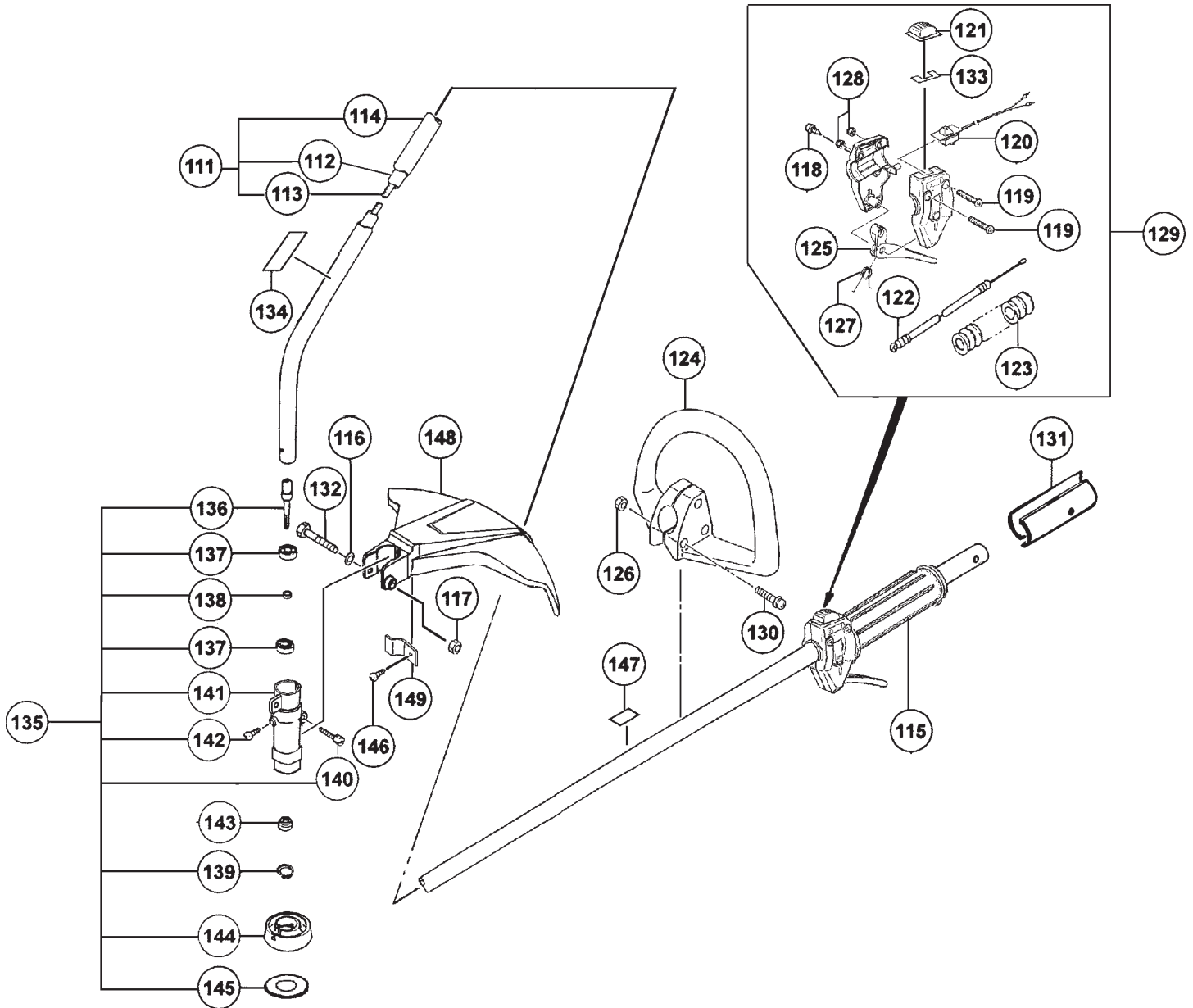
ITEM	PART NUMBER	DESCRIPTION	Qty	COMMENTS
1	99073045124	TAPPING SCREW 4.5X12	1	
2	6684583	PLUG CAP ASS'Y	1	Does not include engine cover
3	01802233200	SPARK PLUG	1	
4	6684587	CYLINDER GASKET	1	
5	6684585	CYLINDER SET	1	Includes gasket #4
6	99051060553	HEX HOLE BOLT 6X55	2	
7	99201060011	WASHER 6	2	
8	6684640	MUFFLER	1	
9	6684650	MUFFLER SPECIAL GASKET	1	
10	6685046	SPARK ARRESTOR	1	Includes #9
11	6685047	TAIL PIPE	1	
12	99436040081	SCREW 4X8/WS	2	
13	6684635	ENGINE COVER	1	
14	6684641	HEAT SHIELD	1	
15	99461050184	HEX. HOLE BOLT 5X18/S	4	
16	6684844	HEAT SHIELD B COMP.	1	
17	6685053	CORD	1	
18	6685054	EARTH CORD	1	
19	25006500200	INSULATOR TUBE, 50L	1	
20	6684596	HIGHT TENSION CORD	1	
21	56020517200	RUBBER CAP	1	
23	6684601	IGNITION COIL ASS'Y	1	Includes #20 and #21
24	99464040184	HEX. HOLE BOLT 4X18WS	2	
25	1820186A201	WASHER	2	
26	99461040124	HEX. HOLE BOLT 4X12S	4	
27	6684594	INTAKE COVER	2	
28	6684593	COVER PACKING	2	
29	04101601200	PISTON RING	2	
30	03901620200	PISTON PIN CIRCLIP	2	
31	6684589	PISTON SET	1	Includes rings & circlips #29-30
32	0370704520	PISTON PIN	1	
33	6684592	CRANKSHAFT	1	
34	99461050184	HEX. HOLE BOLT 5X18/S	4	
35	6684609	CRANK CASE GASKET	1	
36	99966122206	OIL SEAL TB 12227	2	
37	99961600115	BALL BEARING 6001 C3	2	
38	33000200230	GEAR SHAFT SHIM 0.20	V	Variable - use as needed for side clearance
38	33000200240	GEAR SHAFT SHIM 0.30	V	Variable - use as needed for side clearance
39	6684606	CRANK CASE ASS'Y	1	Includes bearings, seals & gasket #35-38
40	6684845	PARTITION PLATE	1	



ITEM	PART NUMBER	DESCRIPTION	Qty	COMMENTS
51	99461050204	HEX. HOLE BOLT 5X20/S	2	
52	99461050124	HEX. HOLE BOLT 5X12S	1	
53	6684666	ANTI-VIBE RUBBER A	1	
54	6684670	PIPE HOLDER A	1	
55	6684671	PIPE HOLDER B	1	
56	6684665	ANTI-VIBE RUBBER B	1	
57	6685055	DECAL	1	
58	99072045164	4.5X16 TAPPING SCREW	1	
59	99464050184	HEX.HOLE BOLT 5X18/WS	3	
60	6684669	FAN CASE, ORANGE	1	
61	6685438	CLUTCH DRUM	1	(See bulletin PI#3151)
62	3570075T200	STEP BOLT	2	
63	99205080030	BENT WASHER 8	2	
64	3480630A20	CLUTCH PLATE A 0.5	2	
65	3420630B200	CLUTCH SPRING	1	
66	29001620800	CLUTCH SHOE	2	
67	35902103200	CLUTCH WASHER B	2	
68	99101080011	HEX. NUT 8	1	
69	99201080011	WASHER 8	1	
70	6684610	FLYWHEEL	1	

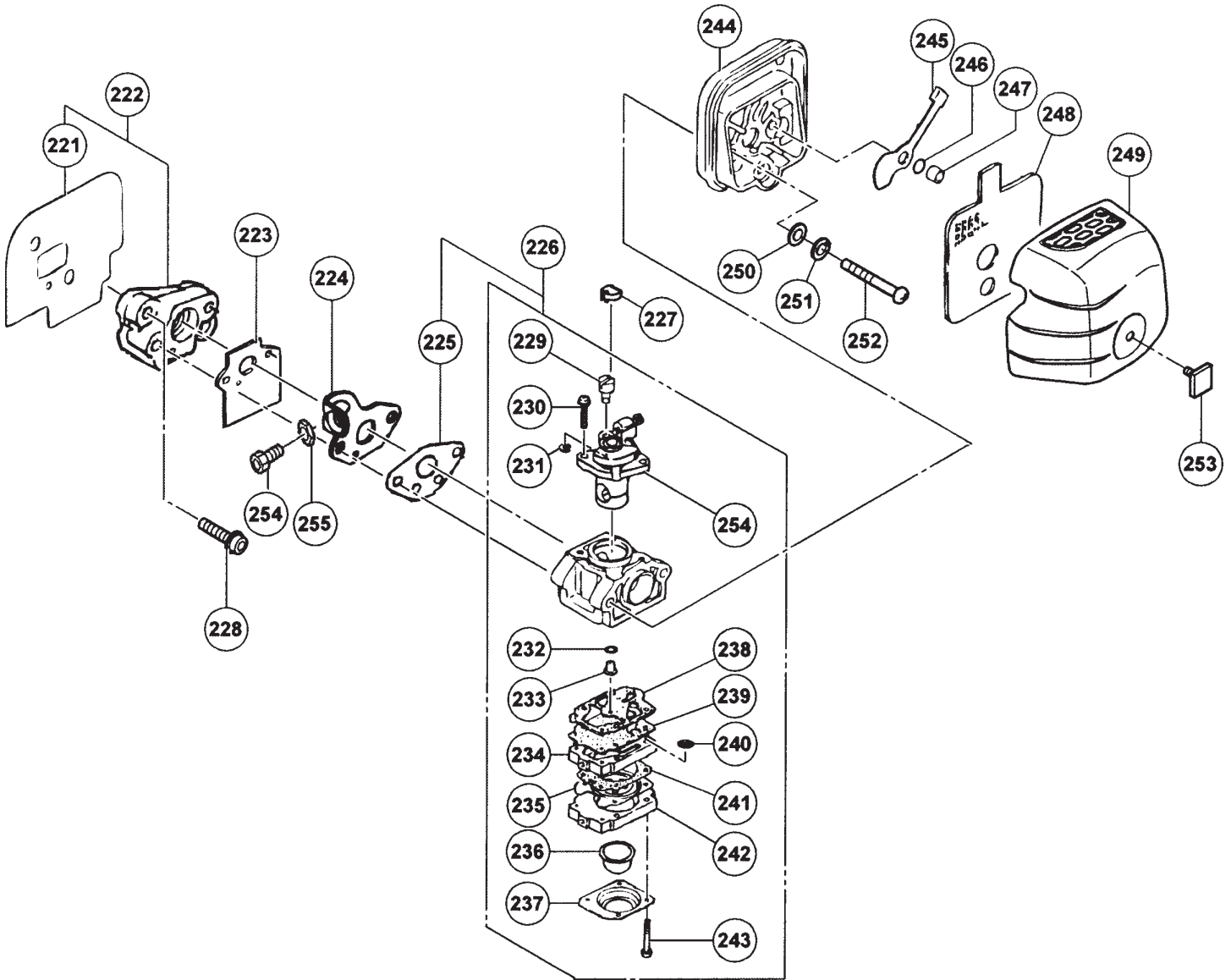


ITEM	PART NUMBER	DESCRIPTION	Qty	COMMENTS
81	99355050000	STOP RING E-5	2	
82	79006097200	STARTER PAWL SPRING	2	
83	7880651H20	STARTER PAWL	2	
84	7980651H90	STARTER PULLEY ASS'Y	1	Includes #81-83
85	8390304520	SET SCREW	1	
86	7590651H20	CAM PLATE	1	
87	7580651H20	SPRING	1	
88	7740720R20	STARTER ROPE REEL	1	
89	78006097200	RECOIL SPRING	1	
90	7830720F20	ROPE 3.0X800	1	
91	7720735080	RECOIL STARTER BODY COMP.	1	
92	99463040154	BOLT,HEX,4X15,PS	4	
93	7850304520	STARTER HANDLE	1	
94	7620735090	STARTER BODY ASS'Y	1	Includes #85-91,93 (screws not included)

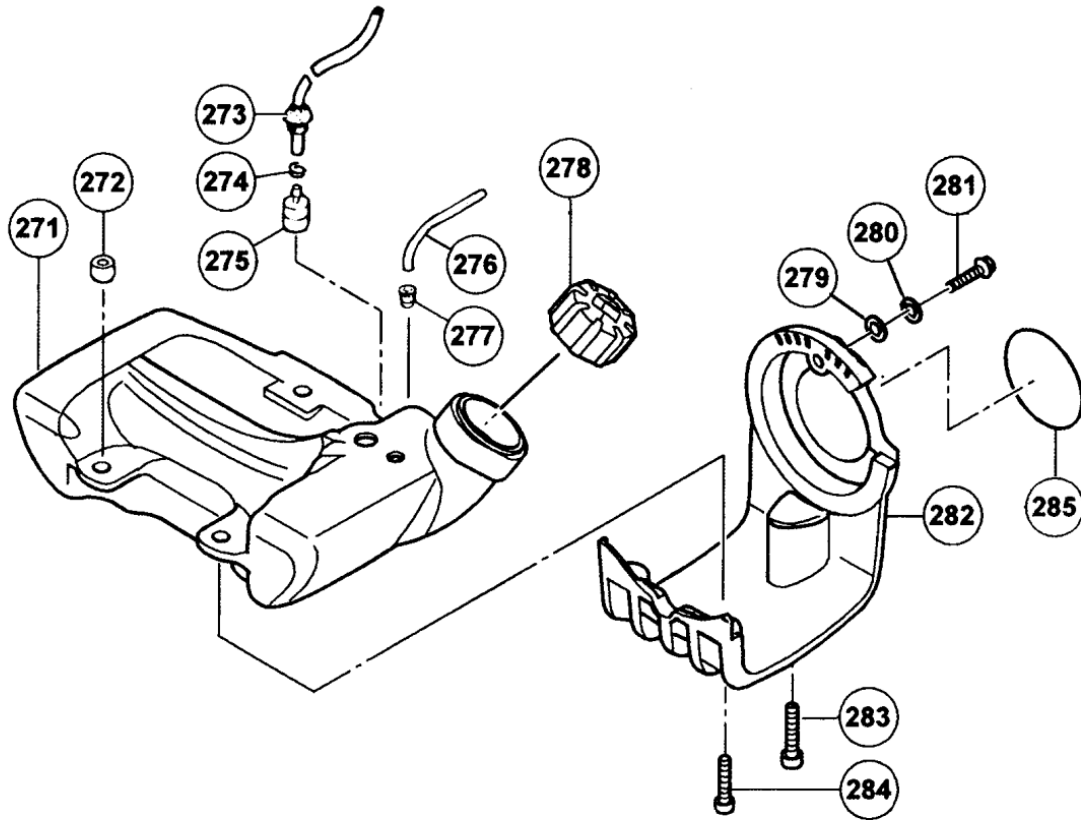


THROTTLE, HANDLE & SHAFT • FIGURE 4

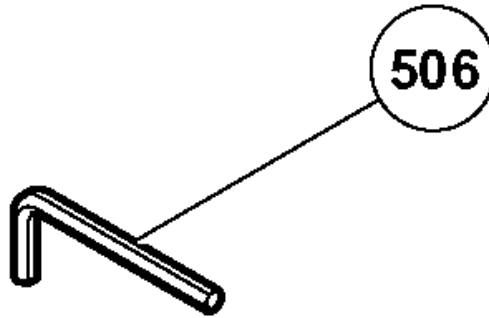
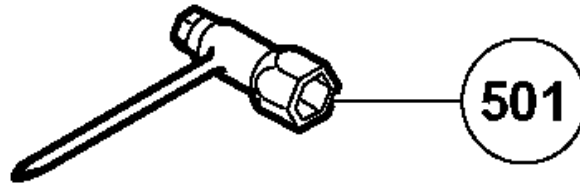
ITEM	PART NUMBER	DESCRIPTION	Qty	COMMENTS
111	6685045	DRIVE SHAFT PIPE ASSY	1	Includes flex shaft, liner & pipe #112-114
112	3503847420	FLEXIBLE LINER	1	
113	3443847420	FLEXIBLE SHAFT	1	
114	6685040	DRIVE SHAFT PIPE	1	
115	5093847420	GRIP	1	
116	99201060011	WASHER 6	1	
117	99101060011	NUT 6	1	
118	99072050144	TAPPING SCREW 5X14	1	
119	99011050301	5X30 SCREW	3	Cut to fit
120	1563845180	STOP SWITCH COMP.	1	
121	1623845120	STOP BUTTON	1	
122	6685024	THROTTLE WIRE COMP	1	
123	16407029000	PROTECTION TUBE 7X290	1	
124	5003845220	FRONT HANDLE, 22mm	1	
125	8803845120	THROTTLE LEVER	1	
126	99101050041	NUT 5	3	
127	8323845120	RETURN SPRING	1	Includes #118-123,125,127,128,129,133
128	99101050011	HEX.NUT5	3	
129	6685034	THROTTLE LEVER ASS'Y 22	1	
130	99416050302	SCREW 5X30WS	3	
131	6684788	HOLDER,PIPE BLK	2	
132	99023060451	PLUS BOLT 6X45	1	
133	9253845120	STOP SWITCH MARK	1	
134	9193782020	CAUTION MARK	1	
135	3003847490	CUTTER CASE ASS'Y	1	INCLUD.136-145
136	3043847420	CUTTER SHAFT	1	
137	99961608001	BALL BEARING #608LB,22MM/OD	2	
138	3483847420	COLLAR 5	1	
139	99210080012	S.WASHER 8	1	
140	99021050301	BOLT 5X30	1	
141	3003847420	CUTTER CASE	1	
142	99021050101	BOLT 5X10	1	
143	7603847420	SPECIAL WASHER	1	
144	3103847420	CUTTER HOLDER	1	
145	3203847420	CUTTER HOLDER	1	
146	99073050164	TAPPING SCREW 5X16	1	
147	9233738F20	LEVEL MARK	1	
148	4413845221	SAFETY GUARD	1	
149	7973845220	KNIFE	1	



ITEM	PART NUMBER	DESCRIPTION	Qty	COMMENTS
221	6684613	INSULATOR GASKET	1	
222	6684840	INSULATOR SET	1	Includes gasket #221
223	4020656A200	CARBURETOR GASKET	1	
224	8780662020	THROTTLE WIRE FIXING PLATE	1	
225	4020602K21	CARBURETOR GASKET	1	
226	6684624	CARBURETOR SET	1	Includes gasket #225 (not #227)
227	5600712020	SWIVEL CAP	1	
228	99464050255	HEX HOLE BOLT 5X25WS	2	
229	53925120200	SWIVEL	1	
230	54825140200	THROTTLE SET SCREW	2	
231	48925100200	STOP RING	1	
232	55025100200	O-RING	1	
233	6684694	MAIN JET 33	1	
234	6684686	PUMP BODY COMP	1	Includes #240
235	~ ~ ~	METERING DIAPHRAGM	1	~ Contained in Carb Kit #650.25140.900 (Not available individually)
236	44725108200	PRIMING BODY	1	
237	4762515120	DIAPHRAGM COVER	1	
238	~ ~ ~	PUMP DIAPHRAGM	1	
239	~ ~ ~	PUMP GASKET	1	
240	57825007200	INLET SCREEN	1	
241	~ ~ ~	DIAPHRAGM GASKET	1	
242	4422515180	PRIMING PUMP COMP.	1	
243	5482515120	SET SCREW	4	
244	4230007081	CLEANER BODY COMP.	1	
245	5280714320	CHOKE VALVE	1	
246	99204080030	WAVE WASHER 8	1	
247	6573252A20	COLLAR 8	1	
248	4210007020	AIRCLEANER ELEMENT	1	
249	6684653	CLEANER COVER	1	
250	99201050011	WASHER 5	2	
251	99210050012	S.WASHER 5	2	
252	99011050602	SCREW 5X60	2	
253	4500006A81	COVER FIXING BOLT	1	
254	61425137200	CABLE ADJUSTER	1	
255	99101060013	M6 LOCK NUT	1	



ITEM	PART NUMBER	DESCRIPTION	Qty	COMMENTS
271	6685043	TANK	1	
272	6590430020	COLLAR C	3	
273	2230162V900	FUEL PIPE ASS'Y	1	
274	68000731201	CLIP, 6.3 DIA.	1	
275	6750404280	FUEL FILTER	1	
276	70003005350	FUEL PIPE 3X5X350	1	Cut to fit
277	53432710200	GROMMET, RETURN PIPE	1	
278	6685071	GAS CAP	1	
279	6684632	WASHER 4	1	
280	99210040062	S. WASHER 4	1	
281	6684631	HEX HOLE BOLT 4X45	1	
282	6684630	STAND	1	
283	99464050255	HEX HOLE BOLT 5X25WS	1	
284	99463050204	HEX.HOLE BOLT 5X20PS	2	
285	6685263	DECAL	1	



ITEM	PART NUMBER	DESCRIPTION	Qty	COMMENTS
501	829290052H	COMBI BOX WRENCH 13X19	1	
506	81320000200	HEX. WRENCH 4	1	

No Brainer Cutting Head
Order #32307



Optional Cutting Attachments

Semi-Auto (Tap)
Head Order #746852



Automatic Feed
Head Order #746751





Service Bulletin # PI-3151

Date 7/15/2009

Model / Serial Numbers: TBC-240PFCS J690001~

Reason / Component: Part Update

Action: New part number for clutch drum

Parts Required: 6685438

Warranty Status / Time: N/A

All Model TBC-240PFCS trimmers from serial number J690001 will use clutch drum P/N 6685438. When replacing the clutch drum on any TBC-240PFCS, use the new part number as the replacement clutch drum. No additional parts are required.

The new clutch drum will not allow excessive movement of the flexible driveshaft.

Machines prior to J690001 should have in place, a rubber bushing (41161) installed in the square end of the clutch drum. The new clutch drum does not require the use of this spacer. When installing the new clutch drum, discard the bushing with the old drum.

When replacing the flexible driveshaft in this model, either make sure the rubber bushing is already installed in the old (Silver) drum **or** install the new (black) clutch drum in its place. **Do not use the bushing in the new clutch drum.**

DESCRIPTION	OLD PART #	NEW PART#
CLUTCH DRUM COMP	6684949 (Silver)	6685438 (Black)

Hitachi Koki U.S.A., Ltd.

3950 Steve Reynolds Boulevard • Norcross, GA 30093 • PH: 888-482-6252 • F: 888-282-6252 • tanakapowerequipment.com