

Tanaka Illustrated Parts Manual

Model Number:

TBC-230B

GRASS TRIMMER

P/N 31497

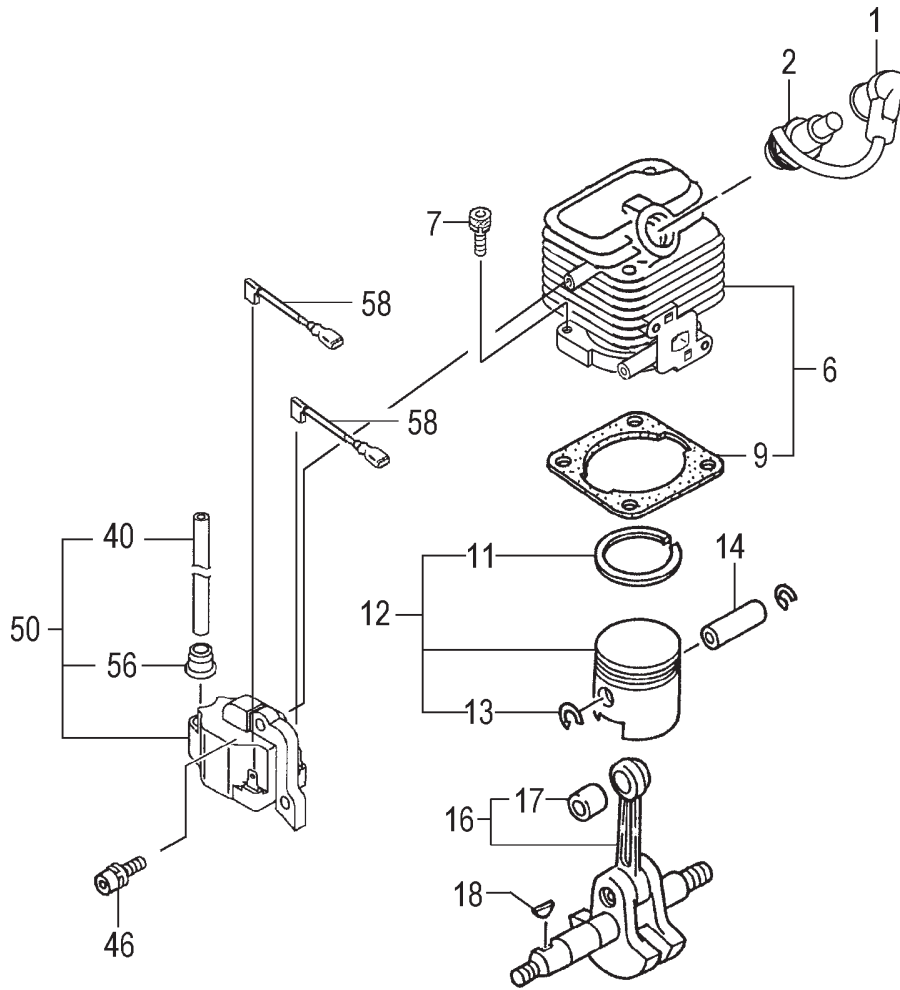
Rev 000

Date 5-3-07

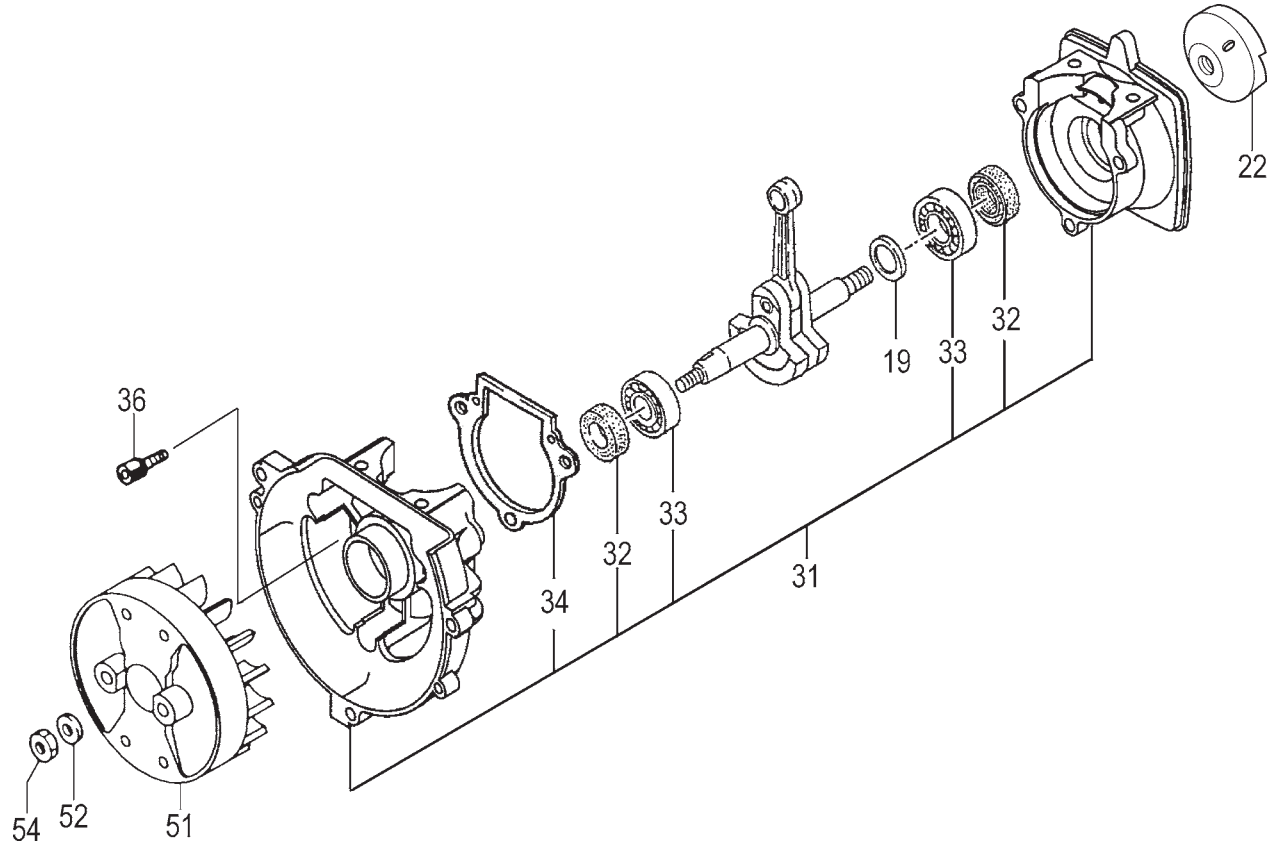


Nikko Tanaka Engineering U.S.A.,Ltd. • 1028 4th Street SW, Bldg B • Auburn, WA 98001 • Phone: (253) 333-1200 • Fax: (253) 333-1212

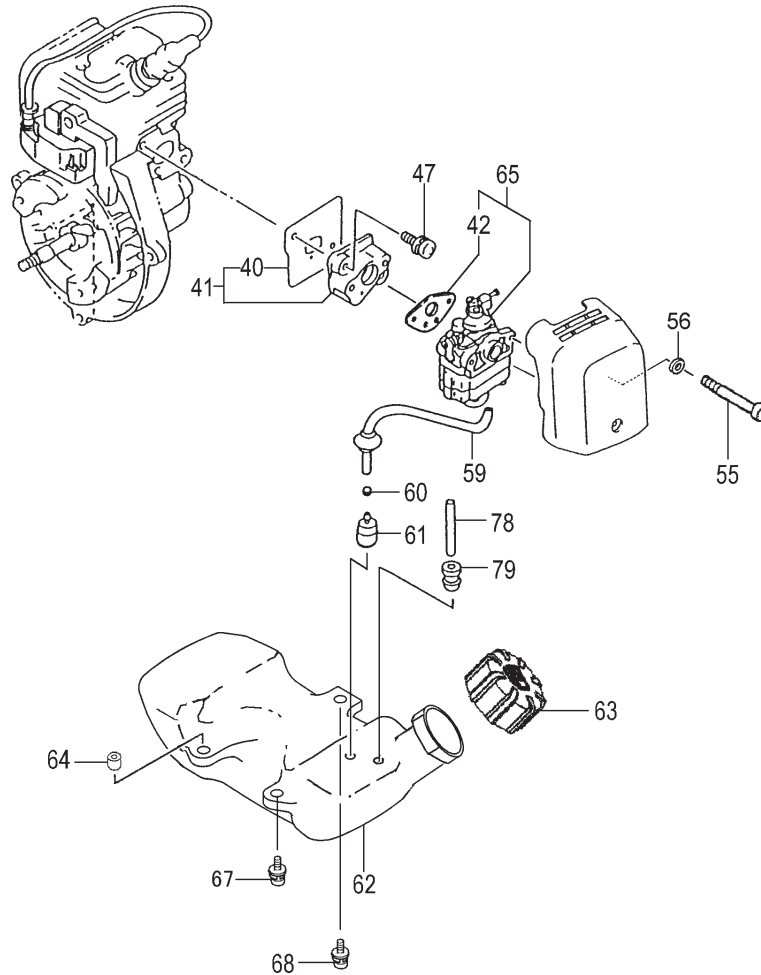
CYLINDER, PISTON, CRANKSHAFT • FIGURE 1



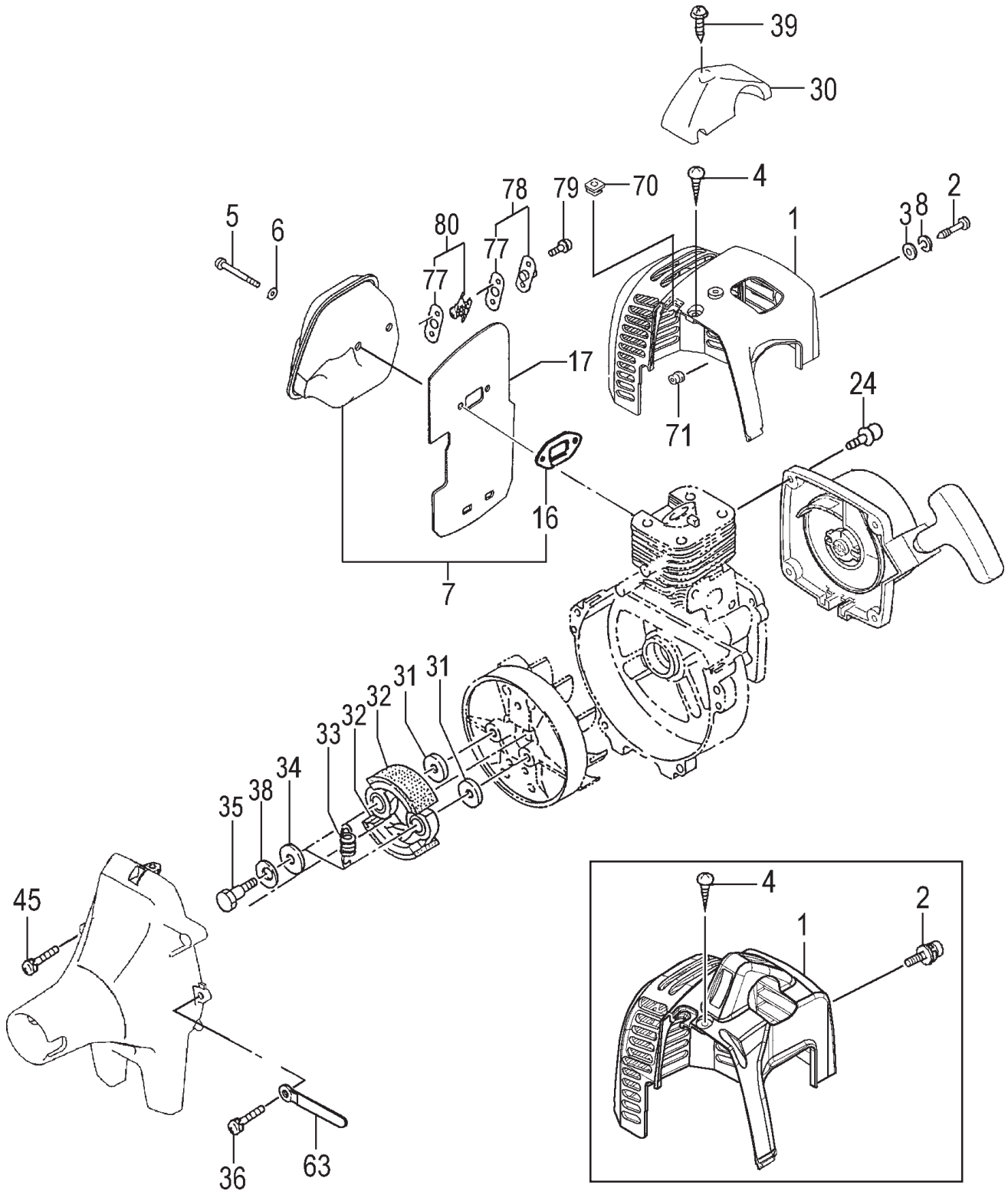
ITEM	PART NUMBER	DESCRIPTION	QTY	COMMENTS
1-1	15701570900	CAP, SPARK PLUG, ASSEMBLY	1	
1-2	0181166021	PLUG, SPARK	1	
1-6	0010713091	CYLINDER SET	1	Includes gasket
1-7	99461050184	BOLT, HEX, 5X18, S	2	
1-9	0170631A200	GASKET, CYLINDER	1	
1-11	04100601210	RING, PISTON	1	
1-12	0300007090	SET, PISTON	1	Includes piston rings & circlips
1-13	03901620200	CIRCLIP, PISTON PIN	2	
1-14	03706500200	PIN, PISTON	1	
1-16	0460713080	CRANKSHAFT	1	~B001000
1-16	0460713081	CRANKSHAFT	1	From B001001 thru D014650
1-16	0460713580	CRANKSHAFT	1	D014651~
1-17	99962081225	BEARING, NEEDLE, F-810	1	
1-18	06810100200	KEY, WOODRUFF, 3X13X4.5	1	~B001001
1-40	1782054620	CORD B	1	
1-46	99463040154	BOLT, HEX, 4X15, PS	2	
1-50	1672054691	COIL, IGNITION	1	
1-56	56020517200	CAP, RUBBER	1	
1-58	1780136M800	CORD, STOP	2	



ITEM	PART NUMBER	DESCRIPTION	QTY	COMMENTS
2-19	33000200210	SHIM,12.2X19X.10	V	Shims are "as needed" to obtain correct side clearance
2-19	33000200220	SHIM,12.2X19X.15	V	
2-19	33000200230	SHIM,12.2X19X.20	V	
2-19	33000200240	SHIM,12.2X19X.30	V	
2-22	7980304520	PULLEY,STARTER	1	
2-31	0720712090	CRANKCASE ASSY	1	Includes bearings, seals and gasket
2-32	99966122240	SEAL,OIL,#12227	2	
2-33	99961600100	BEARING,BALL,#6001	2	
2-34	0900641020	GASKET,CRANKCASE	1	
2-36	99461050184	BOLT,HEX,5X18,S	3	
2-51	1552055080	ROTOR,MAGNETO	1	~B001001
2-51	1552055081	ROTOR,MAGNETO	1	B001001~
2-52	99201080011	WASHER,8	1	
2-54	99101080011	NUT,8	1	

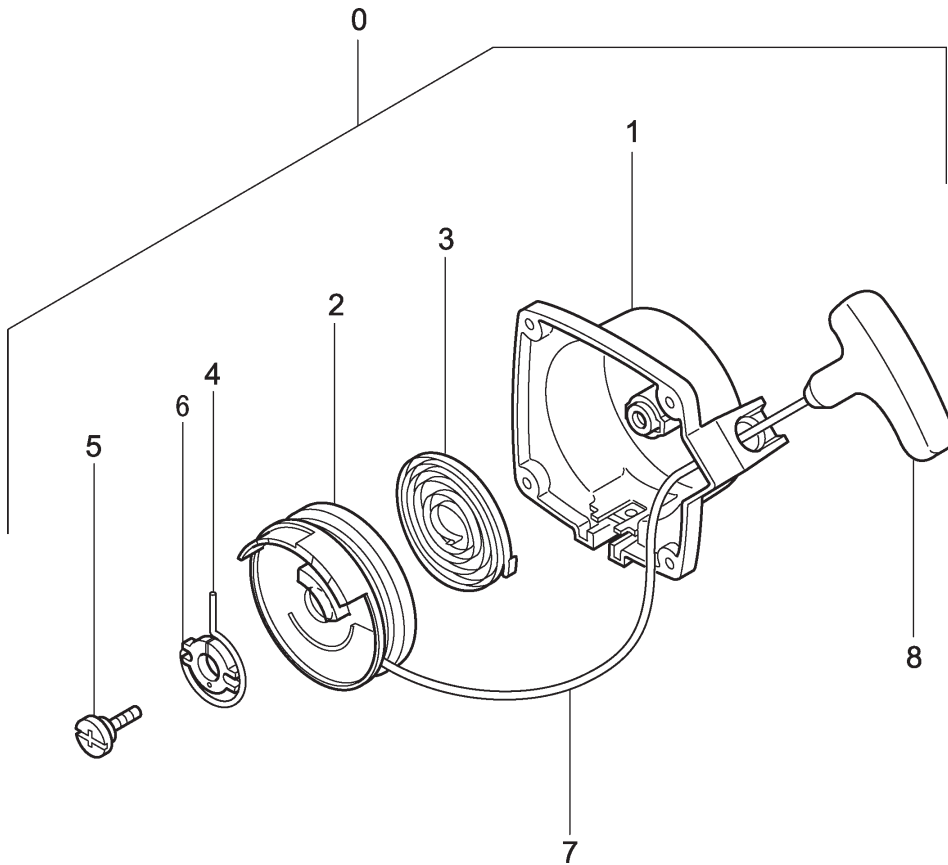


ITEM	PART NUMBER	DESCRIPTION	QTY	COMMENTS
3-40	4030631A20	GASKET, INLET MANIFOLD	1	
3-41	4040099F90	SET, CARB INSULATOR	1	
3-42	4020602K21	GASKET, CARBURETOR	1	
3-47	99464050224	BOLT, HEX, 5X22, WS	2	
3-55	99414050601	SCREW, 5X60	2	
3-56	99201050011	WASHER, 5	2	
3-59	2230700090	SHIELD, TUBE	1	
3-60	68000731201	CLIP 6.3	1	
3-61	6750404280	FILTER, FUEL	1	
3-62	5910713521	TANK, FUEL	1	
3-63	5950300290	CAP, TANK (BLACK/RED)	1	
3-64	65900801200	COLLAR	3	
3-65	4550713990	CARBURETOR SET	1	
3-67	99463050164	BOLT, HEX, 5X16, PS	2	
3-68	99463050205	BOLT, HEX, 5X20PS	1	
3-78	70003005080	PIPE, FUEL 3X5X80	1	
3-79	53432710200	GROMMET, FUEL PIPE	1	



**Units after S/N B205033
(built in spark plug cover)**

ITEM	PART NUMBER	DESCRIPTION	QTY	COMMENTS
4-1	7380716220	PROTECTOR,MUFFLER	1	With built in spark plug cover
4-2	3800641020	SCREW,COVER	1	
4-3	99201040061	WASHER,4	1	
4-4	99073045124	SCREW,TAPPING,4.5X12	1	
4-5	99051050503	BOLT,HEX,5X50	2	
4-6	99201050061	WASHER,5	2	
4-7	7040713990	MUFFLER SET	1	S/N ~B205033
4-8	99210040062	WASHER,SPRING 4	1	
4-16	7370700020	GASKET,MUFFLER	1	
4-17	1330654020	SHIELD,HEAT	1	
4-24	99463040154	BOLT,HEX,4X15,PS	4	
4-30	2570712420	COVER,PLUG	1	
4-31	35902103200	WASHER,CLUTCH,B	2	
4-32	2900641080	SHOE,CLUTCH	2	
4-33	3420641020	SPRING,CLUTCH	1	
4-34	3480654020	PLATE,CLUTCH	2	
4-35	35700601200	BOLT,STEP,CLUTCH	2	
4-36	99464050184	BOLT,HEX,5X18,WS	2	
4-38	99205080030	WASHER,8	2	S/N ~B205033
4-39	99072045204	SCREW,TAPPING,4.5X20	1	
4-45	99464050304	BOLT,HEX,5X30,WS	1	
4-63	19811600800	R-B 19811660800 CLAMP	1	S/N ~B205033
4-70	20210200201	GROMMET,SECONDARY CORD	1	
4-71	0110641020	COVER,COLLAR	1	
4-77	75104200201	GASKET,MUFFLER	2	
4-78	7340099K90	PIPE,EXHAUST	1	
4-79	99434040081	SCREW,4X8/S	2	
4-80	7320099F90	SET,SPARK ARRESTER	1	

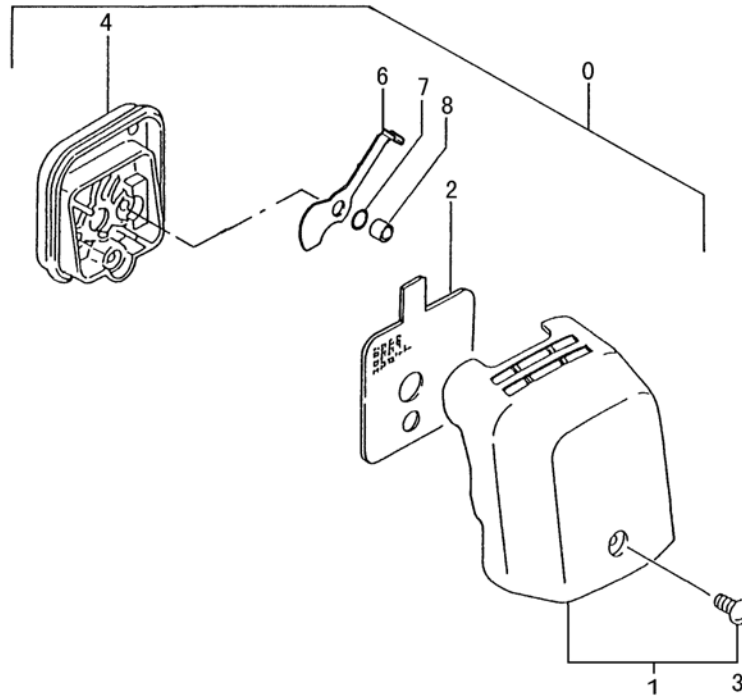


748744

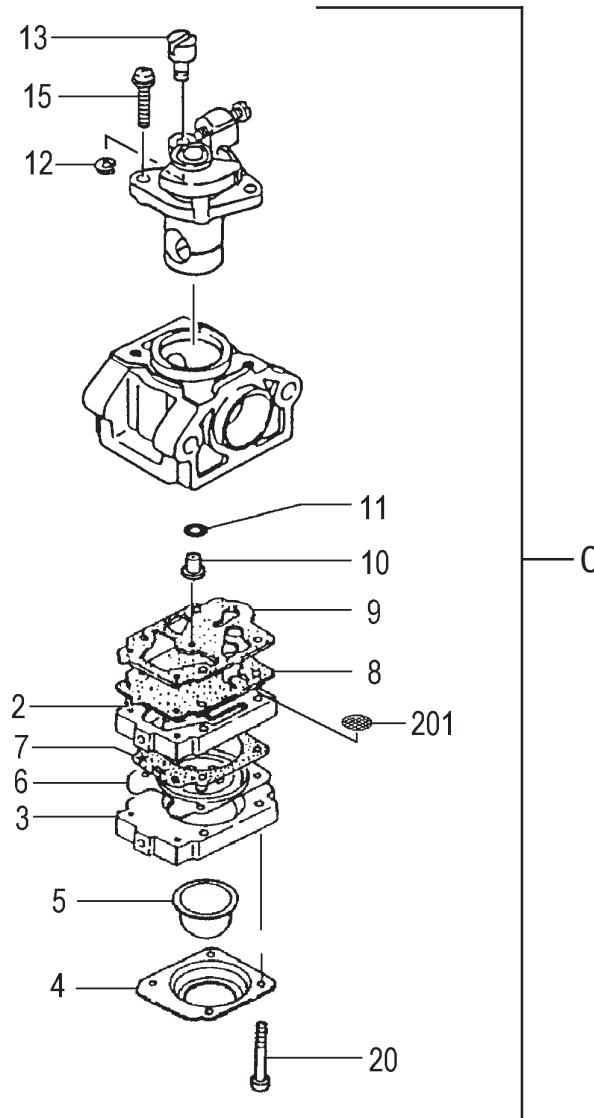


Consider ordering the 748744, S-Start Kit if you are replacing the starter ass'y. It decreases the pull-effort by 60%. They are dependable and easy to install.

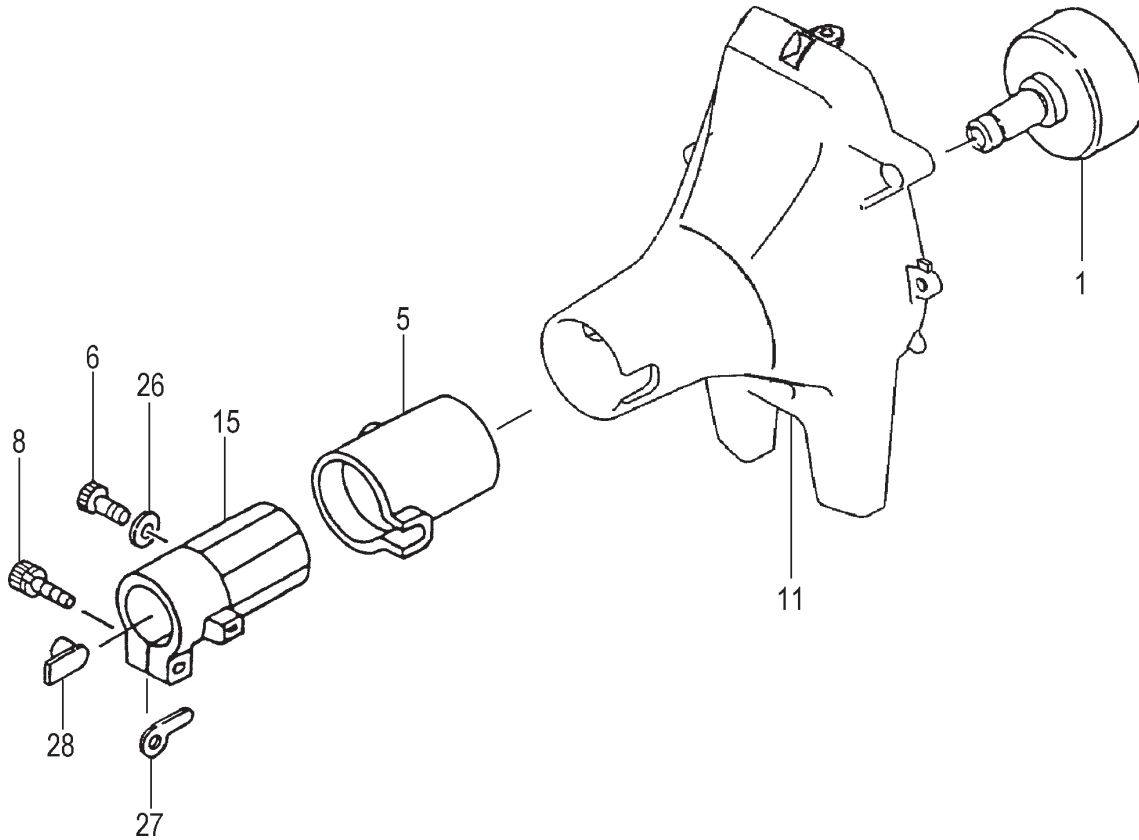
ITEM	PART NUMBER	DESCRIPTION	QTY	COMMENTS
5-0	7620304590	STARTER ASS'Y	1	
5-1	7720304580	BODY,STARTER	1	
5-2	7740304520	PULLEY,STARTER	1	
5-3	7790304520	SPRING,RECOIL	1	
5-4	7770304520	ARM,SWING	1	
5-5	8390304520	SCREW,SET	1	
5-6	7710304520	STAY,PULLEY	1	
5-7	7830304520	ROPE,STARTER	1	
5-8	7850304520	HANDLE,STARTER	1	



ITEM	PART NUMBER	DESCRIPTION	QTY	COMMENTS
6-0	4100714290	CLEANER,ASS'Y	1	
6-1	4520007090	SET,CLEANER COVER	1	
6-2	4210007020	ELEMENT,CLEANER	1	
6-3	3800637C200	BOLT,CLEANER COVER	1	
6-4	4230007081	BODY,CLEANER	1	
6-6	5280714320	PLATE,CHOKE	1	
6-7	99204080030	WASHER,8	1	
6-8	6573252A20	COLLAR 8	1	

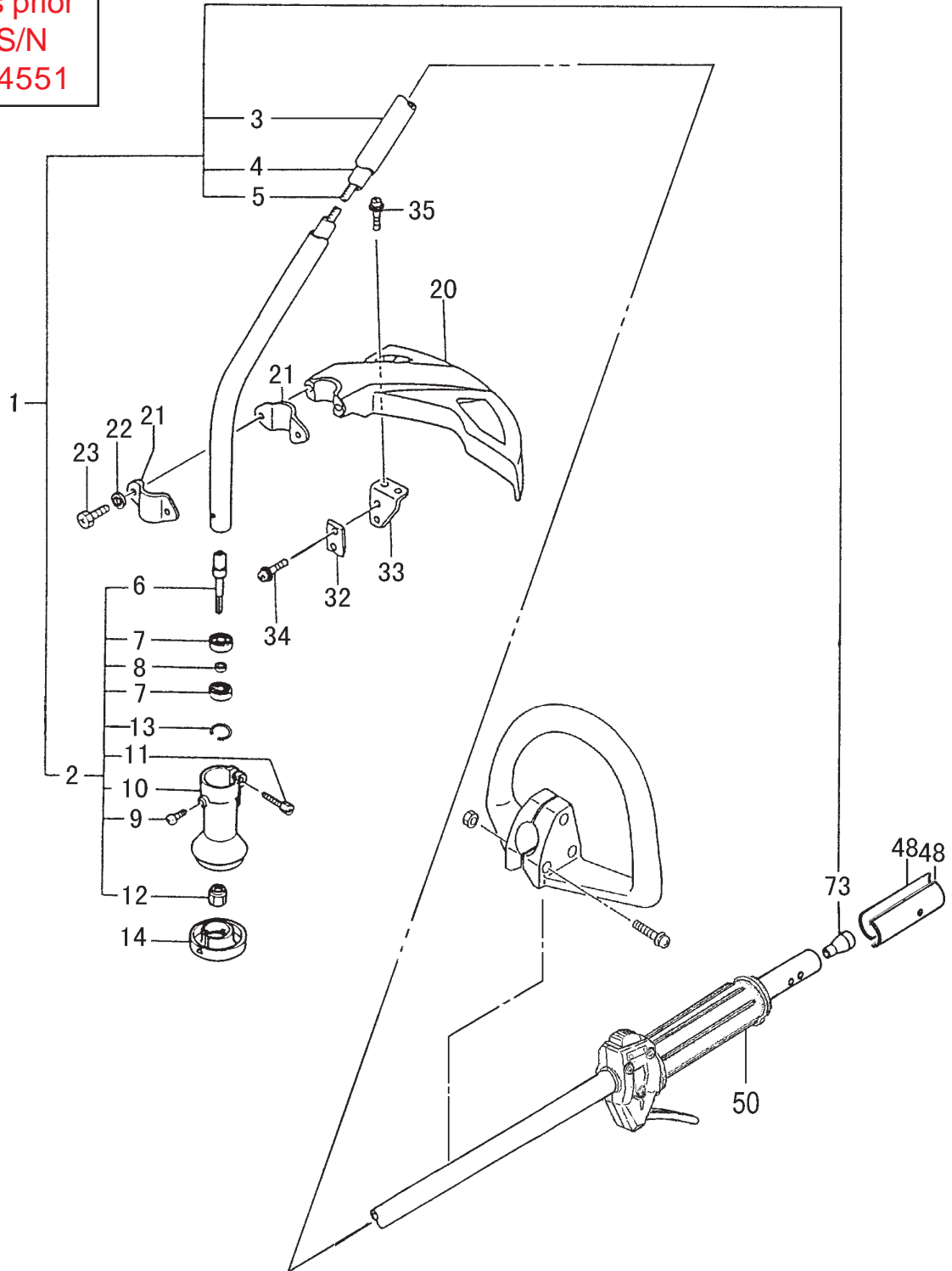


ITEM	PART NUMBER	DESCRIPTION	QTY	COMMENTS
7-0	4550713990	CARBURETOR SET	1	
7-2	5752515380	BODY,PUMP	1	
7-3	4422515180	PUMP,PRIMING	1	
7-4	4762515120	COVER,DIAPHRAGM	1	
7-5	44725108200	BULB,PRIMING	1	
7-6	~ ~ ~	DIAPHRAGM,METERING	1	
7-7	~ ~ ~	GASKET,DIAPHRAGM	1	~ Contained in Carb Repair Kit #650.25140.900 (Not available individually)
7-8	~ ~ ~	DIAPHRAGM,PUMP	1	
7-9	~ ~ ~	GASKET,PUMP	1	
7-10	5992000W38	JET,MAIN #38	1	
7-11	55025100200	O-RING	1	
7-12	48925100200	RING,STOP	1	
7-13	53925120200	SWIVEL	1	
7-15	54825140200	SCREW,THROTTLE SET	2	
7-20	5482515120	SCREW,SET	4	
7-201	57825007200	SCREEN,INLET	1	



ITEM	PART NUMBER	DESCRIPTION	QTY	COMMENTS
8-1	2890713080	SHAFT,CLUTCH	1	
8-5	5990712021	CUSHION,ANTI-VIBE	1	
8-6	99051050163	BOLT,HEX,5X16	1	
8-8	99461050254	BOLT,HEX HOLE,5X25S	1	
8-11	1120712480	CASE,FAN,(ORANGE)	1	
8-15	3600099620	PIPE HOLDER,TPE	1	
8-26	99201050061	WASHER,5	1	
8-27	3243735020	WASHER,GEAR CASE	1	
8-28	3610099020	FITTING,METAL	1	

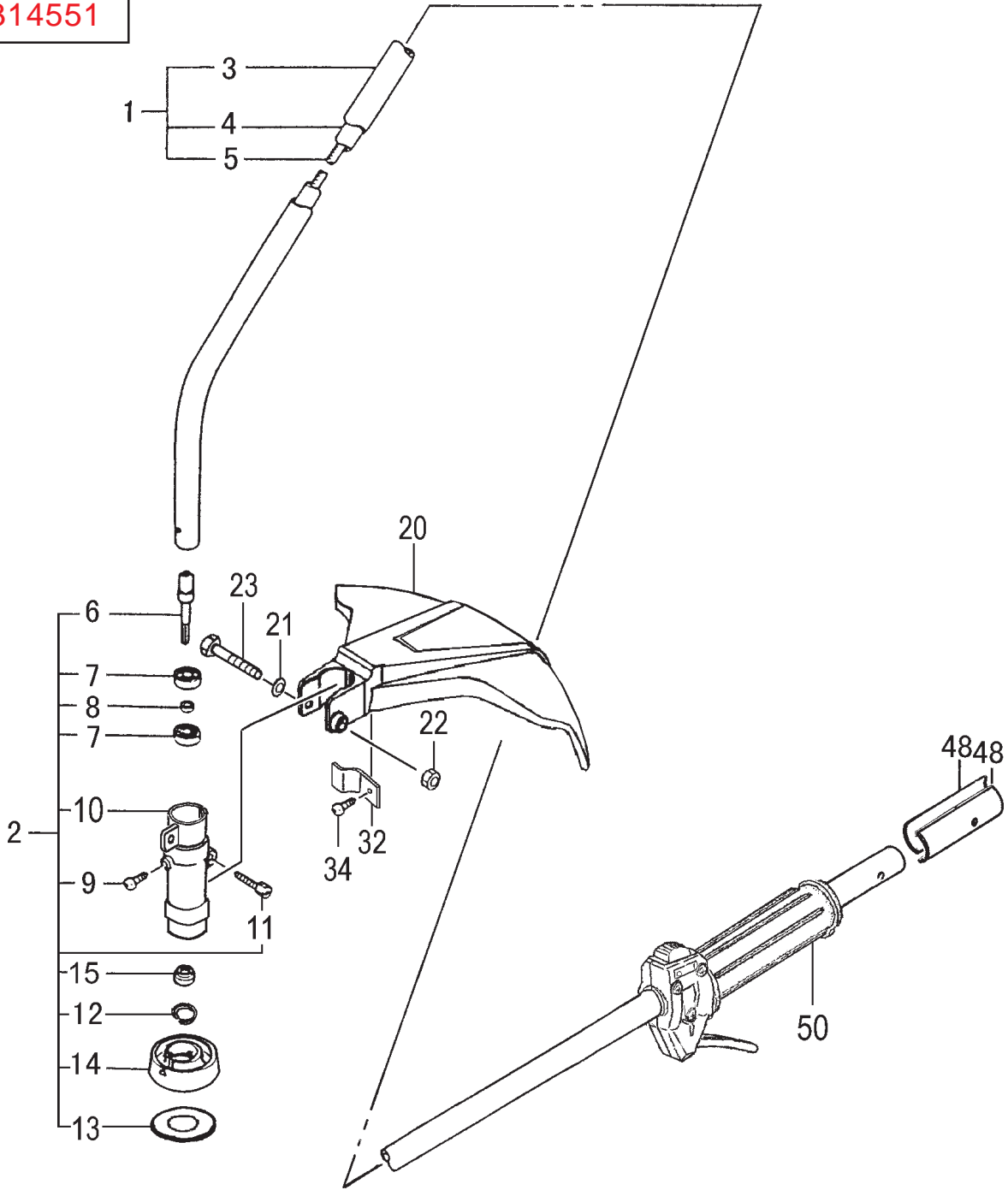
Units prior
to S/N
A314551



DRIVE SHAFT, SAFETY GUARD & GEAR CASE • FIGURE 9

ITEM	PART NUMBER	DESCRIPTION	QTY	COMMENTS
9-1	3413737A91	SHAFT,DRIVE ASS'Y	1	
9-2	3003771091	CASE,GEAR,ASS'Y	1	
9-3	3413737A20	SHAFT,DRIVE	1	
9-4	35037651210	LINER,FLEXIBLE	1	
9-5	3443765121	SHAFT,FLEXIBLE	1	
9-6	3043765121	SHAFT,CUTTER	1	
9-7	99961608004	BEARING,BALL,608DD	2	
9-8	3483765120	COLLAR	1	
9-9	99011050081	SCREW,5X8	1	
9-10	3003771021	CASE,GEAR	1	
9-11	99425050301	BOLT,PS,5X30	1	
9-12	31537710200	NUT,SPECIAL	1	
9-13	99353022002	RING,STOP,R22 IN	1	
9-14	3103771020	HOLDER,CUTTER	1	
9-20	44137701810	COVER,SAFETY	1	
9-21	4423771020	BRACKET,SAFETY GUARD	2	
9-22	99210060012	WASHER,S,6	2	
9-23	99023060161	BOLT,6X16 PLUS	2	
9-32	7973771420	BLADE,LINE LIMITER	1	
9-33	7983771420	BRACKET,LIMITER	1	
9-34	99414040081	SCREW,4X8	2	
9-35	99415050161	SCREW,5X16/PS	2	
9-48	3463737A20	HOLDER	2	
9-50	5093845320	GRIP,SHAFT	1	
9-73	32037651200	SPACER	1	

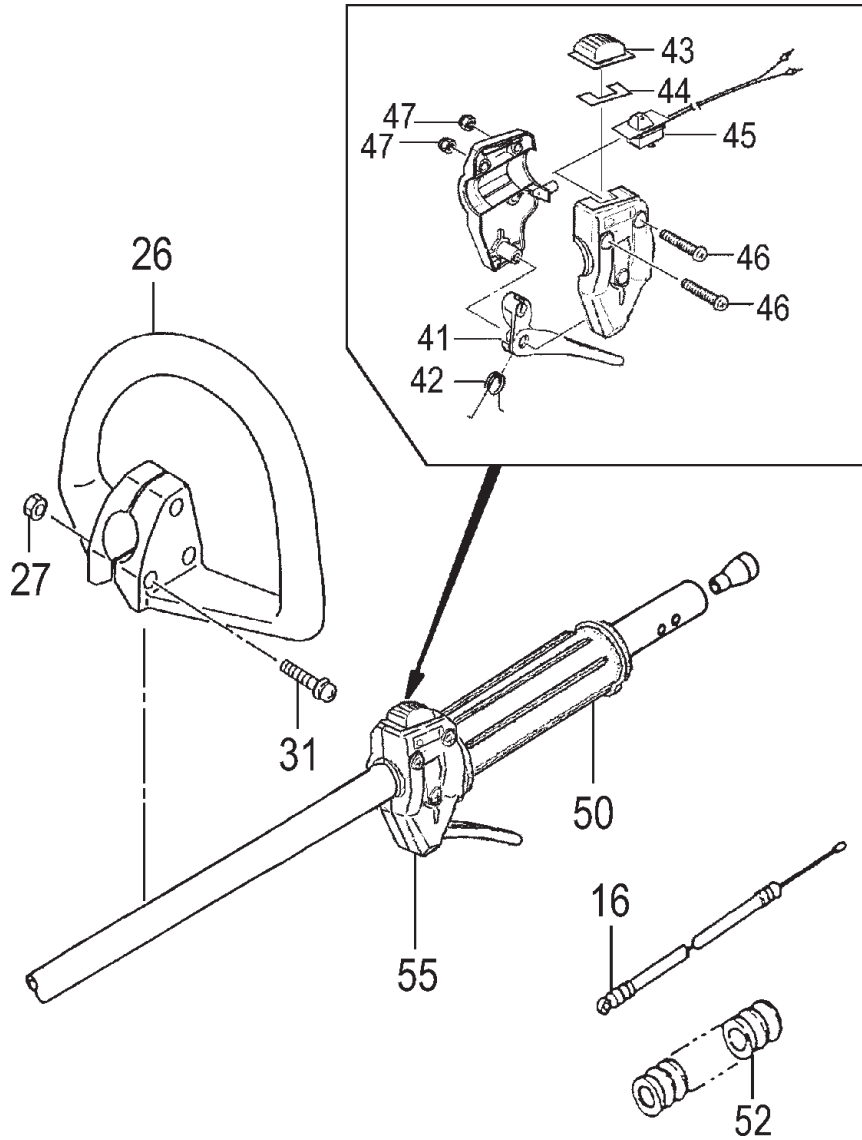
Units after
S/N
A314551



DRIVE SHAFT, SAFETY GUARD & GEAR CASE • FIGURE 9

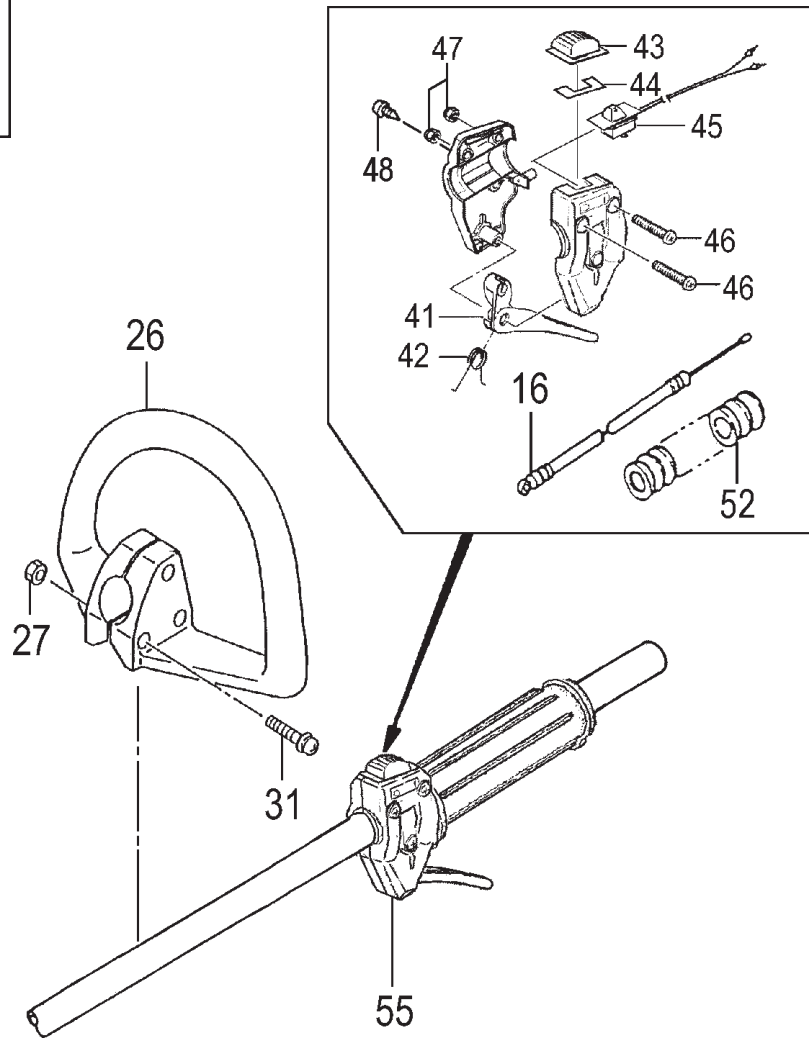
ITEM	PART NUMBER	DESCRIPTION	QTY	COMMENTS
9-1	3533847490	SHAFT PIPE SET	1	Units after S/N A314551~
9-2	3003847490	CASE,GEAR,ASS'Y	1	
9-3	3413847420	PIPE,DRIVE SHAFT	1	
9-4	3503847420	LINER,FLEXIBLE	1	
9-5	3443847420	SHAFT,FLEXIBLE	1	
9-6	3043847420	SHAFT,CUTTER	1	
9-7	99961608001	BEARING,BALL,#608LB	2	
9-8	3483847420	COLLAR,5	1	
9-9	99021050101	BOLT,5x10	1	
9-10	3003847420	CASE,GEAR	1	
9-11	99021050301	BOLT,5X30	1	
9-12	99210080012	WASHER,S,8	1	
9-13	3203847420	SPACER	1	
9-14	3103847420	HOLDER,CUTTER	1	
9-15	7603847420	WASHER,SPECIAL	1	
9-20	4413845220	GUARD,SFAETY	1	
9-21	99201060011	WASHER,6	1	
9-22	99101060011	NUT,6	1	
9-23	99023060451	BOLT,6x45	1	
9-32	7973845220	KNIFE	1	
9-34	99073050164	SCREW,TAPPING,5X16	1	
9-48	3463737A20	HOLDER	2	
9-50	5093845320	GRIP,SHAFT	1	

Units prior
to S/N
A314551

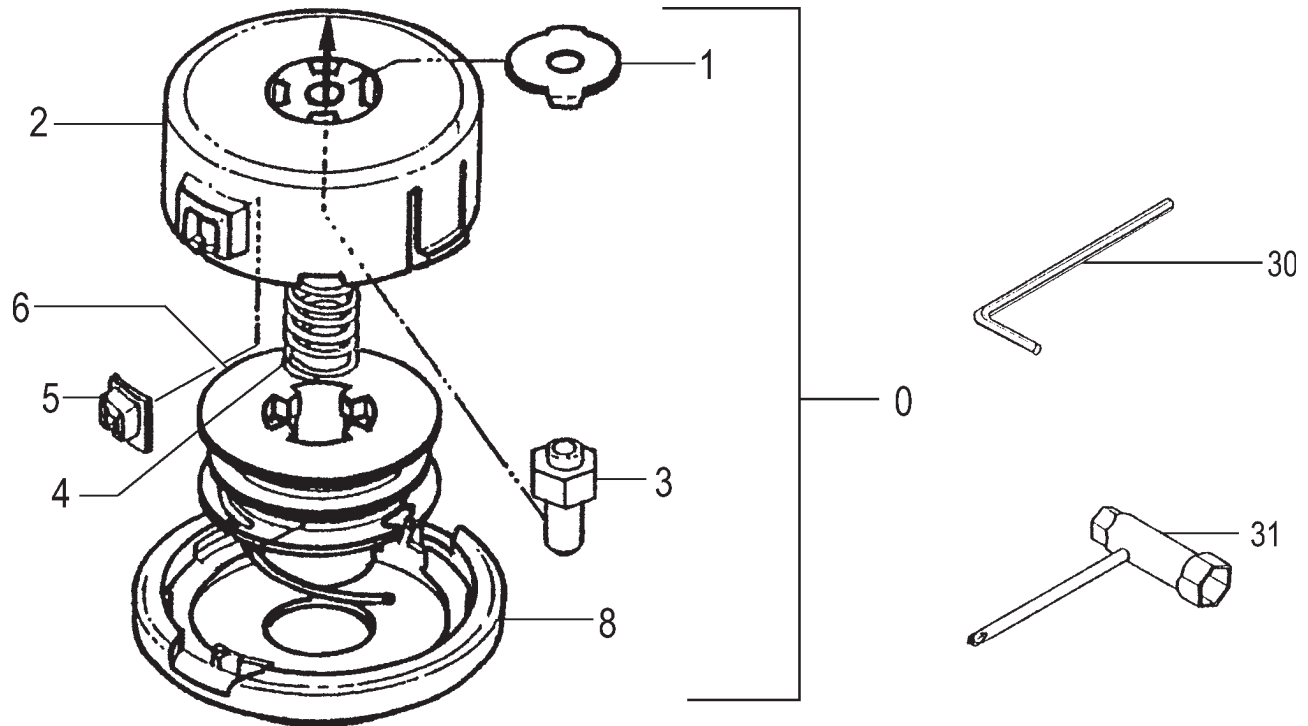


ITEM	PART NUMBER	DESCRIPTION	QTY	COMMENTS
10-16	8853845191	WIRE, THROTTLE	1	Includes swivel cap
10-26	5003845220	HANDLE, FRONT	1	
10-27	99101050041	NUT, 5	3	
10-31	99416050302	SCREW, 5x30, WS	3	
10-41	8803845120	LEVER, THROTTLE	1	
10-42	8323845120	SPRING, RETURN	1	
10-43	1623845120	SWITCH, STOP	1	
10-44	9253845120	DECAL, STOP SWITCH	1	
10-45	1563845180	SWITCH, STOP	1	
10-46	99011050301	SCREW, 5X30	3	
10-47	99101050011	NUT, 5	3	
10-50	5093845320	GRIP	1	
10-52	1640701701	TUBE, PROTECTION, 7x170	1	
10-55	8703845290	LEVER, THROTTLE ASSY	1	

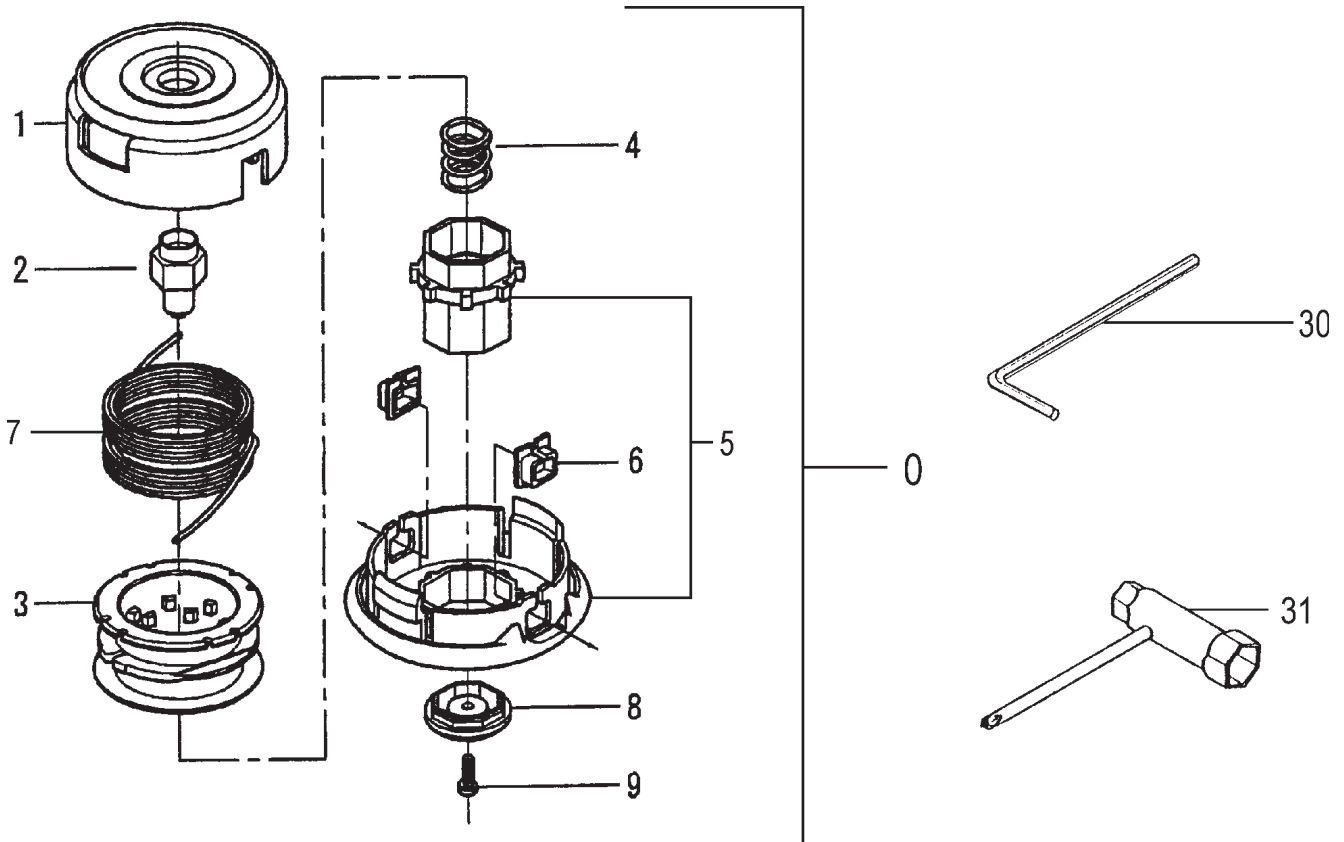
Units after
S/N
A314551



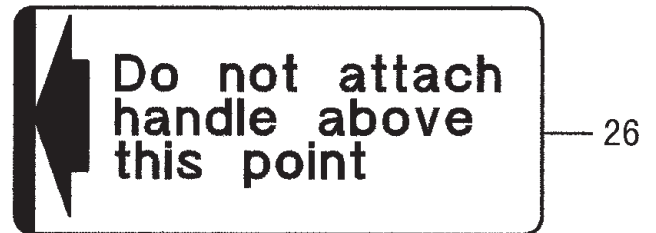
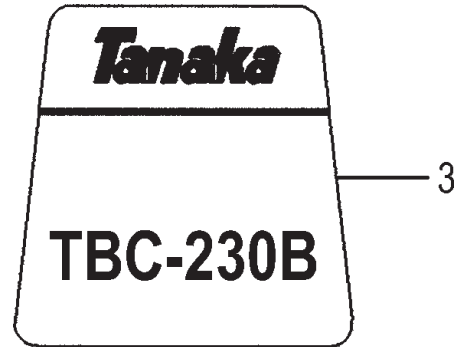
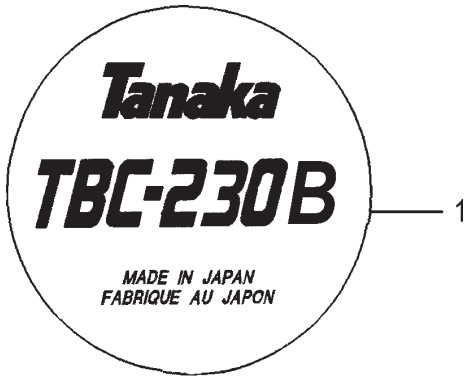
ITEM	PART NUMBER	DESCRIPTION	QTY	COMMENTS
10-16	8853845191	THROTTLE WIRE SET	1	
10-26	5003845220	HANDLE,FRONT	1	
10-27	99101050041	NUT,5	3	
10-31	99416050302	SCREW,5x30,WS	3	
10-41	8803845120	LEVER,THROTTLE	1	
10-42	8323845120	SPRING,RETURN	1	
10-43	1623845120	BUTTON,STOP	1	
10-44	9253845120	DECAL,STOP SWITCH	1	
10-45	1563845180	SWITCH,STOP	1	
10-46	99011050301	SCREW,5X30	3	
10-47	99101050011	NUT,5	3	
10-48	99072050144	SCREW,TAPPING,5X14	1	
10-52	1640701701	TUBE,PROTECTION,7x170	1	
10-55	8703847490	LEVER,THROTTLE ASSY	1	



ITEM	PART NUMBER	DESCRIPTION	QTY	COMMENTS
11-0	746651	HEAD,SEMI-AUTO,4"	1	~B001001
11-1	7603777020	PLATE, TOP	1	
11-2	7863777020	BODY,CUTTING	1	
11-3	3563777020	ADAPTER,8x1.25,RHF	1	
11-4	7933777020	SPRING	1	
11-5	7883777020	EYELET	2	
11-6	7873777020	REEL	1	
11-8	7893777020	CAP,BODY	1	
11-30	81320000200	WRENCH,HEX,4	1	
11-31	8262000080	SPANNER,COMBI,17X19	1	



ITEM	PART NUMBER	DESCRIPTION	QTY	COMMENTS
11-0	746852	HEAD,SEMI-AUTO,4" CURVED	1	B001001~
11-1	7863847420	CUTTING BODY	1	
11-2	3563847420	SPECIAL NUT,RH	1	
11-3	7873819520	REEL	1	
11-4	7933819520	SPRING	1	
11-5	4023819500	CAP-SLIDER SET	1	
11-6	7883819520	EYELET	2	
11-7	746560	TRIMMER LINE,.095	1	
11-8	4033819520	DISK	1	
11-9	99414050141	SCREW	1	
11-30	8132901460	WRENCH,HEX 14	1	
11-31	8262901460	SPANNER,COMBI 17x19	1	



WARNING! •Read the Operator's Manual and follow all warnings and safety instructions. Failure to do so can result in serious injury to the operator and/or bystanders. •Objects may be thrown or ricochet in all directions. **ALWAYS WEAR EYE PROTECTION.** •Keep bystanders at least 50 feet (15 m) away. •To reduce the chance of hearing loss, always wear ear protection. •To reduce the risk of injury from loss of control, never use a metal blade on a curved shaft grass trimmer. Never use a metal blade on any brushcutter without barrier bar or bicycle handle configuration and safety strap •Use of a blade may cause a sudden sideways, forward or backward motion of the brushcutter when the blade contacts a solid object. See Owner's manual for model specific details.

10

ITEM	PART NUMBER	DESCRIPTION	QTY	COMMENTS
12-1	9060713320	DECAL,TBC-230B	1	
12-3	9290713520	DECAL,TBC-230B	1	
12-4	92337400200	DECAL,LEVEL	1	
12-10	9193782020	DECAL,CAUTION A	1	
12-26	9233738F20	DECAL,LEVEL	1	

Date: December 2004

Model & Serial: TBC-230 / TBC-230B
 A211451 and later

Reason: We have received field reports that some units may not idle properly or may not be adjustable to an acceptable idle RPM. In this situation the likely cause of this is the length of the throttle cable. A longer throttle cable, which allows for more idle speed adjustment is listed below and will correct this condition. In addition a swivel cap is included to assist with the retention of the new longer throttle wire.

Comments: The new throttle wire inner length changes from the current 87.5mm to 91mm in the new wire. After connecting the throttle wire to the carburetor swivel install the swivel cap as shown in Fig. 1-6A. With the new throttle wire installed it will be necessary to check and adjust the idle RPM.

Part Number Changes:

Old Part #	New Part #	Description
	885-38451-91	Throttle wire complete
N/A	560-07120-20	Swivel cap (#2)
N/A	885-38451-91	Throttle wire set

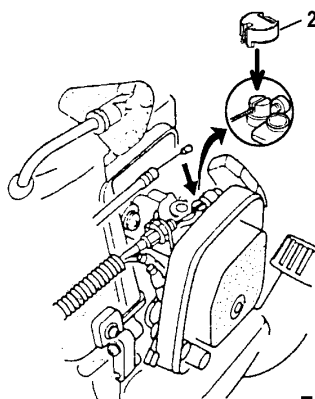
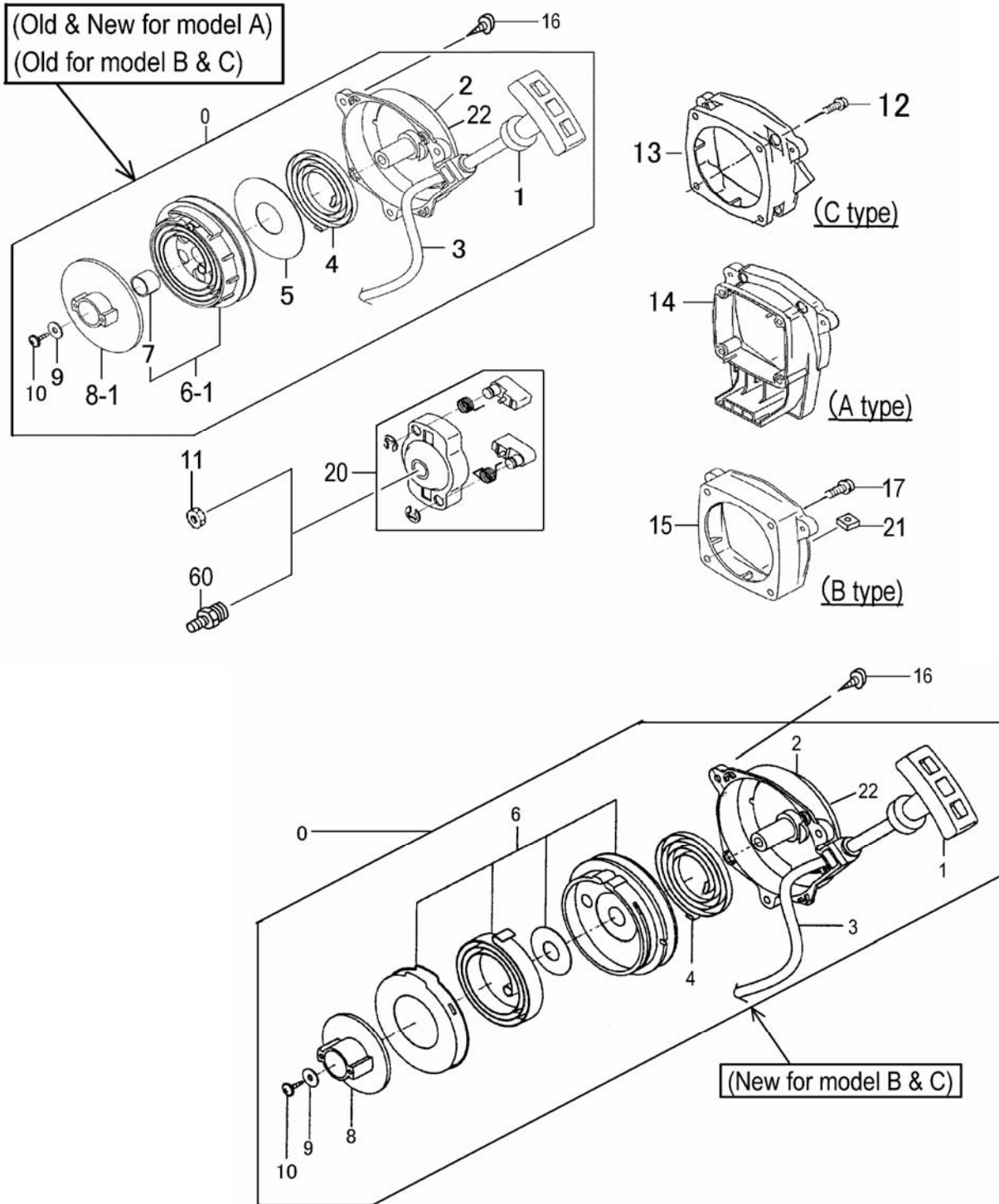


Fig. 1-6A

S · START KIT

	Order Number
A --- TBC2501/D, TPH2501, TPS-2501, TPE2501	748733
B --- TBC230/230B/230D	748744
C --- TBC290/290D/340/340D	748732



S-Start Parts Information

REF. NUMBER	PART NUMBER	DESCRIPTION	Q'TY		
			A	B	C
	756-07075-00	S·START KIT (TBC2501)	1		
	756-07120-00	S·START KIT (TBC230)		1	
	756-07027-00	S·START KIT (TBC290)			1
000	762-07075-90	RECOIL STARTER BODY ASS'Y	1		
000	762-07085-90	RECOIL STARTER BODY ASS'Y		1	
000	762-07027-90	RECOIL STARTER BODY ASS'Y			1
001	785-07085-20	STARTER HANDLE	1	1	1
002	772-07085-80	RECOIL STARTER BODY COMP,	1	1	1
003	783-07085-20	RECOIL ROPE	1	1	1
004	780-07085-20	RECOIL SPRING	1	1	1
005	786-07085-20	SPRING PLATE	1	1	1
006,1	778-07027-90	RECOIL SPRING CASE ASS'Y	1		1
006,1	778-07085-90	RECOIL SPRING CASE ASS'Y		1	
006,1	778-07075-90	RECOIL SPRING CASE ASS'Y	1		
006	778-07085-91	SORING CASE ASS'Y		1	1
007	328-07085-20	STARTER BUSH	1	1	1
008,1	774-07075-20	STARTER PULLEY	1		
008,1	774-07085-20	STARTER PULLEY		1	
008,1	774-07027-20	STARTER PULLEY			1
008	774-07085-21	STARTER PULLEY		1	
009	182-07085-20	SPECIAL WASHER 5.2X15	1	1	1
010	990-72050-144	TAPPING SCREW 5X14	1	1	1
011	991-01080-011	HEX. NUT 8			1
012	994-64040-185	HEX. HOLE BOLT 4X18WS			4
013	806-07027-20	STARTER BASE			1
014	806-07070-20	STARTER BASE	1		
015	806-07120-20	STARTER BASE		1	
016	990-73045-144	TAPPING SCREW 4.5X14	3	3	3
017	994-64040-125	HEX. HOLE BOLT 4X12WS		4	
020	798-07085-90	STARTER PULLEY ASS'Y	1	1	1
021	991-91050-001	SQUARE NUT 5		1	
022	915-07078-20	STARTER MARK (S·START)	1	1	1
060	314-07070-20	SPECIAL BOLT	1		