

Tanaka Illustrated Parts Manual

Model Number:

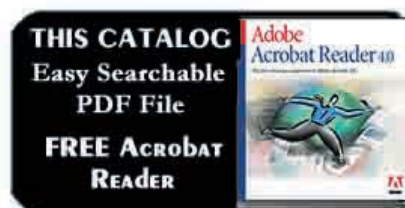
TBC-230

GRASS TRIMMER

P/N 31496

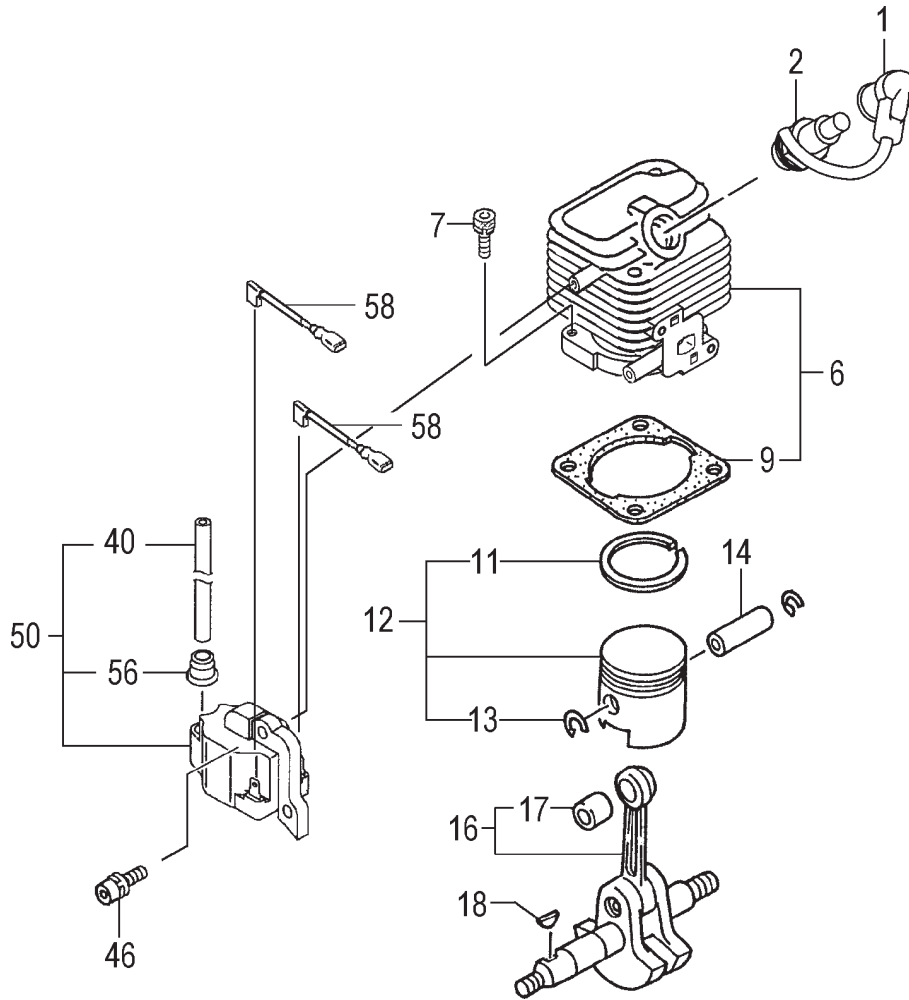
Rev 000

Date 5-3-07

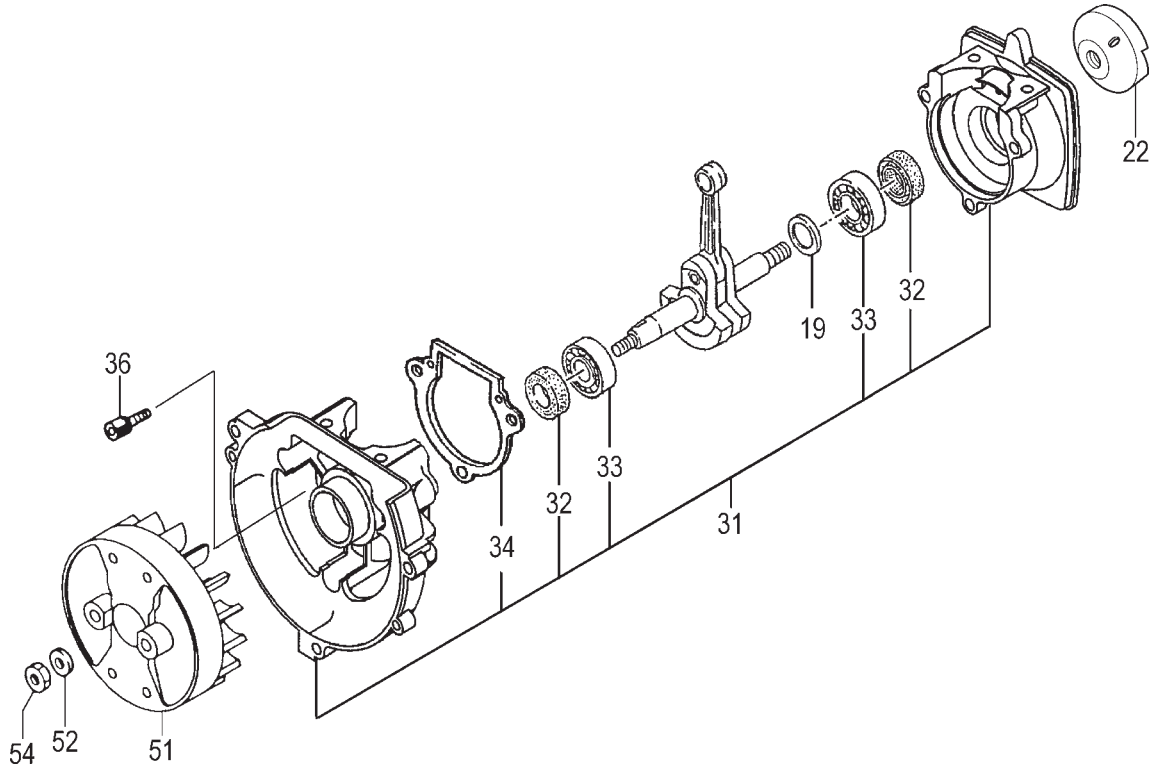


Nikko Tanaka Engineering U.S.A.,Ltd. • 1028 4th Street SW, Bldg B • Auburn, WA 98001 • Phone: (253) 333-1200 • Fax: (253) 333-1212

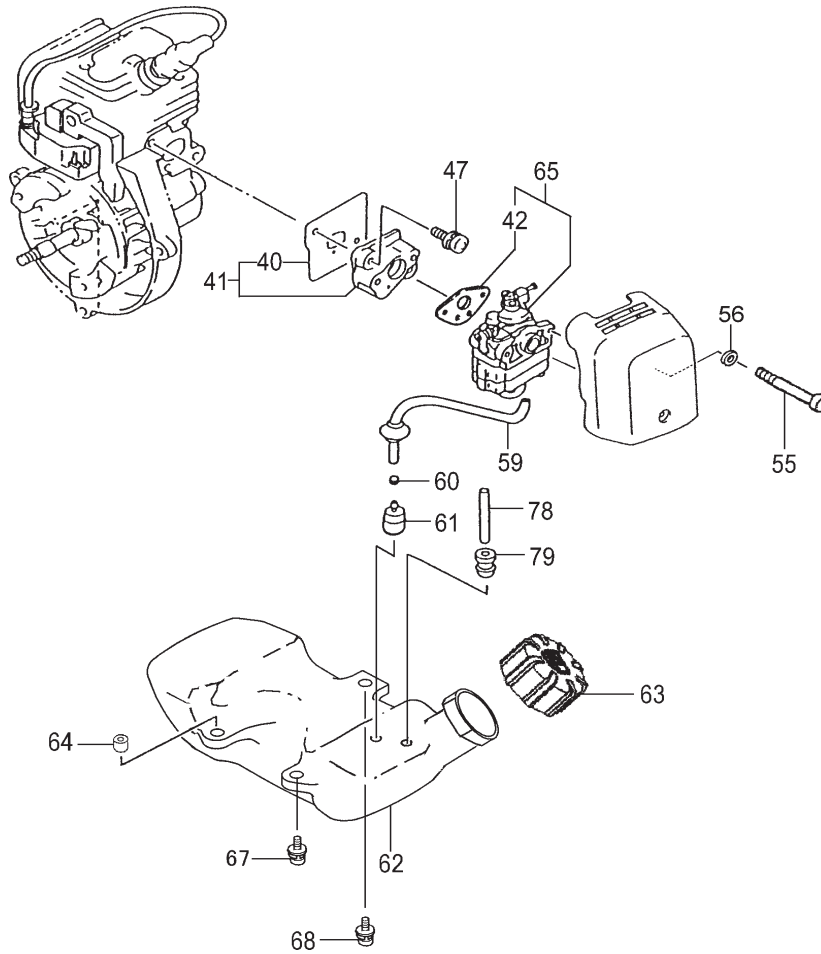
CYLINDER, PISTON, CRANKSHAFT • FIGURE 1



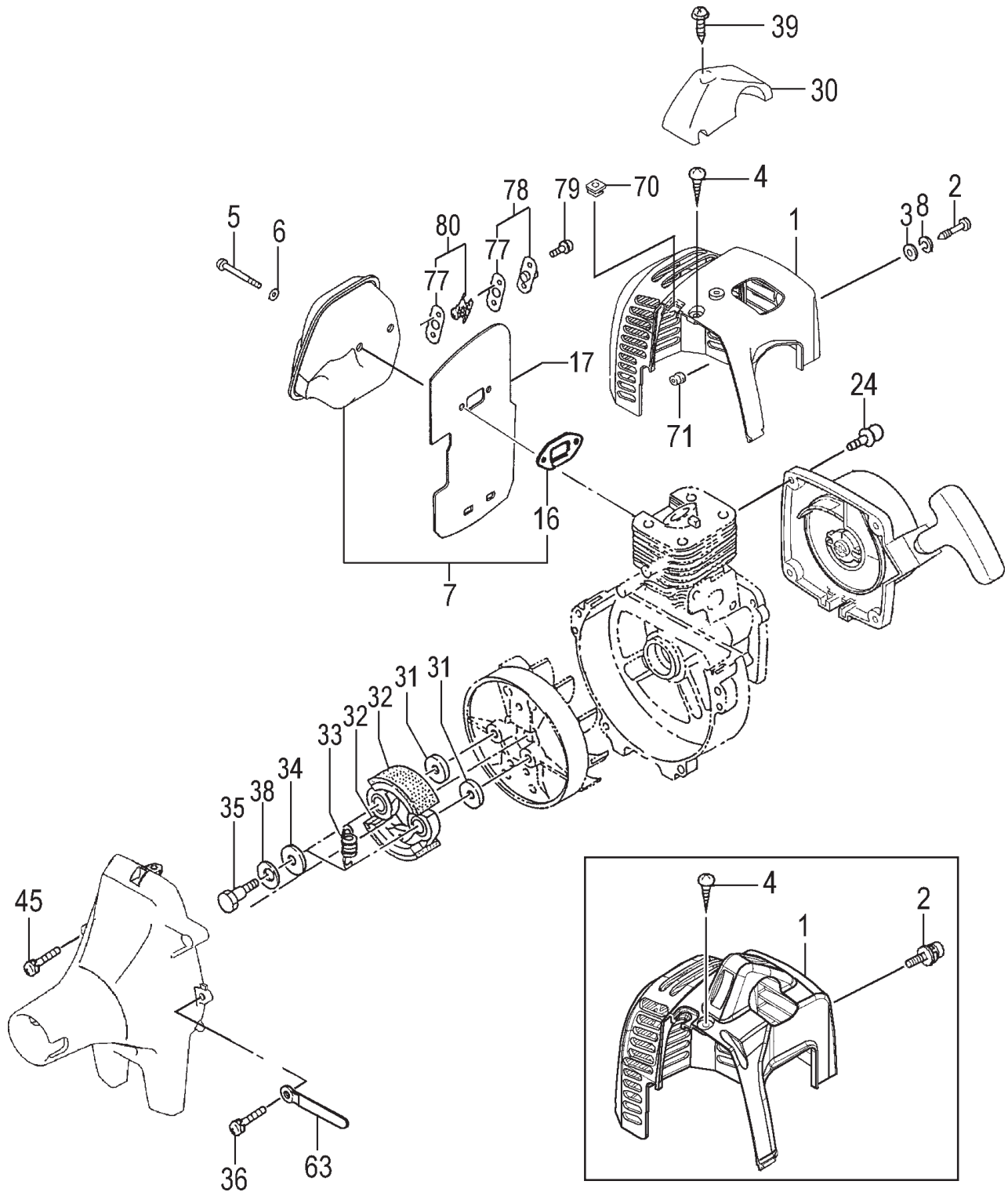
ITEM	PART NUMBER	DESCRIPTION	QTY	COMMENTS
1-1	1570157090	CAP, SPARK PLUG, ASSEMBLY	1	
1-2	0181166021	PLUG, SPARK	1	
1-6	0010713091	CYLINDER SET	1	Includes gasket
1-7	99461050184	BOLT, HEX, 5X18, S	2	
1-9	01700980200	GASKET, CYLINDER	1	
1-11	04100601210	RING, PISTON	1	
1-12	0300007090	PISTON SET	1	Includes piston rings and circlips
1-13	03901620200	CIRCLIP, PISTON PIN	1	
1-14	03706500200	PIN, PISTON	1	
1-16	0460713080	CRANKSHAFT	1	~B001000
1-16	0460713081	CRANKSHAFT	1	From B001001 thru D014650
1-16	0460713580	CRANKSHAFT	1	D014651~
1-17	99962081277	BEARING, NEEDLE, HK0810B	1	
1-18	06810100200	KEY, WOODRUFF, 3X13X4.5	1	~B001000
1-40	1782054920	CORD B	1	
1-46	99463040154	BOLT, HEX, 4X15, PS	2	
1-50	1672054691	COIL, IGNITION	1	
1-56	56020517200	CAP, RUBBER	1	
1-58	1780136M800	CORD, STOP	2	



ITEM	PART NUMBER	DESCRIPTION	QTY	COMMENTS
2-19	33000200210	SHIM,12.2X19X.10	1	Shims are "as needed" to obtain correct side clearance
2-19	33000200220	SHIM,12.2X19X.15	1	
2-19	33000200230	SHIM,12.2X19X.20	1	
2-19	33000200240	SHIM,12.2X19X.30	1	
2-22	7980304520	PULLEY,STARTER	1	
2-31	0720712090	CRANKCASE ASSY	1	Includes bearings, seals and gasket
2-32	99966122240	SEAL,OIL,#12227	2	
2-33	99961600100	BEARING,BALL,#6001	2	
2-34	0900641020	GASKET,CRANKCASE	1	
2-36	99461050184	BOLT,HEX,5X18,S	3	
2-51	1552055080	ROTOR,MAGNETO	1	~B001001
2-51	1552055081	ROTOR,MAGNETO	1	B001001~
2-52	99201080011	WASHER,8	1	
2-54	99101080011	NUT,8	1	

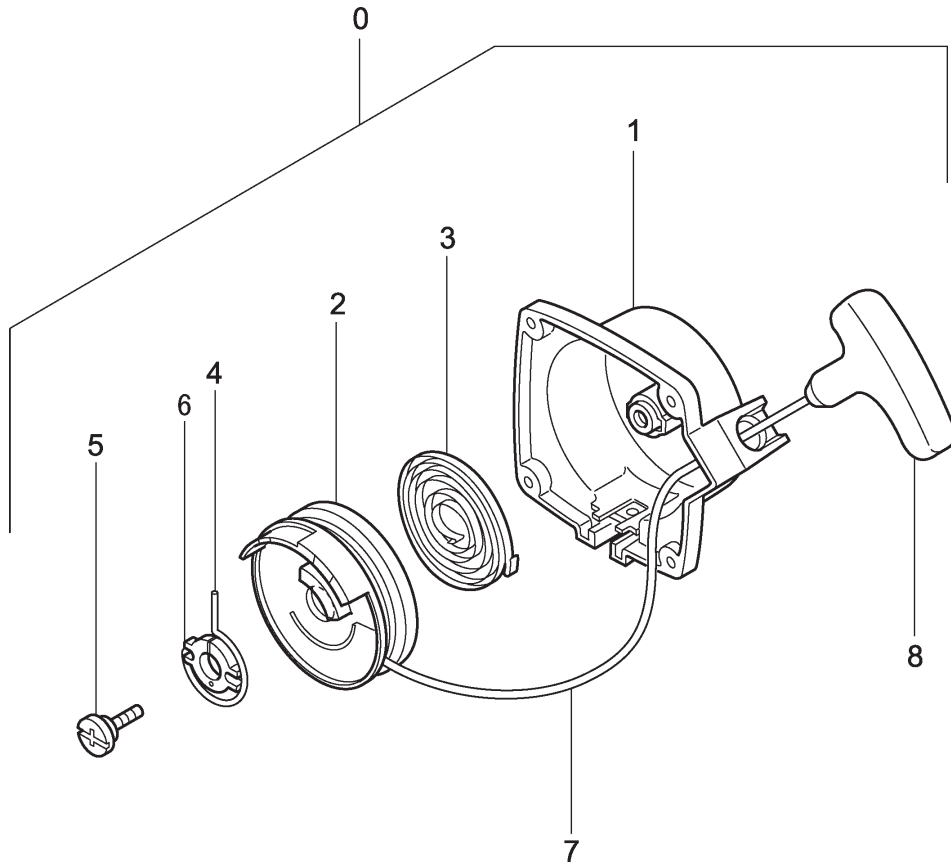


ITEM	PART NUMBER	DESCRIPTION	QTY	COMMENTS
3-40	4030631A20	GASKET,INLET MANIFOLD	1	
3-41	4040099F90	SET,CARB INSULATOR	1	
3-42	4020602K21	GASKET,CARBURETOR	1	
3-47	99464050224	BOLT,HEX,5X22,WS	2	
3-55	99414050601	SCREW,5X60	2	
3-56	99201050011	WASHER,5	2	
3-59	2230700090	SHIELD,TUBE	1	
3-60	68000731201	CLIP 6.3	1	
3-61	6750404280	FILTER,FUEL	1	
3-62	5910713521	TANK,FUEL,ORANGE	1	Before S/N ~D000000
3-62	5910717F20	TANKA,FUEL,EVAPO	1	After S/N D000001~
3-63	5950300290	CAP,TANK (BLACK/RED)	1	
3-64	65900801200	COLLAR	3	
3-65	4550713990	CARBURETOR SET	1	
3-67	99463050164	BOLT,HEX,5X16,PS	2	
3-68	99463050205	BOLT,HEX,5X20PS	1	
3-78	70003005080	PIPE,FUEL 3X5X80	1	
3-79	53432710200	GROMMET,FUEL PIPE	1	



**Units after S/N B205033
(built in spark plug cover)**

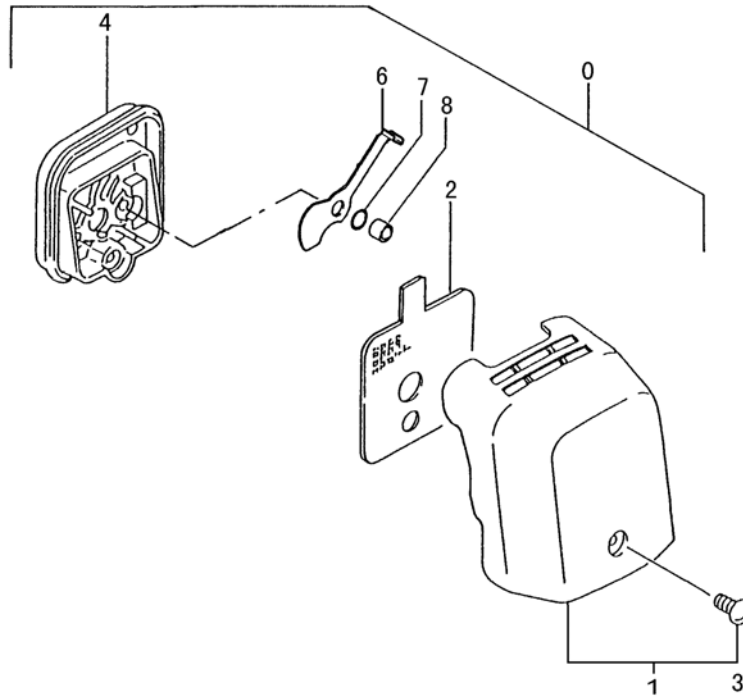
ITEM	PART NUMBER	DESCRIPTION	QTY	COMMENTS
4-1	7380716220	PROTECTOR,MUFFLER	1	With built in spark plug cover
4-2	3800641020	SCREW,COVER	1	
4-3	99201040061	WASHER,4	1	
4-4	99073045124	SCREW,TAPPING,4.5X12	1	
4-5	99051050503	BOLT,HEX,5X50	2	
4-6	99201050061	WASHER,5	2	
4-7	7040713990	MUFFLER SET	1	S/N ~B205033
4-8	99210040062	WASHER,SPRING 4	1	
4-16	7370700020	GASKET,MUFFLER	1	
4-17	1330654020	SHIELD,HEAT	1	
4-24	99463040154	BOLT,HEX,4X15,PS	4	
4-30	2570712420	COVER,PLUG	1	
4-31	35902103200	WASHER,CLUTCH,B	2	
4-32	2900641080	SHOE,CLUTCH	2	
4-33	3420641020	SPRING,CLUTCH	1	
4-34	3480654020	PLATE,CLUTCH	2	
4-35	35700601200	BOLT,STEP,CLUTCH	2	
4-36	99464050184	BOLT,HEX,5X18,WS	2	
4-38	99205080030	WASHER,8	2	S/N ~B205033
4-39	99072045204	SCREW,TAPPING,4.5X20	1	
4-45	99464050304	BOLT,HEX,5X30,WS	1	S/N ~B205033
4-63	19805015800	CLAMP,CORD	1	
4-70	20210200201	GROMMET,SECONDARY CORD	1	
4-71	0110641020	COVER,COLLAR	1	
4-77	75104200201	GASKET,MUFFLER	2	
4-78	7340099K90	PIPE,EXHAUST	1	
4-79	99434040081	SCREW,4X8/S	2	
4-80	7320099F90	SET,SPARK ARRESTER	1	



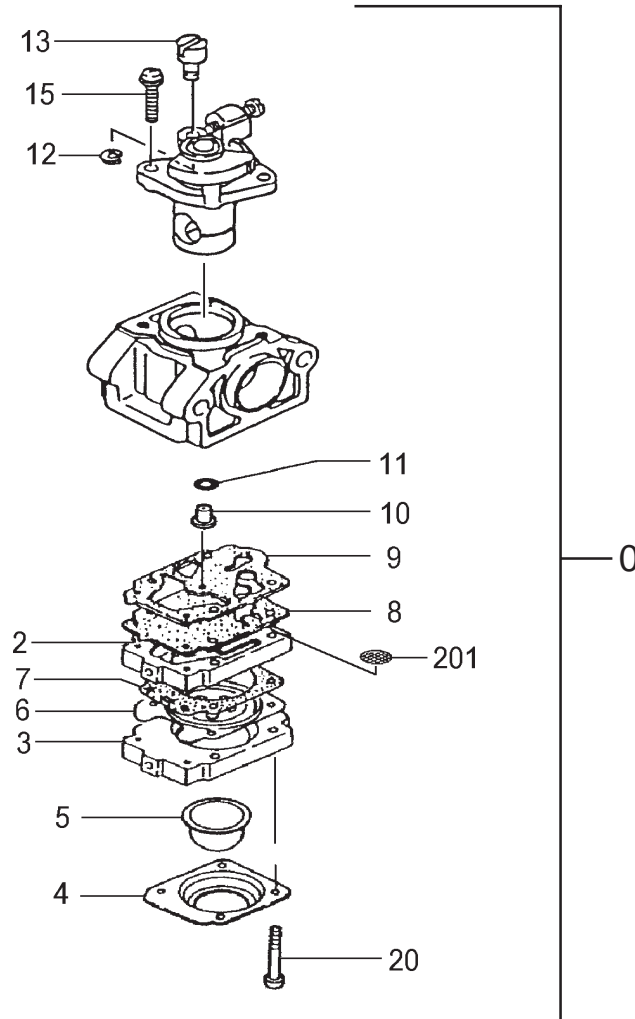
748744

Consider ordering the 748744, S-Start Kit if you are replacing the starter ass'y. It decreases the pull-effort by 60%. They are dependable and easy to install.

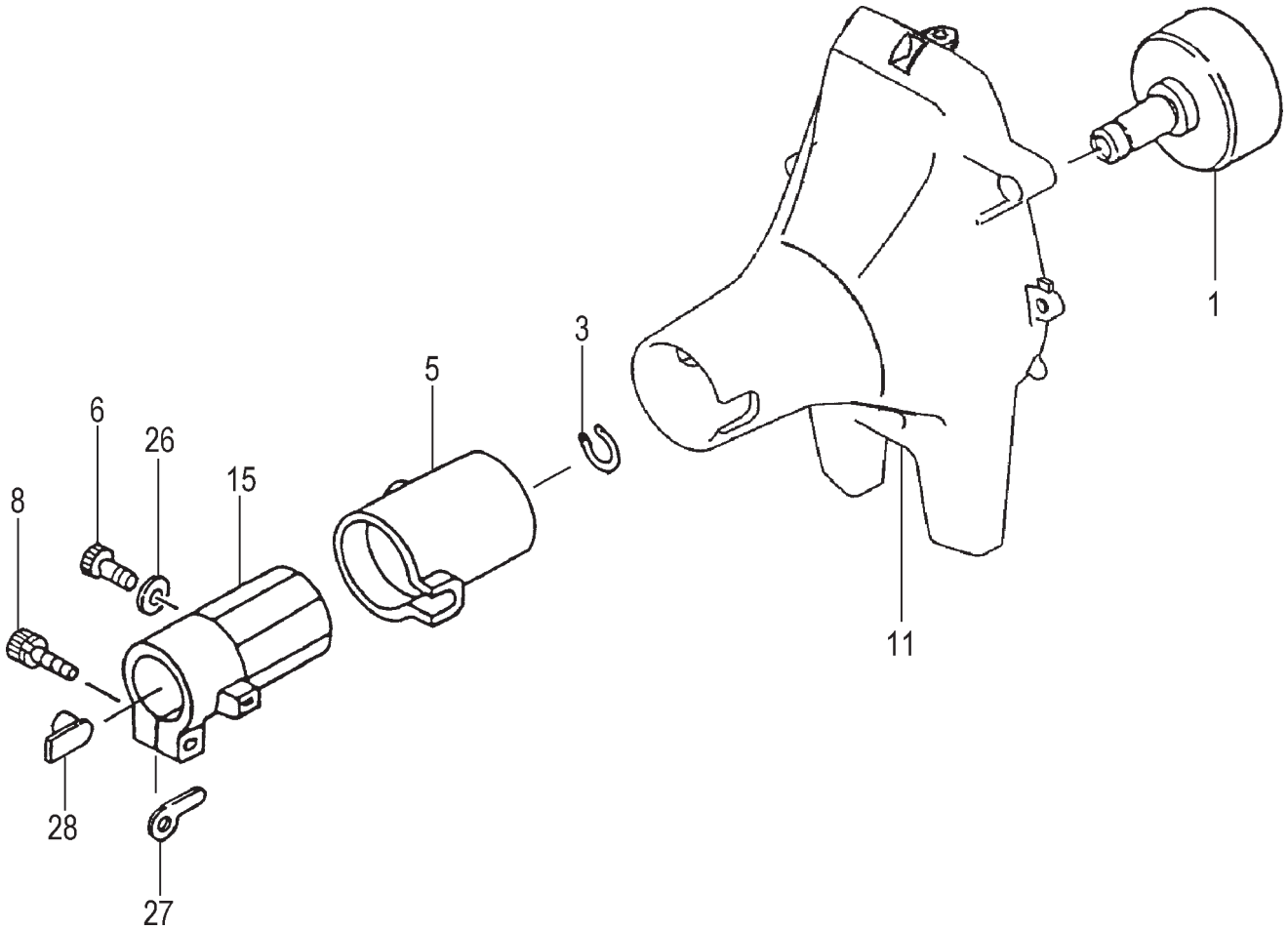
ITEM	PART NUMBER	DESCRIPTION	QTY	COMMENTS
5-0	7620304590	STARTER ASS'Y	1	
5-1	7720304580	BODY,STARTER	1	
5-2	7740304520	PULLEY,STARTER	1	
5-3	7790304520	SPRING,RECOIL	1	
5-4	7770304520	ARM,SWING	1	
5-5	8390304520	SCREW,SET	1	
5-6	7710304520	STAY,PULLEY	1	
5-7	7830304520	ROPE,STARTER	1	
5-8	7850304520	HANDLE,STARTER	1	



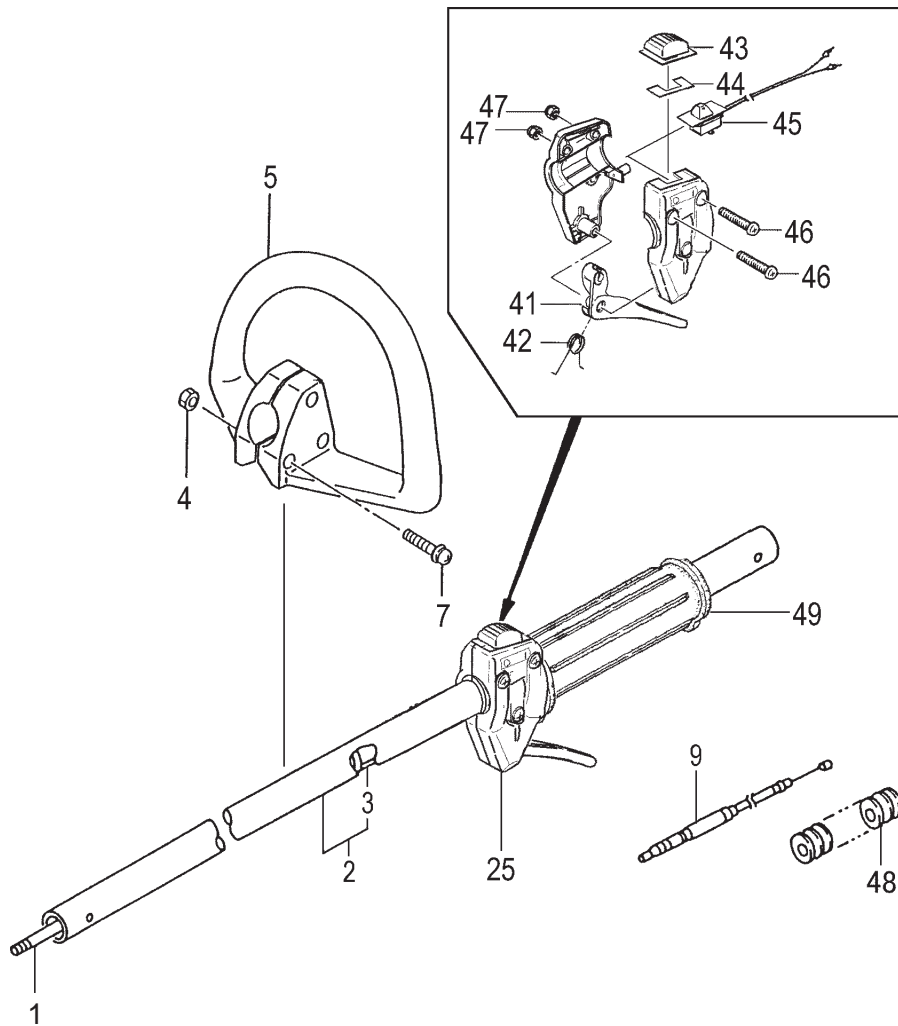
ITEM	PART NUMBER	DESCRIPTION	QTY	COMMENTS
6-0	4100714290	CLEANER,ASS'Y	1	
6-1	4520007090	SET,CLEANER COVER	1	
6-2	4210007020	ELEMENT,CLEANER	1	
6-3	3800637C200	BOLT,CLEANER COVER	1	
6-4	4230007081	BODY,CLEANER	1	
6-6	5280714320	PLATE,CHOKE	1	
6-7	99204080030	WASHER,8	1	
6-8	6573252A20	COLLAR 8	1	



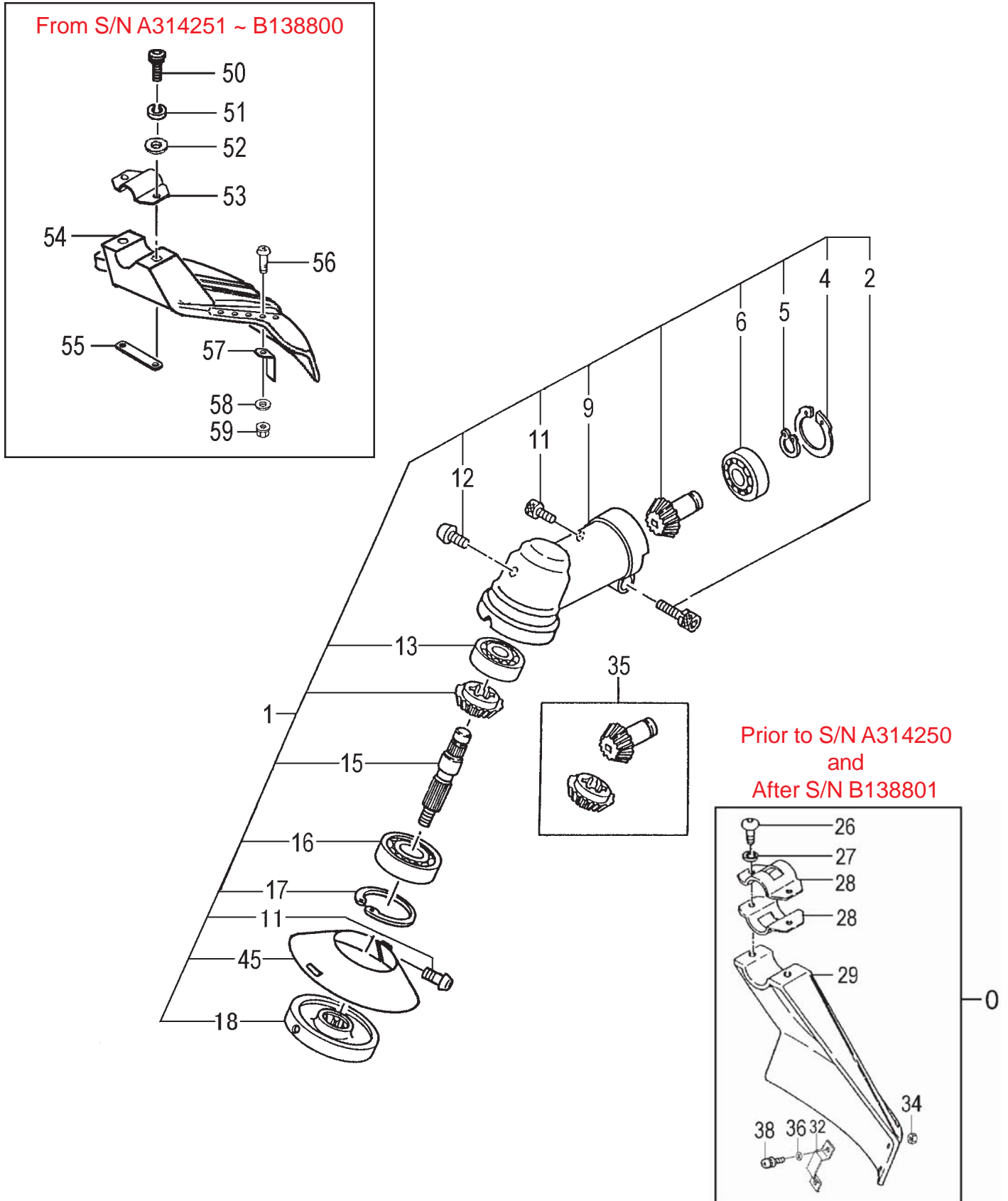
ITEM	PART NUMBER	DESCRIPTION	QTY	COMMENTS
7-0	4550713990	CARBURETOR SET	1	Includes gasket
7-2	5752515380	BODY,PUMP	1	
7-3	4422515180	PUMP,PRIMING	1	
7-4	4762515120	COVER,DIAPHRAGM	1	
7-5	44725108200	BULB,PRIMING	1	
7-6	~ ~ ~	DIAPHRAGM,METERING	1	
7-7	~ ~ ~	GASKET,DIAPHRAGM	1	~ Contained in Carb Repair Kit #650.25140.900
7-8	~ ~ ~	DIAPHRAGM,PUMP	1	(Not available individually)
7-9	~ ~ ~	GASKET,PUMP	1	
7-10	5992000W38	JET,MAIN #38	1	
7-11	55025100200	O-RING	1	
7-12	48925100200	RING,STOP	1	
7-13	53925120200	SWIVEL	1	
7-15	54825140200	SCREW,THROTTLE SET	2	
7-20	5482515120	SCREW,SET	4	
7-201	57825007200	SCREEN,INLET	1	



ITEM	PART NUMBER	DESCRIPTION	QTY	COMMENTS
8-1	2890706080	SHAFT,CLUTCH	1	
8-3	99350012002	RING,STOP,C-12 EX	1	
8-5	5990712021	CUSHION,ANTI-VIBE	1	
8-6	99051050163	BOLT,HEX,5X16	1	
8-8	99461050254	BOLT,HEX HOLE,5X25S	1	
8-11	1120712480	CASE,FAN,(ORANGE)	1	
8-15	3600099620	PIPE HOLDER,TPE	1	
8-26	99201050061	WASHER,5	1	
8-27	3243735020	WASHER,GEAR CASE	1	
8-28	3610099020	FITTING,METAL	1	

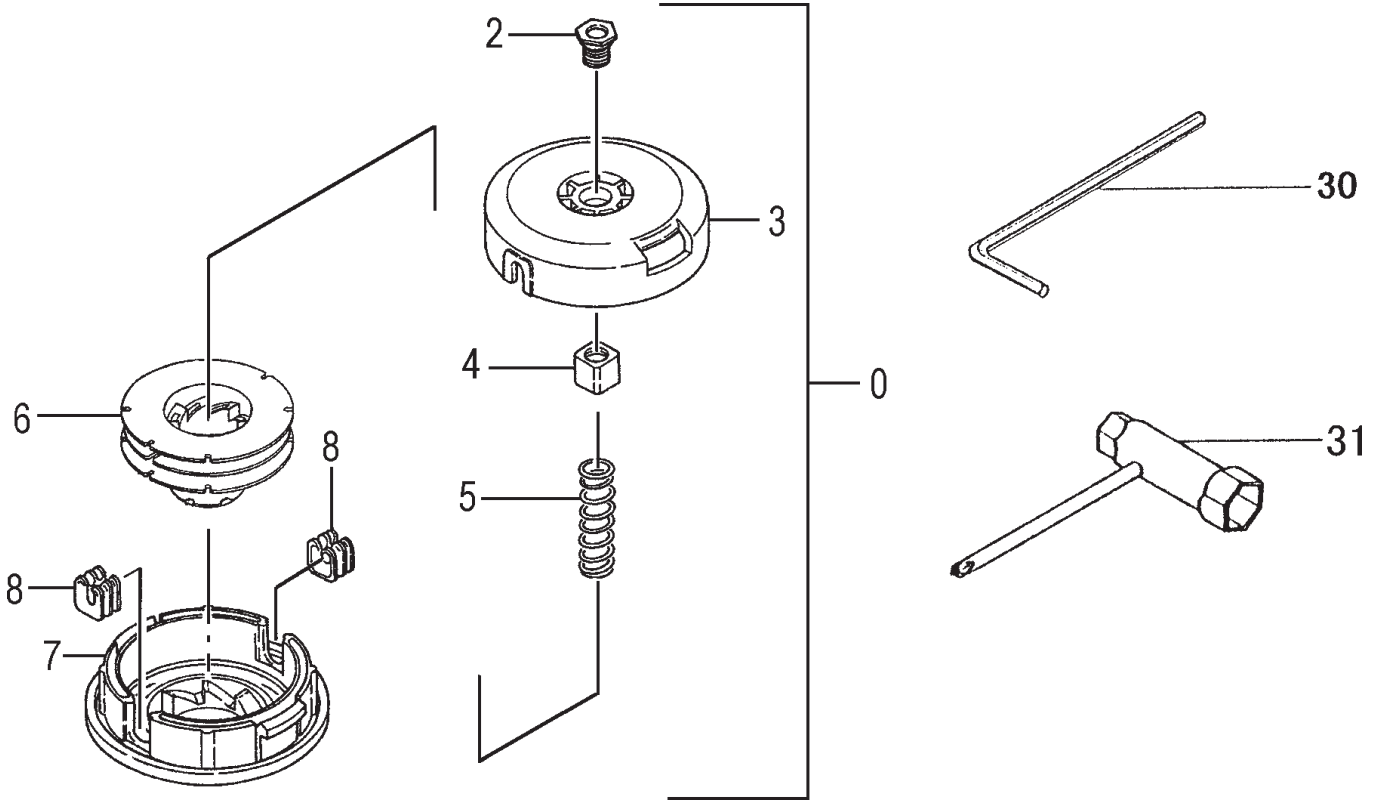


ITEM	PART NUMBER	DESCRIPTION	QTY	COMMENTS
9-1	3433836020	SHAFT,DRIVE	1	
9-2	3413836081	PIPE,DRIVE SHAFT	1	
9-3	3473836090	BUSHING	5	
9-4	99101050041	NUT,5	3	
9-5	5003845120	HANDLE,FRONT	1	
9-7	99416050302	SCREW,5x30,WS	3	
9-9	8853845191	WIRE,THROTTLE ASSY	1	Includes swivel cap
9-25	8703845190	LEVER,THROTTLE ASSY	1	
9-41	8803845120	LEVER,THROTTLE	1	
9-42	8323845120	SPRING,RETURN	1	
9-43	1623845120	SWITCH,STOP	1	
9-44	9253845120	DECAL,STOP SWITCH	1	
9-45	1563845180	SWITCH,STOP	1	
9-46	99011050301	SCREW,5X30	3	
9-47	99101050011	NUT,5	3	
9-48	1640701701	TUBE,PROTECTION,7x170	1	
9-49	5093845320	GRIP,SHAFT	1	

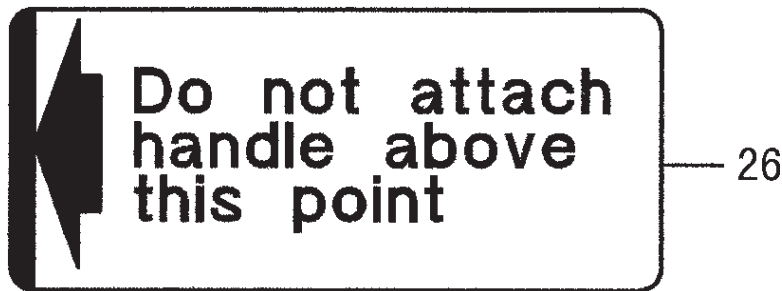
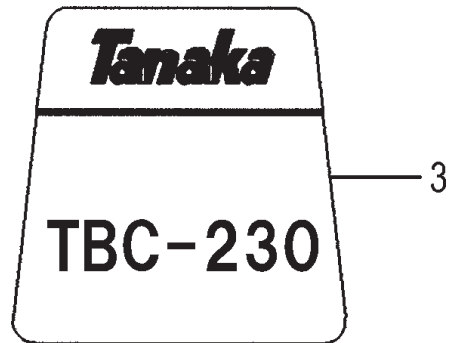
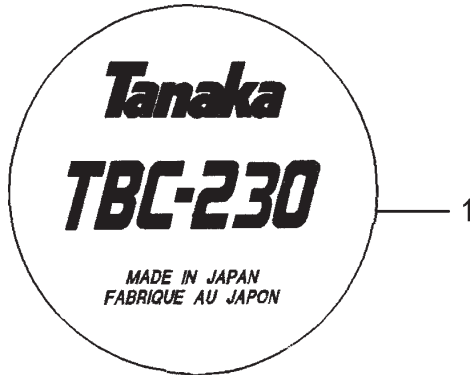


GEAR CASE & SAFETY GUARD • FIGURE 10

ITEM	PART NUMBER	DESCRIPTION	QTY	COMMENTS
10-0	4413782090	SAFETY GUARD KIT	1	
10-1	3003845190	CASE, GEAR ASSY	1	
10-2	99461050254	BOLT, HEX HOLE, 5X25S	1	
10-4	99351024002	RING, STOP, C-24, IN	1	
10-5	99350009002	RING, STOP, C9	1	
10-6	99961609002	BEARING, BALL, #609Z	1	
10-9	3003836021	CASE, GEAR	1	
10-11	99416050121	SCREW, 5X12/PS	2	
10-12	3163815020	BOLT, FITTING, M8	1	
10-13	99961626000	BEARING, BALL, #626	1	
10-15	3043845120	SHAFT, GEAR	1	
10-16	99961600003	BEARING, BALL, #6000D	1	
10-17	99351026002	RING, STOP, IN, C-26	1	
10-18	3103836020	HOLDER, CUTTER	1	
10-26	99053060203	BOLT, HEX, 6X20	2	Prior to S/N A314250 and After S/N B138801
10-27	99210060062	WASHER, S, 6	2	Prior to S/N A314250 and After S/N B138801
10-28	4423741720	BRACKET, SAFETY GUARD	2	Prior to S/N A314250 and After S/N B138801
10-29	4413782080	GUARD, SAFETY	1	Prior to S/N A314250 and After S/N B138801
10-32	7973782020	LIMITER, LINE	1	Prior to S/N A314250 and After S/N B138801
10-34	99101040011	NUT 4	2	Prior to S/N A314250 and After S/N B138801
10-35	3013836000	GEAR & PINION SET	1	
10-36	99201040011	WASHER 4	2	Prior to S/N A314250 and After S/N B138801
10-38	99414040121	SCREW, 4x12S	2	Prior to S/N A314250 and After S/N B138801
10-45	3033836020	COVER, GEAR CASE	1	
10-50	99053060303	SCREW, 6X30	2	From S/N A314251 ~ S/N B138800
10-51	99210060062	WASHER, S, 6	2	From S/N A314251 ~ S/N B138800
10-52	99201060061	WASHER, 6	2	From S/N A314251 ~ S/N B138800
10-53	4423845120	BRACKET, GUARD	1	From S/N A314251 ~ S/N B138800
10-54	4413845120	SAFETY GUARD	1	From S/N A314251 ~ S/N B138800
10-55	4453825320	GUARD HOLDER	1	From S/N A314251 ~ S/N B138800
10-56	99011050151	SCREW, 5X15	1	From S/N A314251 ~ S/N B138800
10-57	7973782020	BLADE	1	From S/N A314251 ~ S/N B138800
10-58	99201050011	WASHER, 5	1	From S/N A314251 ~ S/N B138800
10-59	99174050010	NUT-U, 5	1	From S/N A314251 ~ S/N B138800



ITEM	PART NUMBER	DESCRIPTION	QTY	COMMENTS
11-0	746451	HEAD,SEMI-AUTO,5"	1	
11-2	3563383E20	ADAPTER,746451,8x1.25 LHF	1	
11-3	7863383020	BODY,CUTTING	1	
11-4	3153383020	NUT,SPECIAL	1	
11-5	7933383020	SPRING,REEL	1	
11-6	7873383020	REEL	1	
11-7	7893383020	CAP,BODY	1	
11-8	7883383020	EYELET	2	
11-30	81320000200	WRENCH,HEX,4	1	
11-31	8292000080	SPANNER,COMBI,13X19	1	



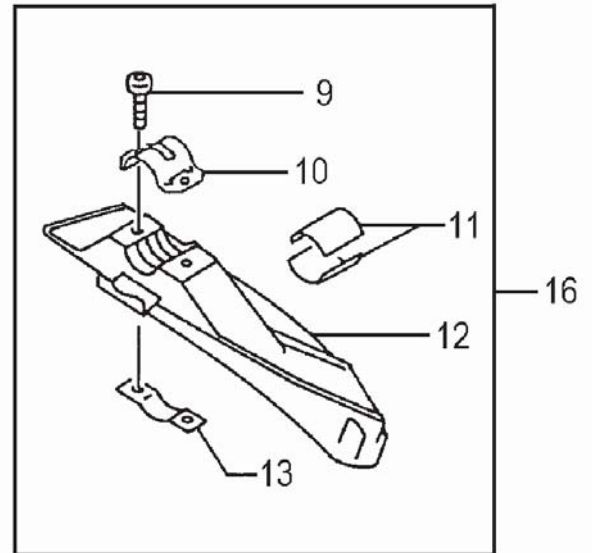
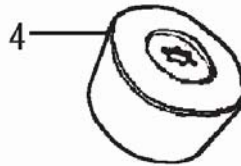
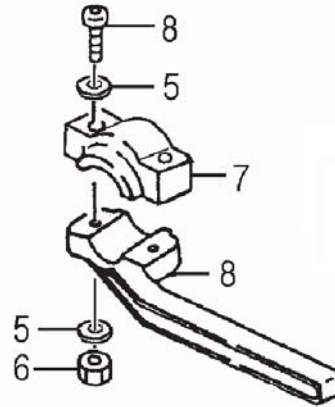
⚠ WARNING! •Read the Operator's Manual and follow all warnings and safety instructions. Failure to do so can result in serious injury to the operator and/or bystanders. •Objects may be thrown or ricochet in all directions. ALWAYS WEAR EYE PROTECTION. •Keep bystanders at least 50 feet (15 m) away. •To reduce the chance of hearing loss, always wear ear protection. •To reduce the risk of injury from loss of control, never use a metal blade on a curved shaft grass trimmer. Never use a metal blade on any brushcutter without barrier bar or bicycle handle configuration and safety strap • Use of a blade may cause a sudden sideways, forward or backward motion of the brushcutter when the blade contacts a solid object. See Owner's manual for model specific details.

10

ITEM	PART NUMBER	DESCRIPTION	QTY	COMMENTS
12-1	9060713420	DECAL,TBC-230	1	
12-3	9290713720	DECAL,TBC-230	1	
12-4	92337400200	DECAL,LEVEL	1	
12-10	9193782020	DECAL,CAUTION A	1	
12-18	9233728620	DECAL,LEVEL	1	
12-26	9233738F20	DECAL,LEVEL	1	



Single Shoulder Strap
Model#: 746191



WARNING! Read the owners manual and follow all warnings and safety instructions. Failure to do so can result in serious injury to the operator and/or bystanders. Never attempt to mount a steel blade to a machine that is not specifically designed for that purpose. Never attempt to mount a steel blade without using all components of the blade attachment kit, including shoulder strap and barrier safety bar.

ITEM	PART NUMBER	DESCRIPTION	QTY	COMMENTS
4	3113844020	CAP,CUTTER HOLDER	1	Kit used on TBC-225, 230, 245PF, 2500, TBC-225S, TBC-255PF
5	99201060061	WASHER,6	4	
6	99101060041	NUT,6	2	
7	5063730020	BRACKET,HANDLE,A	1	
8	5203727720	BARRIER BAR 24MM	1	
9	99053060403	BOLT,HEX,6X40	2	
10	4423369921	BRACKET,SAFETY GUARD	1	
11	44437609200	SPACER,BRACKET	2	
12	4413738020	GUARD,SAFETY	1	
13	4453738020	HOLDER,GUARD	1	
14	3133754720	NUT,FIXING L.H. 8X1.25	1	
15	3273718090	PIN,COTTER 2X20 (10 PACK)	1	
16	30060	KIT,BLADE GUARD	1	
18	746191	STRAP,SHOULDER,PSS-175	1	Includes mounting bracket/hardware

Date: December 2004

Model & Serial: TBC-230 / TBC-230B
A211451 and later

Reason: We have received field reports that some units may not idle properly or may not be adjustable to an acceptable idle RPM. In this situation the likely cause of this is the length of the throttle cable. A longer throttle cable, which allows for more idle speed adjustment is listed below and will correct this condition. In addition a swivel cap is included to assist with the retention of the new longer throttle wire.

Comments: The new throttle wire inner length changes from the current 87.5mm to 91mm in the new wire. After connecting the throttle wire to the carburetor swivel install the swivel cap as shown in Fig. 1-6A. With the new throttle wire installed it will be necessary to check and adjust the idle RPM.

Part Number Changes:

Old Part #	New Part #	Description
	885-38451-91	Throttle wire complete
N/A	560-07120-20	Swivel cap (#2)
N/A	885-38451-91	Throttle wire set

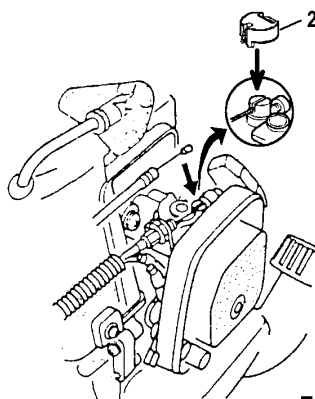
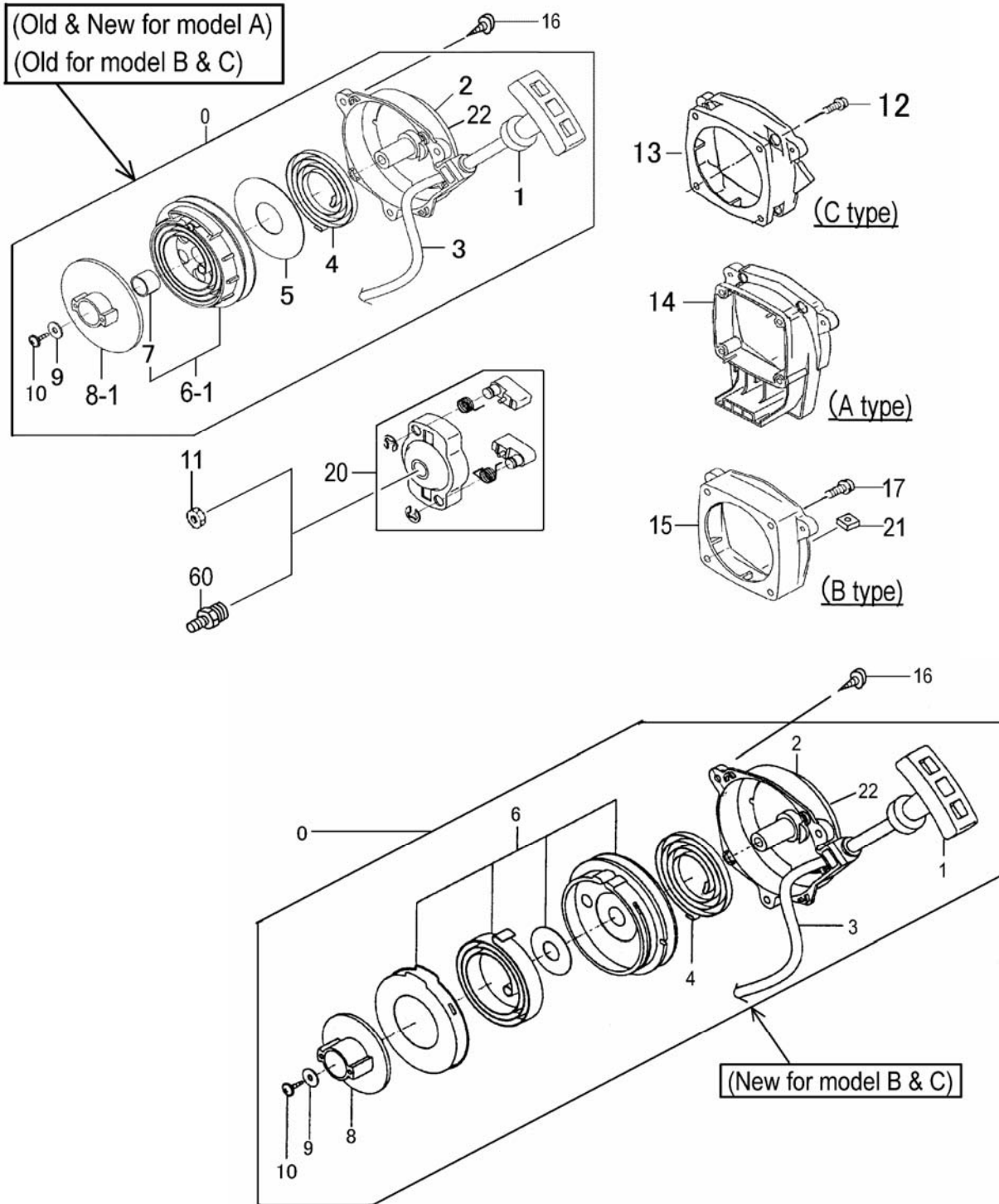


Fig. 1-6A

S · START KIT

	Order Number
A --- TBC2501/D, TPH2501, TPS-2501, TPE2501	748733
B --- TBC230/230B/230D	748744
C --- TBC290/290D/340/340D	748732



S-Start Parts Information

REF. NUMBER	PART NUMBER	DESCRIPTION	Q'TY		
			A	B	C
	756-07075-00	S·START KIT (TBC2501)	1		
	756-07120-00	S·START KIT (TBC230)		1	
	756-07027-00	S·START KIT (TBC290)			1
000	762-07075-90	RECOIL STARTER BODY ASS'Y	1		
000	762-07085-90	RECOIL STARTER BODY ASS'Y		1	
000	762-07027-90	RECOIL STARTER BODY ASS'Y			1
001	785-07085-20	STARTER HANDLE	1	1	1
002	772-07085-80	RECOIL STARTER BODY COMP,	1	1	1
003	783-07085-20	RECOIL ROPE	1	1	1
004	780-07085-20	RECOIL SPRING	1	1	1
005	786-07085-20	SPRING PLATE	1	1	1
006,1	778-07027-90	RECOIL SPRING CASE ASS'Y	1		1
006,1	778-07085-90	RECOIL SPRING CASE ASS'Y		1	
006,1	778-07075-90	RECOIL SPRING CASE ASS'Y	1		
006	778-07085-91	SORING CASE ASS'Y		1	1
007	328-07085-20	STARTER BUSH	1	1	1
008,1	774-07075-20	STARTER PULLEY	1		
008,1	774-07085-20	STARTER PULLEY		1	
008,1	774-07027-20	STARTER PULLEY			1
008	774-07085-21	STARTER PULLEY		1	
009	182-07085-20	SPECIAL WASHER 5.2X15	1	1	1
010	990-72050-144	TAPPING SCREW 5X14	1	1	1
011	991-01080-011	HEX. NUT 8			1
012	994-64040-185	HEX. HOLE BOLT 4X18WS			4
013	806-07027-20	STARTER BASE			1
014	806-07070-20	STARTER BASE	1		
015	806-07120-20	STARTER BASE		1	
016	990-73045-144	TAPPING SCREW 4.5X14	3	3	3
017	994-64040-125	HEX. HOLE BOLT 4X12WS		4	
020	798-07085-90	STARTER PULLEY ASS'Y	1	1	1
021	991-91050-001	SQUARE NUT 5		1	
022	915-07078-20	STARTER MARK (S·START)	1	1	1
060	314-07070-20	SPECIAL BOLT	1		