

Tanaka Illustrated Parts Manual

Model Number:

TBC-225

GRASS TRIMMER

P/N 39721

Rev 000

Date 11-28-06



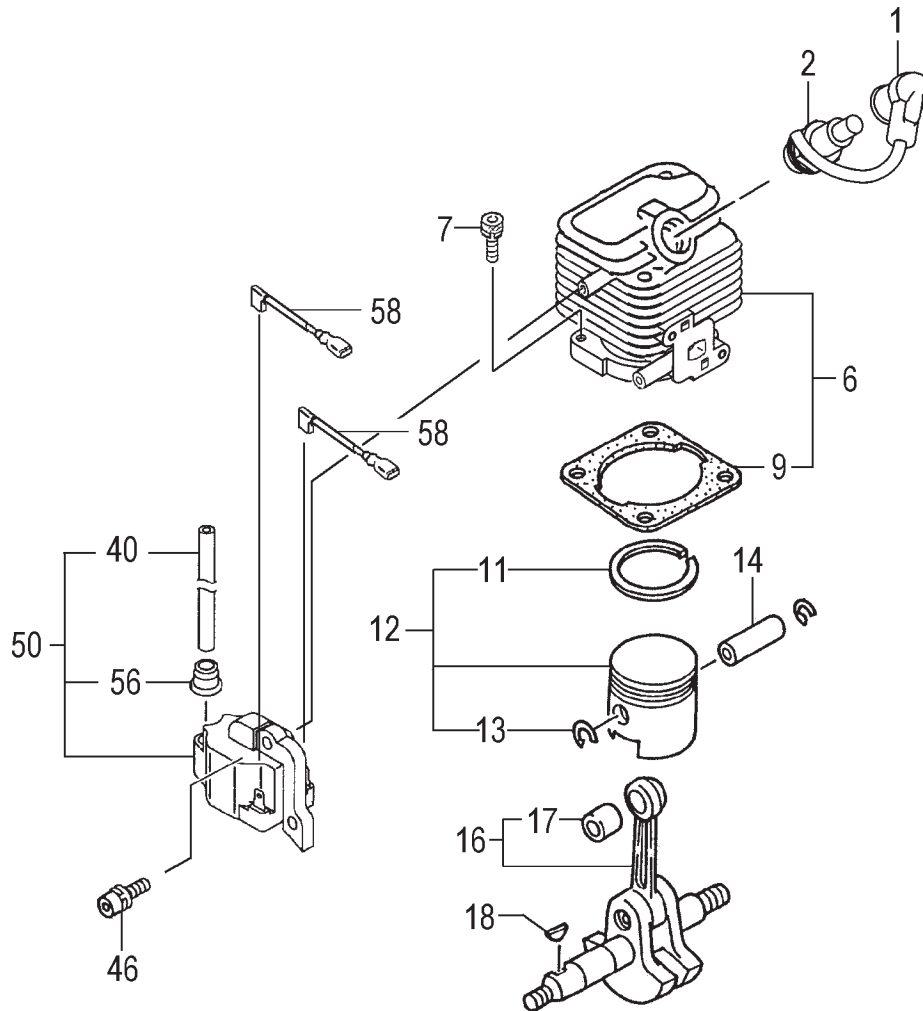
Supplier To The Outdoor Power Equipment Industry

Tanaka America • 1028 4th Street SW • Auburn, WA 98001 • Phone: (253) 333-1200 • Fax: (253) 333-1212

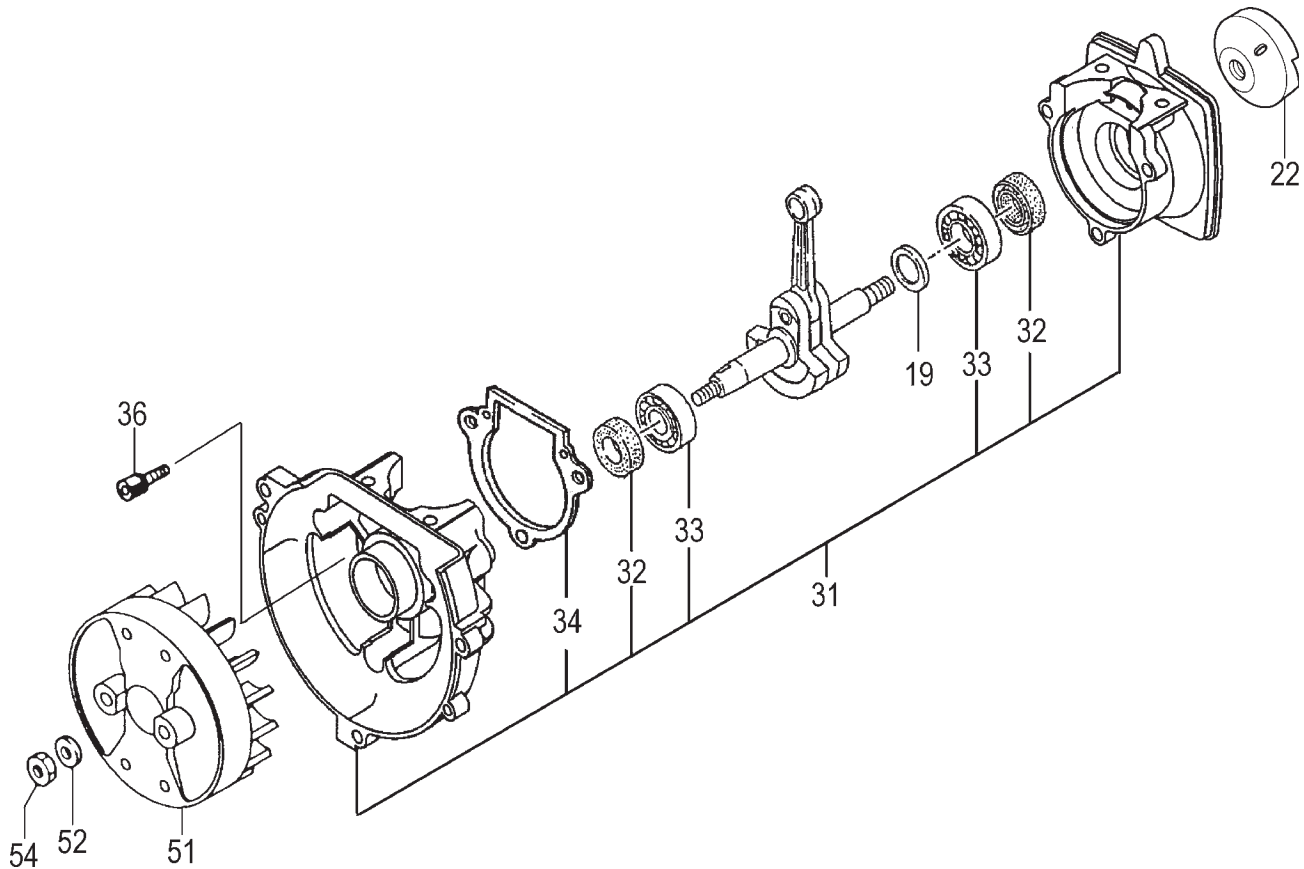
www.tanaka-usa.com

custsvc@tanaka-usa.com

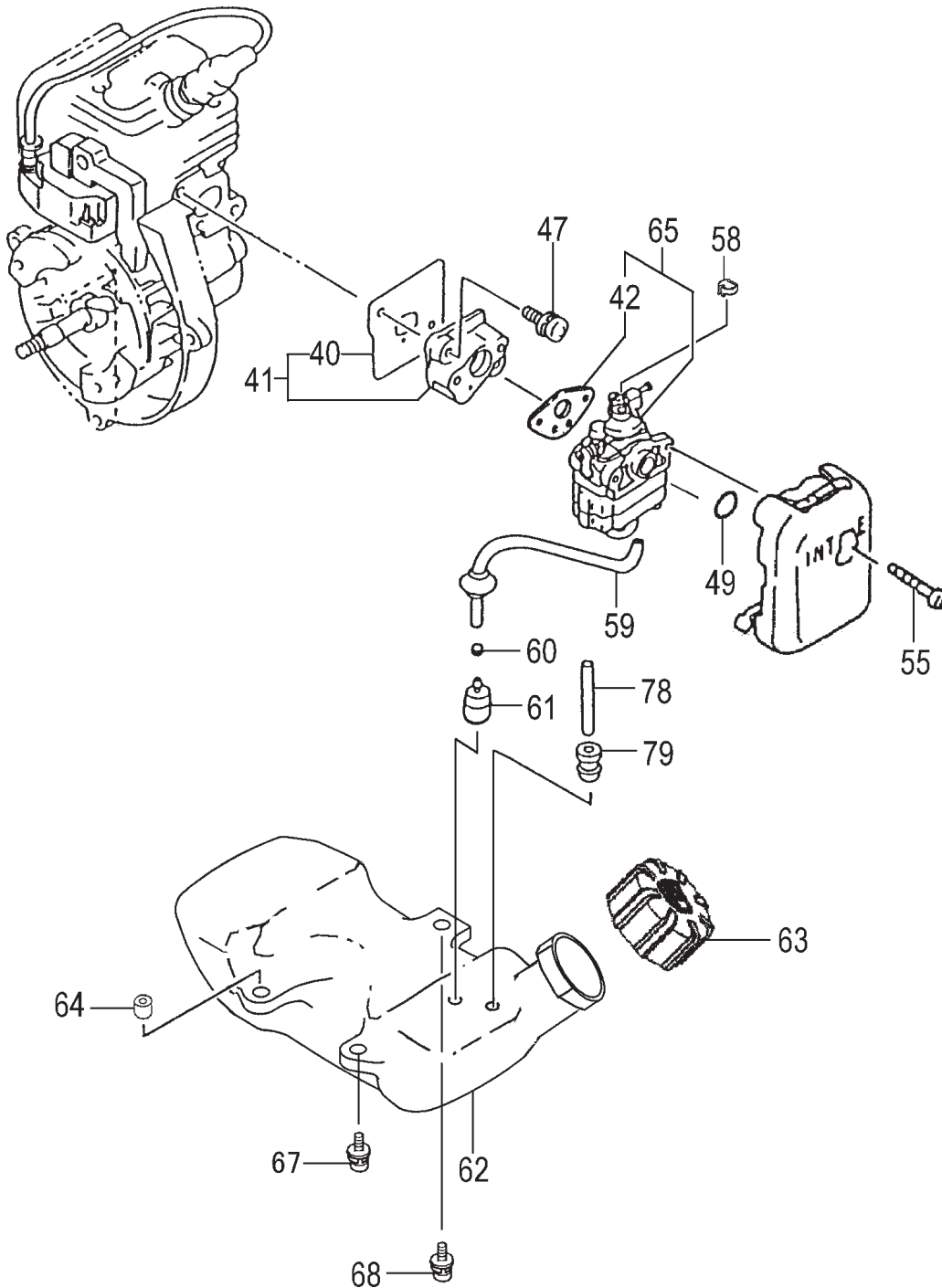
CYLINDER, PISTON, CRANKSHAFT, IGNITION • FIGURE 1



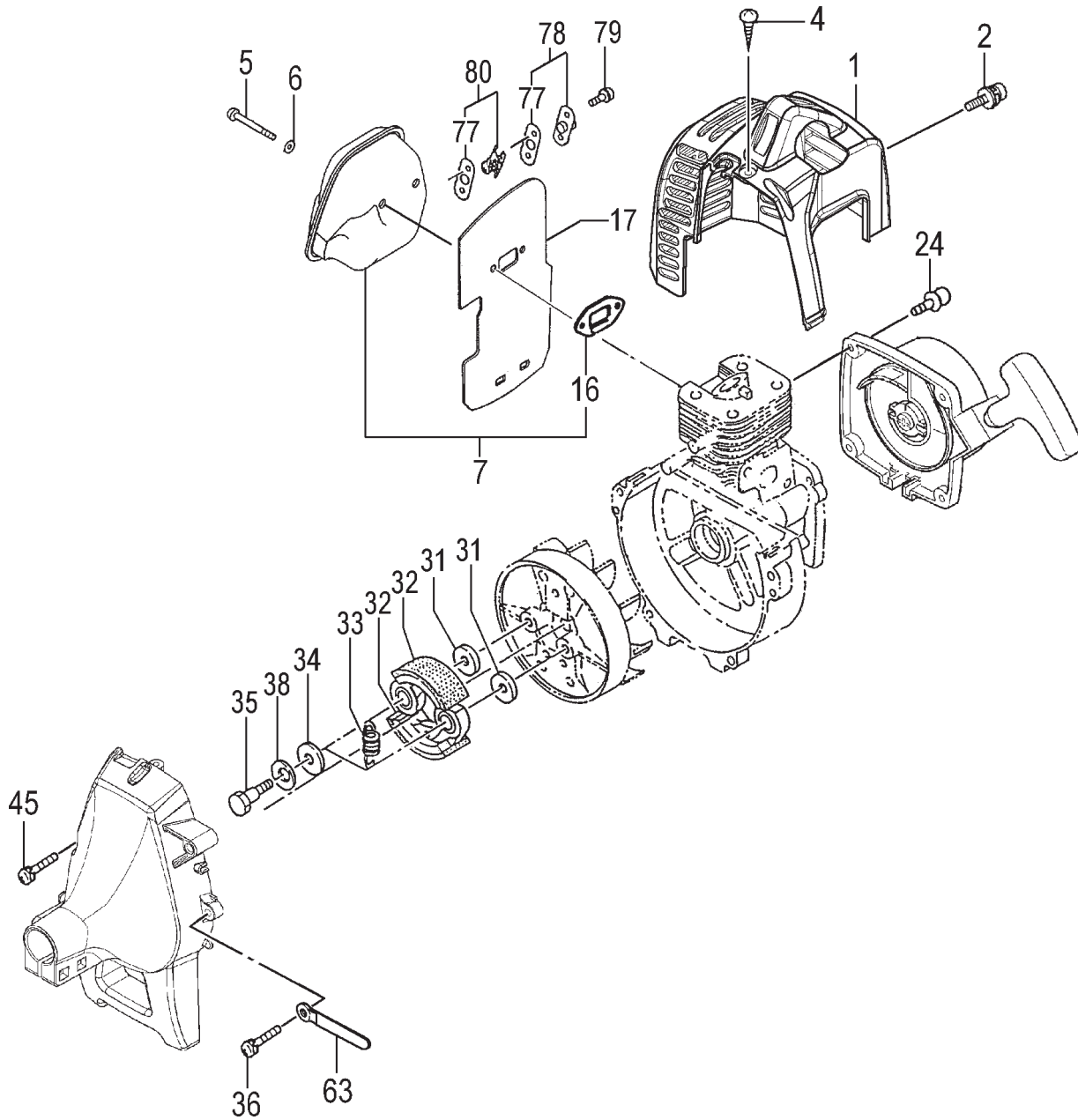
| ITEM | PART NUMBER | DESCRIPTION | QTY | COMMENTS |
|------|-------------|--------------------------|-----|------------------------------------|
| 1-2 | 0181166021 | PLUG, SPARK | 1 | |
| 1-6 | 0010713091 | CYLINDER SET | 1 | Includes gasket |
| 1-7 | 99461050184 | BOLT, HEX, 5X18, S | 2 | |
| 1-9 | 01700980200 | GASKET, CYLINDER | 1 | |
| 1-11 | 04100601210 | RING, PISTON | 1 | |
| 1-12 | 0300007090 | PISTON SET | 1 | Includes piston rings and circlips |
| 1-13 | 03901620200 | CIRCLIP, PISTON PIN | 1 | |
| 1-14 | 03706500200 | PIN, PISTON | 1 | |
| 1-16 | 0460713080 | CRANKSHAFT | 1 | ~B001000 |
| 1-16 | 0460713081 | CRANKSHAFT | 1 | B001001~ |
| 1-17 | 99962081277 | BEARING, NEEDLE, HK0810B | 1 | |
| 1-18 | 06810100200 | KEY, WOODRUFF, 3X13X4.5 | 1 | ~B001000 |
| 1-40 | 1782054620 | CORD B | 1 | |
| 1-46 | 99463040154 | BOLT, HEX, 4X15, PS | 2 | |
| 1-50 | 1672054691 | COIL, IGNITION | 1 | |
| 1-56 | 56020517200 | CAP, RUBBER | 1 | |
| 1-58 | 1780136M800 | CORD, STOP | 1 | |



| ITEM | PART NUMBER | DESCRIPTION | QTY | COMMENTS |
|------|-------------|----------------------|-----|-------------------------------------|
| 2-19 | 33000200210 | SHIM,12.2X19X.10 | 1 | |
| 2-19 | 33000200220 | SHIM,12.2X19X.15 | 1 | |
| 2-19 | 33000200230 | SHIM,12.2X19X.20 | 1 | |
| 2-19 | 33000200240 | SHIM,12.2X19X.30 | 1 | |
| 2-22 | 7980304520 | PULLEY,STARTER | 1 | |
| 2-31 | 0720712092 | CRANKCASE ASSY | 1 | Includes gasket, seals and bearings |
| 2-32 | 99966122240 | SEAL,OIL,#12227 | 2 | |
| 2-33 | 99961600115 | BEARING,BALL,6001 C3 | 2 | |
| 2-34 | 0900641020 | GASKET,CRANKCASE | 1 | |
| 2-36 | 99461050184 | BOLT,HEX,5X18,S | 3 | |
| 2-51 | 1552055080 | ROTOR,MAGNETO | 1 | ~B001000 |
| 2-51 | 1552055081 | ROTOR,MAGNETO | 1 | B001001~ |
| 2-52 | 99201080011 | WASHER,8 | 1 | |
| 2-54 | 99101080011 | NUT,8 | 1 | |

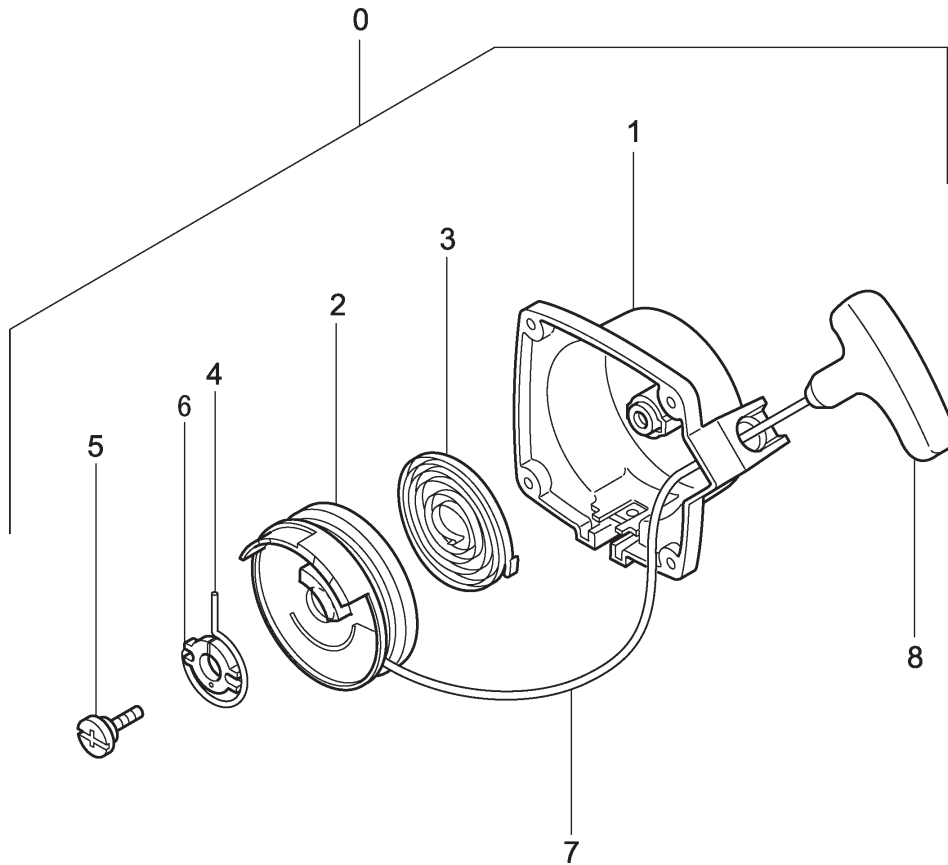


| ITEM | PART NUMBER | DESCRIPTION | QTY | COMMENTS |
|------|-------------|-----------------------|-----|---|
| 3-40 | 4030631A20 | GASKET,INLET MANIFOLD | 1 | Includes gasket |
| 3-41 | 4040099F90 | SET,CARB INSULATOR | 1 | |
| 3-42 | 4020602K21 | GASKET,CARBURETOR | 1 | |
| 3-47 | 99464050224 | BOLT,HEX,5X22,WS | 2 | |
| 3-49 | 99967015000 | O-RING,P15 | 1 | |
| 3-55 | 99416050601 | SCREW,5x60WS | 2 | |
| 3-58 | 5600712020 | SWIVEL CAP | 1 | Before S/N ~D000000 After S/N D000001~ |
| 3-59 | 2230700090 | FUEL PIPE ASSY | 1 | |
| 3-60 | 68000731201 | CLIP 6.3 | 1 | |
| 3-61 | 6750404280 | FILTER,FUEL | 1 | |
| 3-62 | 5910713521 | TANK,FUEL,ORANGE | 1 | |
| 3-62 | 5910717F20 | TANK,FUEL,EVAPO | 1 | |
| 3-63 | 5950300290 | CAP,TANK (BLACK/RED) | 1 | Includes gasket |
| 3-64 | 65900801200 | COLLAR | 3 | |
| 3-65 | 4550713990 | CARBURETOR SET | 1 | |
| 3-67 | 99463050164 | BOLT,HEX,5X16,PS | 2 | |
| 3-68 | 99465050205 | SCREW,5x20,WS | 1 | |
| 3-78 | 7000300508 | PIPE,FUEL,3X5X85 | 1 | |
| 3-79 | 53432710200 | GROMMET,FUEL PIPE | 1 | |



MUFFLER, CLUTCH & COVER • FIGURE 4

| ITEM | PART NUMBER | DESCRIPTION | QTY | COMMENTS |
|------|-------------|----------------------|-----|-----------------|
| 4-1 | 7380716220 | COVER,MUFFLER | 1 | |
| 4-2 | 99415040151 | SCREW,4X15PS | 1 | |
| 4-4 | 99073045124 | SCREW,TAPPING,4.5X12 | 1 | |
| 4-5 | 99051050503 | BOLT,HEX,5X50 | 2 | |
| 4-6 | 99201050061 | WASHER,5 | 2 | |
| 4-7 | 7040713990 | MUFFLER SET | 1 | Includes gasket |
| 4-16 | 7370700020 | GASKET,MUFFLER | 1 | |
| 4-17 | 1330654020 | SHIELD,HEAT | 1 | |
| 4-24 | 99463040154 | BOLT,HEX,4X15,PS | 4 | |
| 4-31 | 35902103200 | WASHER,CLUTCH,B | 2 | |
| 4-32 | 2900641080 | SHOE,CLUTCH | 2 | |
| 4-33 | 3420641020 | SPRING,CLUTCH | 1 | |
| 4-34 | 3480654020 | PLATE,CLUTCH | 2 | |
| 4-35 | 35700601200 | BOLT,STEP,CLUTCH | 2 | |
| 4-36 | 99464050184 | BOLT,HEX,5X18,WS | 2 | |
| 4-38 | 99205080030 | WASHER,8 | 2 | |
| 4-45 | 99464050304 | BOLT,HEX,5X30,WS | 1 | |
| 4-63 | 19805015800 | CLAMP,CORD | 1 | |
| 4-77 | 75104200201 | GASKET,MUFFLER | 2 | |
| 4-78 | 7340099K90 | PIPE,EXHAUST | 1 | |
| 4-79 | 99434040081 | SCREW,4X8/S | 2 | |
| 4-80 | 7320099F90 | SET,SPARK ARRESTER | 1 | |

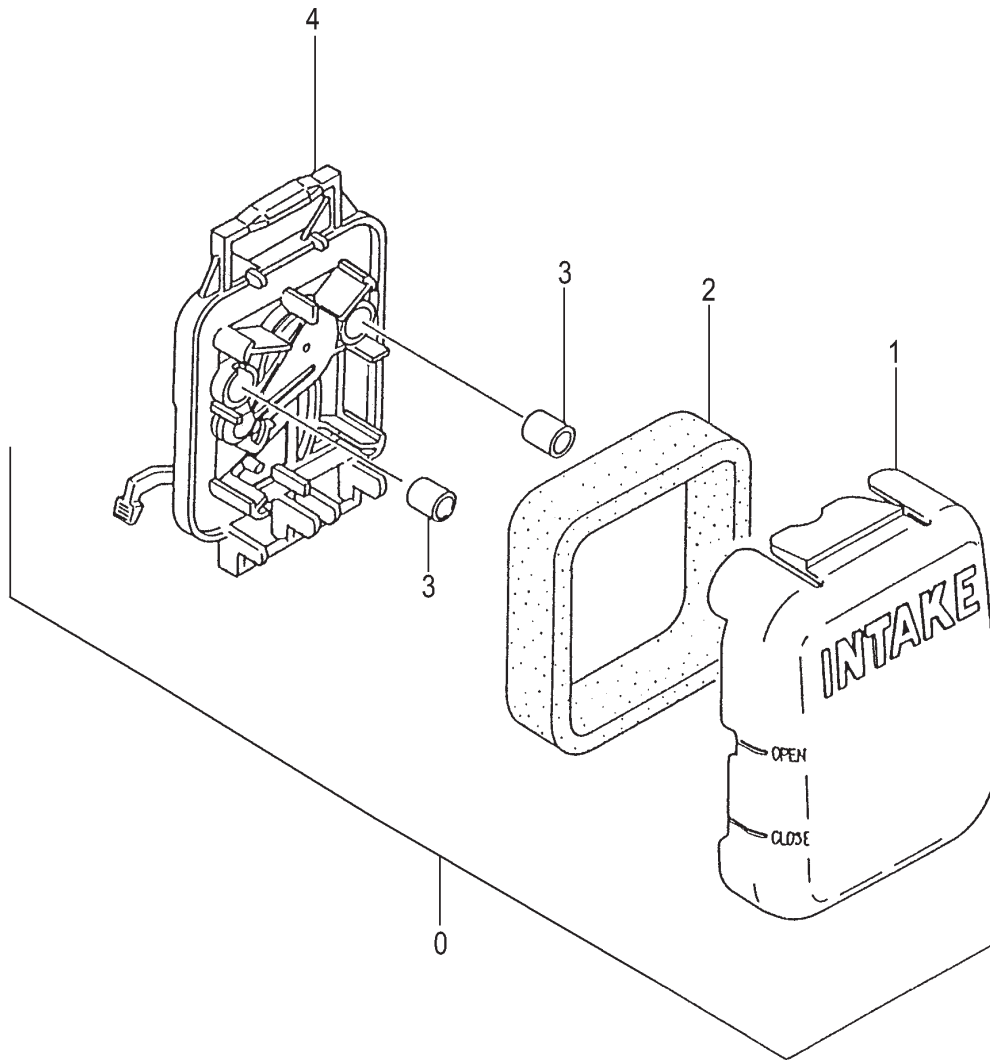


748744

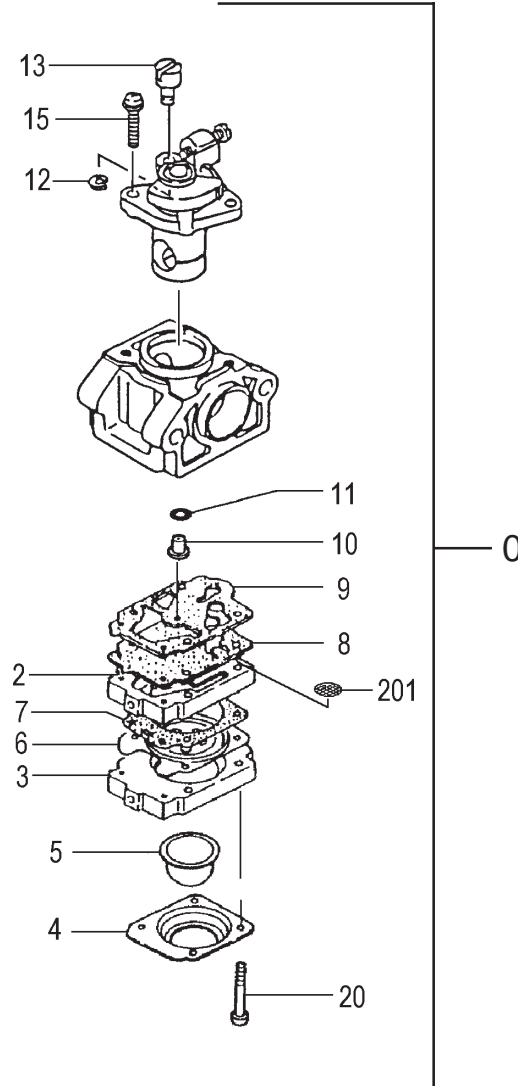


Consider ordering the 748744, S-Start Kit if you are replacing the starter ass'y. It decreases the pull-effort by 60%. They are dependable and easy to install.

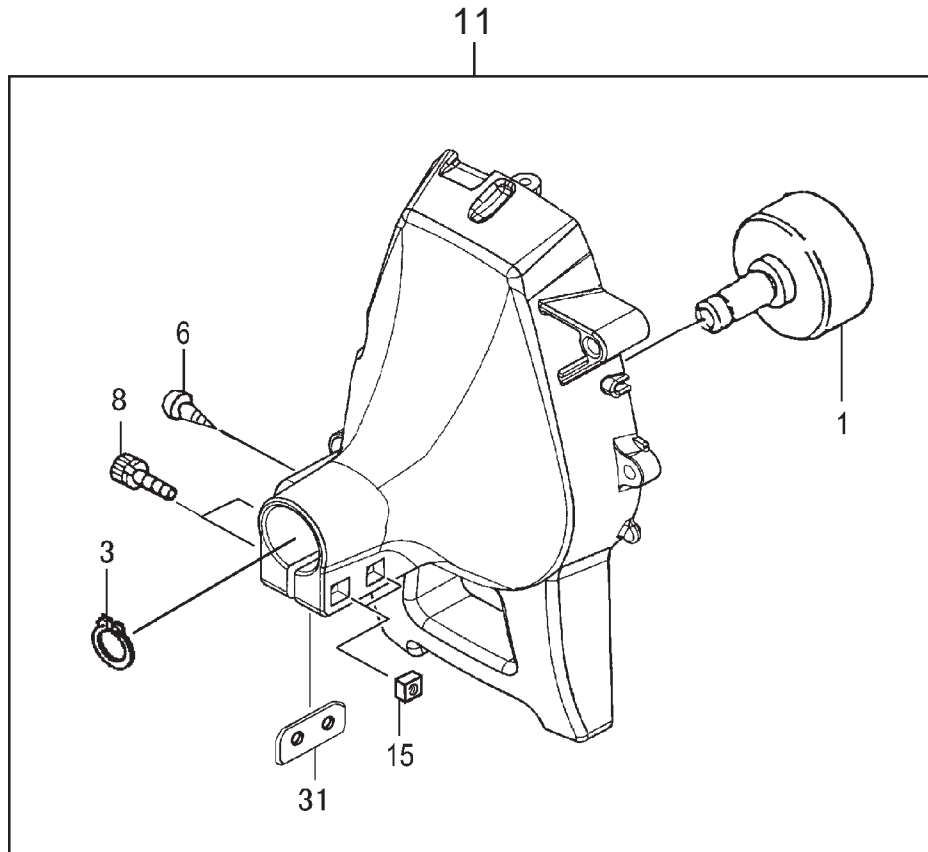
| ITEM | PART NUMBER | DESCRIPTION | QTY | COMMENTS |
|------|-------------|----------------|-----|---------------------------------|
| 5-0 | 7620304590 | STARTER ASS'Y | 1 | 7560712000 Optional S-Start Kit |
| 5-1 | 7720304580 | BODY,STARTER | 1 | |
| 5-2 | 7740304520 | PULLEY,STARTER | 1 | |
| 5-3 | 7790304520 | SPRING,RECOIL | 1 | |
| 5-4 | 7770304520 | ARM,SWING | 1 | |
| 5-5 | 8390304520 | SCREW,SET | 1 | |
| 5-6 | 7710304520 | STAY,PULLEY | 1 | |
| 5-7 | 7830304520 | ROPE,STARTER | 1 | |
| 5-8 | 7850304520 | HANDLE,STARTER | 1 | |



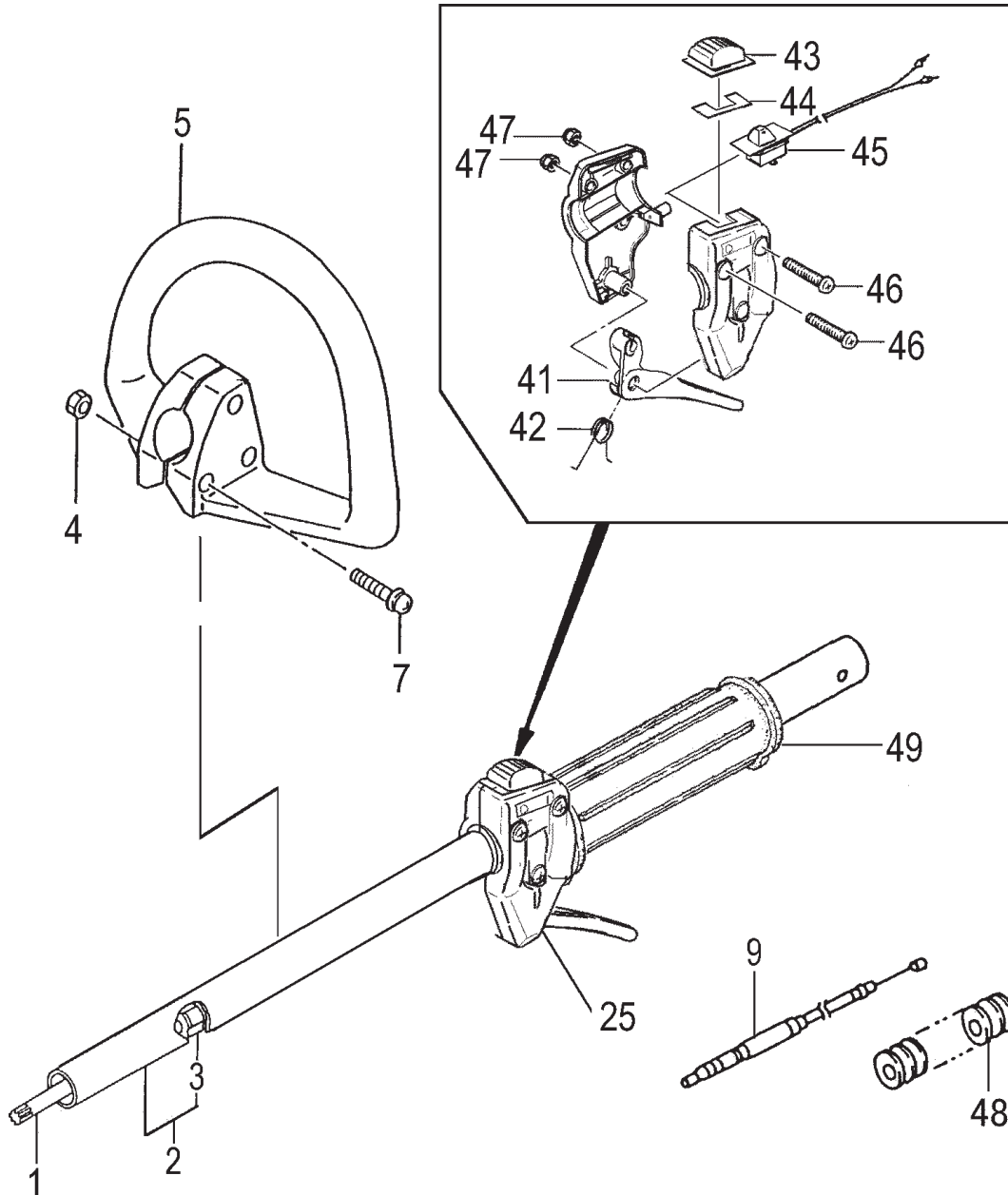
| ITEM | PART NUMBER | DESCRIPTION | QTY | COMMENTS |
|------|-------------|-------------------|-----|----------|
| 6-0 | 41000025900 | CLEANER,AIR ASS'Y | 1 | |
| 6-1 | 42400025200 | CAP,AIR CLEANER | 1 | |
| 6-2 | 44600025200 | ELEMENT,CLEANER | 1 | |
| 6-3 | 47000025200 | COLLAR | 2 | |
| 6-4 | 42300025800 | BODY,CLEANER,AIR | 1 | |



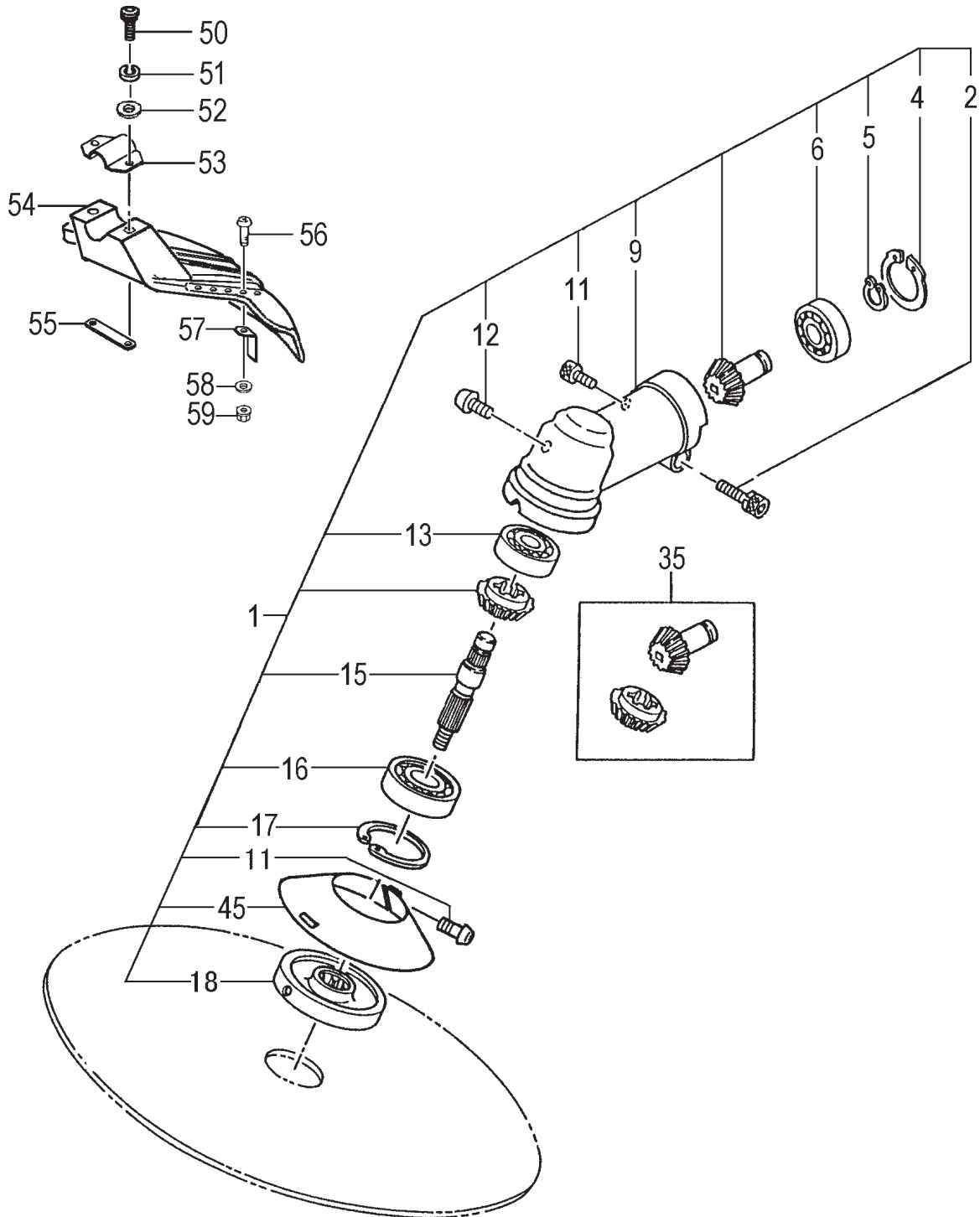
| ITEM | PART NUMBER | DESCRIPTION | QTY | COMMENTS |
|-------|-------------|--------------------|-----|--------------------------------|
| 7-0 | 4550713990 | CARBURETOR SET | 1 | Includes gasket |
| 7-2 | 5752515380 | BODY,PUMP | 1 | |
| 7-3 | 4422515180 | PUMP,PRIMING | 1 | |
| 7-4 | 4762515120 | COVER,DIAPHRAGM | 1 | |
| 7-5 | 44725108200 | BULB,PRIMING | 1 | |
| 7-6 | ~ ~ ~ | METERING DIAPHRAGM | 1 | ~ Contained in Carb Repair Kit |
| 7-7 | ~ ~ ~ | GASKET,DIAPHRAGM | 1 | P/N 650-25140-900 |
| 7-8 | ~ ~ ~ | DIAPHRAGM,PUMP | 1 | (not available individually) |
| 7-9 | ~ ~ ~ | GASKET,PUMP | 1 | |
| 7-10 | 5992000W38 | JET,MAIN #38 | 1 | |
| 7-11 | 55025100200 | O-RING | 1 | |
| 7-12 | 48925100200 | RING,STOP | 1 | |
| 7-13 | 53925120200 | SWIVEL | 1 | |
| 7-15 | 54825140200 | SCREW,THROTTLE SET | 2 | |
| 7-20 | 5482515120 | SCREW,SET | 4 | |
| 7-201 | 57825007200 | SCREEN,INLET | 1 | |



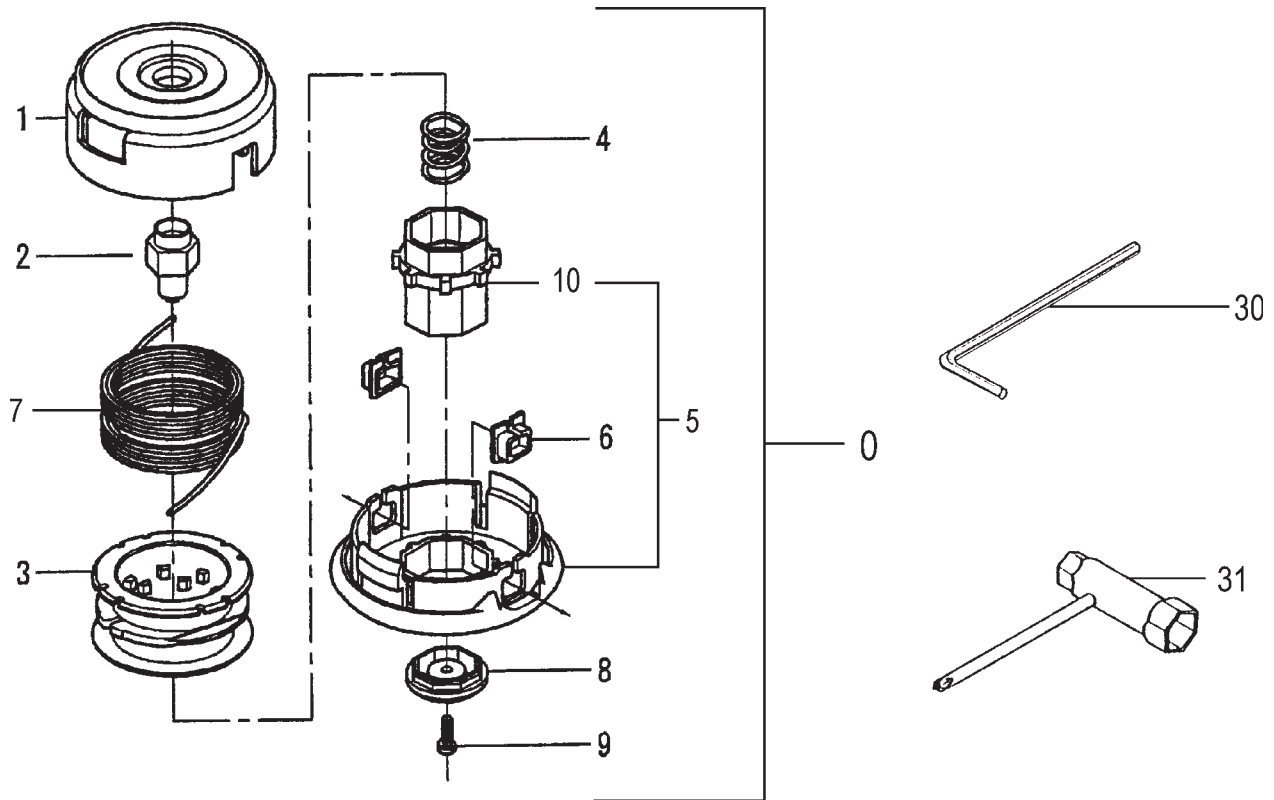
| ITEM | PART NUMBER | DESCRIPTION | QTY | COMMENTS |
|------|-------------|----------------------|-----|---------------------------------|
| 8-1 | 2890716480 | DRUM,CLUTCH | 1 | Includes all parts shown in box |
| 8-3 | 99350012002 | RING,STOP,C-12 EX | 1 | |
| 8-6 | 99074045164 | SCREW,TAPPING 4.5x16 | 1 | |
| 8-8 | 99464050304 | BOLT,HEX,5X30,WS | 2 | |
| 8-11 | 39834 | FAN CASE SET | 1 | |
| 8-15 | 99191050001 | NUT,5 | 2 | |
| 8-31 | 2490712K20 | SPACER | 1 | |



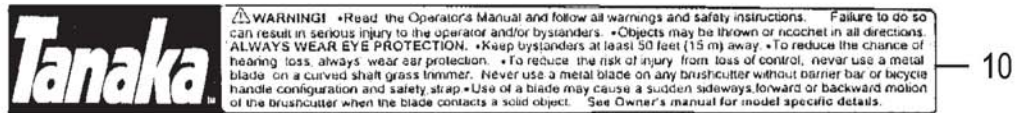
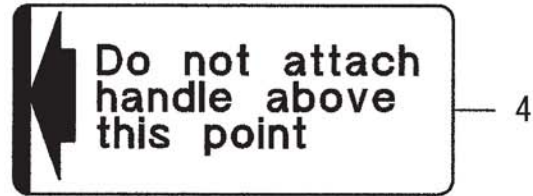
| ITEM | PART NUMBER | DESCRIPTION | QTY | COMMENTS |
|------|-------------|-----------------------|-----|----------|
| 9-1 | 3433836020 | SHAFT,DRIVE | 1 | |
| 9-2 | 3413836081 | PIPE,DRIVE SHAFT | 1 | |
| 9-3 | 3473836090 | BUSHING | 5 | |
| 9-4 | 99101050041 | NUT,5 | 3 | |
| 9-5 | 5003845120 | HANDLE,FRONT | 1 | |
| 9-7 | 99416050302 | SCREW,5x30,WS | 3 | |
| 9-9 | 8853845191 | THROTTLE WIRE SET | 1 | |
| 9-25 | 8703845190 | LEVER,THROTTLE ASSY | 1 | |
| 9-41 | 8803845120 | LEVER,THROTTLE | 1 | |
| 9-42 | 8323845120 | SPRING,RETURN | 1 | |
| 9-43 | 1623845120 | BUTTON,STOP | 1 | |
| 9-44 | 9253845120 | DECAL,STOP SWITCH | 1 | |
| 9-45 | 1563845180 | SWITCH,STOP | 1 | |
| 9-46 | 99011050301 | SCREW,5X30 | 3 | |
| 9-47 | 99101050011 | NUT,5 | 3 | |
| 9-48 | 1640701701 | TUBE,PROTECTION,7x170 | 1 | |
| 9-49 | 5093845320 | GRIP,SHAFT | 1 | |



| ITEM | PART NUMBER | DESCRIPTION | QTY | COMMENTS |
|-------|-------------|---------------------|-----|----------|
| 10-1 | 3003847690 | GEAR CASE ASSY | 1 | |
| 10-2 | 99461050254 | BOLT,HEX HOLE,5X25S | 1 | |
| 10-4 | 99351024002 | RING,STOP,C-24,IN | 1 | |
| 10-5 | 99350009002 | RING,STOP,C9 | 1 | |
| 10-6 | 99961609002 | BEARING,BALL,#609Z | 1 | |
| 10-9 | 3003836021 | CASE,GEAR | 1 | |
| 10-11 | 99416050121 | SCREW,5X12/PS | 2 | |
| 10-12 | 3163815020 | BOLT,FITTING,M8 | 1 | |
| 10-13 | 99961626000 | BEARING,BALL,#626 | 1 | |
| 10-15 | 3043836020 | SHAFT,GEAR | 1 | |
| 10-16 | 99961600003 | BEARING,BALL,#6000D | 1 | |
| 10-17 | 99351026002 | RING,STOP,IN,C-26 | 1 | |
| 10-18 | 3103836020 | HOLDER,CUTTER | 1 | |
| 10-35 | 3013836000 | SET,GEAR & PINION | 1 | |
| 10-45 | 3033836020 | COVER,GEAR CASE | 1 | |
| 10-50 | 99053060303 | SCREW,6X30 | 2 | |
| 10-51 | 99210060062 | WASHER,S,6 | 2 | |
| 10-52 | 99201060061 | WASHER,6 | 2 | |
| 10-53 | 4423845120 | BRACKET,GUARD | 1 | |
| 10-54 | 4413845120 | SAFETY GUARD | 1 | |
| 10-55 | 4453825320 | GUARD HOLDER | 1 | |
| 10-56 | 99011050151 | SCREW,5X15 | 1 | |
| 10-57 | 7973782020 | BLADE | 1 | |
| 10-58 | 99201050011 | WASHER,5 | 1 | |
| 10-59 | 99174050010 | NUT-U,5 | 1 | |



| ITEM | PART NUMBER | DESCRIPTION | QTY | COMMENTS |
|-------|-------------|----------------------------------|-----|----------|
| 11-0 | 746851 | HEAD,SEMI-AUTO,4" STRAIGHT SHAFT | 1 | |
| 11-1 | 7863819520 | CUTTING BODY | 1 | |
| 11-2 | 3563819520 | SPECIAL NUT,LH | 1 | |
| 11-3 | 7873819520 | REEL | 1 | |
| 11-4 | 7933819520 | SPRING | 1 | |
| 11-5 | 4023819500 | CAP-SLIDER SET | 1 | |
| 11-6 | 7883819520 | EYELET | 2 | |
| 11-7 | 746560 | TRIMMER LINE,.095 | 1 | |
| 11-8 | 4033819520 | DISK | 1 | |
| 11-9 | 99414050141 | SCREW | 1 | |
| 11-10 | 4023819580 | SLIDER | 1 | |
| 11-30 | 8132901460 | WRENCH,HEX 14 | 1 | |
| 11-31 | 829290052H | SPANNER,COMBI 13x19 | 1 | |

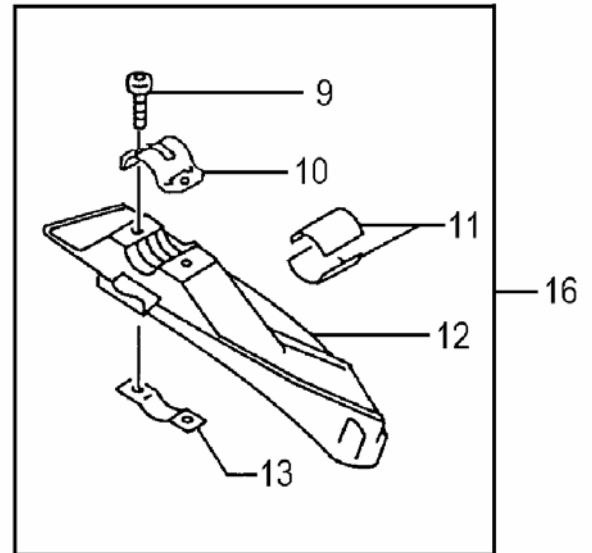
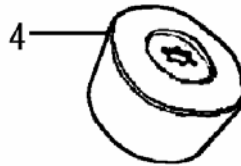
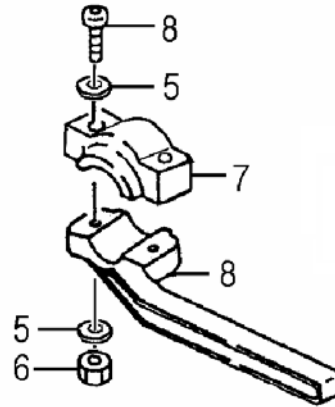


WARNING! •Read the Operator's Manual and follow all warnings and safety instructions. Failure to do so can result in serious injury to the operator and/or bystanders. •Objects may be thrown or ricochet in all directions. **ALWAYS WEAR EYE PROTECTION.** •Keep bystanders at least 50 feet (15 m) away. •To reduce the chance of hearing loss, always wear ear protection. •To reduce the risk of injury from loss of control, never use a metal blade on a curved shaft grass trimmer. Never use a metal blade on any brushcutter without barrier bar or bicycle handle configuration and safety strap. •Use of a blade may cause a sudden sideways, forward or backward motion of the brushcutter when the blade contacts a solid object. See Owner's manual for model specific details.

| ITEM | PART NUMBER | DESCRIPTION | QTY | COMMENTS |
|-------|-------------|-----------------|-----|----------|
| 12-1 | 9060716220 | DECAL,TBC-225 | 1 | |
| 12-2 | 9290716420 | DECAL,TBC-225 | 1 | |
| 12-4 | 9233738F20 | DECAL,LEVEL | 1 | |
| 12-10 | 9193782020 | DECAL,CAUTION A | 1 | |
| 12-26 | 9233844720 | DECAL,LEVEL | 1 | |



Single Shoulder Strap
Model#: 746191

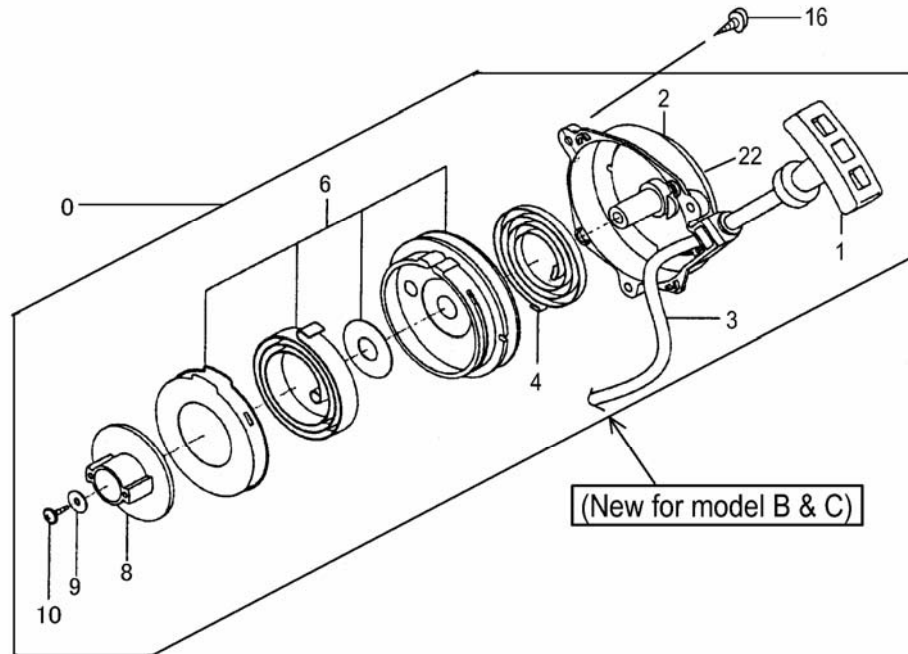
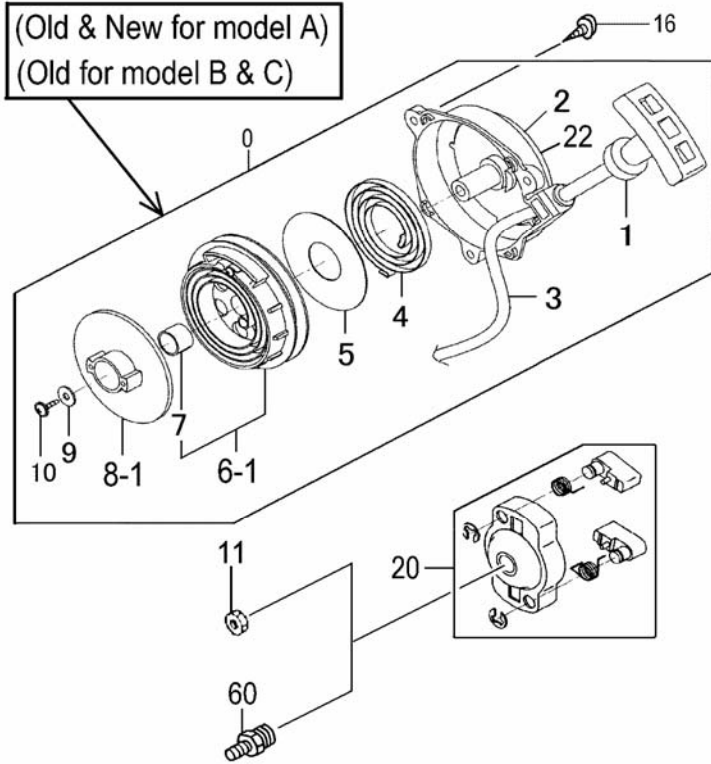


WARNING! Read the owners manual and follow all warnings and safety instructions. Failure to do so can result in serious injury to the operator and/or bystanders. Never attempt to mount a steel blade to a machine that is not specifically designed for that purpose. Never attempt to mount a steel blade without using all components of the blade attachment kit, including shoulder strap and barrier safety bar.

| ITEM | PART NUMBER | DESCRIPTION | QTY | COMMENTS |
|------|-------------|---------------------------|-----|---------------------------------------|
| 4 | 3113844020 | CAP,CUTTER HOLDER | 1 | Kit used on TBC-225, 230, 245PF, 2500 |
| 5 | 99201060061 | WASHER,6 | 4 | |
| 6 | 99101060041 | NUT,6 | 2 | |
| 7 | 5063730020 | BRACKET,HANDLE,A | 1 | |
| 8 | 5203727720 | BARRIER BAR 24MM | 1 | |
| 9 | 99053060403 | BOLT,HEX,6X40 | 2 | |
| 10 | 4423369921 | BRACKET,SAFETY GUARD | 1 | |
| 11 | 44437609200 | SPACER,BRACKET | 2 | |
| 12 | 4413738020 | GUARD,SAFETY | 1 | |
| 13 | 4453738020 | HOLDER,GUARD | 1 | |
| 14 | 3133754720 | NUT,FIXING L.H. 8X1.25 | 1 | Includes mounting bracket/hardware |
| 15 | 3273718090 | PIN,COTTER 2X20 (10 PACK) | 1 | |
| 16 | 30060 | KIT,BLADE GUARD | 1 | |
| 18 | 746191 | STRAP,SHOULDER,PSS-175 | 1 | |

S · START KIT

| | Order Number |
|---|--------------|
| A --- TBC2501/D, TPH2501, TPS-2501, TPE2501 | 748733 |
| B --- TBC230/230B/230D | 748744 |
| C --- TBC290/290D/340/340D | 748732 |



S-Start Parts Information

| REF. NUMBER | PART NUMBER | DESCRIPTION | Q'TY | | |
|----------------|----------------|---------------------------|------|---|---|
| | | | A | B | C |
| | 756-07075-00 | S·START KIT (TBC2501) | 1 | | |
| | 756-07120-00 | S·START KIT (TBC230) | | 1 | |
| | 756-07027-00 | S·START KIT (TBC290) | | | 1 |
| 000 | 762-07075-90 | RECOIL STARTER BODY ASS'Y | 1 | | |
| 000 | 762-07085-90 | RECOIL STARTER BODY ASS'Y | | 1 | |
| 000 | 762-07027-90 | RECOIL STARTER BODY ASS'Y | | | 1 |
| 001 | 785-07085-20 | STARTER HANDLE | 1 | 1 | 1 |
| 002 | 772-07085-80 | RECOIL STARTER BODY COMP, | 1 | 1 | 1 |
| 003 | 783-07085-20 | RECOIL ROPE | 1 | 1 | 1 |
| 004 | 780-07085-20 | RECOIL SPRING | 1 | 1 | 1 |
| 005 | 786-07085-20 | SPRING PLATE | 1 | 1 | 1 |
| 006,1 | 778-07027-90 | RECOIL SPRING CASE ASS'Y | 1 | | 1 |
| 006,1 | 778-07085-90 | RECOIL SPRING CASE ASS'Y | | 1 | |
| 006,1 | 778-07075-90 | RECOIL SPRING CASE ASS'Y | 1 | | |
| 006 | 778-07085-91 | SORING CASE ASS'Y | | 1 | 1 |
| 007 | 328-07085-20 | STARTER BUSH | 1 | 1 | 1 |
| 008,1 | 774-07075-20 | STARTER PULLEY | 1 | | |
| 008,1 | 774-07085-20 | STARTER PULLEY | | 1 | |
| 008,1 | 774-07027-20 | STARTER PULLEY | | | 1 |
| 008 | 774-07085-21 | STARTER PULLEY | | 1 | |
| 009 | 182-07085-20 | SPECIAL WASHER 5.2X15 | 1 | 1 | 1 |
| 010 | 990-72050-144 | TAPPING SCREW 5X14 | 1 | 1 | 1 |
| 011 | 991-01080-011 | HEX. NUT 8 | | | 1 |
| 012 | 994-64040-185 | HEX. HOLE BOLT 4X18WS | | | 4 |
| 013 | 806-07027-20 | STARTER BASE | | | 1 |
| 014 | 806-07070-20 | STARTER BASE | 1 | | |
| 015 | 806-07120-20 | STARTER BASE | | 1 | |
| 016 | 990-73045-144 | TAPPING SCREW 4.5X14 | 3 | 3 | 3 |
| 017 | 994-64040-125 | HEX. HOLE BOLT 4X12WS | | 4 | |
| 020 | 798-07085-90 | STARTER PULLEY ASS'Y | 1 | 1 | 1 |
| 021 | 991-91050-001 | SQUARE NUT 5 | | 1 | |
| 022 | 915-07078-20 | STARTER MARK (S·START) | 1 | 1 | 1 |
| 060 | 314-07070-20 | SPECIAL BOLT | 1 | | |