

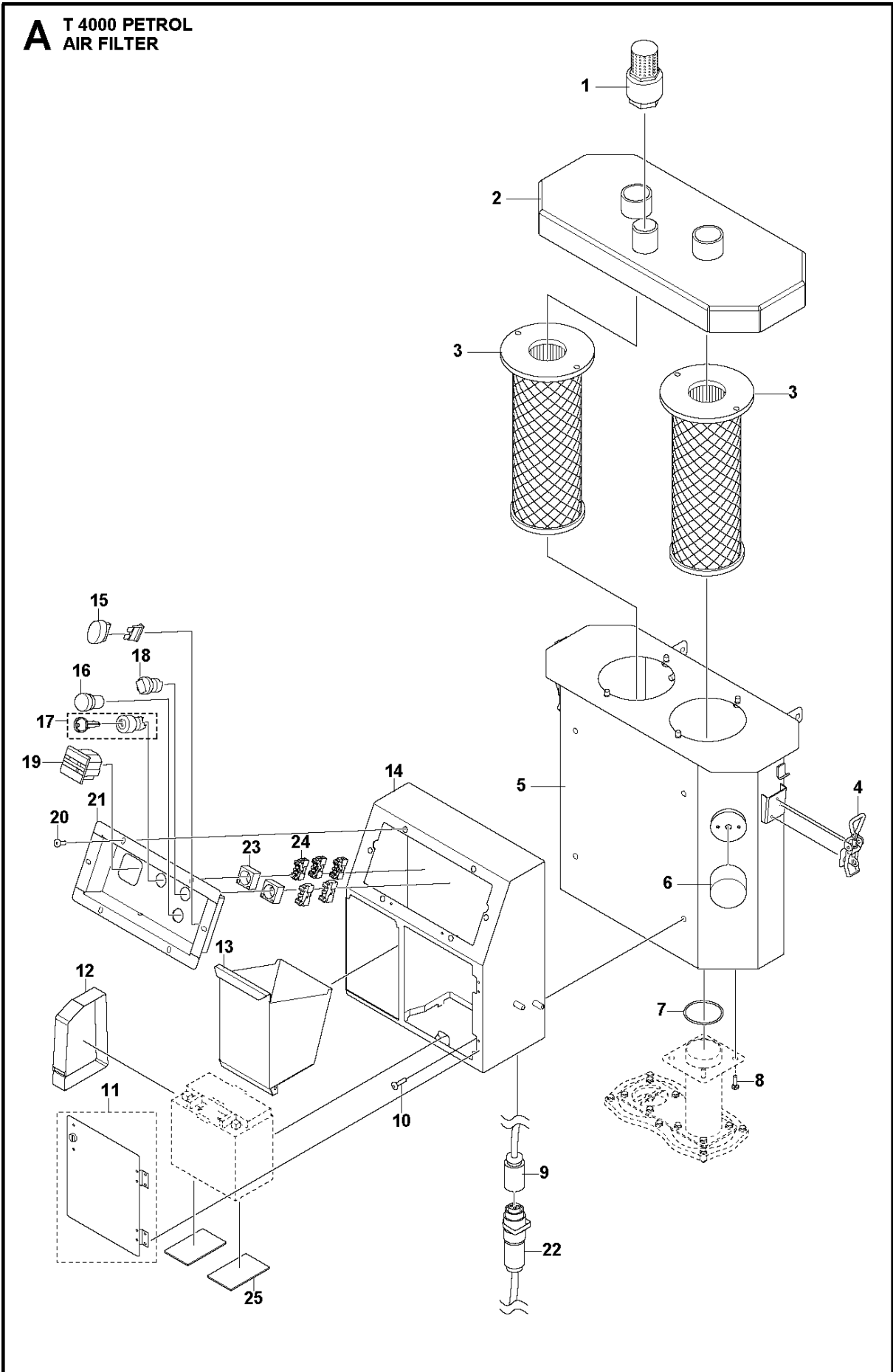


SPARE PARTS LIST

DUST AND SLURRY MANAGEMENT

T 4000 PETROL, 2019-11

A T 4000 PETROL
AIR FILTER

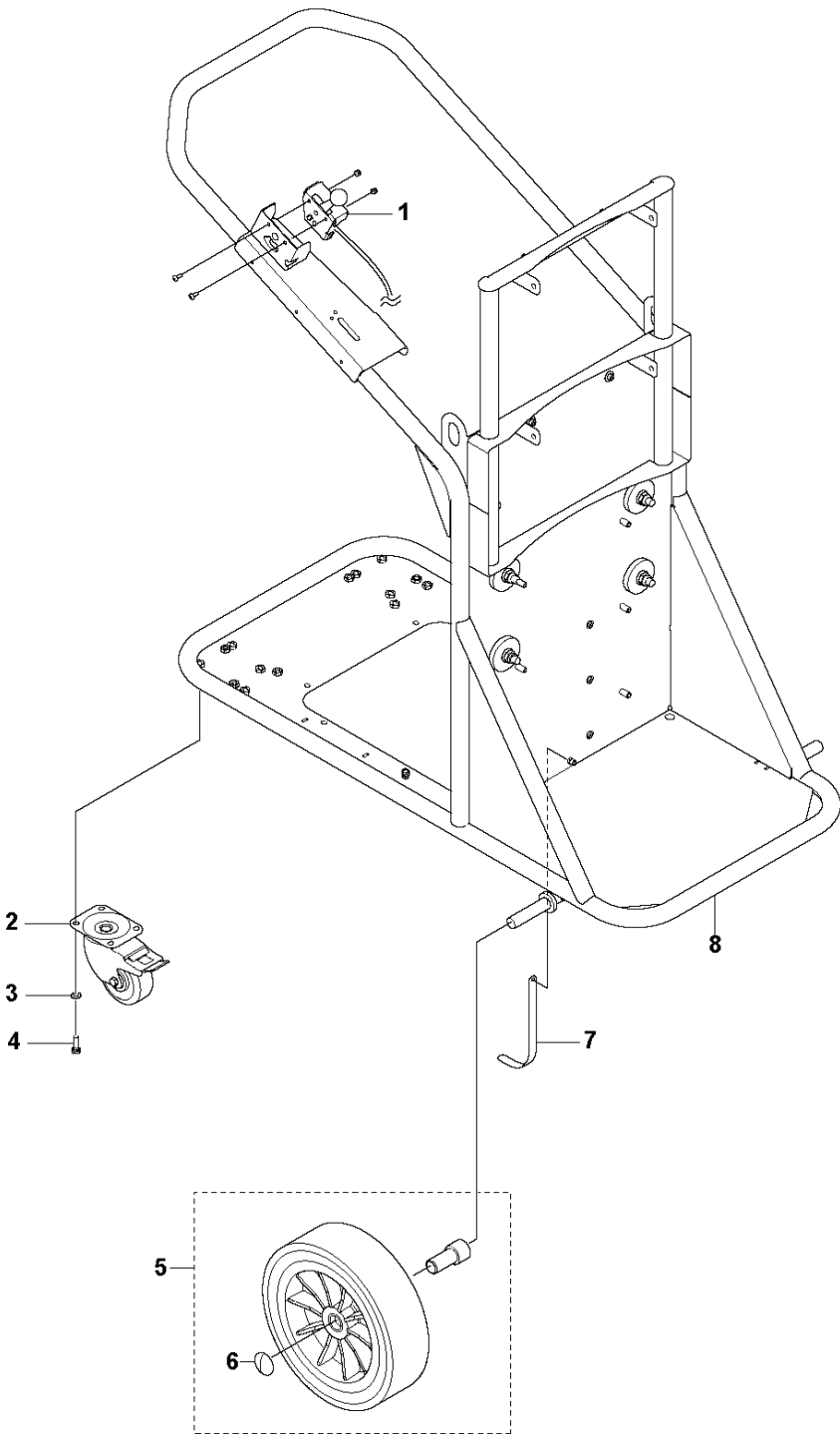


AIR FILTER

T 4000 PETROL, 2019-11

| Ref | Part No | Description | Remark | QTY KIT |
|-----|--------------|----------------|---------------------|---------|
| 1 | 590 43 21-01 | CHECK VALVE | | 1 |
| 2 | 595 32 09-01 | COVER | | 1 |
| 3 | 590 42 98-01 | FILTER | | 2 |
| 4 | 590 43 39-01 | LATCH | | 2 |
| 5 | 598 45 85-01 | FILTER HOUSING | | 1 |
| 6 | 590 43 27-01 | MANOMETER | | 1 |
| 7 | 581 13 58-01 | SEALING RING | | 1 |
| 8 | 522 62 21-01 | SCREW EHHM | | 1 |
| 9 | 597 24 99-01 | PLUG | | 1 |
| 10 | 535 42 58-02 | SCREW IHANM | | 4 |
| 11 | 595 94 37-01 | LID ASSY | | 1 |
| 12 | 597 32 75-01 | STRAP | | 1 |
| 13 | 597 15 08-01 | HATCH | | 1 |
| 14 | 597 15 05-01 | BOX | | 1 |
| 15 | 597 25 98-01 | FUSE HOLDER | | 1 |
| 16 | 597 25 93-01 | LAMP | Indicator amber LED | 1 |
| 17 | 597 74 01-01 | SWITCH | Actuator with key | 1 |
| 18 | 597 74 01-01 | SWITCH | Actuator on-off | 1 |
| 19 | 590 45 55-01 | HOUR METER | | 1 |
| 20 | 592 68 21-01 | SCREW | | 1 |
| 21 | 596 51 34-01 | PANEL | | 17 |
| 22 | 597 25 00-01 | PLUG | | 1 |
| 23 | 597 74 00-01 | HOLDER | Holder | 2 |
| 24 | 597 41 63-01 | CONTACT | NO | 3 |
| 24 | 597 41 62-01 | CONTACT | NC | 2 |
| 25 | 597 32 75-01 | STRAP | | 2 |

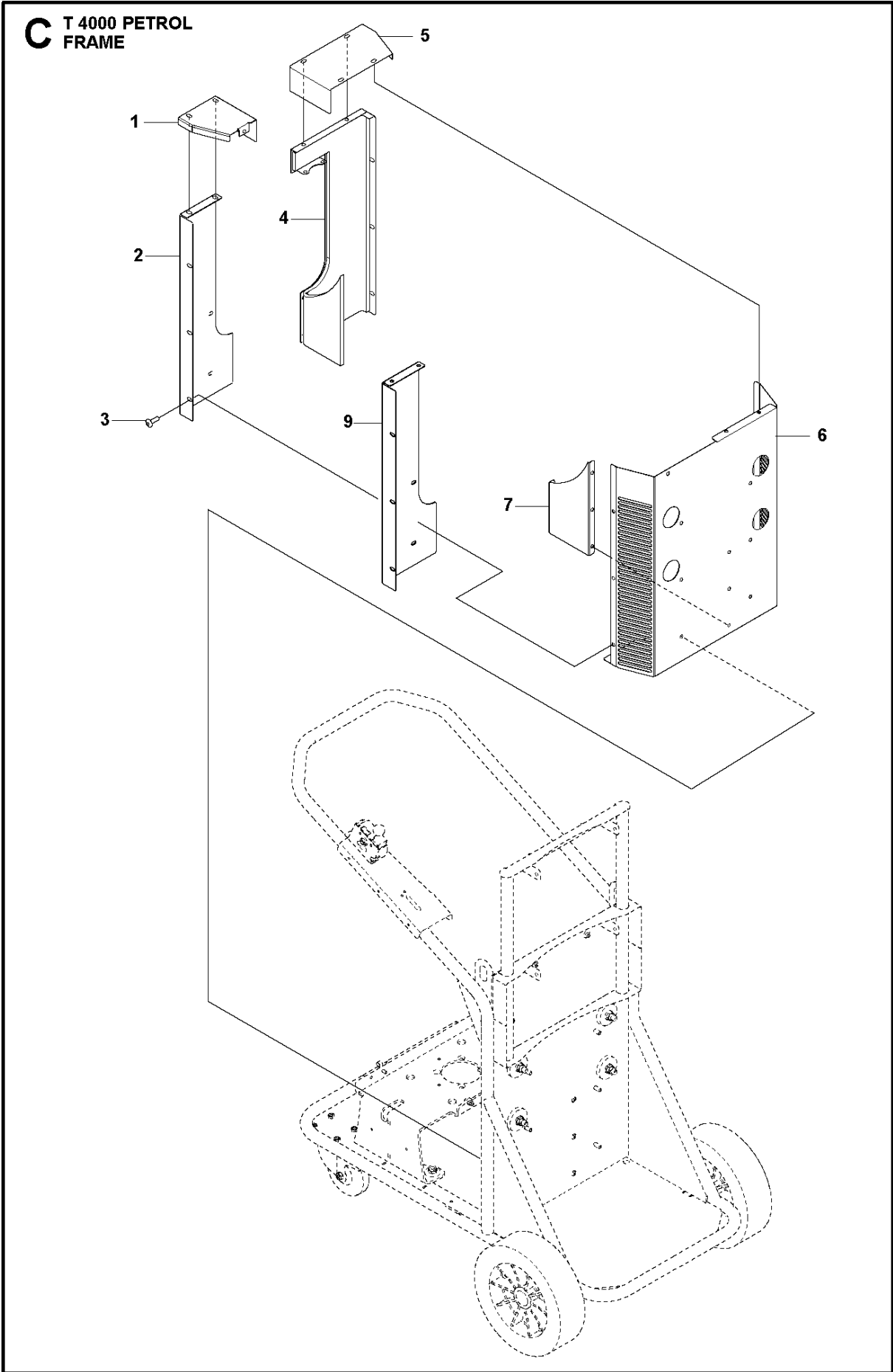
B T 4000 PETROL
CARRIAGE



CARRIAGE

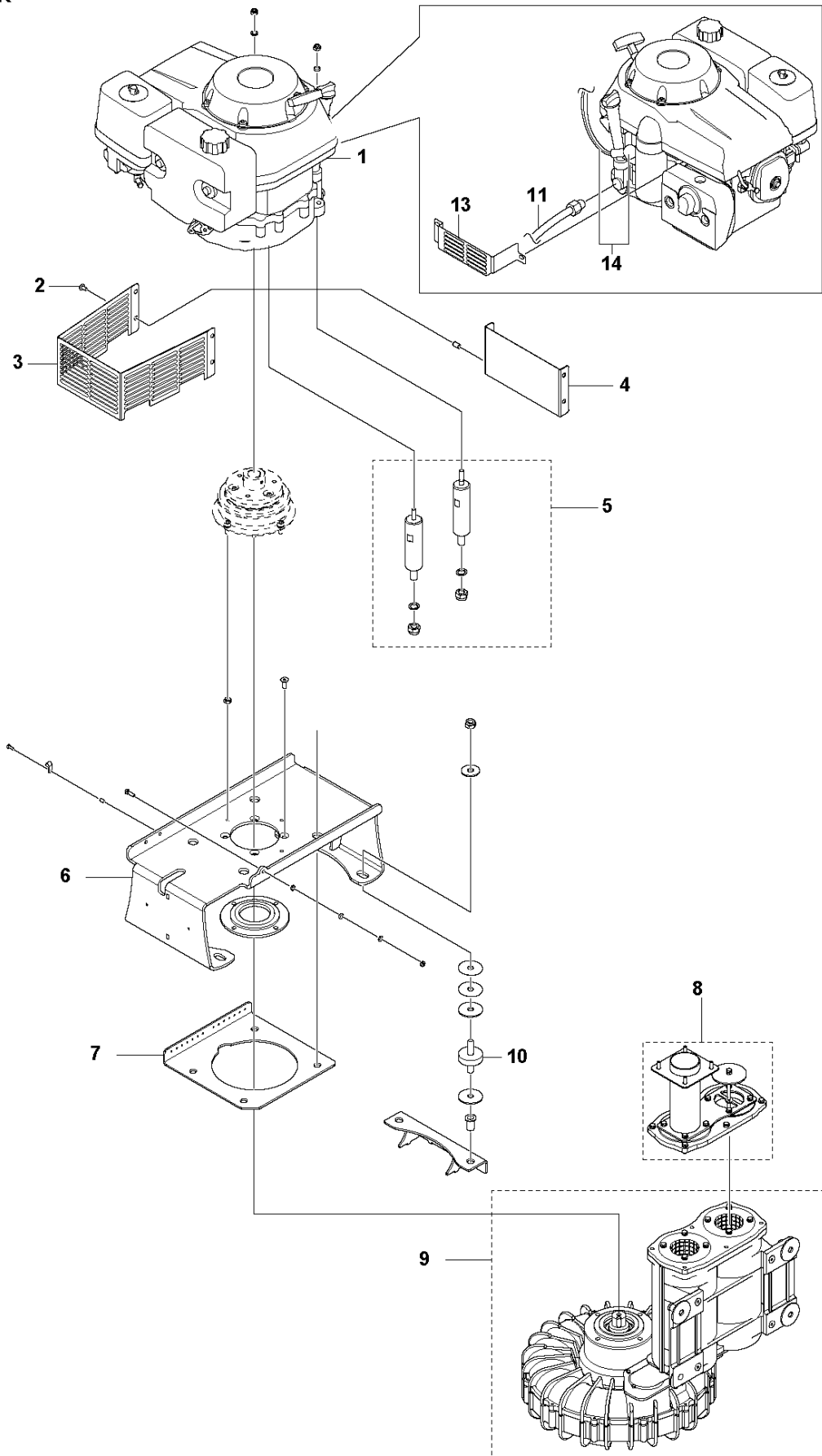
T 4000 PETROL, 2019-11

| Ref | Part No | Description | Remark | QTY | KIT |
|-----|--------------|-------------|--------|-----|-----|
| 1 | 592 13 49-01 | WIRE | | 1 | |
| 2 | 595 27 05-01 | WHEEL | | 2 | |
| 3 | 734 11 63-01 | WASHER | | 8 | |
| 4 | 725 24 53-51 | SCREW EHHM | | 8 | |
| 5 | 598 45 90-01 | WHEEL KIT | | 1 | |
| 6 | 591 69 30-01 | AXLE | | 2 | 5 |
| 7 | 598 59 37-01 | CABLE KIT | | 1 | |
| 8 | 594 96 85-01 | FRAME | | 1 | |



| Ref | Part No | Description | Remark | QTY KIT |
|-----|--------------|-------------|--------|---------|
| 1 | 597 29 91-01 | COVER | | 1 |
| 2 | 597 41 18-01 | PLATE | | 1 |
| 3 | 596 83 86-01 | SCREW | | 4 |
| 4 | 594 94 52-01 | COVER | | 1 |
| 5 | 594 94 54-01 | COVER | | 1 |
| 6 | 594 94 56-01 | PLATE | | 1 |
| 7 | 597 41 19-01 | PLATE | | 1 |

D T 4000 PETROL
MOTOR

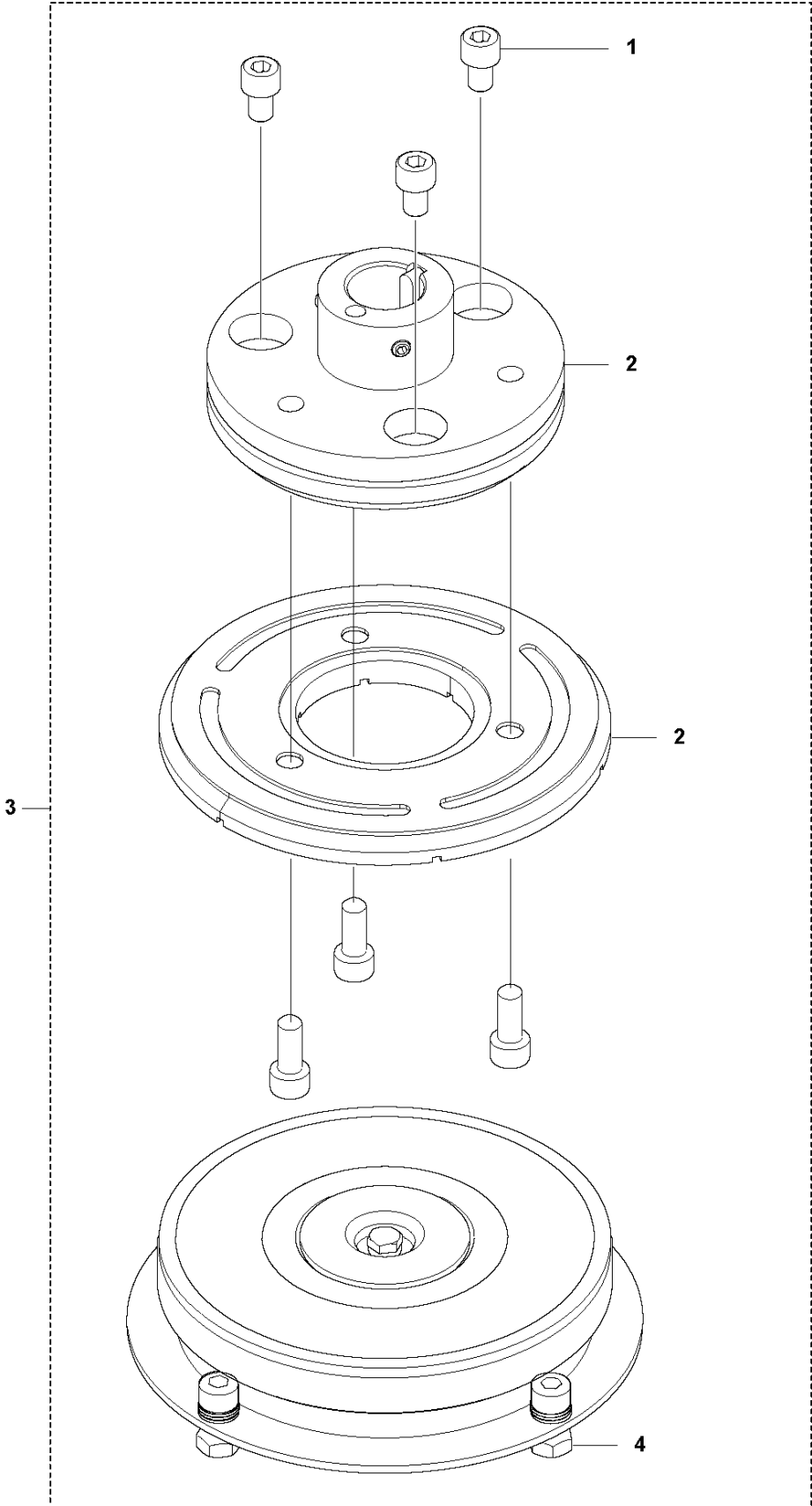


MOTOR

T 4000 PETROL, 2019-11

| Ref | Part No | Description | Remark | QTY KIT |
|-----|--------------|--------------|--------|---------|
| 1 | 591 26 73-01 | ENGINE | | 1 |
| 2 | 535 42 58-02 | SCREW IHANM | | 4 |
| 3 | 596 28 78-01 | CLUTCH COVER | | 1 |
| 4 | 596 29 41-01 | CLUTCH COVER | | 1 |
| 5 | 596 50 46-01 | BAR | | 1 |
| 6 | 596 33 99-01 | PLATE | | 1 |
| 7 | 593 03 33-01 | UNIT | | 4 |
| 8 | 596 29 97-01 | PLATE | | 1 |
| 9 | 596 34 72-01 | COVER | | 1 |
| 10 | 593 03 33-01 | UNIT | | 1 |
| 11 | 596 80 81-01 | HOSE ASSY | | 1 |
| 13 | 597 72 03-01 | COVER | | 1 |
| 14 | 542 17 70-02 | COVER | | 1 |

E T 4000 PETROL
CLUTCH

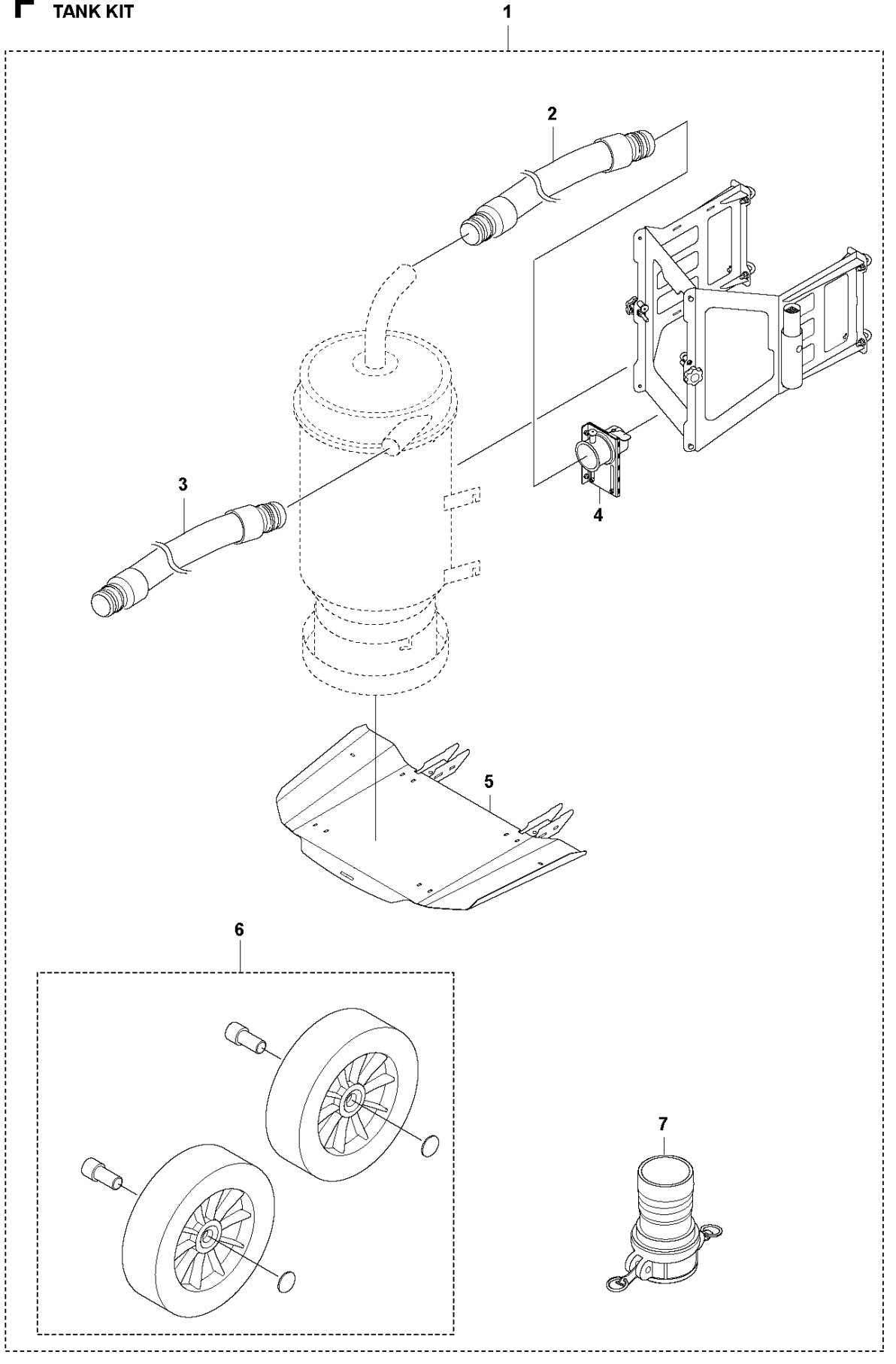


CLUTCH

T 4000 PETROL, 2019-11

| Ref | Part No | Description | Remark | QTY KIT |
|-----|--------------|----------------|--------|---------|
| 1 | 590 45 47-01 | SCREW KIT | | 3 |
| 2 | 590 45 41-01 | MOUNTING PLATE | | 1 |
| 3 | 590 45 39-01 | CLUTCH | | 1 |
| 4 | 590 45 46-01 | SCREW KIT | | 4 |

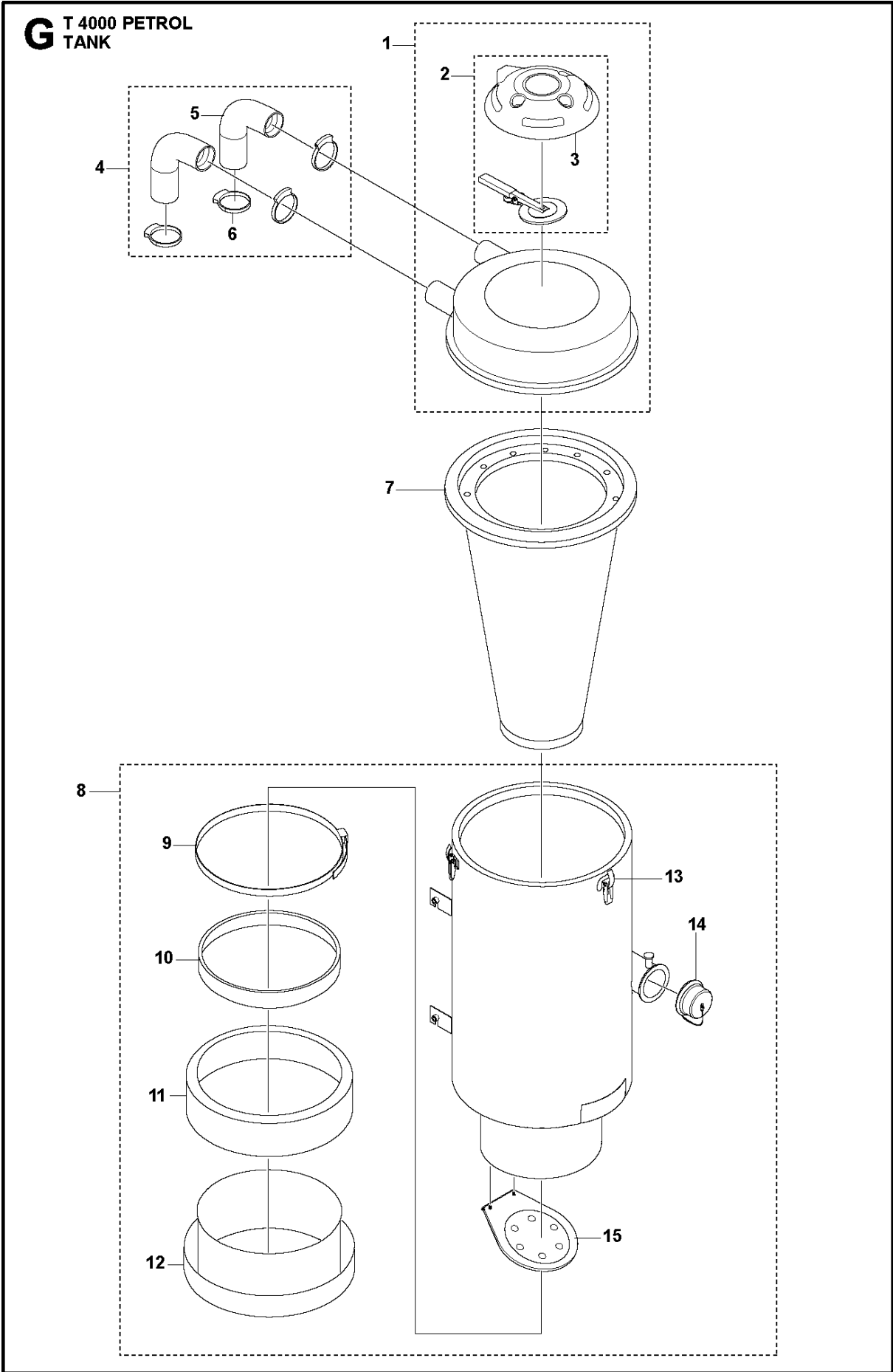
F T 4000 PETROL
TANK KIT



TANK KIT

T 4000 PETROL, 2019-11

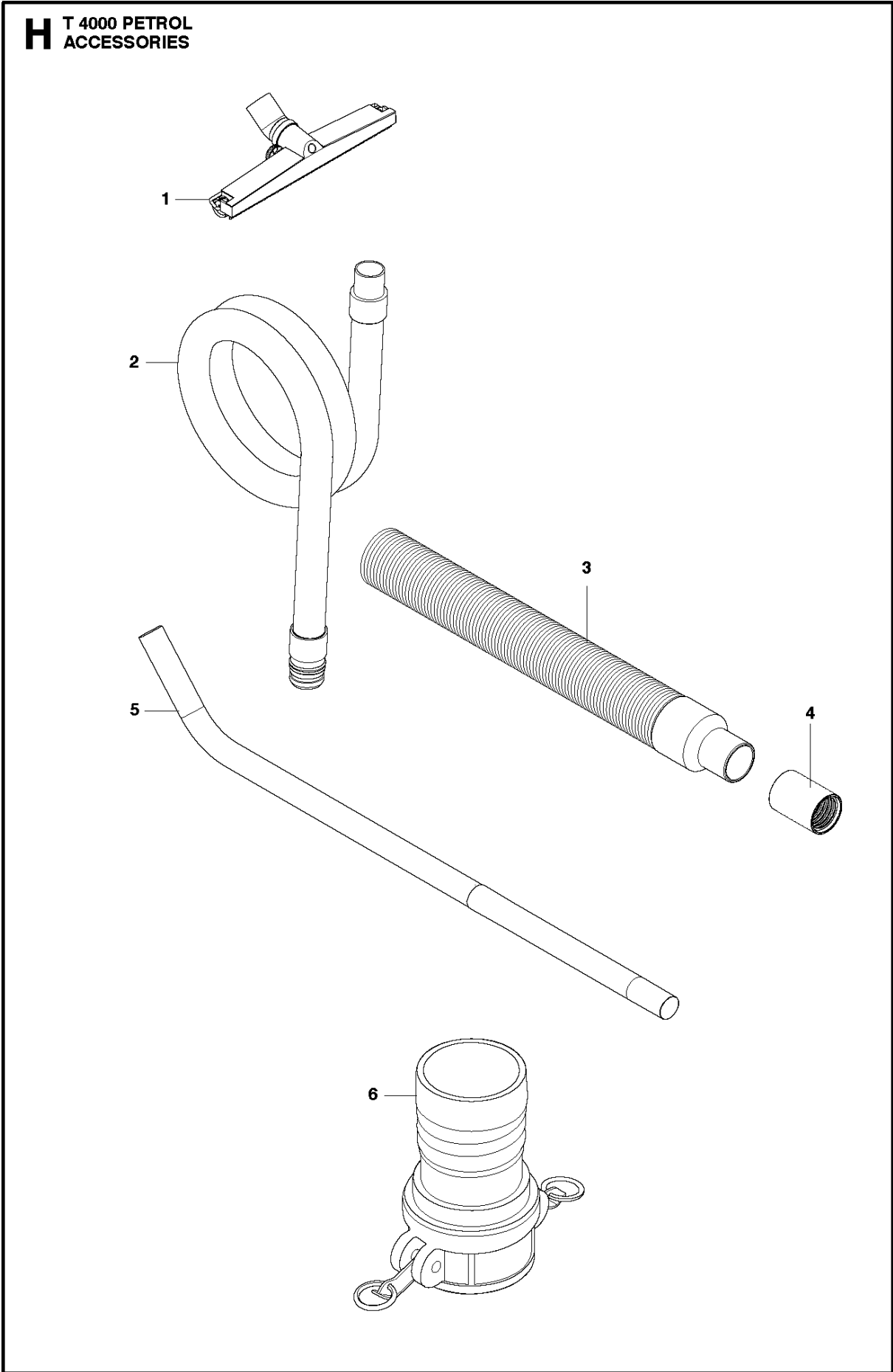
| Ref | Part No | Description | Remark | QTY KIT |
|-----|--------------|---------------|--------|---------|
| 1 | 596 23 61-02 | KIT | | 1 |
| 2 | 591 97 09-01 | HOSE | | 1 |
| 3 | 599 26 41-01 | HOSE KIT | | 1 |
| 4 | 594 00 09-01 | INLET VALVE | | 1 |
| 5 | 596 21 36-01 | PLATE | | 1 |
| 6 | 598 45 91-01 | WHEEL KIT | | 1 |
| 7 | 590 42 87-01 | ADAPTER PLATE | | 1 |



TANK

T 4000 PETROL, 2019-11

| Ref | Part No | Description | Remark | QTY KIT |
|-----|--------------|---------------|--------|---------|
| 1 | 590 47 77-02 | TANK CAP ASSY | | 1 |
| 2 | 590 41 50-02 | VALVE | | 1 |
| 3 | 590 39 96-02 | COVER KIT | | 1 |
| 4 | 598 45 92-01 | HOSE KIT | | 1 |
| 5 | 594 97 44-01 | HOSE | | 2 |
| 6 | 590 40 08-01 | HOSE CLAMP | | 4 |
| 7 | 590 43 02-02 | FILTER | | 1 |
| 8 | 591 97 06-02 | TANK | | 1 |
| 9 | 590 40 18-01 | STRAP | | 1 |
| 10 | 590 40 23-01 | SEAL | | 1 |
| 11 | 590 42 92-01 | DUST BAG | | 1 |
| 12 | 590 42 69-01 | HOLDER | | 1 |
| 13 | 590 39 64-01 | HOLDER KIT | | 1 |
| 14 | 590 42 67-01 | LID | | 1 |
| 15 | 590 39 86-01 | FLAP | | |



ACCESSORIES

T 4000 PETROL, 2019-11

| Ref | Part No | Description | Remark | QTY KIT |
|-----|--------------|---------------|--------|---------|
| 1 | 590 42 83-02 | TOOL | | 1 |
| 2 | 590 43 73-01 | HOSE | | 1 |
| 3 | 590 43 74-01 | HOSE | | 1 |
| 4 | 590 42 94-01 | ADAPTER | | 1 |
| 5 | 590 82 94-01 | TOOL | | 1 |
| 6 | 590 42 87-01 | ADAPTER PLATE | | 1 |

**J T 4000 PETROL
DECALS**

1
Husqvarna®

2
T 4000 PETROL

3
HEPA FILTER INSIDE

4

NOTICE

START GUIDE

- 1 REMOVE CLOGS OR OBSTRUCTIONS
- 2 START ENGINE AS INSTRUCTED
- 3 ADD WATER, CHANGE AS NEEDED
- 4 DISCONNECT OR PAUSE TREATMENT
- 5 CONTACT US FOR HELP

TURN OFF EQUIPMENT

- 1 LOWER HANDLE TO EASE
- 2 STOP ENGINE AS INSTRUCTED
- 3 TURN OFF ALL POWER

MAINTENANCE

INSPECT OIL, WATER AND FILTERS REGULARLY
FOR PROPER PERFORMANCE. FOLLOW INSTRUCTIONS
ON EQUIPMENT MANUAL.
PAUSE OIL CHANGE AT 4 HOURS.
IMPORTANT TO CHANGE FILTERS REGULARLY



7

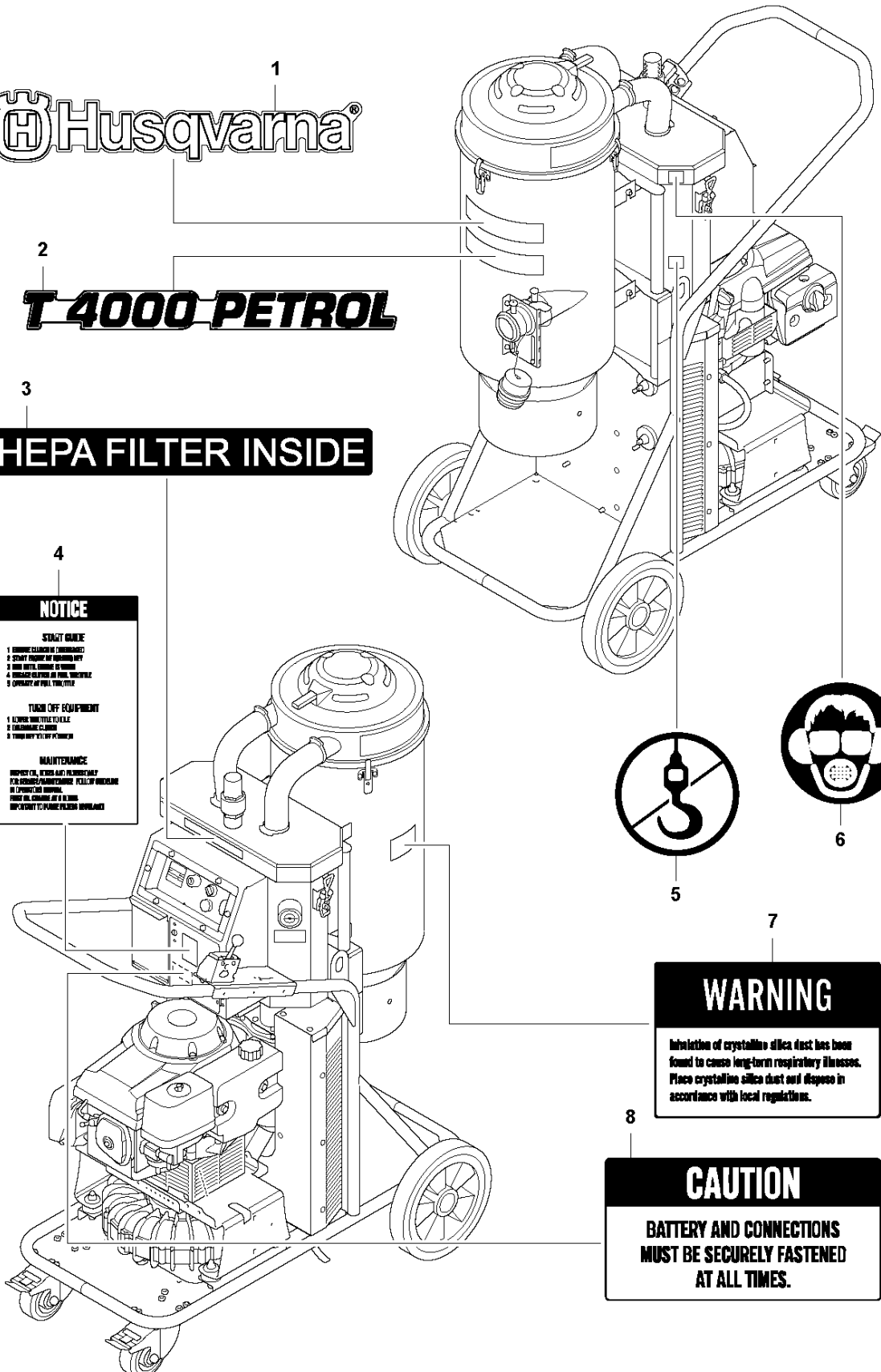
WARNING

Inhalation of crystalline silica dust has been found to cause long-term respiratory illnesses. Place crystalline silica dust and dispose in accordance with local regulations.

8

CAUTION

**BATTERY AND CONNECTIONS
MUST BE SECURELY FASTENED
AT ALL TIMES.**



DECALS

T 4000 PETROL, 2019-11

| Ref | Part No | Description | Remark | QTY KIT |
|-----|--------------|-------------|--------|---------|
| 1 | 593 67 97-01 | DECAL | | 1 |
| 2 | 597 33 19-01 | DECAL | | 1 |
| 3 | 593 77 62-01 | DECAL | | 1 |
| 4 | 597 33 24-01 | DECAL | | 1 |
| 5 | 543 07 24-95 | STICKER | | 2 |
| 6 | 591 92 91-01 | DECAL | | 2 |
| 7 | 593 72 14-01 | DECAL | | 1 |
| 8 | 593 78 42-01 | DECAL | | 1 |