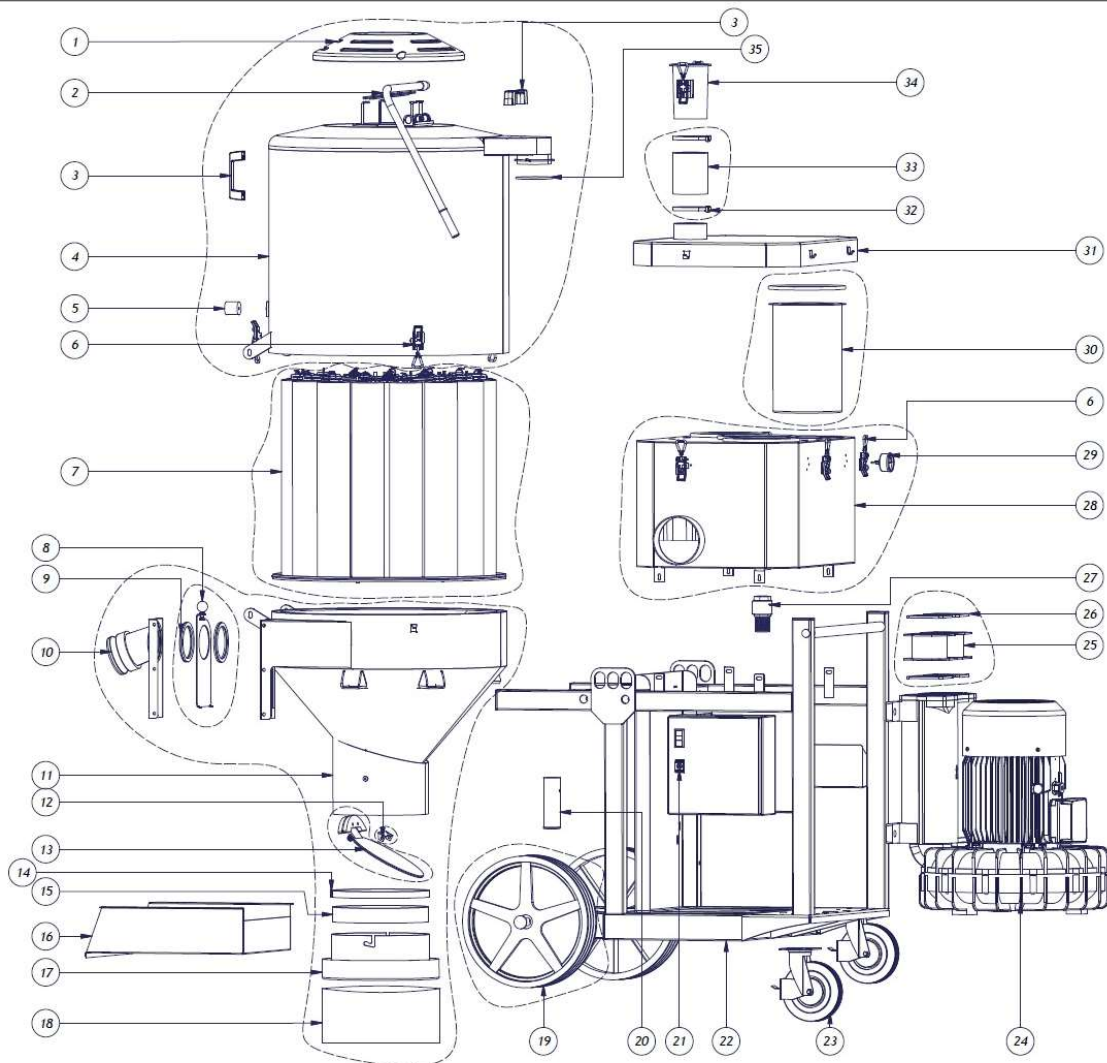


T11000
T12600
T15000
T18000



T11000/15000/18000

Pos	P.E Article Number (valid until 2018-02-28)	HVA Article Number (valid from 2017-11-27)	Description	QTY
1	200600656	590434301	Top cover	1
2	200800005	590445001	Filter cleaning unit	1
3	200600658	590434401	Handle	1
4	200700513	590479501	Upper tank kit	1
5	1370022	590433201	Rubber stop	1
6	200600606	590433901	Excentric lock kit	5
7	200700231	590438701	Filter package kit	1
8	200800007	590445101	Valve incl. gasket	1
9	200700328	590444401	Gasket for inlet valve	2
10	201000080	590445501	Inlet plate 4" camlock	1
11	200700500	590479401	Lower tank kit	1
12	25007	590431901	Holder flap	1
13	200600621	590456601	Flap kit	1
14	1371001	590433401	Belt	1
15	1351162	590432801	Anti skid	1
16	200700269	590444301	Bottom plate	1
17	200600536a	590435801	Longopac holder	1
18	1376013	590429201	Longopac bag	1
19	200800016	590445201	Front wheel kit	2
20	200500220	590444101	Stripe holder	1
21	200700516	590444701	Electrical cabinet 11 kW 400 V (T11000)	1
21	201500057	590445901	Electrical cabinet 12,6/18 kW 480 V (T12600,T18000)	1
21	201500058	590446001	Electrical cabinet 15 kW 230 V (T15000)	1
22	N/A	N/A	Contact Vendor	1
23	25046	590443801	Caster wheel	2
24	2360	590443701	VACUUM PUMP 11 kW 400 V (T11000)	1
24	200700515	590444601	VACUUM PUMP 12,6 kW 480 V (T12600)	1
24	201500059	590446101	VACUUM PUMP 15 kW 230 V (T15000)	1
24	201500060	590446201	VACUUM PUMP 18 kW 480 V (T18000)	1
25	N/A	N/A	Contact Vendor	1
26	N/A	N/A	Contact Vendor	1
27	806831	590443901	Vacuum check valve	1
28	200800003	590444801	Hepa filter box kit	1
29	1349116	590432701	Manometer	1
30	200600595a	N/A	Hepa filter H13 100% DOP tested	4
30	200600595	590433701	Hepa filter H13	4
31	200700343	590444501	Top cover hepa filter box	1
32	201200533	590445601	102mm (4") Hose clamp	2
33	200800004	590444901	Hose 102mm (4") kit	1
34	200800062	590445301	Hose connection 102mm (4") female	1