

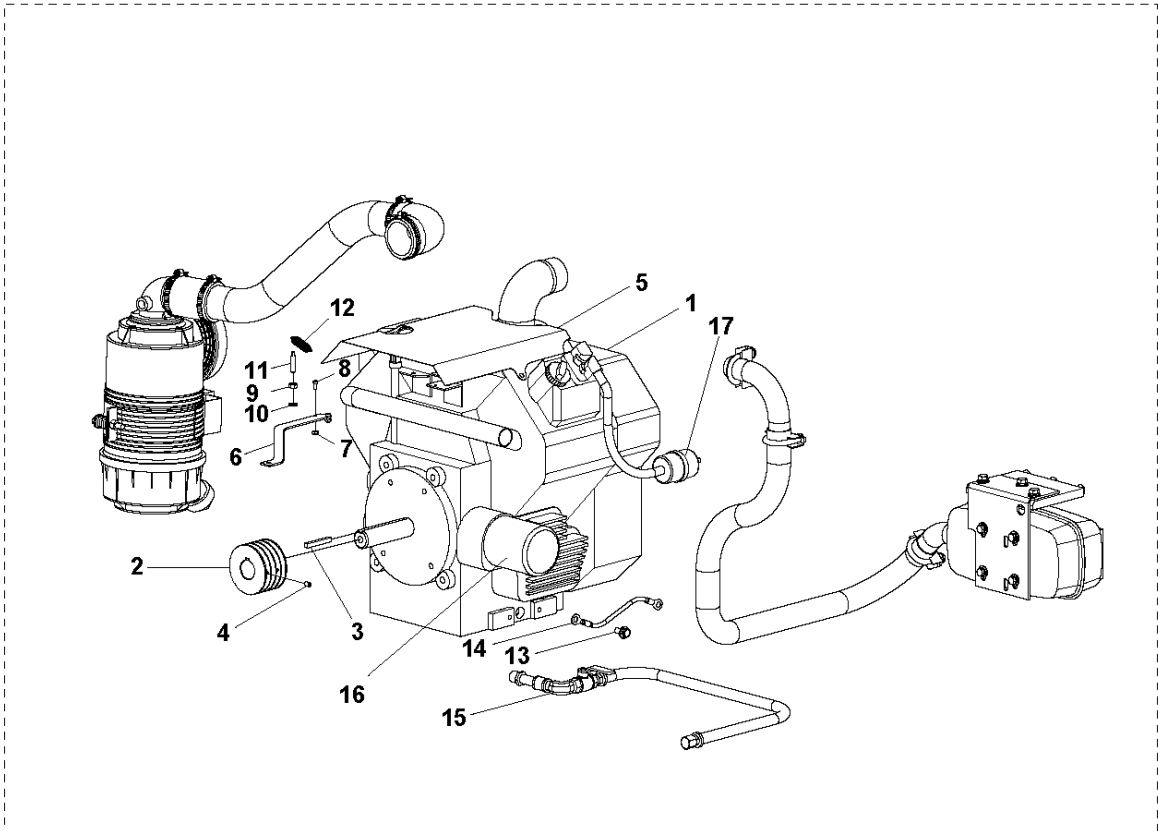


# SPARE PARTS LIST

EARLY ENTRY SAWS

SOFF CUT 4200, 2016-12

**A** SOFF CUT GX4200  
ENGINE



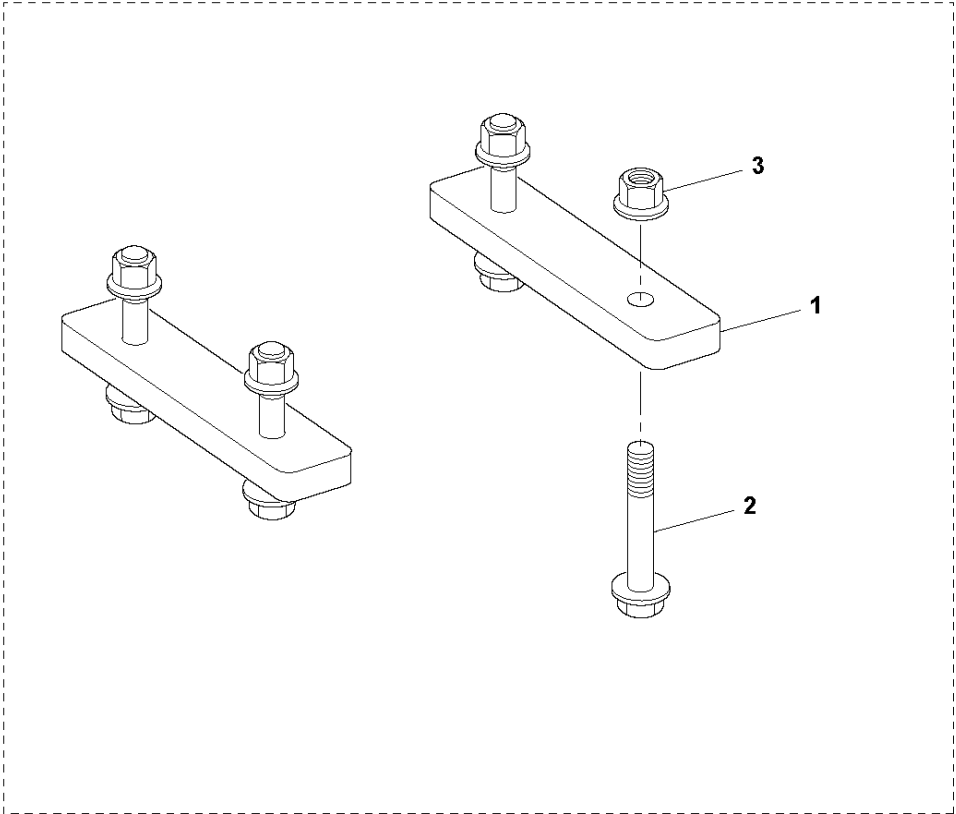
18

## ENGINE

SOFF CUT 4200, 2016-12

Ref	Part No	Description	Remark	QTY	KIT
1	581 83 08-01	ENGINE	Incl. 2 - 4	1	20
2	587 93 57-01	PULLEY	"Rail 14""", Incl. 2 - 4 "	1	20
3	539 91 02-10	KEY	"Rail 16""", Incl. 2 - 4 "	1	20
4	542 02 05-41	SHSS,.25-20 X.375 CUP HK/CONCR		4	20
5	505 79 15-01	HEAT SHROUD		1	20
6	505 79 23-01	THROTTLE LINKAGE		1	20
7	505 80 21-01	NYLOC NUT 6-32 STAINLESS STEEL		2	20
8	505 62 76-01	SHC 6-32 X 3/8 S.S.		2	20
9	505 63 19-01	JAM NUT 1/4-20 STAINLESS STEEL		1	20
10	505 63 28-01	LK WASH 1/4 SPLIT SS	"14""", 16""", Rail 14""""	1	20
11	505 77 45-01	SPRING ANCHORS	"Rail 16""""	1	20
12	505 63 58-01	SPRING		1	20
13	505 79 56-01	M8 X 16MM FLANGE BOLT	Incl. 11 - 15	1	20
14	575 44 66-05	KIT		1	20
15	505 85 75-07	KIT		1	20
16	505 79 74-01	OIL FILTER	Incl. 16	1	20
17	505 79 82-01	FUEL FILTER		1	20
18	510 27 16-02	ASSEMBLY		1	

**B** SOFF CUT GX4200  
MOTOR MOUNT



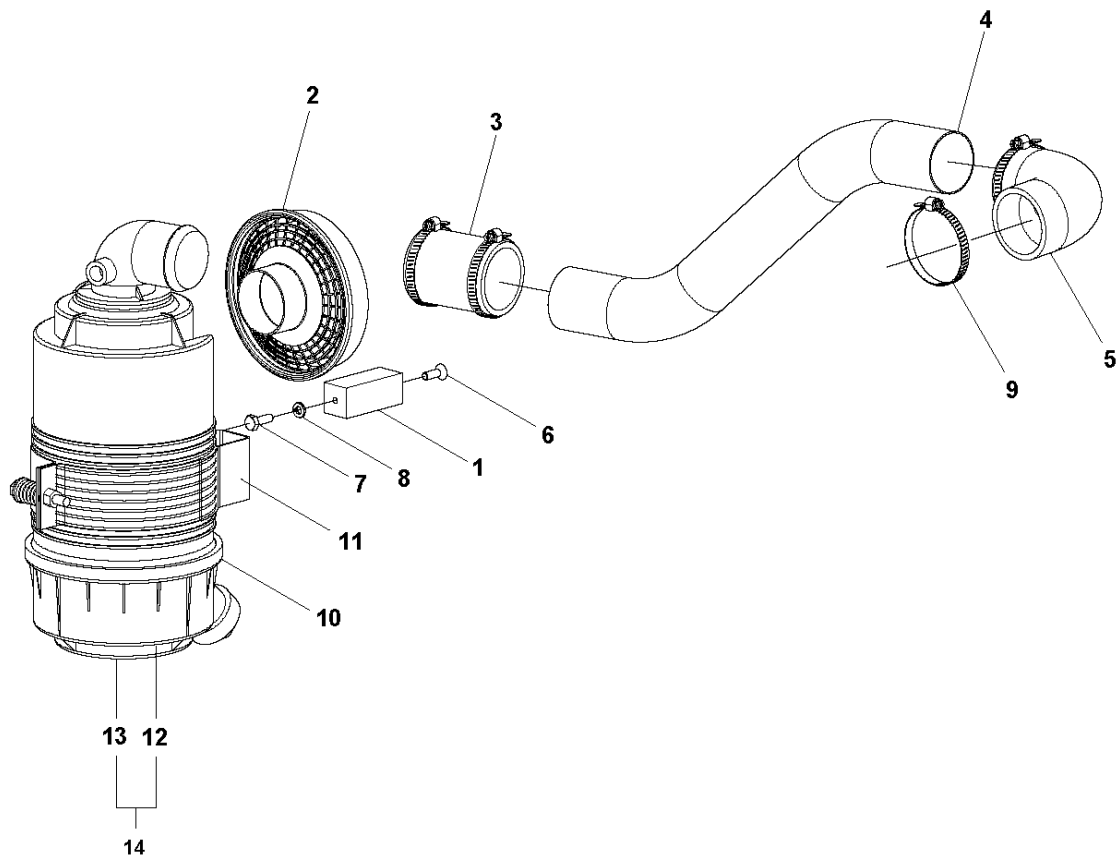
4

MOTOR MOUNT BUSHING

SOFF CUT 4200, 2016-12

Ref	Part No	Description	Remark	QTY	KIT
1	501 08 06-01	PLATE		2	4
2	576 64 57-05	NUT FLANGE		4	4
3	581 24 33-01	SCREW EHHFM		4	4

**C** SOFF CUT GX4200  
INTAKE SYSTEM

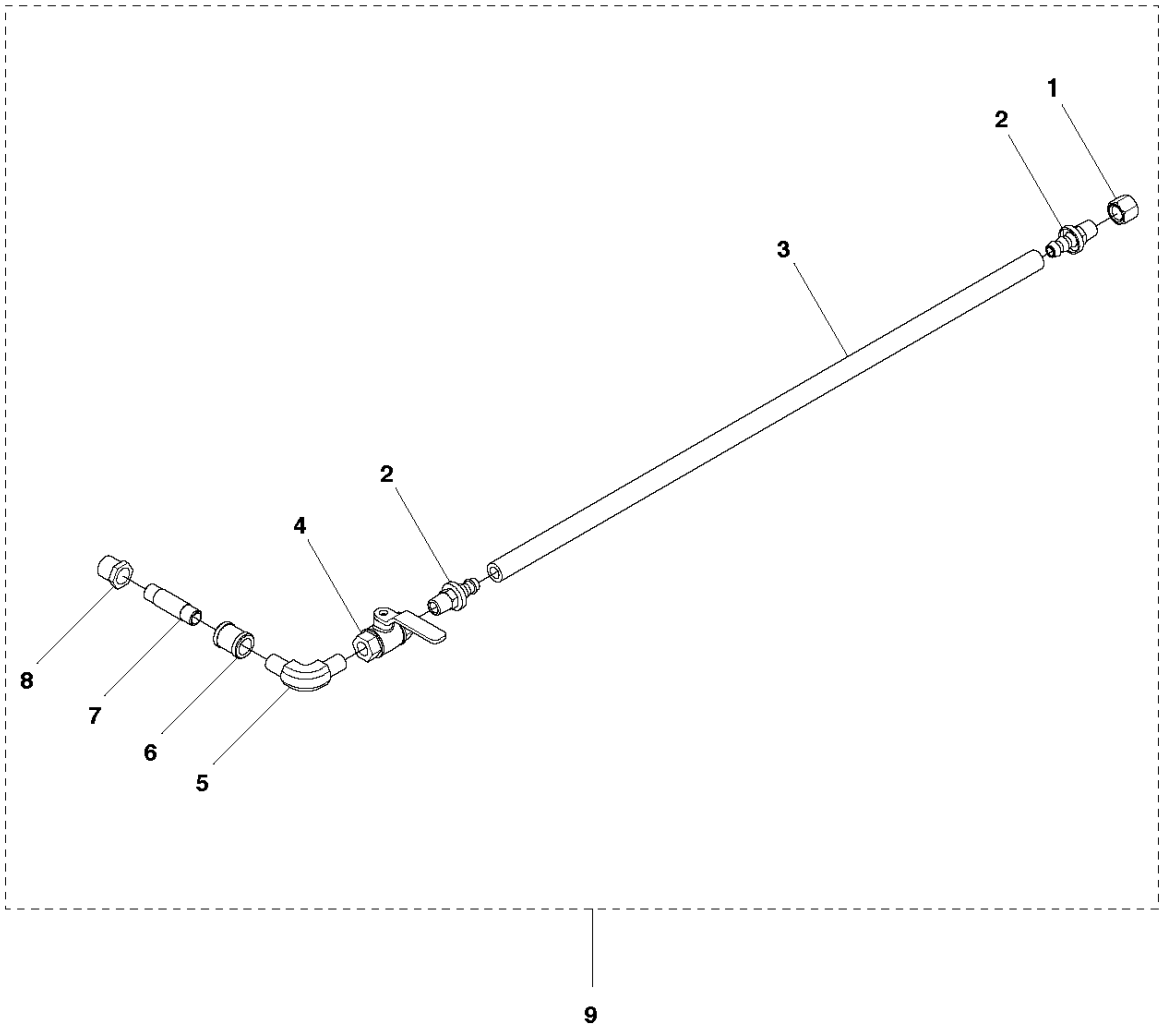


## INTAKE SYSTEM

SOFF CUT 4200, 2016-12

Ref	Part No	Description	Remark	QTY	KIT
1	505 79 33-01	AIR CANISTER SUPPORT BRACE		1	
2	505 83 63-01	HOOD		1	
3	575 65 42-03	HOSE		1	
4	505 79 18-01	INTAKE TUBE		1	
5	505 74 50-02	ELBOW		1	
6	505 62 86-01	FHS 1/4-20-3/4 S.S.		1	
7	505 62 75-01	HEX BOLT 1/4-20-3/4 S.S.		1	
8	505 63 28-01	LK WASH 1/4 SPLIT SS		1	
9	505 77 60-01	1 9/16--2 1/2 WORM GEAR CLAMP		4	
10	505 83 61-01	AIR CLEANER		1	
11	523 01 76-01	BRACKET		1	
12	505 79 80-01	AIR FILTER		1	15
13	505 79 81-01	AIR FILTER		1	15
14	505 48 23-06	FILTER	2 inner filters & 2 outer filters	1	

**D** SOFF CUT GX4200  
OIL DRAIN



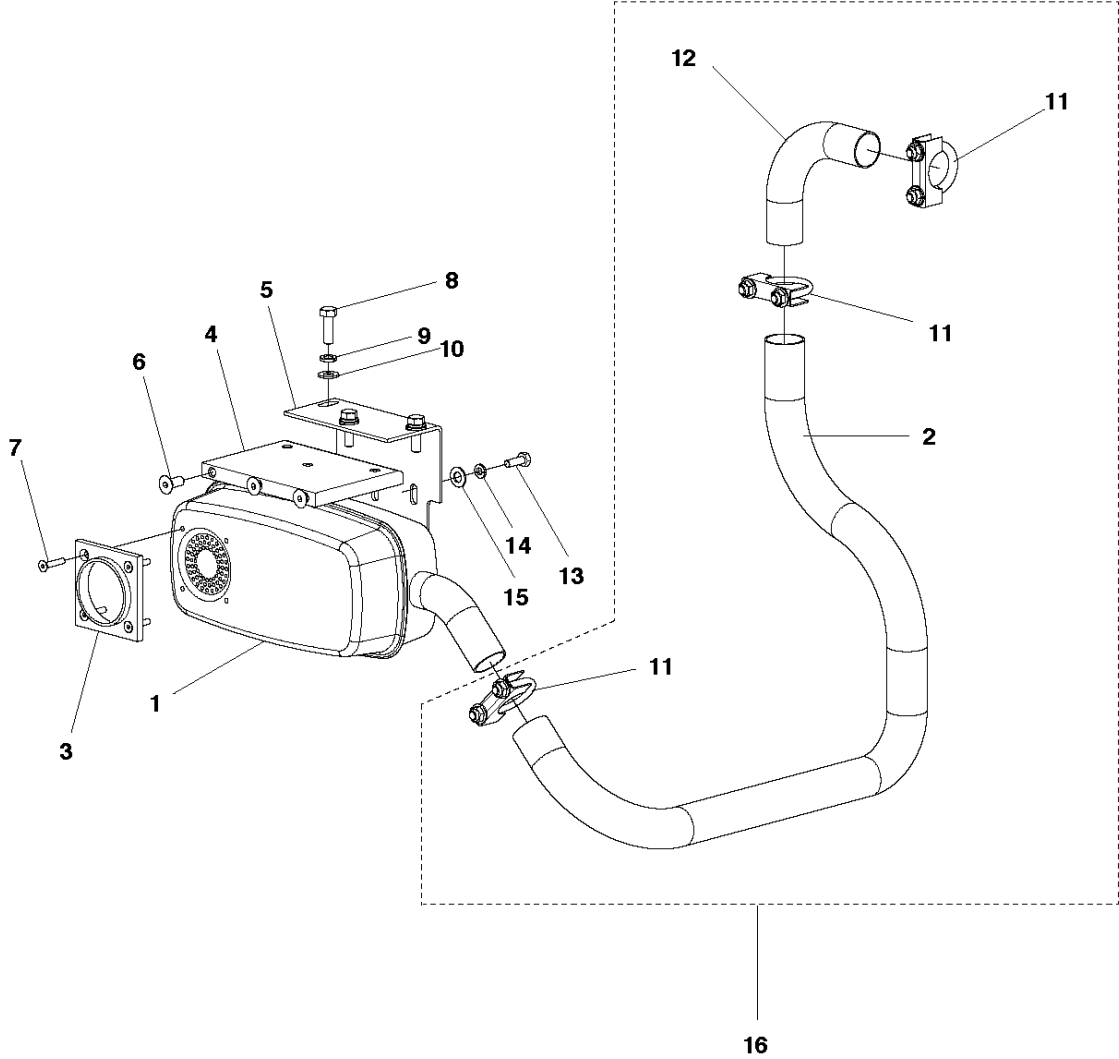


## OIL DRAIN

SOFF CUT 4200, 2016-12

Ref	Part No	Description	Remark	QTY	KIT
1	505 77 66-01	DUST CAP FOR OIL DRAIN-RP85123		1	9
2	505 73 86-01	GATES 6LOC-4RMP PUSH ON FITTIN		2	9
3	505 73 85-01	GATES 6 LOLA+ 3/8 I.D. HOSE		1	9
4	505 73 89-01	LHA BALL VALVE BV-04N		1	9
5	505 73 87-01	HCI ADAPTER MP-MP90-4-4		1	9
6	505 79 66-01	1/4 BRASS COUPLING		1	9
7	505 79 65-01	1/4" X 2" BRASS NIPPLE		1	9
8	505 79 64-01	HEX BUSHING		1	9
9	505 85 75-07	KIT		1	

**E** SOFF CUT GX4200  
EXHAUST SYSTEM

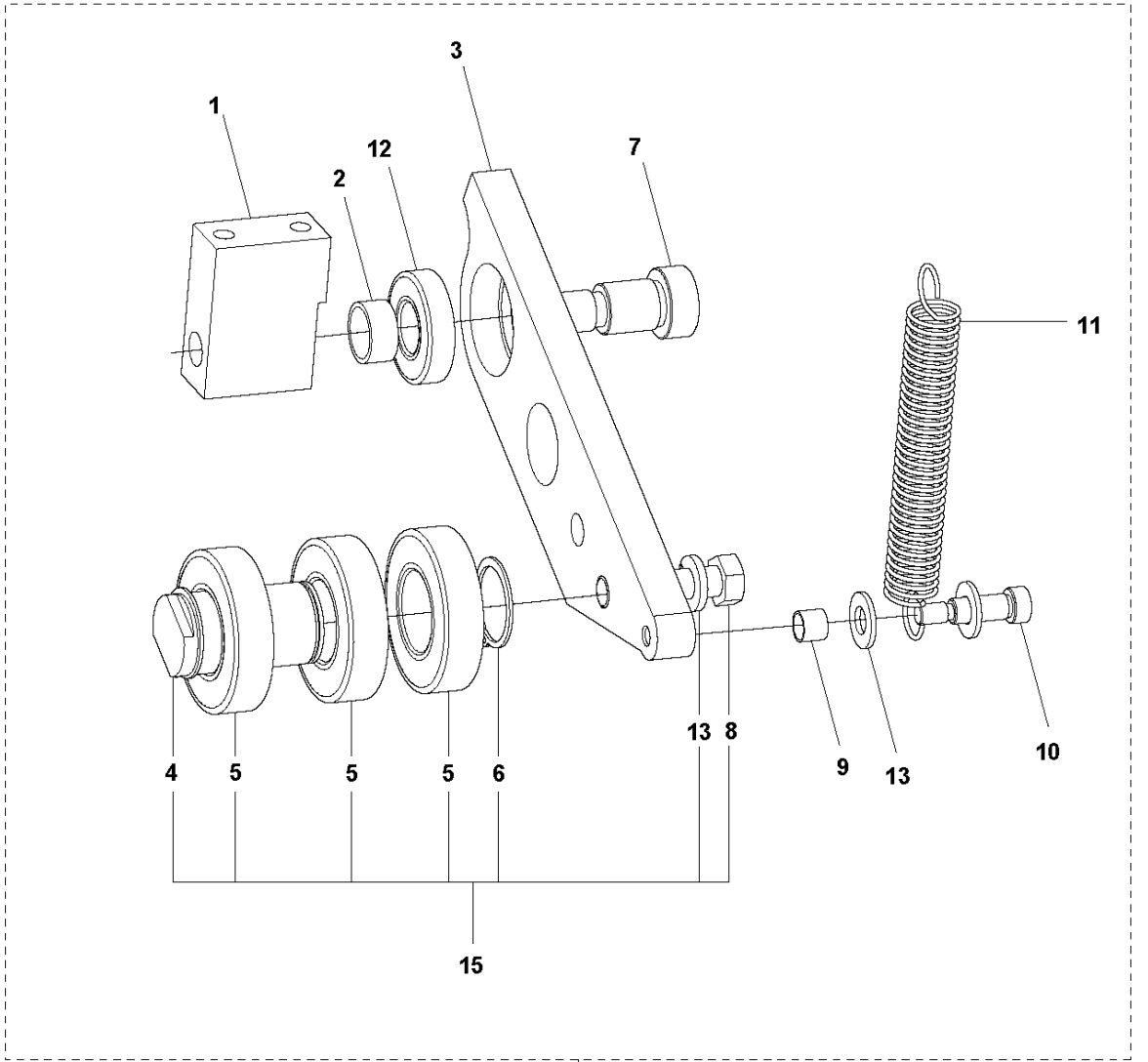


## EXHAUST

SOFF CUT 4200, 2016-12

Ref	Part No	Description	Remark	QTY KIT
1	505 79 72-01	MUFFLER		1
2	505 87 06-01	MUFFLER PIPE		1
3	505 79 28-01	EXHAUST SPACER		1
4	505 79 29-01	MUFFLER MOUNTING PLATE		1
5	505 76 73-02	BRACKET		1
6	505 62 88-01	FHS 5/16-18-3/4 S.S.		3
7	505 73 00-01	SCREW		4
8	539 99 02-09	BOLT		3
9	505 63 30-01	LK WASH 5/16 SPLIT SS		3
10	539 99 01-88	WASHER		3
11	505 74 32-01	MUFFLER CLAMP 1 1/8"		3
12	505 79 73-01	GX4200 EXHAUST ELBOW		1
13	505 62 75-01	HEX BOLT 1/4-20-3/4 S.S.		4
14	505 63 28-01	LK WASH 1/4 SPLIT SS		4
15	505 72 55-01	FLAT WASH 1/4 PFC9 SAE ZINC		4
16	505 87 06-01	MUFFLER PIPE		1

**F** SOFF CUT GX4200  
BLADE IDLER PULLEY

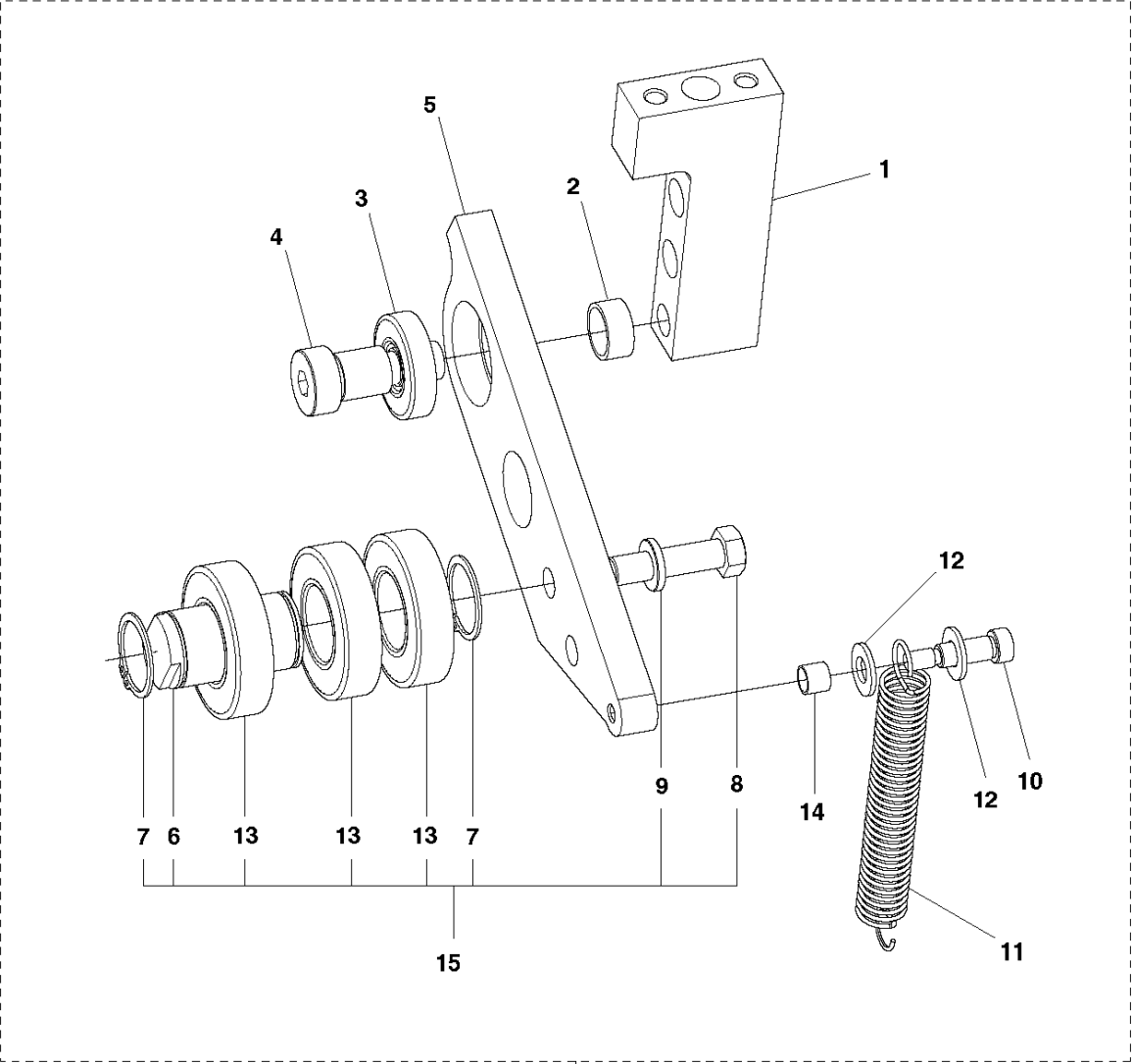


## BLADE IDLER PULLEY

SOFF CUT 4200, 2016-12

Ref	Part No	Description	Remark	QTY	KIT
1	505 71 48-01	MTG BLOCK - BLADE IDLER PULLEY		1	16
2	505 71 46-02	SPACER		1	16
3	505 70 69-01	PUMP ARM IDLER PULLEY		1	16
4	505 70 68-01	BLADE		1	15, 16
5	505 73 63-01	WHEEL		3	15, 16
6	542 20 62-05	SNAP RING		2	15, 16
7	505 72 62-01	SHSB 5/8 X 3/4 BLK STL		1	16
8	505 79 58-01	HEX HD 3/8-16X1 1/2 GR 8		1	15, 16
9	505 71 79-01	BUSHING.G.A.(.315 SPACER)		1	16
10	505 72 64-01	SHSB 5/16 X 3/4 BLK STL		1	16
11	505 79 69-01	SPRING		1	16
12	505 73 60-01	PULLEY		1	16
13	505 73 10-01	LK WASH 3/8 SPLIT SS		1	15, 16
14	539 99 01-88	WASHER		2	16
15	505 86 04-01	GX4200 BLADE IDLER PULLEY KIT		1	16
16	510 27 17-02	BLADE		1	

**G** SOFF CUT GX4200  
PUMP IDLER PULLEY

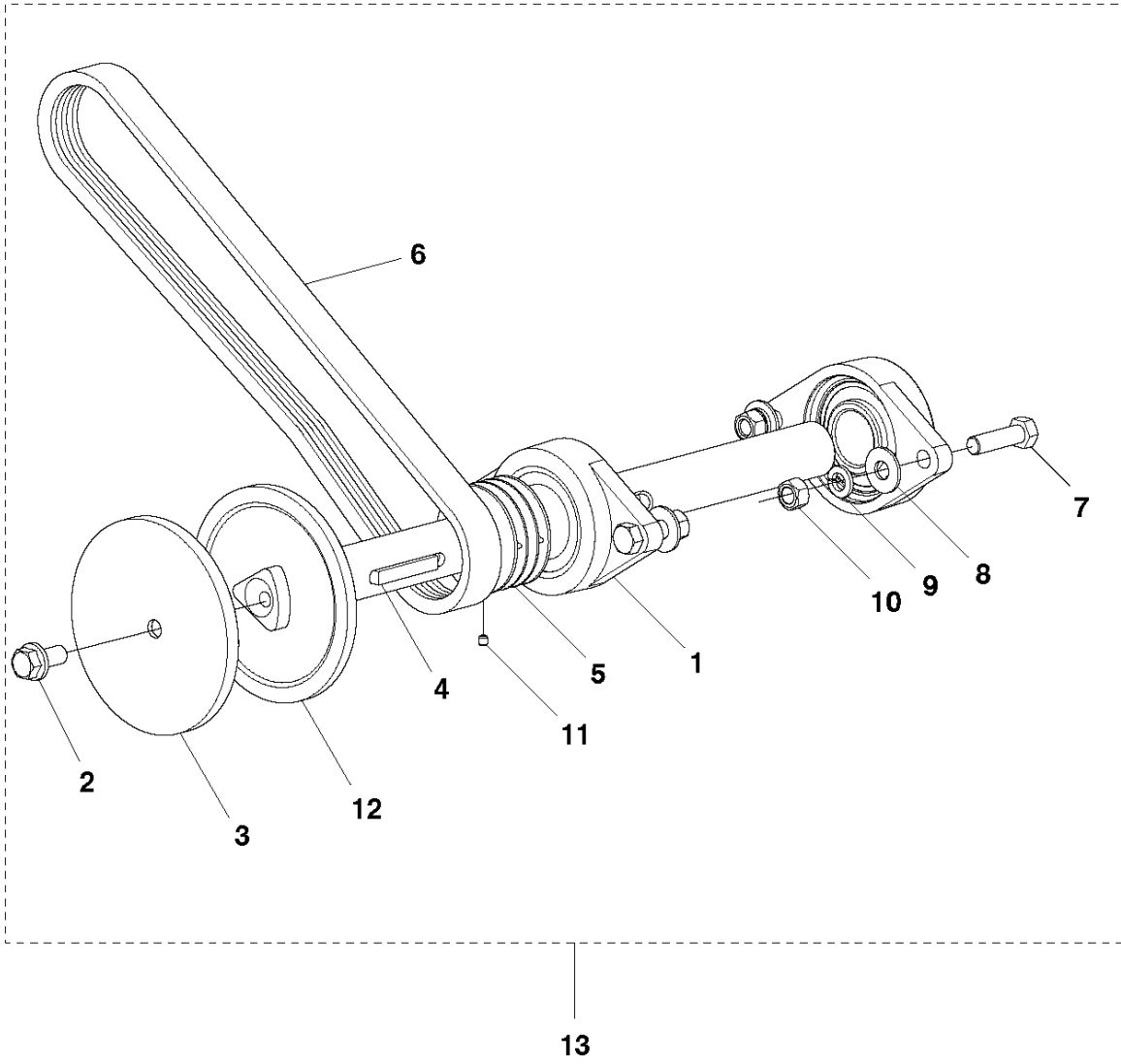


## PUMP IDLER PULLEY

SOFF CUT 4200, 2016-12

Ref	Part No	Description	Remark	QTY	KIT
1	505 71 44-01	MTG BLOCK PUMP IDLER PULLEY		1	16
2	505 71 46-02	SPACER		1	16
3	505 73 60-01	PULLEY		1	16
4	505 72 62-01	SHSB 5/8 X 3/4 BLK STL		1	15, 16
5	505 70 69-01	PUMP ARM IDLER PULLEY		1	15, 16
6	505 70 68-01	BLADE		1	15, 16
7	542 20 62-05	SNAP RING		2	16
8	505 79 58-01	HEX HD 3/8-16X1 1/2 GR 8		1	15, 16
9	505 73 10-01	LK WASH 3/8 SPLIT SS		1	16
10	505 72 64-01	SHSB 5/16 X 3/4 BLK STL		1	16
11	505 77 46-01	PUMP		1	16
12	539 99 01-88	WASHER		2	16
13	505 73 63-01	WHEEL		3	15, 16
14	505 71 79-01	BUSHING.G.A.(.315 SPACER)		1	16
15	505 48 34-01	PULLEY		1	16
16	510 27 18-02	ASSEMBLY		1	

**H** SOFF CUT GX4200  
BLADE SHAFT



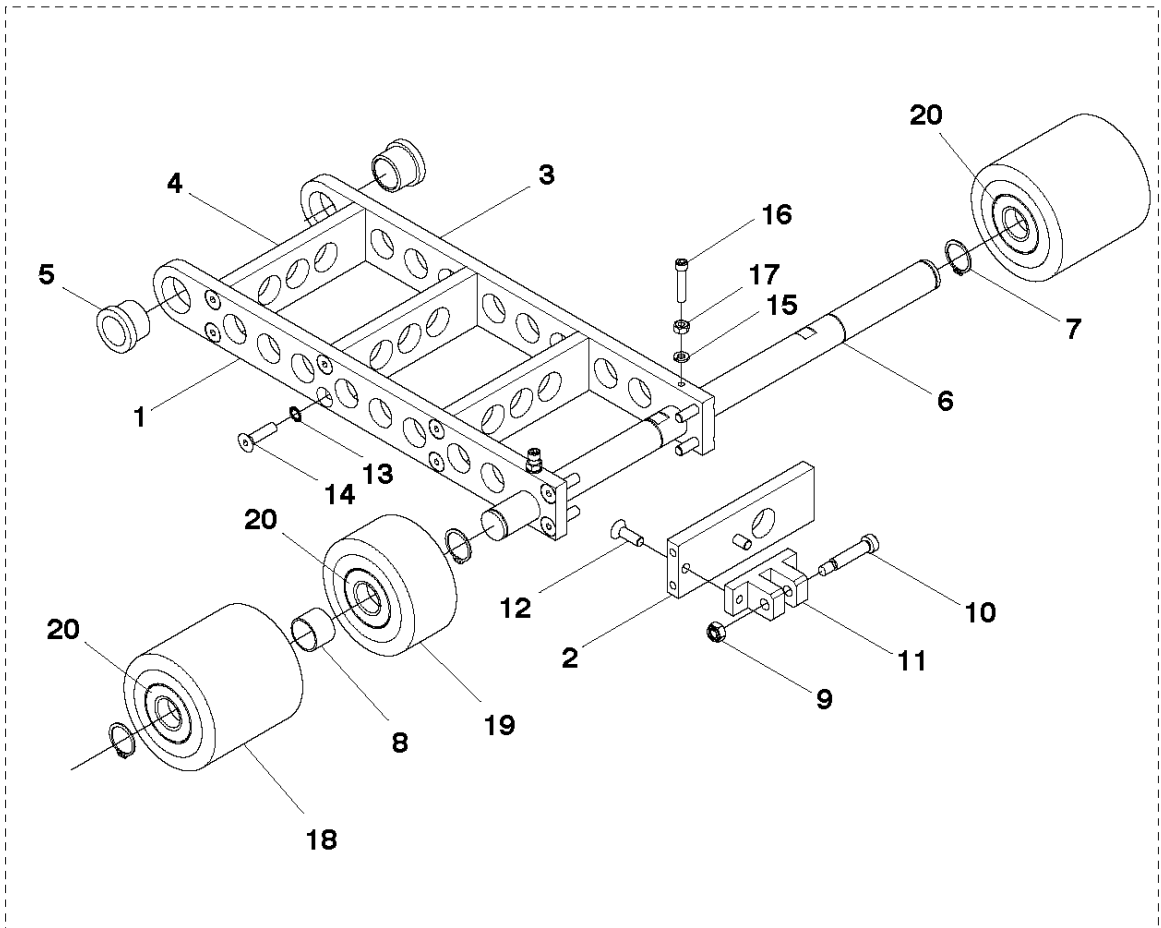


## BLADE SHAFT

SOFF CUT 4200, 2016-12

Ref	Part No	Description	Remark	QTY	KIT
1	505 77 41-01	BLADE SHAFT		2	13
2	505 48 37-01	BOLT		1	13
3	505 49 15-05	WASHER		1	13
4	541 20 21-64	KEY		1	13
5	587 92 98-01	PULLEY		1	13
6	505 77 74-01	V-BELT		1	13
7	505 72 70-01	HEX BOLT 1/2-20-1 3/4 GR 8		4	13
8	505 73 14-01	FLAT WASH 1/2 X 1 1/4 O.D. S.S		4	13
9	505 73 11-01	LK WASH 1/2 SPLIT SS		4	13
10	541 20 48-36	NUT		4	13
11	541 40 36-32	SCREW		4	13
12	505 57 32-04	SHAFT		1	13
13	510 27 22-02	SHAFT		1	

**SOFF CUT GX4200  
FRONT WHEEL CARRIAGE**



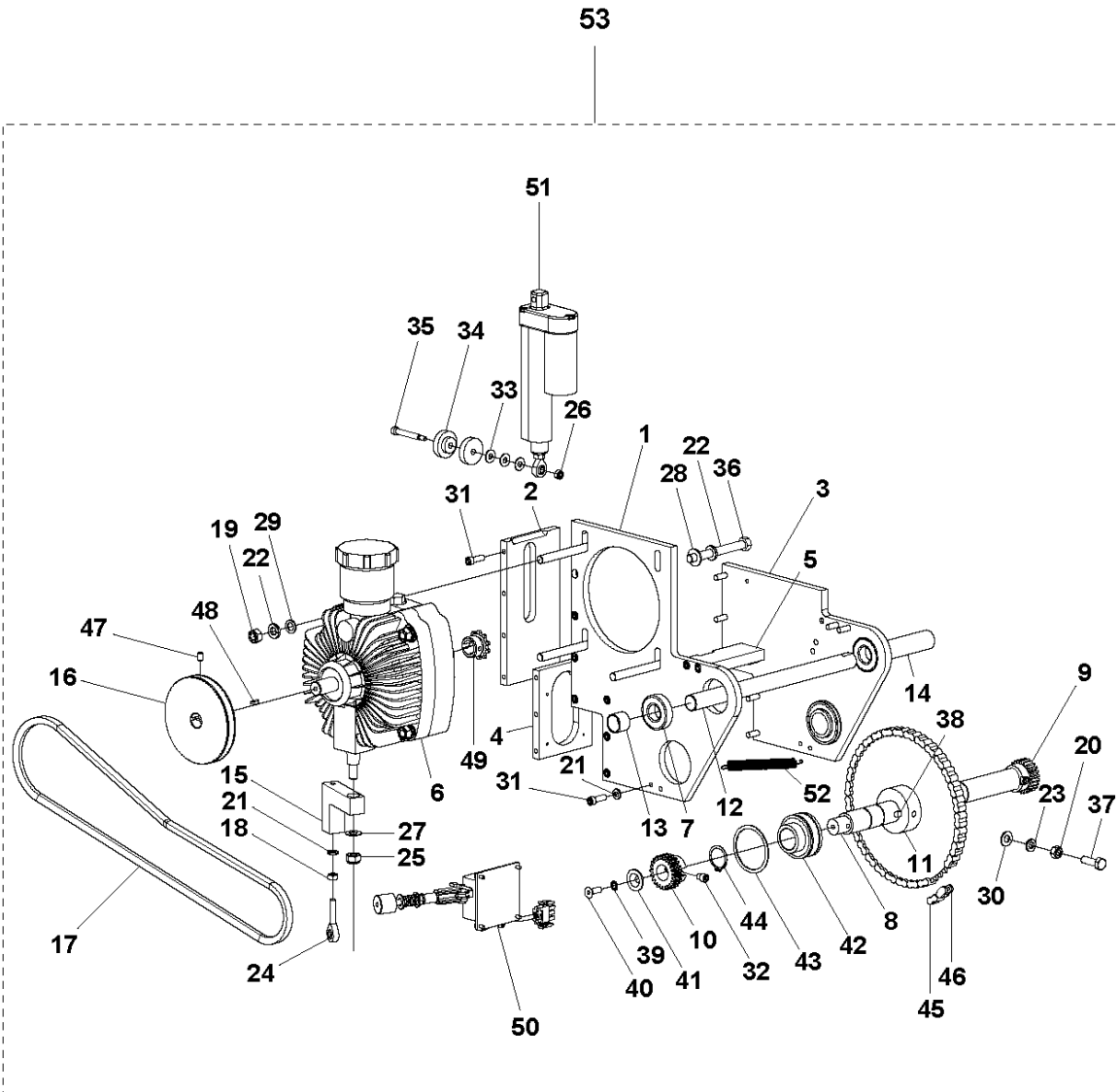
21

## FRONT WHEEL CARRIAGE

SOFF CUT 4200, 2016-12

Ref	Part No	Description	Remark	QTY	KIT
1	505 75 49-01	FRONT WHEEL AXLE SUP		1	21
2	505 75 51-01	FRONT WHEEL BRACKET		1	21
3	505 75 48-01	FRONT WHEEL AXLE SUP		1	21
4	505 75 50-01	FRONT WHEEL BRACKET		3	21
5	505 70 51-01	BUSHING		2	21
6	505 76 40-01	AXLE		1	21
7	542 20 62-05	SNAP RING		1	21
8	505 76 41-01	FRONT WHEEL SHAFT SPACER 1 1/8		1	21
9	539 99 07-17	NUT		1	21
10	505 83 35-01	SHSB 3/8 X 1 1/2		1	21
11	505 75 69-01	ACTUATOR		1	21
12	505 73 01-01	FHS 5/16-18-1 S.S.		2	21
13	505 68 63-01	5/16 COUNTER SUNK LOCKWASHER		16	21
14	505 77 33-01	FHS SS 5/16-18 X 1 1/4		16	21
15	505 63 28-01	LK WASH 1/4 SPLIT SS		2	21
16	505 62 80-01	SHC 1/4-20-1 1/4 S.S.		2	21
17	505 63 19-01	JAM NUT 1/4-20 STAINLESS STEEL		2	21
18	505 86 91-01	WHEEL ASSY		1	21
19	505 86 92-01	WHEEL ASSY		1	21
20	505 73 63-01	WHEEL		6	21
21	510 27 14-02	ASSEMBLY		1	

**J** SOFF CUT GX4200  
PUMP

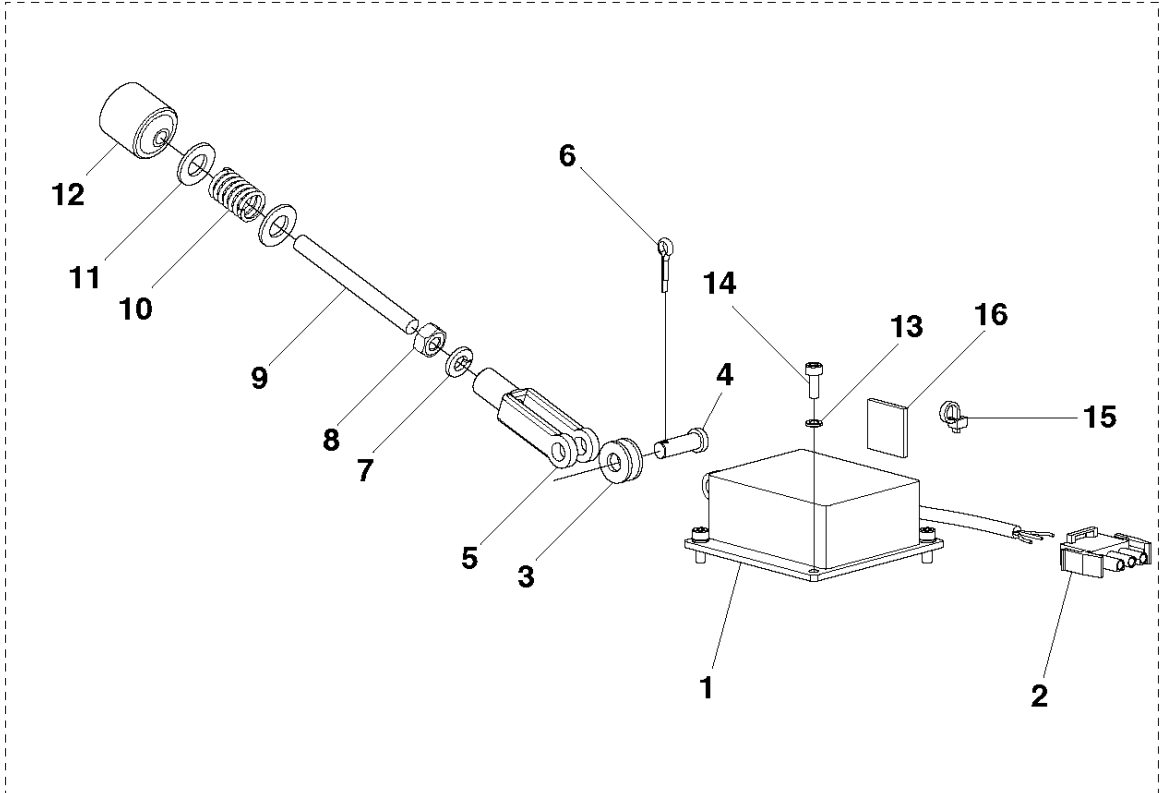


## HYDRAULIC PUMP - MOTOR

SOFF CUT 4200, 2016-12

Ref	Part No	Description	Remark	QTY KIT
1	505 75 65-01	PUMP SUPPORT PLATE RIGHT		1
2	505 75 66-01	PUMP BRACE & ACT. SUPPORT		1
3	505 60 76-01	PUMP SUPPORT PLATE LEFT		1
4	505 70 61-01	PUMP REAR BRACE PLATE		1
5	505 75 68-01	PUMP BRACE TOP		1
6	582382801	TBD		1
7	505 73 61-01	FRONT AXLE ASSY		2
8	505 76 47-01	DRIVE SHAFT		1
9	505 77 71-01	GEAR WHEEL		1
10	505 77 70-01	1624 SPUR GEAR(BOTH SAWS)/RIGH		1
11	505 73 94-01	SPROCKET		1
12	505 76 57-01	PUMP SUPPORT SHAFT		1
13	505 76 58-01	7/8 X .630 PUMP SPACER		1
14	505 76 56-01	PUMP SPACER 7/8 X 3.675		1
15	505 76 46-01	PUMP CONTROL ARM		1
16	587 93 53-01	PULLEY		1
17	505 77 75-01	PUMP		1
18	505 73 29-01	1/4-28 HEX JAM NUT ZINC		1
19	539 99 01-30	NUT		4
20	505 73 24-01	NUT		1
21	505 63 28-01	LK WASH 1/4 SPLIT SS		3
22	505 73 10-01	LK WASH 3/8 SPLIT SS		8
23	505 63 30-01	LK WASH 5/16 SPLIT SS		1
24	505 74 34-01	ROD END 1/4" PLATED		1
25	539 97 69-79	NUT		1
26	505 63 04-01	NYLOC NUT #10-24 CAD.PL.		1
27	505 63 42-01	FLAT WSHR.750 X .375 X .031 SS		1
28	539 99 05-17	WASHER		4
29	505 72 40-01	FLAT WASH 3/8 AN 960 WASHERS U		4
30	539 99 01-88	WASHER		1
31	505 62 78-01	SHC 1/4-20-3/4 S.S.		19
32	505 77 27-01	1/4-20 X 1/4 SHCS SS		4
33	505 63 44-01	WASHER		3
34	505 75 67-01	ACTUATOR		2
35	505 72 60-01	SHSB 1/4 X 1 1/2 BLK STL		1
36	539 30 08-70	NLA HCS 3/8-16 X 3-1/2 GR 5 ZN		4
37	539 99 02-09	BOLT		1
38	510 31 81-01	KEY		1
39	505 68 62-01	1/4 COUNTERSUNK EXT LOCKWASHER		2
40	505 62 86-01	FHS 1/4-20-3/4 S.S.		2
41	505 76 48-01	SS WASHER FOR DRIVE SHAFT		2
42	505 68 94-01	PUMP/DRIVE SHAFT BEARING		2
43	505 69 02-01	SNAP RING		2
44	505 73 34-01	SNAP RING		2
45	505 86 97-01	GX3000 DRIVE CHAIN 30"		1
46	505 73 96-01	CONNECTING LINK #35		1
47	505 73 38-01	SET SCREW 1/4-20-3/8 KNURLED P		2
48	539 30 07-49	KEY		2
49	587 65 99-01	SPROCKET		1
50	505 84 51-01	SPEED CONTROL SYSTEM		1
51	505 84 71-01	ACTUATOR		1
52	505 77 52-01	5460 SPRG FOR PUMP TENSIONER		1
53	510 27 19-02	ASSEMBLY		1

**K** SOFF CUT GX4200  
SPEED CONTROL ACTUATOR

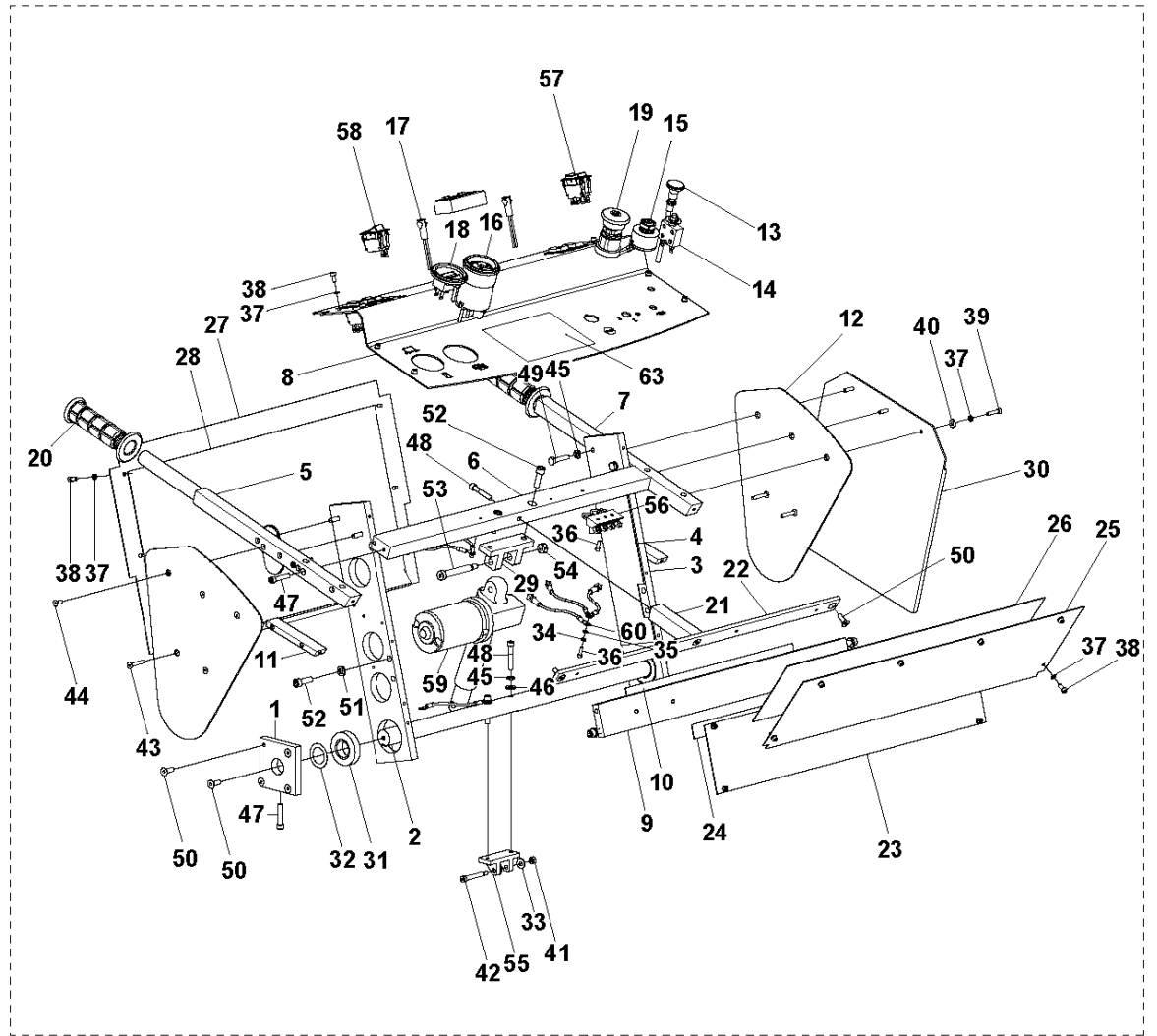


## SPEED CONTROL

SOFF CUT 4200, 2016-12

Ref	Part No	Description	Remark	QTY	KIT
1	505 84 51-01	SPEED CONTROL SYSTEM		1	17
2	505 75 16-01	CONN 3 PIN PLUG		1	17
3	505 63 20-01	WASHER		2	17
4	505 74 35-01	CLEVIS		1	17
5	505 74 33-01	YOKE END FEM.THLD		1	17
6	505 73 97-01	COTTER PIN		1	17
7	505 63 28-01	LK WASH 1/4 SPLIT SS		1	17
8	505 73 29-01	1/4-28 HEX JAM NUT ZINC		1	17
9	505 77 08-01	1/4-28 X 2 1/2 STUD-SPD CTRL		1	17
10	505 77 51-01	#510 SPRG FOR STUD/SPD CTRL		1	17
11	505 72 55-01	FLAT WASH 1/4 PFC9 SAE ZINC		2	17
12	505 75 52-01	ADJUSTER		1	17
13	505 63 24-01	LK WASH #6 SPLIT S.S.		4	17
14	505 62 76-01	SHC 6-32 X 3/8 S.S.		4	17
15	510 33 17-01	TIE WRAP		1	17
16	510 33 16-02	TIE WRAP		1	17
17	505 84 51-01	SPEED CONTROL SYSTEM		1	

**L** SOFF CUT GX4200  
CONTROL PANEL



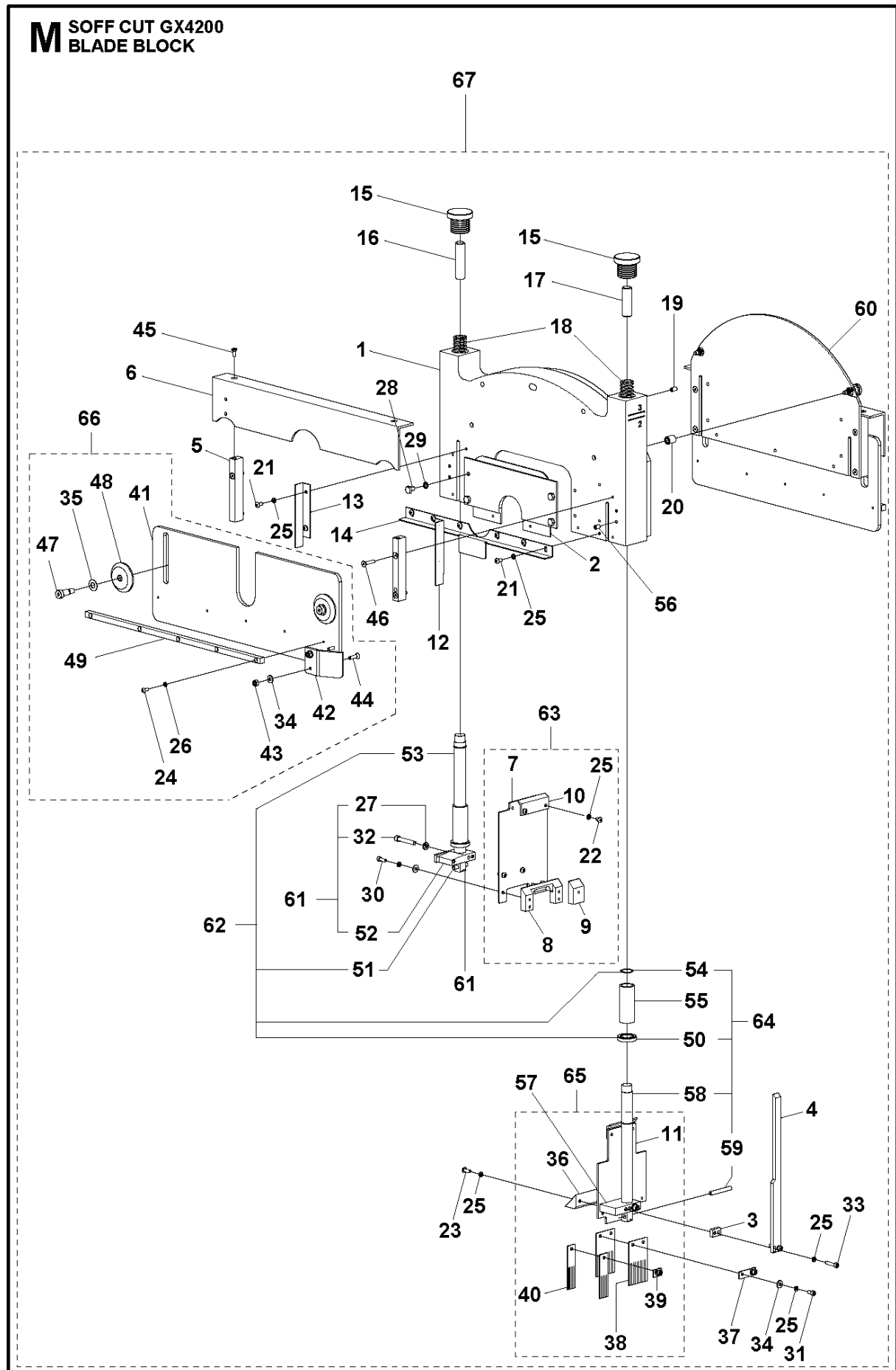
61



## CONTROL PANEL

SOFF CUT 4200, 2016-12

Ref	Part No	Description	Remark	QTY	KIT
1	505 71 21-01	PLATE SUPPORT. HANDLE SHAFT		2	61
2	505 76 34-01	SHAFT HANDLE		1	61
3	505 71 18-01	PLATE SUPPORT HANDLE		2	61
4	505 72 09-01	RUBBER FOR HANDLES(1562)		2	61
5	505 75 95-01	HANDLE BAR		1	61
6	505 75 86-01	CROSS BAR KEY DASH/A		1	61
7	505 75 94-01	HANDLE BAR		1	61
8	505 79 35-01	CONTROL PANEL		1	61
9	505 75 87-01	BOTTOM SUPPORT BRACE		1	61
10	505 76 98-01	RUBBER FOR 3535-01 14"1/8L 2"W		1	61
11	505 70 80-01	SPACER		2	61
12	505 71 19-01	SIDE COVER HANDLE (INTERCHANGE		2	61
13	505 69 50-01	CHOKE		1	61
14	505 60 51-01	25 AMP. CIRCUIT BREAKER		1	61
15	505 79 76-01	KEY SWITCH		1	61
16	505 75 02-02	TACHOMETER		1	61
17	505 84 60-01	G2/G1/GX3000 LED LIGHT		2	61
18	542 16 64-38	VOLTMETER GAUGE/(FS702T)		1	61
19	505 70 44-01	STOP SWITCH		1	61
20	505 60 11-01	HANDLE GRIP		2	61
21	505 70 83-01	SUPPORT BAR (KEY DASH PANEL)		1	61
22	505 75 85-01	CROSS BAR (KEY DASH)		1	61
23	505 75 79-01	COVER		1	61
24	505 76 97-01	RUBBER FOR 3526 20 7/8L 7/8W		1	61
25	505 75 77-01	COVER		1	61
26	505 76 96-01	RUBBER FOR 3524		1	61
27	505 75 76-01	COVER		1	61
28	505 76 95-01	RUBBER FOR 3523		1	61
29	505 75 70-01	ACTUATOR		1	61
30	505 72 15-01	JOINT		1	61
31	505 73 63-01	WHEEL		2	61
32	505 73 69-01	SHIM S.S. HANDLE		1	61
33	505 63 44-01	WASHER		2	61
34	505 63 27-01	LK WASH #8 SPLIT S.S.		2	61
35	505 73 17-01	LK WASH #8 EXT TOOTH		2	61
36	505 62 82-01	SHC 8-32 X 1/2 S.S.		3	61
37	505 63 31-01	LK WASH #10 SPLIT SS		27	61
38	505 62 77-01	SHC 10-32-3/8 S.S. NF		24	61
39	505 77 28-01	SHC 10-32 X 7/8 SS		3	61
40	505 63 53-01	FLAT WASH #10 S.S		3	61
41	505 63 04-01	NYLOC NUT #10-24 CAD.PL.		1	61
42	505 72 60-01	SHSB 1/4 X 1 1/2 BLK STL		1	61
43	505 72 98-01	FHS 10-24-1 1/4 S.S.		4	61
44	505 72 99-01	FHS 10-32-1/2 S.S.		3	61
45	505 63 28-01	LK WASH 1/4 SPLIT SS		6	61
46	505 63 20-01	WASHER		2	61
47	505 62 80-01	SHC 1/4-20-1 1/4 S.S.		6	61
48	505 72 88-01	SHC 1/4-20-1 1/2 S.S.		3	61
49	505 72 74-01	HEX BOLT 1/4-20 X 1 1/4 GR. 8		4	61
50	505 62 86-01	FHS 1/4-20-3/4 S.S.		13	61
51	505 63 30-01	LK WASH 5/16 SPLIT SS		4	61
52	505 77 25-01	5/16-18 X 1 SHC BLACK		6	61
53	505 62 72-01	SHSH BOLT 3/8 X 2 1/4" (WHEELS		1	61
54	539 99 07-17	NUT		1	61
55	505 70 66-01	ACT. BRKT AGL E /HDLE/MN FRAME		1	61
56	505 75 27-01	TERMINAL BLOCK FOR G2000		1	61
57	582 51 85-01	SWITCH		5	61
58	582518601	TBD		1	61
59	505 84 49-02	KIT		1	61
60	575 44 66-02	KIT		5	61
61	510 27 23-02	ASSEMBLY		1	



## BLADE BLOCK

SOFF CUT 4200, 2016-12

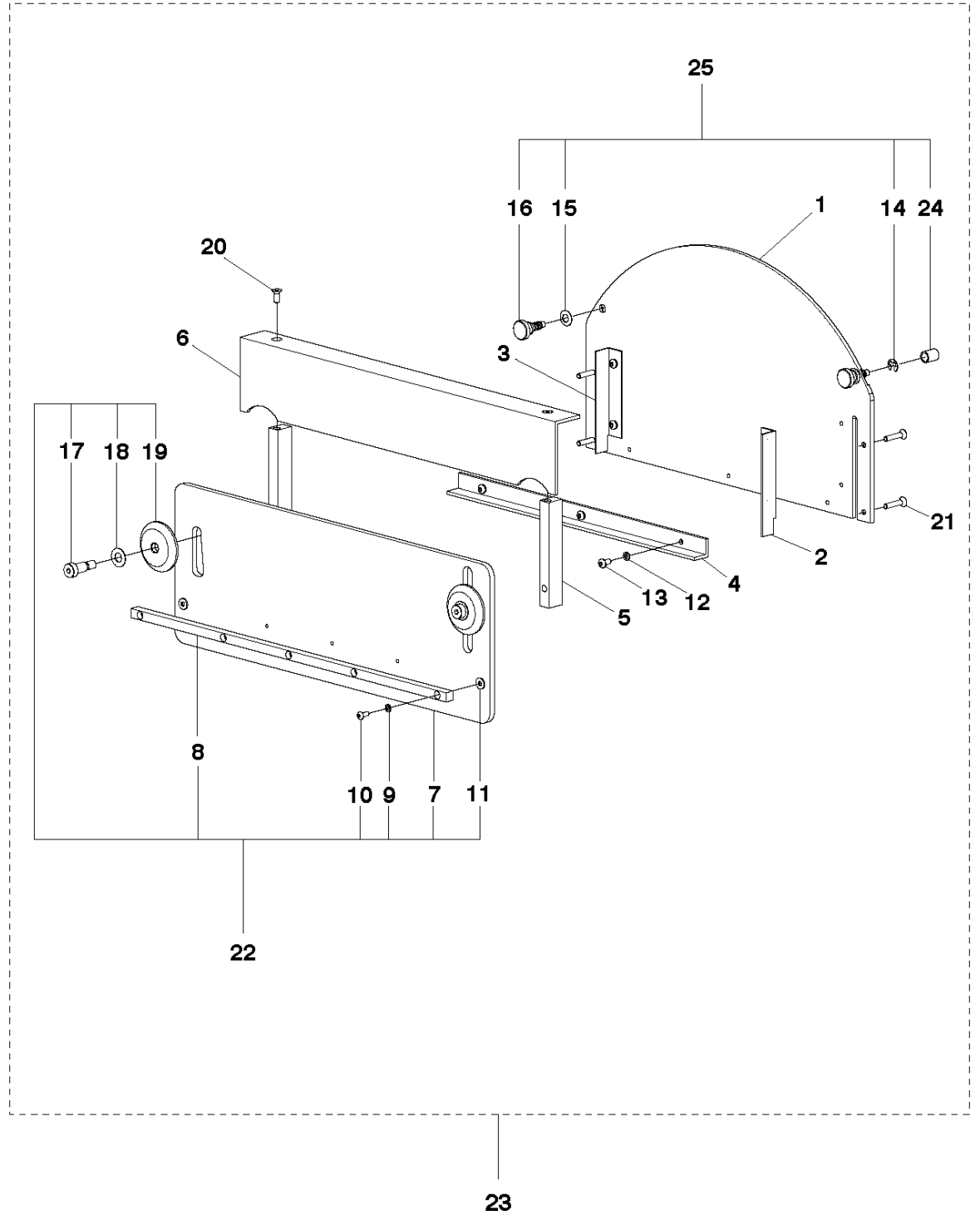
Ref	Part No	Description	Remark	QTY	KIT
1	505 78 82-01	BLADE		1	67
2	505 78 98-01	BELT		1	67
3	505 76 07-01	DEPTH POINTER SPACER		1	67
4	505 76 06-01	DEPTH POINTER		1	67
5	505 78 94-01	BLOCK DIVERTER MTG INNER		2	67
6	505 76 23-01	AGLE BRKT BLD BLK INNER		1	67
7	505 78 90-01	PLATE		1	63, 67
8	505 71 03-01	BLOCK		1	63, 67
9	505 78 95-01	BRACKET		1	63, 67
10	505 76 20-01	STEEL		2	63, 67
11	505 78 88-01	REAR DIVERTOR PLATE/GX4000		1	65, 67
12	505 78 96-01	ANGLE DIVERTER-LEFT/BK BLD BLK		1	67
13	505 78 97-01	ANGLE DIVERTER-RIGHT/BK BLD BL		1	67
14	505 79 50-01	ANGLE BRACKET		1	67
15	505 75 98-01	KNOB BLADE BLOCK		2	67
16	505 78 87-01	REAR PLSTC ROD/BLD BLK GX4000		1	67
17	505 78 86-01	FRNT PLSTC ROD/BLD BLK GX4000		1	67
18	505 79 07-01	BLADE		2	67
19	505 63 00-01	FULL DOG SET SCREW S.S. 1/4-20		2	67
20	505 74 83-01	INSERT		2	67
21	505 62 91-01	BHS 10-32-3/8 S.S.		10	67
22	505 62 95-01	BHS 10-32-1/4 S.S.		4	63, 67
23	505 62 98-01	BHS 10-32-1/2 S.S.		4	67
24	505 62 93-01	BHS 8-32-3/8 S.S.		5	66, 67
25	505 63 31-01	LK WASH #10 SPLIT SS		26	63, 67
26	505 63 27-01	LK WASH #8 SPLIT S.S.		5	66, 67
27	505 63 28-01	LK WASH 1/4 SPLIT SS		2	61, 62, 67
28	505 62 73-01	HEX BOLT 1/4-20-3/8 S.S.		4	67
29	505 73 18-01	LK WASH 1/4 EXT TOOTH		4	67
30	505 72 96-01	SHC 10-32 X 1/2 S.S. CBL MTS		3	67
31	505 62 77-01	SHC 10-32-3/8 S.S. NF		3	67
32	505 72 87-01	SHC 1/4-20-1 1/2 BLACK		2	61, 62, 67
33	505 77 28-01	SHC 10-32 X 7/8 SS		2	67
34	505 63 53-01	FLAT WASH #10 S.S		8	66, 67
35	505 63 42-01	FLAT WSHR.750 X .375 X .031 SS		2	66, 67
36	505 78 89-01	REAR AXLE		1	65, 67
37	505 76 89-01	MTG. BAR FOR RUBBER FLAPS BIG		1	67
38	505 76 90-01	LARGE DUST FLAP		2	65, 67
39	505 76 91-01	MTG. BAR FOR RUBBER FLAPS SML		1	65, 67
40	505 76 92-01	SMALL DUST FLAP		2	65, 67
41	505 78 92-01	INNER LEXAN SHIELD		1	66, 67
42	505 76 15-01	SHIELD		1	66, 67
43	505 63 04-01	NYLOC NUT #10-24 CAD.PL.		2	66, 67
44	505 77 29-01	FHC 10-24 X 3/4 SS		2	66, 67
45	505 72 99-01	FHS 10-32-1/2 S.S.		2	67
46	505 73 00-01	SCREW		4	67
47	505 62 71-01	SHSH BOLT 3/8 X 5/8 BLK STL		2	66, 67
48	505 76 17-01	WASHER		2	66, 67
49	505 78 99-01	REAR AXLE		1	66, 67
50	505 73 80-01	SEAL		2	62, 64, 67
51	505 77 40-01	PLATE		1	62, 67
52	505 76 08-01	FRONT AXLE ASSY		1	61, 67
53	505 78 85-01	ROD		1	62, 67
54	505 74 84-01	SPIRAL RETAINING RING		2	62, 64, 67
55	505 66 78-01	SHAFT		2	67
56	505 73 41-01	ST.SCRW BLK CONE PT 1/4-20X1/2		4	67
57	505 76 02-01	REAR AXLE		1	67
58	505 78 84-01	REAR AXLE		1	64, 67
59	587 91 82-01	PIN		1	67
60	505 86 09-01	BLADE		1	67
61	505 88 47-01	GX3000 FRONT ROD CLAMP/ANGLED		1	67

BLADE BLOCK

SOFF CUT 4200, 2016-12

Ref	Part No	Description	Remark	QTY	KIT
62	505 88 81-01	FRONT AXLE ASSY		1	67
63	505 88 84-01	PLATE		1	67
64	505 88 80-01	REAR AXLE		1	67
65	505 88 83-01	REAR AXLE		1	67
66	505 88 88-01	INNER PLATE		1	67
67	501480201	TBD		1	

**N** SOFF CUT GX4200  
BLADE BLOCK COVER

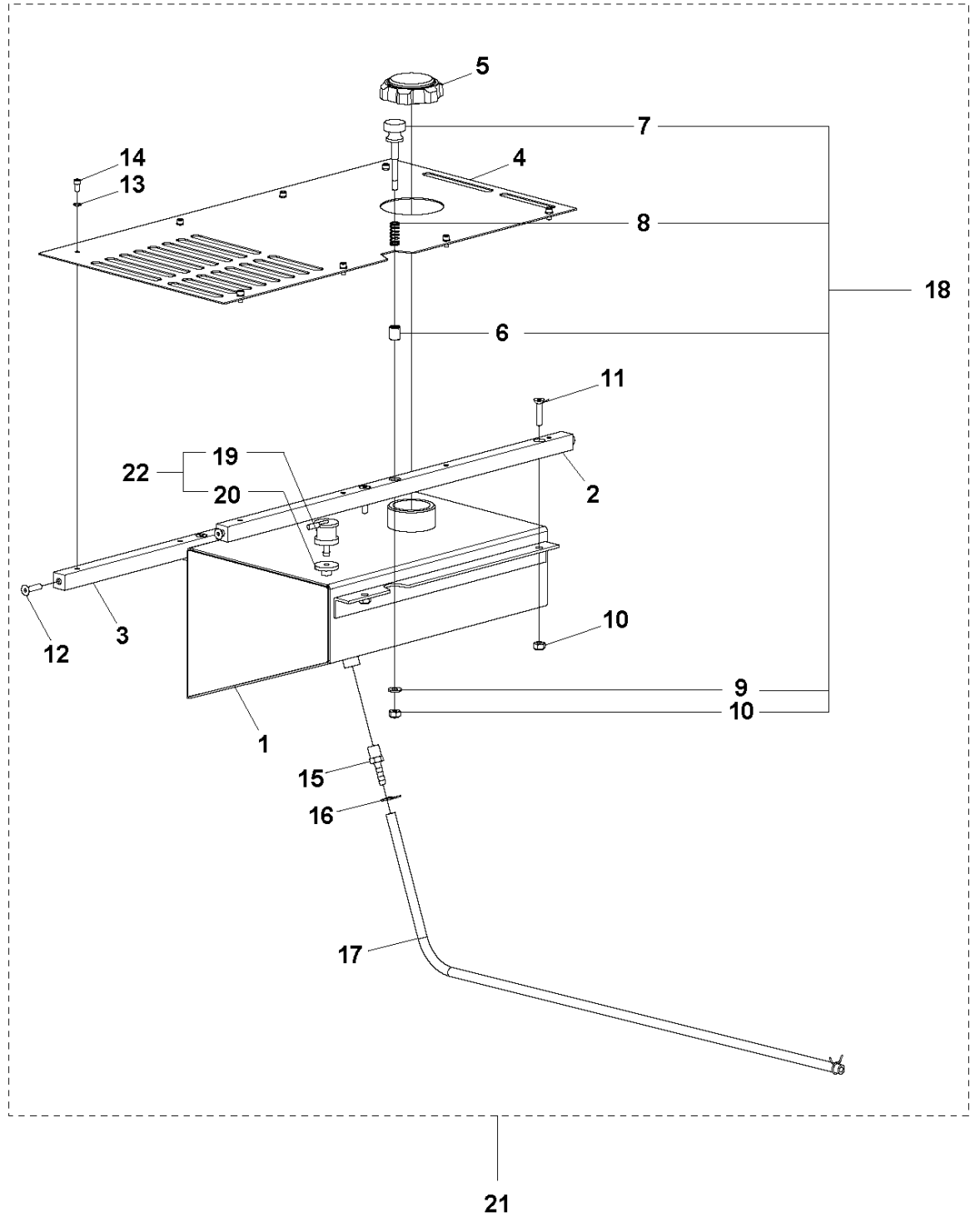


## BLADE BLOCK COVER

SOFF CUT 4200, 2016-12

Ref	Part No	Description	Remark	QTY	KIT
1	505 78 83-01	BLADE		1	23
2	505 79 04-01	ANGLE/DIVERTER/BLD COVER RIGHT		1	23
3	505 79 05-01	ANGLE/DIVERTER/BLD COVER LEFT		1	23
4	505 76 29-01	OUTTER BLADE COVER BOTTOM BRAC		1	23
5	505 78 93-01	BLOCK DIVERTER MTG OUTTER		2	23
6	505 76 22-01	AGLE BRKT BLD BLK OUTTER		1	23
7	505 78 91-01	OUTTER LEXAN SHIELD		1	22, 23
8	505 76 68-01	STIFFENER		1	22, 23
9	505 63 27-01	LK WASH #8 SPLIT S.S.		5	22, 23
10	505 62 93-01	BHS 8-32-3/8 S.S.		5	22, 23
11	505 82 26-01	FLAT WASH. #8 SAE 18-8 SS		2	22, 23
12	505 63 31-01	LK WASH #10 SPLIT SS		7	23
13	505 62 91-01	BHS 10-32-3/8 S.S.		7	23
14	505 53 65-01	E-CLIP		2	23, 25
15	505 53 64-01	WASHER		2	23, 25
16	505 53 63-01	KNOB		2	23, 25
17	505 62 71-01	SHSH BOLT 3/8 X 5/8 BLK STL		2	22, 23
18	505 63 42-01	FLAT WSHR.750 X .375 X .031 SS		2	22, 23
19	505 76 17-01	WASHER		2	22, 23
20	505 72 99-01	FHS 10-32-1/2 S.S.		2	23
21	505 73 00-01	SCREW		4	23
22	505 88 86-01	PLATE		1	23
23	505 86 09-01	BLADE		1	
24	505 74 83-01	INSERT		1	25
25	505 48 29-01	KNOB		1	23

**SOFF CUT GX4200**  
**FUEL TANK**



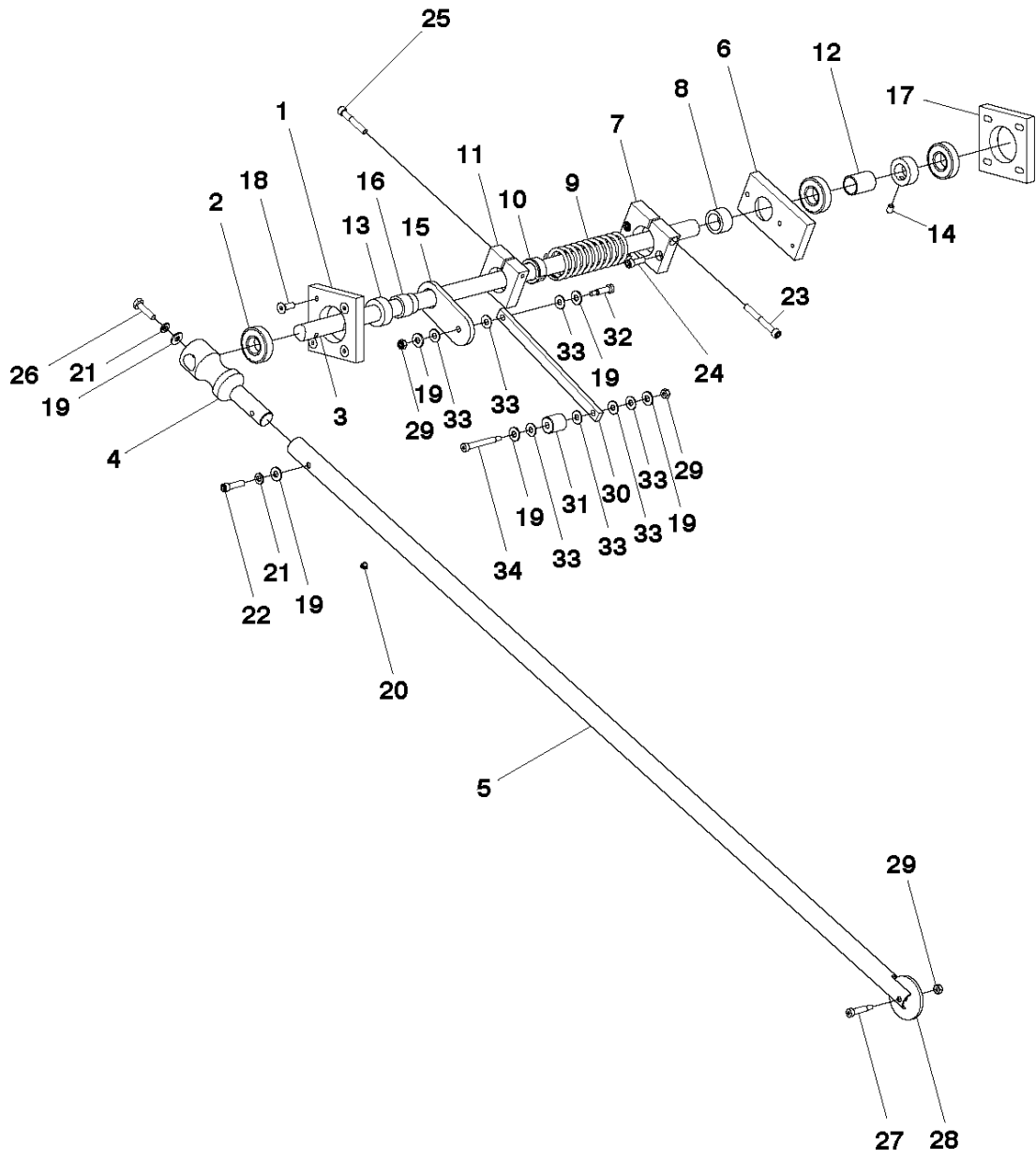
## FUEL TANK

SOFF CUT 4200, 2016-12

Ref	Part No	Description	Remark	QTY KIT
1	585507001	TBD		1
2	505 79 19-01	SUPPORT BRACE HOOD KNOB		1
3	505 79 20-01	HOOD		1
4	577608502	TBD		1
5	505 79 84-01	GAS SPRING		1
6	505 74 83-01	INSERT		1
7	505 76 72-01	HOOD		1
8	505 73 71-01	#520 SPRG THRD KNB/11/21/97		9
9	505 63 20-01	WASHER		1
10	539 97 69-78	NUT		5
11	505 77 34-01	1/4-20 X 1 1/4 FLAT SOCKET SS		4
12	505 62 87-01	FHS 1/4-20-1 S.S.		4
13	505 63 31-01	LK WASH #10 SPLIT SS		8
14	505 62 77-01	SHC 10-32-3/8 S.S. NF		8
15	541 20 47-99	FITTING		1
16	505 77 63-01	7/16 SPRING HOSE CLAMP		2
17	523 05 08-01	HOSE		1
18	505 88 66-01	G2000.G1000.GX3000-HOOD KNOB		1
19	576 61 81-01	VALVE		1
20	576 61 82-01	GROMMET		1
21	510 27 15-02	ASSEMBLY		1

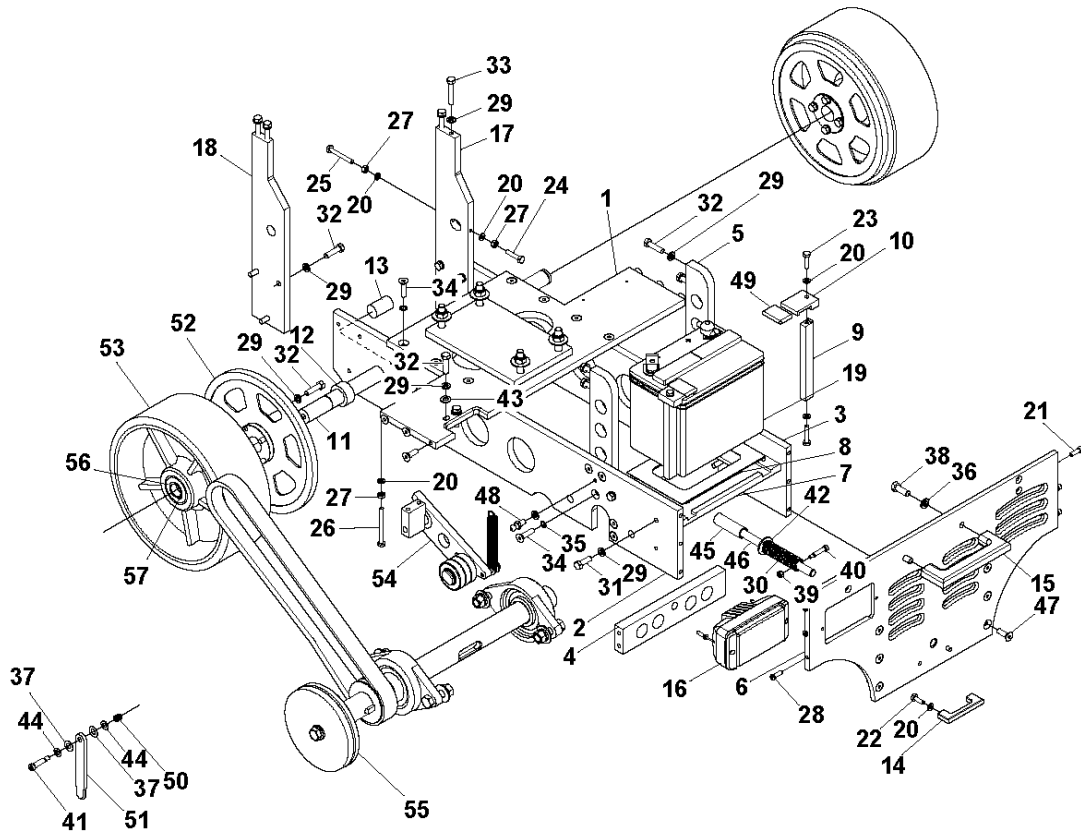


**P** SOFF CUT GX4200  
GUIDE ARM



Ref	Part No	Description	Remark	QTY KIT
1	505 71 37-01	PLATE MOUNTING GUIDE ARM		1
2	505 73 61-01	FRONT AXLE ASSY		3
3	505 76 39-01	SHAFT GUIDE ARM		1
4	505 76 99-01	GUIDE		1
5	505 76 38-01	GUIDE		1
6	505 71 71-01	SPRING		1
7	505 71 72-01	BLOCK		1
8	505 71 75-01	BUSHING		1
9	505 77 49-01	GUIDE		1
10	505 71 74-01	BUSHING		1
11	505 71 73-01	BLOCK		1
12	505 71 62-01	BUSHING		1
13	505 71 84-01	SHAFT. COLLAR 3/4"		2
14	542 02 05-41	SHSS,.25-20 X.375 CUP HK/CONCR		2
15	505 71 91-01	PLATE.HOOD SUPPORT		1
16	505 71 93-01	BUSHING DELRIN.HOOD SUPPORT		1
17	505 71 38-01	PLATE MOUNT/GUIDE ARM ADJ.		1
18	505 62 86-01	FHS 1/4-20-3/4 S.S.		4
19	505 63 20-01	WASHER		6
20	505 77 57-01	RUBBER BUMPER FOR GUIDE		1
21	505 63 28-01	LK WASH 1/4 SPLIT SS		2
22	505 62 79-01	SHC 1/4-20-1 S.S.		1
23	505 72 89-01	SHC 1/4-20-2 S.S.		1
24	505 62 78-01	SHC 1/4-20-3/4 S.S.		2
25	505 72 88-01	SHC 1/4-20-1 1/2 S.S.		1
26	505 72 73-01	HEX BOLT 1/4-20-1 STAINLESS ST		1
27	505 77 17-01	SHSB 1/4 X 7/8		1
28	505 61 42-01	DISC		1
29	505 63 04-01	NYLOC NUT #10-24 CAD.PL.		3
30	505 76 55-01	THROTTLE EXTENSION		1
31	505 76 70-01	HOOD STOP SPACER		1
32	505 72 58-01	SHSB 1/4 X 3/4 BLK STL		1
33	505 63 44-01	WASHER		7
34	505 77 16-01	SHSB 1/4 X 1 3/4		1

**Q** SOFF CUT GX4200  
MAIN FRAME

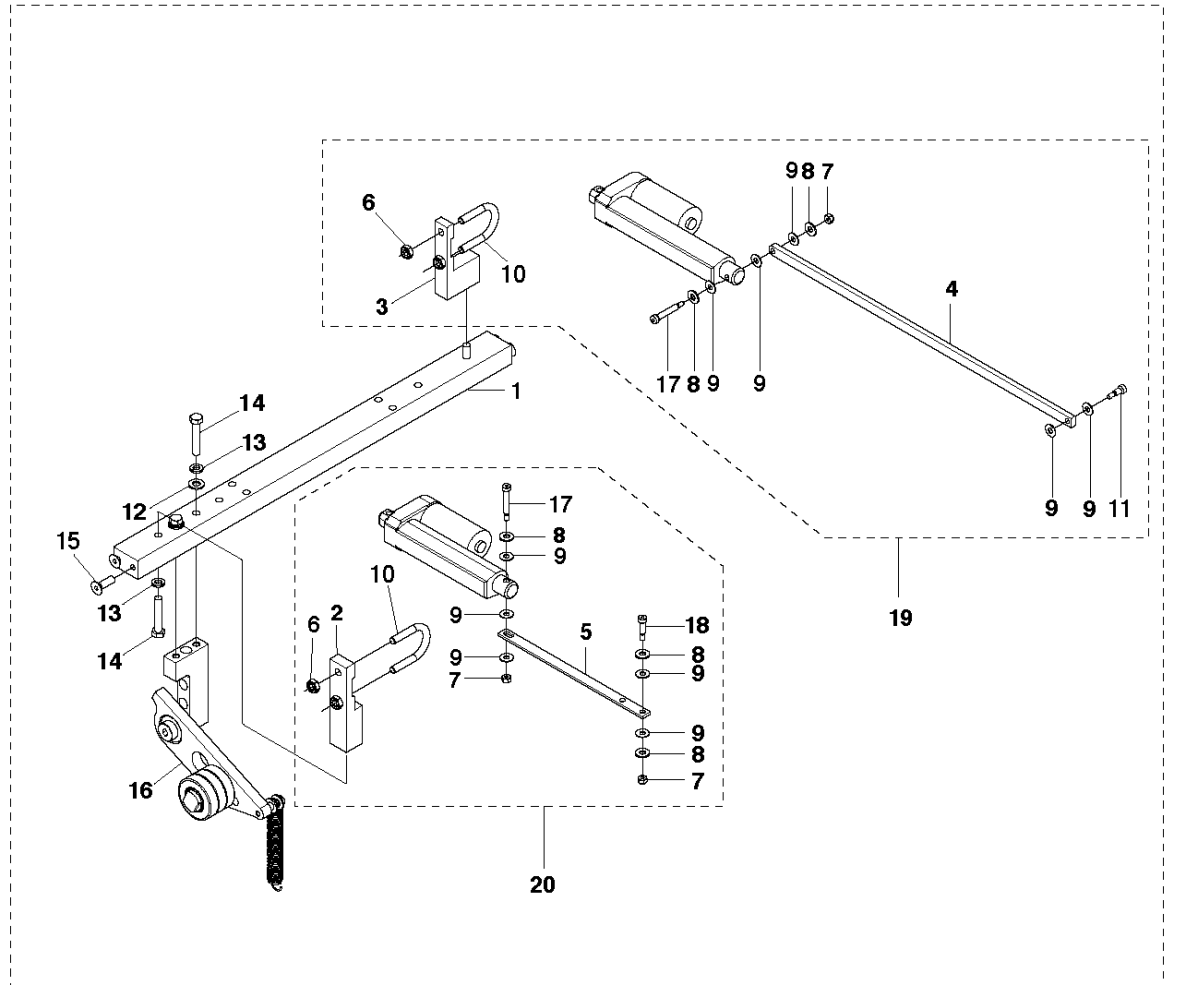


## MAINFRAME

SOFF CUT 4200, 2016-12

Ref	Part No	Description	Remark	QTY KIT
1	505 79 14-01	BOTTOM PLATE		1
2	505 75 56-01	SIDE FRAME RIGHT		1
3	505 75 55-01	SIDE FRAME LEFT		1
4	505 75 72-01	GUIDE BAR		1
5	505 75 59-01	FRONT WHEEL SUPPORT		2
6	505 75 58-01	FRONT PLATE		1
7	505 76 42-01	BATTERY PLATE		1
8	505 76 93-01	BATTERY PLATE RUBBER		1
9	505 76 65-01	BATTERY ARM		2
10	505 71 81-01	BLOCK.BATTERY G2000 & GS1000		2
11	505 76 50-01	REAR AXLE		1
12	505 76 52-01	DELFIN REAR SHAFT/WHEELS/.690		2
13	505 76 51-01	BUSHING		1
14	505 71 42-01	GUARD ARBOR LOCK SHAFT		1
15	505 71 69-01	HANDLES		1
16	505 75 22-01	FRONT AXLE ASSY		1
17	505 75 53-01	PUMP SUPPORT ARM LEFT		1
18	505 75 54-01	PUMP SUPPORT ARM RIGHT		1
19	505 78 62-01	BATTERY		1
20	505 63 28-01	LK WASH 1/4 SPLIT SS		10
21	505 62 78-01	SHC 1/4-20-3/4 S.S.		3
22	505 62 75-01	HEX BOLT 1/4-20-3/4 S.S.		2
23	505 72 73-01	HEX BOLT 1/4-20-1 STAINLESS ST		2
24	505 72 83-01	HEX BOLT 1/4-20 X 1 1/4" ALL T		3
25	505 72 81-01	HEX BOLT 1/4-20-2 S.S. ALL THR		1
26	505 72 80-01	HEX BOLT 1/4-20-2 3/4 ALL THRD		2
27	505 63 19-01	JAM NUT 1/4-20 STAINLESS STEEL		4
28	505 66 72-01	GBHS 1/4-20-3/4 S.S.		3
29	505 63 30-01	LK WASH 5/16 SPLIT SS		29
30	505 73 72-01	SPRING		1
31	539 99 02-09	BOLT		4
32	505 72 84-01	HEX BOLT 5/16-18 X 1 1/4 GRADE		20
33	505 72 85-01	HEX BOLT 5/16-18 X 1 3/4 GRADE		4
34	505 77 33-01	FHS SS 5/16-18 X 1 1/4		18
35	505 68 63-01	5/16 COUNTER SUNK LOCKWASHER		18
36	505 73 10-01	LK WASH 3/8 SPLIT SS		2
37	505 63 45-01	FLAT WSHR .750X.379 X.031 DEL		2
38	505 83 31-01	HEX BOLT 3/8 - 16 X 1 S.S.		2
39	505 63 04-01	NYLOC NUT #10-24 CAD.PL.		1
40	505 72 59-01	SHSB 1/4 X 1 BLK STL		1
41	505 72 67-01	SHSB 5/16 X 1 BLK STL		1
42	505 73 14-01	FLAT WASH 1/2 X 1 1/4 O.D. S.S		1
43	539 99 01-88	WASHER		2
44	505 72 52-01	WASHER		2
45	505 76 44-01	ARBOR LOCK 3/4 X 2.35		1
46	505 76 43-01	ARBOR SHAFT		1
47	505 73 01-01	FHS 5/16-18-1 S.S.		12
48	505 73 82-01	BALL JOINT		1
49	505 74 70-01	BATTERY CLAMP COVERS(BLACK)(2)		2
50	505 63 60-01	SPRING		1
51	505 71 85-01	REAR AXLE		1
52	505 86 98-01	REAR AXLE		2
53	505 87 10-01	WHEEL ASSY		2
54	510 27 17-02	BLADE		1
55	510 27 22-02	SHAFT		1
56	505 73 63-01	WHEEL		4
57	542 20 62-05	SNAP RING		2

**R** SOFF CUT GX4200  
PUMP CROSS BAR

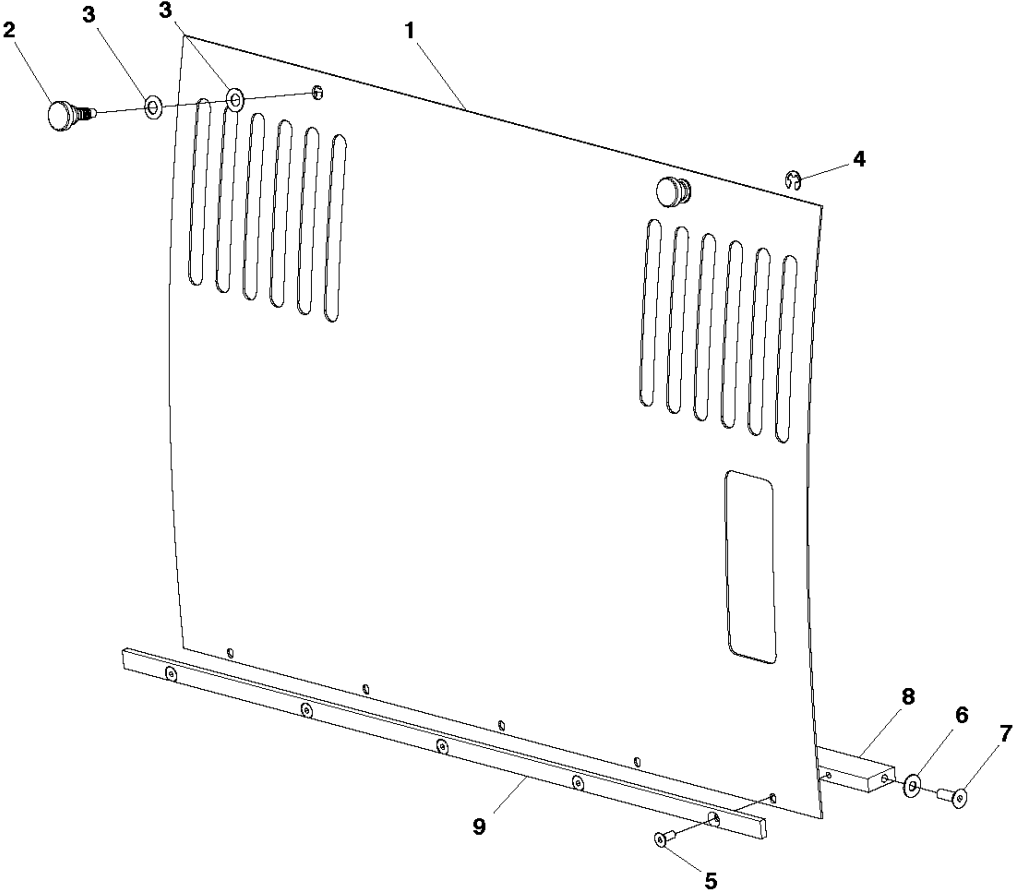


## PUMP CROSS BAR ASSEMBLY

SOFF CUT 4200, 2016-12

Ref	Part No	Description	Remark	QTY	KIT
1	505 79 21-01	CROSS BAR PUMP IDLER		1	21
2	505 61 10-01	ACTUATOR		1	20, 21
3	505 79 24-01	ACTUATOR		1	19, 21
4	505 61 11-01	ACTUATOR		1	19, 21
5	505 71 58-01	G2/X2500 THRTL E ARM W/SLOT		1	20, 21
6	505 63 17-01	NYLOC NUT 5/16-18 .265"HT.		4	19, 20, 21
7	505 63 04-01	NYLOC NUT #10-24 CAD.PL.		3	19, 20, 21
8	505 63 20-01	WASHER		5	19, 20, 21
9	505 63 44-01	WASHER		10	19, 20, 21
10	575 42 13-01	CLAMP		2	19, 20, 21
11	505 68 64-01	SHSB 1/4 X 3/8 BLK STL		1	19, 21
12	539 99 01-88	WASHER		2	21
13	505 63 30-01	LK WASH 5/16 SPLIT SS		4	21
14	505 72 85-01	HEX BOLT 5/16-18 X 1 3/4 GRADE		4	21
15	505 73 01-01	FHS 5/16-18-1 S.S.		4	21
16	510 27 18-02	ASSEMBLY		1	21
17	505 81 17-01	SHSB 1/4 X 1 1/4		2	19, 20, 21
18	505 72 57-01	SHSB 1/4 X 5/8 BLK STL		1	20, 21
19	505 84 80-01	ACTUATOR		1	21
20	505 84 79-01	ACTUATOR		1	21
21	510 27 28-02	ASSEMBLY		1	

**S** SOFF CUT GX4200  
REAR ACCESS ASSEMBLY



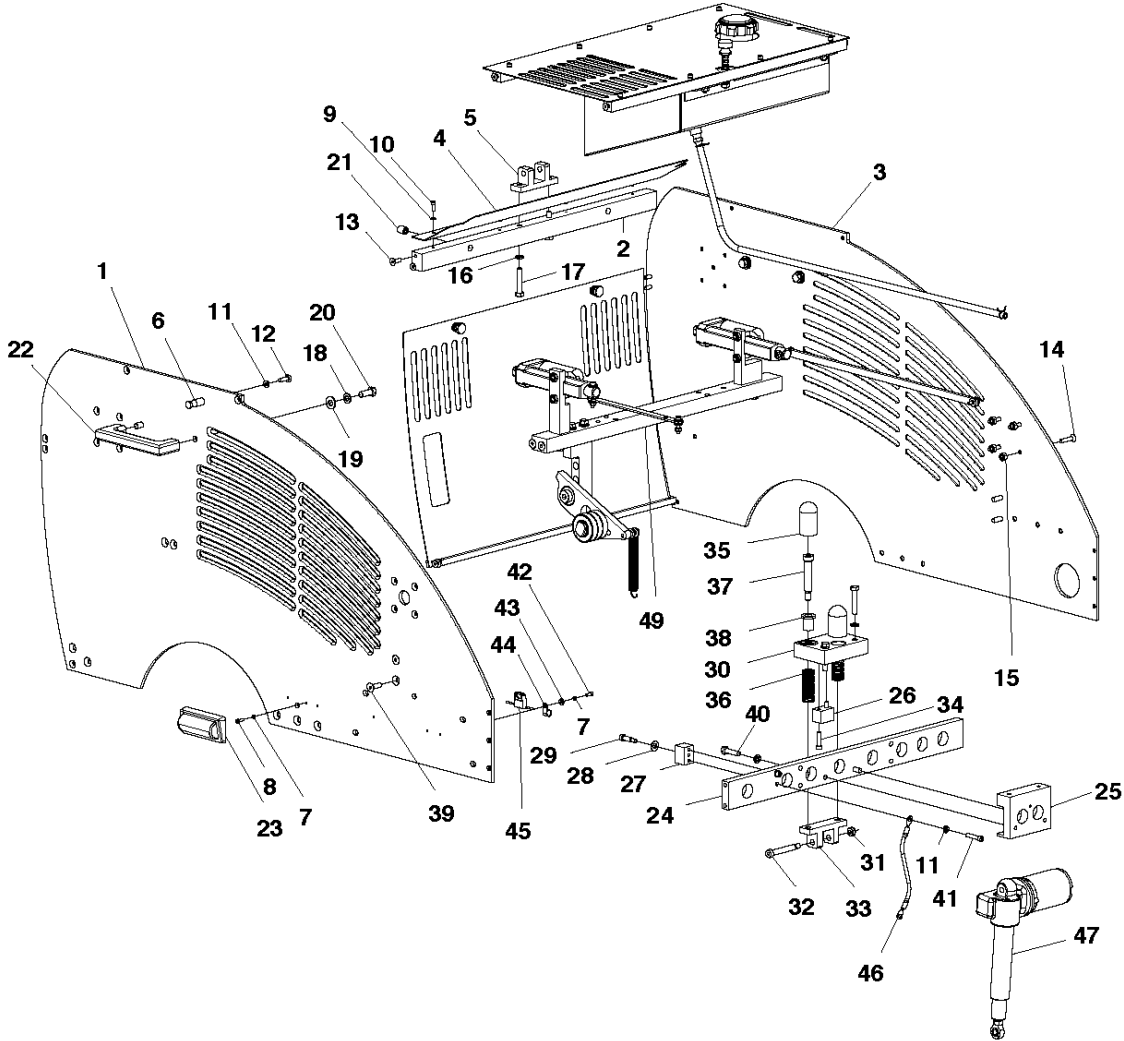
## REAR ACCESS ASSEMBLY

SOFF CUT 4200, 2016-12

Ref	Part No	Description	Remark	QTY KIT
1	505 79 16-01	REAR AXLE		1
2	505 53 63-01	KNOB		2
3	505 53 64-01	WASHER		4
4	505 53 65-01	E-CLIP		2
5	505 72 99-01	FHS 10-32-1/2 S.S.		5
6	505 63 44-01	WASHER		2
7	505 62 86-01	FHS 1/4-20-3/4 S.S.		2
8	505 76 61-01	CROSS BAR PIVOT REAR		1
9	505 76 71-01	BACK PANEL BRACE		1



**T** SOFF CUT GX4200  
PANEL

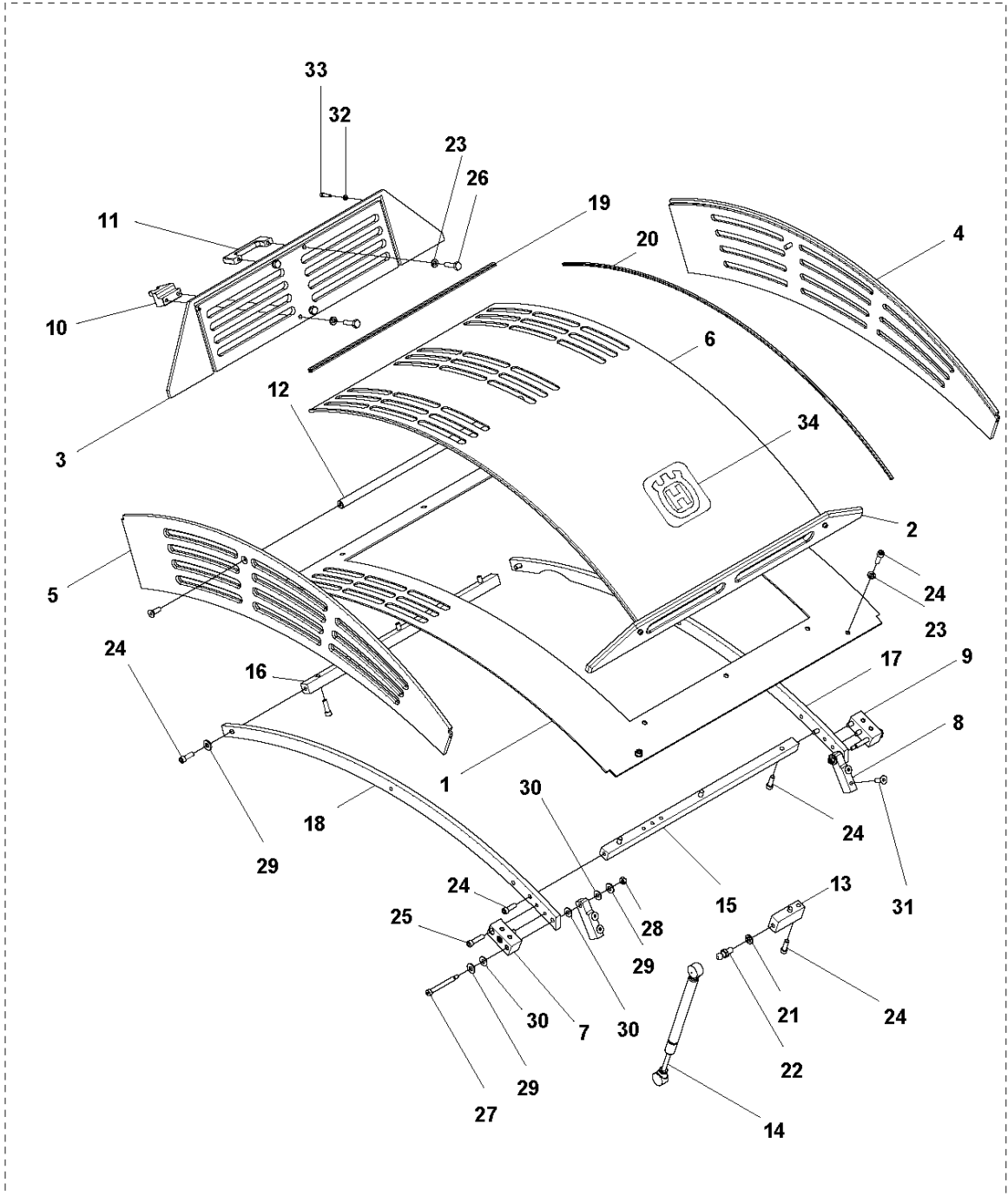


## PANEL ASSEMBLY

SOFF CUT 4200, 2016-12

Ref	Part No	Description	Remark	QTY KIT
1	505 79 26-01	RIGHT SIDE PLATE		1
2	505 75 88-01	CROSS BAR REAR ACCESS		1
3	505 79 25-01	LEFT SIDE PLATE		1
4	505 75 78-01	COVER		1
5	505 75 70-01	ACTUATOR		1
6	505 71 86-01	ROD G.A. STOP		1
7	505 63 27-01	LK WASH #8 SPLIT S.S.		6
8	505 62 82-01	SHC 8-32 X 1/2 S.S.		2
9	505 63 31-01	LK WASH #10 SPLIT SS		4
10	505 72 96-01	SHC 10-32 X 1/2 S.S. CBL MTS		4
11	505 63 28-01	LK WASH 1/4 SPLIT SS		3
12	505 62 75-01	HEX BOLT 1/4-20-3/4 S.S.		1
13	505 62 86-01	FHS 1/4-20-3/4 S.S.		4
14	505 77 34-01	1/4-20 X 1 1/4 FLAT SOCKET SS		4
15	539 97 69-78	NUT		4
16	505 63 30-01	LK WASH 5/16 SPLIT SS		6
17	505 72 85-01	HEX BOLT 5/16-18 X 1 3/4 GRADE		4
18	505 73 10-01	LK WASH 3/8 SPLIT SS		4
19	510 30 10-01	WASHER		4
20	505 83 31-01	HEX BOLT 3/8 - 16 X 1 S.S.		4
21	505 74 83-01	INSERT		2
22	505 71 69-01	HANDLES		2
23	505 48 69-02	LAMP		1
24	505 75 60-01	FRONT WHEEL SUPPORT		1
25	505 75 62-01	FRNT WHL SPRG BLK LOWER		1
26	505 75 63-01	FRNT WHL SPRG BLK STOPPER		1
27	505 68 35-01	BLD IDLER PULLEY SPRG BLK SPRT		1
28	539 99 01-88	WASHER		1
29	505 72 64-01	SHSB 5/16 X 3/4 BLK STL		1
30	505 75 61-01	FRNT WHL SPRG BLK UPPER		1
31	539 99 07-17	NUT		1
32	505 62 72-01	SHSH BOLT 3/8 X 2 1/4" (WHEELS		1
33	505 75 71-01	ACT. BRACKET LOWER FRONT SHOCK		1
34	505 62 79-01	SHC 1/4-20-1 S.S.		2
35	505 77 56-01	RUBBER CAP FOR RULON BUSHINGS		2
36	505 69 07-01	SPRING		2
37	523 05 96-11	BOLT		2
38	505 77 55-01	BUSHING		2
39	505 73 01-01	FHS 5/16-18-1 S.S.		4
40	505 72 84-01	HEX BOLT 5/16-18 X 1 1/4 GRADE		2
41	505 62 80-01	SHC 1/4-20-1 1/4 S.S.		2
42	505 62 81-01	SHC 8-32 X 3/8 S.S.		4
43	505 82 26-01	FLAT WASH. #8 SAE 18-8 SS		4
44	505 74 87-01	CBL CLAMP 3/8"		4
45	505 79 77-02	HARNESS		1
46	575 44 66-06	KIT		1
47	505 84 84-01	ACTUATOR		1

**U** SOFF CUT GX4200  
HOOD



## HOOD

SOFF CUT 4200, 2016-12

Ref	Part No	Description	Remark	QTY	KIT
1	505 76 37-01	HOOD. LOWER		1	
2	505 76 35-01	FRONT PLATE HOOD		1	35
3	505 76 36-01	REAR PLATE HOOD		1	35
4	505 71 22-01	SIDE PLATE HOOD (LEFT)		1	35
5	505 71 23-01	SIDE PLATE HOOD (RIGHT)		1	35
6	505 71 34-01	PANEL HOOD		1	35
7	505 71 31-01	BLOCK. HOOD MOUNTING (RIGHT)		1	35
8	505 76 75-01	HOOD		2	35
9	505 71 30-01	BLOCK. HOOD MOUNTING (LEFT)		1	35
10	505 71 95-01	BLOCK.HOOD LATCH		1	35
11	505 71 42-01	GUARD ARBOR LOCK SHAFT		1	35
12	505 71 32-01	ROD. HOOD SUPPORT		1	35
13	505 71 29-01	BLOCK. SUPPORT GAS SHOCK		1	35
14	505 73 81-01	GAS SHOCK (HOOD)		1	35
15	505 71 27-01	BAR. FRONT SUPPORT W/HOLES		1	35
16	505 71 28-01	BAR. REAR SUPPORT W/O HOLES		1	35
17	505 79 12-01	LEFT SIDE SUPPORT BAR HOOD		1	35
18	505 71 26-01	BAR. SIDE SUPPORT HOOD		1	35
19	505 73 92-01	GLAZING CHANNEL FOR HOOD 15/64		2	35
20	505 73 93-01	GLAZING CHANNEL FOR HOOD 9/64-		2	35
21	505 63 30-01	LK WASH 5/16 SPLIT SS		1	35
22	505 73 82-01	BALL JOINT		1	35
23	505 63 28-01	LK WASH 1/4 SPLIT SS		6	35
24	505 62 78-01	SHC 1/4-20-3/4 S.S.		14	35
25	505 62 79-01	SHC 1/4-20-1 S.S.		4	35
26	505 72 73-01	HEX BOLT 1/4-20-1 STAINLESS ST		4	35
27	505 77 12-01	SHSB 1/4 X 2		2	35
28	505 63 04-01	NYLOC NUT #10-24 CAD.PL.		2	35
29	505 63 20-01	WASHER		6	36
30	505 63 44-01	WASHER		6	37
31	505 62 86-01	FHS 1/4-20-3/4 S.S.		6	38
32	505 63 27-01	LK WASH #8 SPLIT S.S.		4	39
33	505 72 91-01	SHC 8-32-5/8 S.S.		4	40
34	542 19 07-35	DECAL		1	41
35	505 88 35-01	GX4000 HOOD ASSEMBLY		1	