

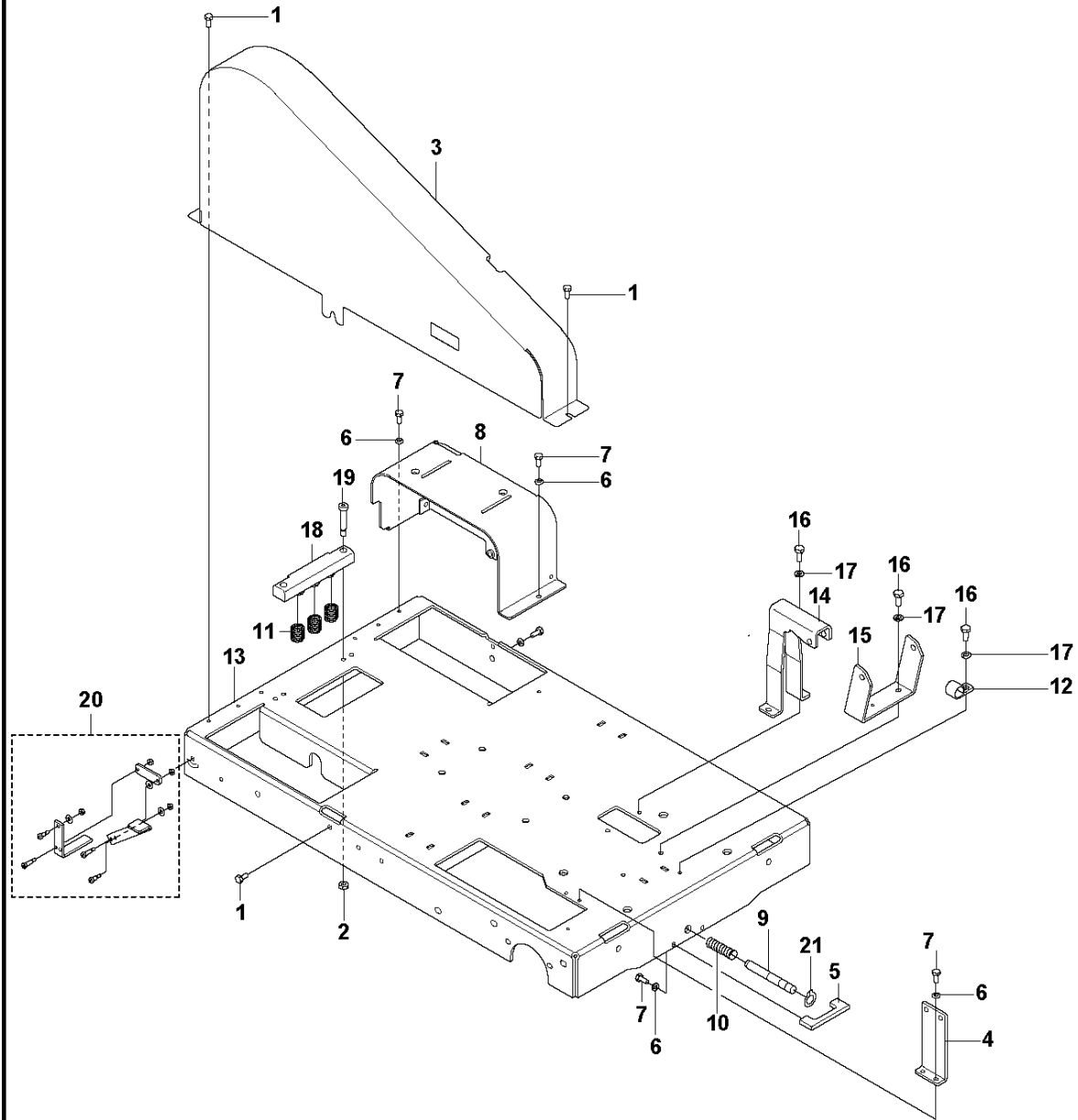


# SPARE PARTS LIST

EARLY ENTRY SAWS

SOFF CUT 4000, 2022-04

**A** SOFF CUT 4000  
FRAME

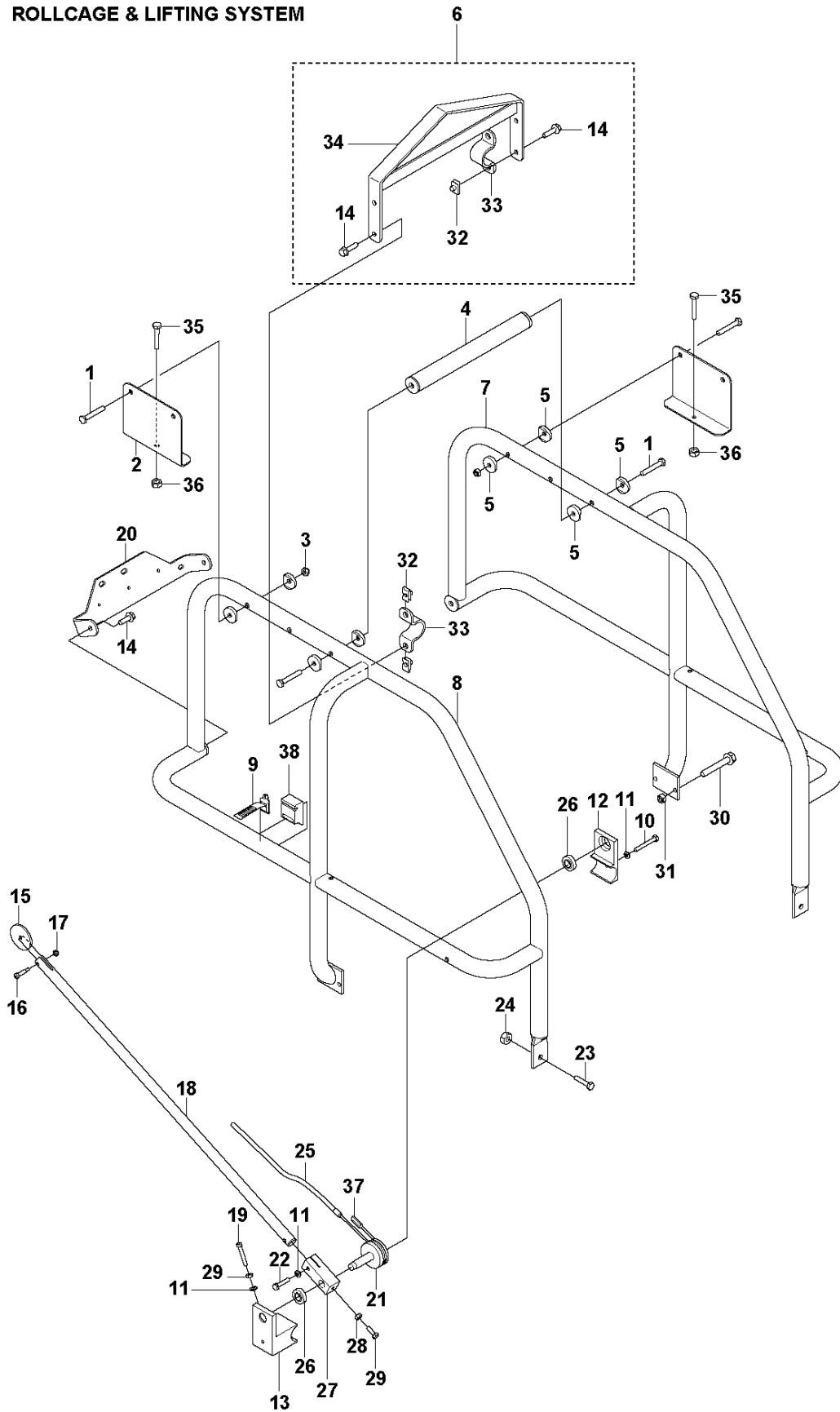


## FRAME

SOFF CUT 4000, 2022-04

Ref	Part No	Description	Remark	QTY KIT
1	590 96 06-01	SCREW		3
2	505 63 17-01	NUT		2
3	579 86 51-01	BELT GUARD		1
4	505 83 02-01	BRACKET		1
5	505 71 42-01	SHAFT		1
6	505 63 28-01	WASHER		7
7	505 62 74-01	BOLT		7
8	505 81 78-01	WHEEL COVER		1
9	505 81 69-01	SHAFT		1
10	505 83 42-01	SPRING		1
11	505 82 40-01	SPRING		3
12	542 16 66-76	CLAMP		1
13	505 83 03-01	PLATE		1
14	505 83 11-02	BRACKET		1
15	505 81 86-01	BRACKET		1
16	539 97 69-34	SCREW		2
17	505 63 30-01	WASHER		4
18	505 83 19-01	BLOCK		1
19	505 83 35-01	BOLT		2
20	596 50 12-01	PARKING BRAKE	"CE version only; Service only"	1
21	505 64 78-01	SNAP RING		1

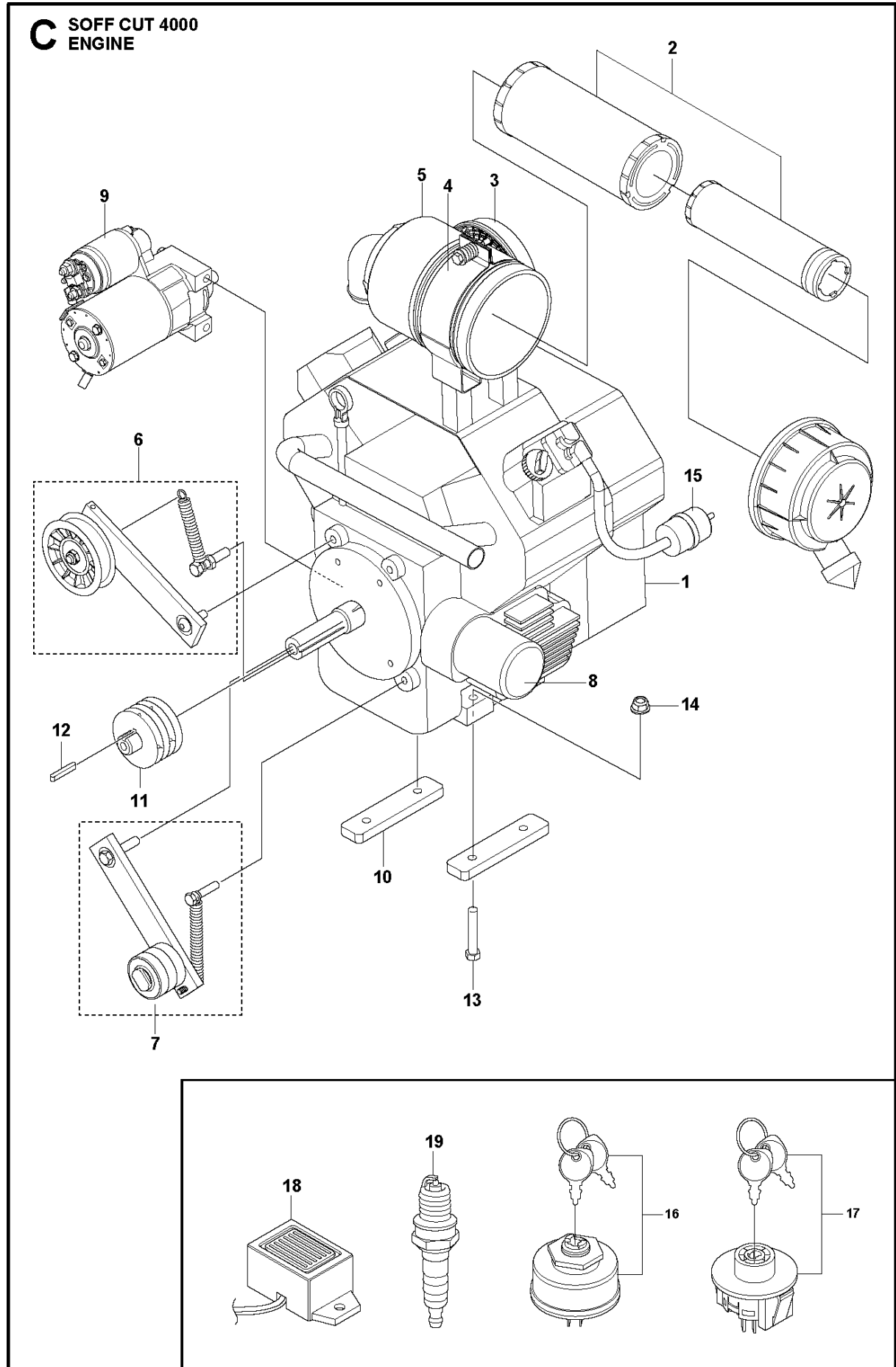
**B** SOFF CUT 4000  
ROLLCAGE & LIFTING SYSTEM



## ROLLCAGE &amp; LIFTING SYSTEM

SOFF CUT 4000, 2022-04

Ref	Part No	Description	Remark	QTY	KIT
1	725 24 61-51	SCREW EHHM		6	
2	589 58 10-01	PLATE		2	
3	732 25 18-01	HEXAGON LOCKING NUT		4	
4	589 57 96-01	PIPE ASSY		1	
5	542 20 21-84	WASHER		12	
6	593 00 28-01	BAIL	Service only	1	
7	589 57 93-01	PIPE ASSY		1	
8	589 57 94-01	PIPE ASSY		1	
9	505 82 25-01	CLAMP		1	
10	505 72 81-01	BOLT		1	
11	505 63 28-01	WASHER		3	
12	505 81 63-01	BLOCK		1	
13	505 81 64-01	BLOCK		1	
14	539 30 07-70	NUT		6	6
15	505 61 42-01	DISC		1	
16	505 72 58-01	BOLT		1	
17	505 63 04-01	NUT		1	
18	505 82 89-01	GUIDE		1	
19	505 72 89-01	BOLT		1	
20	590 47 25-01	BRACKET		1	
21	505 81 61-01	GUIDE		1	
22	505 72 83-01	BOLT		1	
23	505 83 31-01	BOLT		2	
24	539 97 69-79	NUT		2	
25	505 82 31-01	GUIDE		1	
26	505 65 48-01	BALL BEARING		2	
27	505 81 62-01	ARM		1	
28	505 63 19-01	NUT		2	
29	505 62 75-01	BOLT		1	
30	586 12 02-01	SCREW EHHFM		4	
31	732 25 16-01	HEXAGON LOCKING NUT		6	
32	731 71 18-51	HEXAGON NUT FLANGE		4	6
33	579 76 26-01	LOCKING PLATE		2	6
34	597 48 68-01	BRACKET		1	6
35	725 23 79-51	SCREW EHHM		2	
36	732 25 16-01	HEXAGON LOCKING NUT		2	
37	505 82 33-01	CABLE		1	
38	505 81 92-01	BLOCK		1	

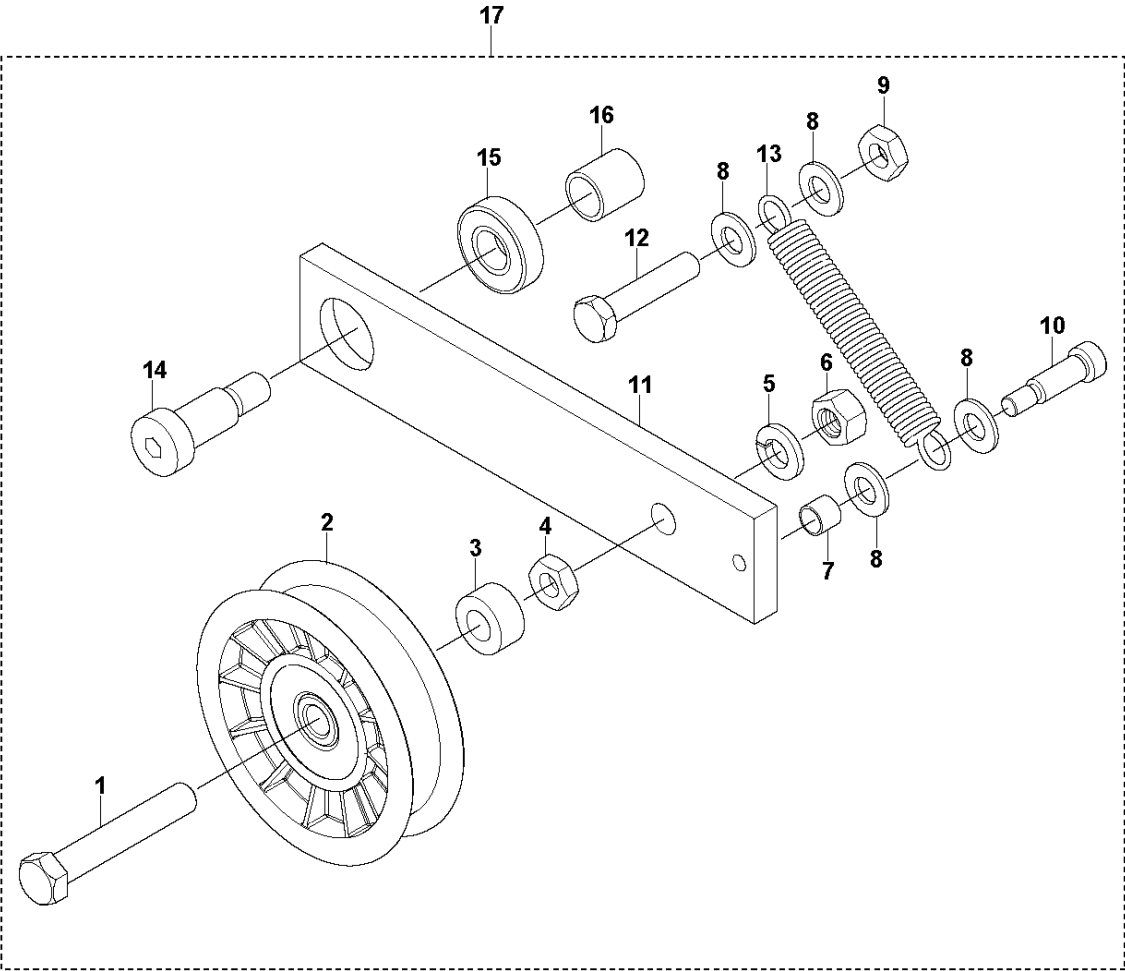


## ENGINE

SOFF CUT 4000, 2022-04

Ref	Part No	Description	Remark	QTY KIT
1	597 76 09-01	ENGINE	Engine	1
2	505 48 23-06	FILTER	Air filter element 2-pack	1
2	536 97 59-01	AIR FILTER	AIR FILTER 1-PACK X4000 GX4200 and X5000	1
3	505 83 63-01	HOOD		1
4	505 79 33-01	BRACE		1
5	505 83 61-01	AIR CLEANER		1
6	587 54 21-02	ARM	KIT, Pump Idler, Page D	1
7	587 54 21-01	ARM	KIT, Blade shaft idler, Page E	1
8	505 79 74-01	OIL FILTER	Oil filter	1
9	505 48 43-02	STARTER	Starter	1
10	501 08 06-01	PLATE		2
11	587 93 57-02	PULLEY		1
12	539 91 02-10	KEY		1
13	581 24 33-01	SCREW EHHFM		4
14	576 64 57-05	NUT FLANGE		4
15	505 79 82-01	FUEL FILTER	Fuel filter	1
16	505 79 76-01	KEY SWITCH	Key switch - METAL BODY	
17	505 79 76-02	KEY SWITCH	Key switch - PLASTIC BODY	1
18	505 75 47-01	BUZZER	BUZZER	1
19	505 66 66-01	SPARK PLUG	Spark plug	1

**D** SOFF CUT 4000  
PUMP IDLER PULLEY

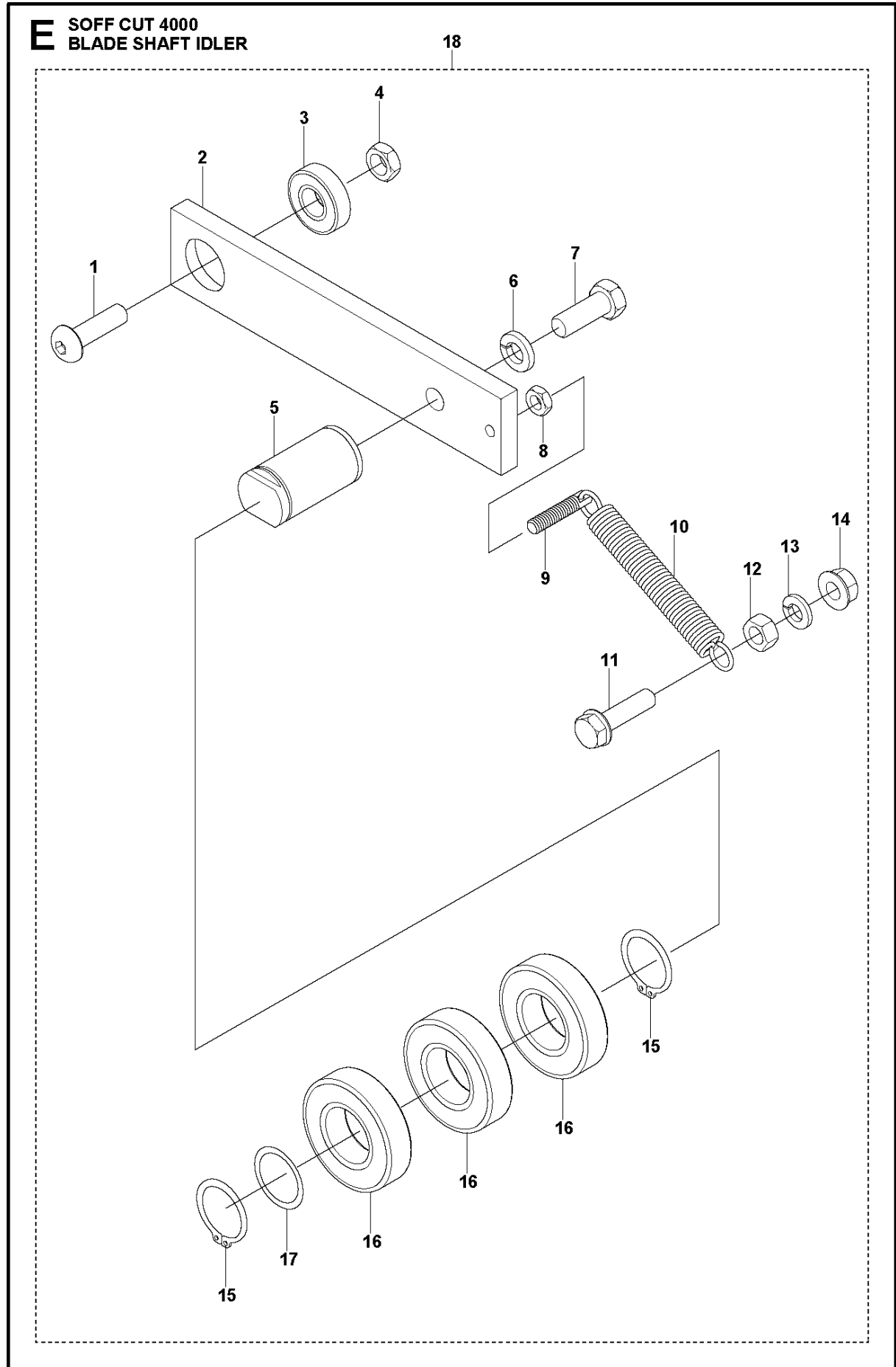




## PUMP IDLER PULLEY

SOFF CUT 4000, 2022-04

Ref	Part No	Description	Remark	QTY	KIT
1	542 02 03-65	SCREW		1	17
2	542 17 25-56	PULLEY ASSY		1	17
3	523 23 06-01	SHAFT		1	17
4	505 73 25-01	NUT		1	17
5	539 99 01-18	WASHER		1	17
6	539 99 01-30	NUT		1	17
7	505 71 79-01	BUSHING		1	17
8	539 99 01-88	WASHER		4	17
9	505 73 28-01	NUT		1	17
10	505 72 64-01	BOLT		1	17
11	594 06 03-01	ARM		1	17
12	505 72 78-01	BOLT		1	17
13	505 77 46-01	SPRING		1	17
14	523 05 96-05	BOLT		1	17
15	505 65 48-01	BALL BEARING		1	17
16	523 05 94-01	SPACER		1	17
17	587 54 21-02	ARM		1	

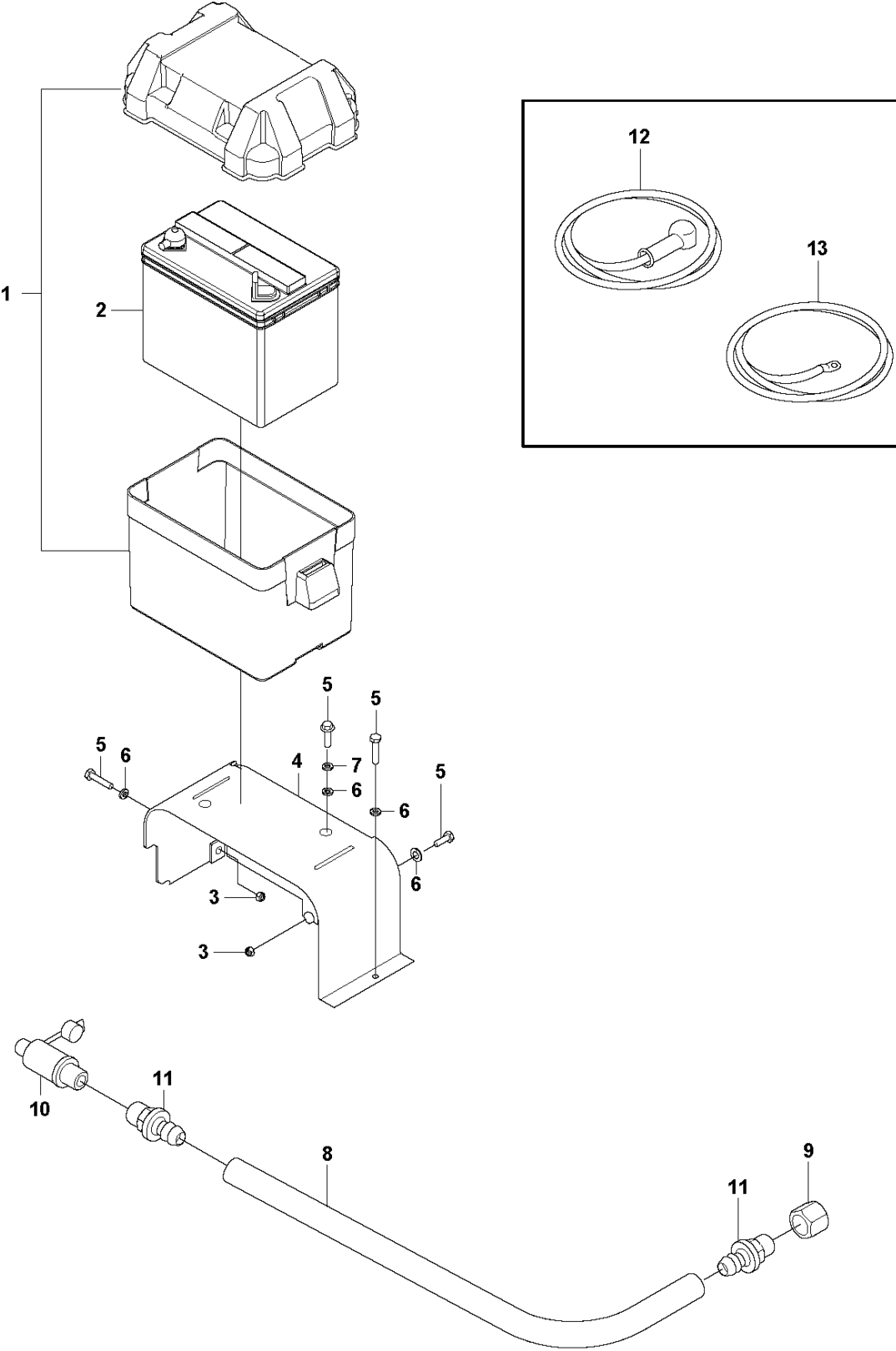


## BLADE SHAFT IDLER

SOFF CUT 4000, 2022-04

Ref	Part No	Description	Remark	QTY	KIT
1	574 19 11-01	SCREW		1	18
2	594 06 03-01	ARM		1	18
3	505 65 48-01	BALL BEARING		1	18
4	505 73 25-01	NUT		1	18
5	505 70 68-01	BLADE		1	18
6	505 73 10-01	WASHER		1	18
7	539 99 05-63	SCREW		1	18
8	505 63 19-01	NUT		1	18
9	505 77 45-01	ANCHOR		1	18
10	505 73 73-01	SPRING		1	18
11	585 97 28-01	SCREW EHHFM		1	18
12	731 23 18-01	HEXAGON NUT		1	18
13	505 63 30-01	WASHER		1	18
14	731 71 18-51	HEXAGON NUT FLANGE		1	18
15	542 20 62-05	SNAP RING		2	18
16	505 73 63-01	WHEEL		3	18
17	505 73 69-01	SHIM		1	18
18	587 54 21-01	ARM		1	

**F** SOFF CUT 2000  
OIL DRAIN & BATTERY

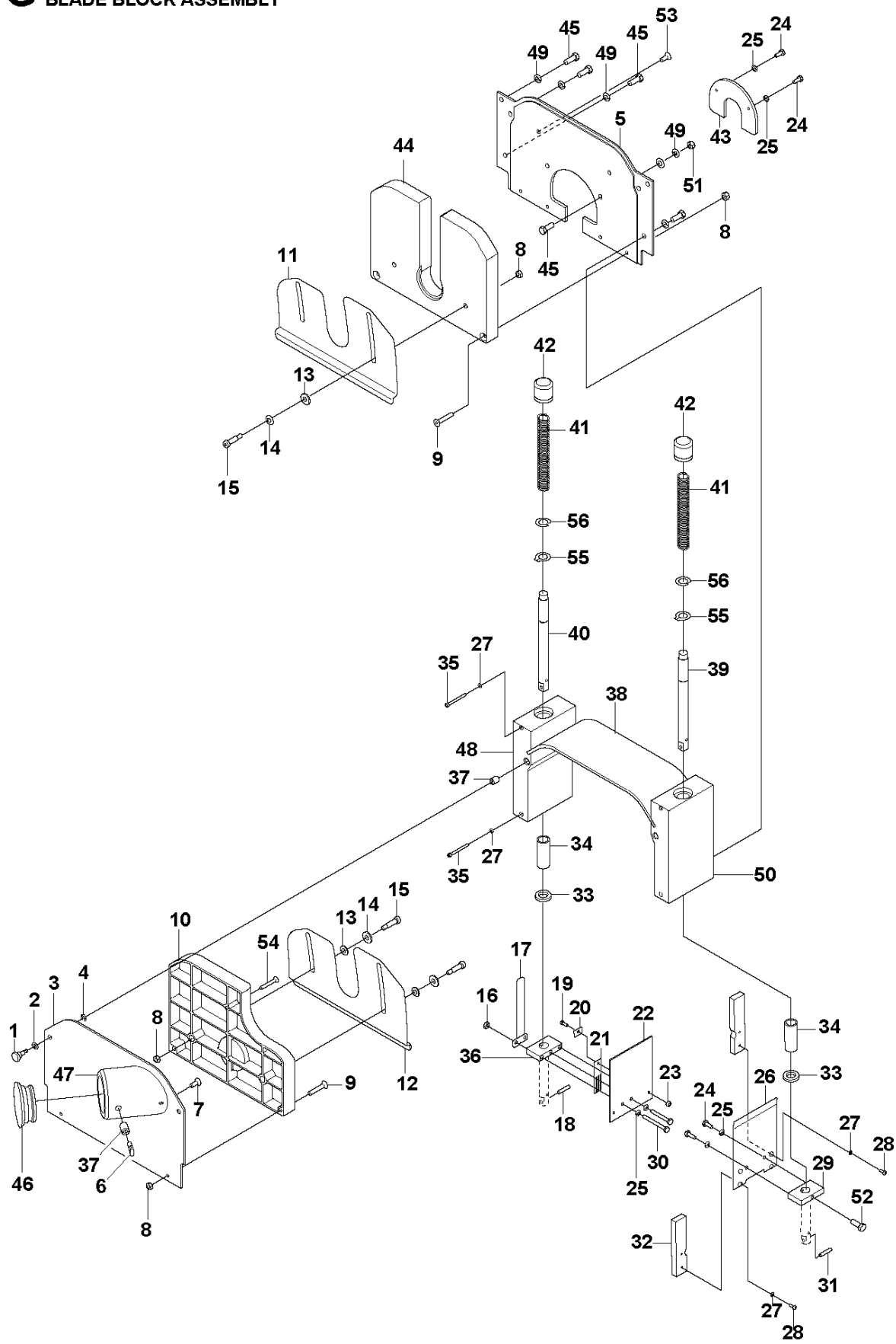


## OIL DRAIN &amp; BATTERY

SOFF CUT 4000, 2022-04

Ref	Part No	Description	Remark	QTY KIT
1	505 83 60-01	COVER		1
2	522 95 02-01	BATTERY		1
3	539 97 69-78	NUT		2
4	505 81 78-01	WHEEL COVER		1
5	505 62 74-01	BOLT		7
6	505 63 28-01	WASHER		5
7	734 11 54-41	WASHER		2
8	505 73 85-01	HOSE		1
9	505 77 66-01	CAP		1
10	505 79 64-01	BUSHING		1
11	505 73 86-01	FITTING		2
12	576 38 90-34	WIRE	WIRE, MISC, 20.5" RED BATTERY	1
13	576 38 90-36	WIRE	WIRE, X4000 18" BLK BATTERY	1

**G** SOFF CUT 4000  
BLADE BLOCK ASSEMBLY

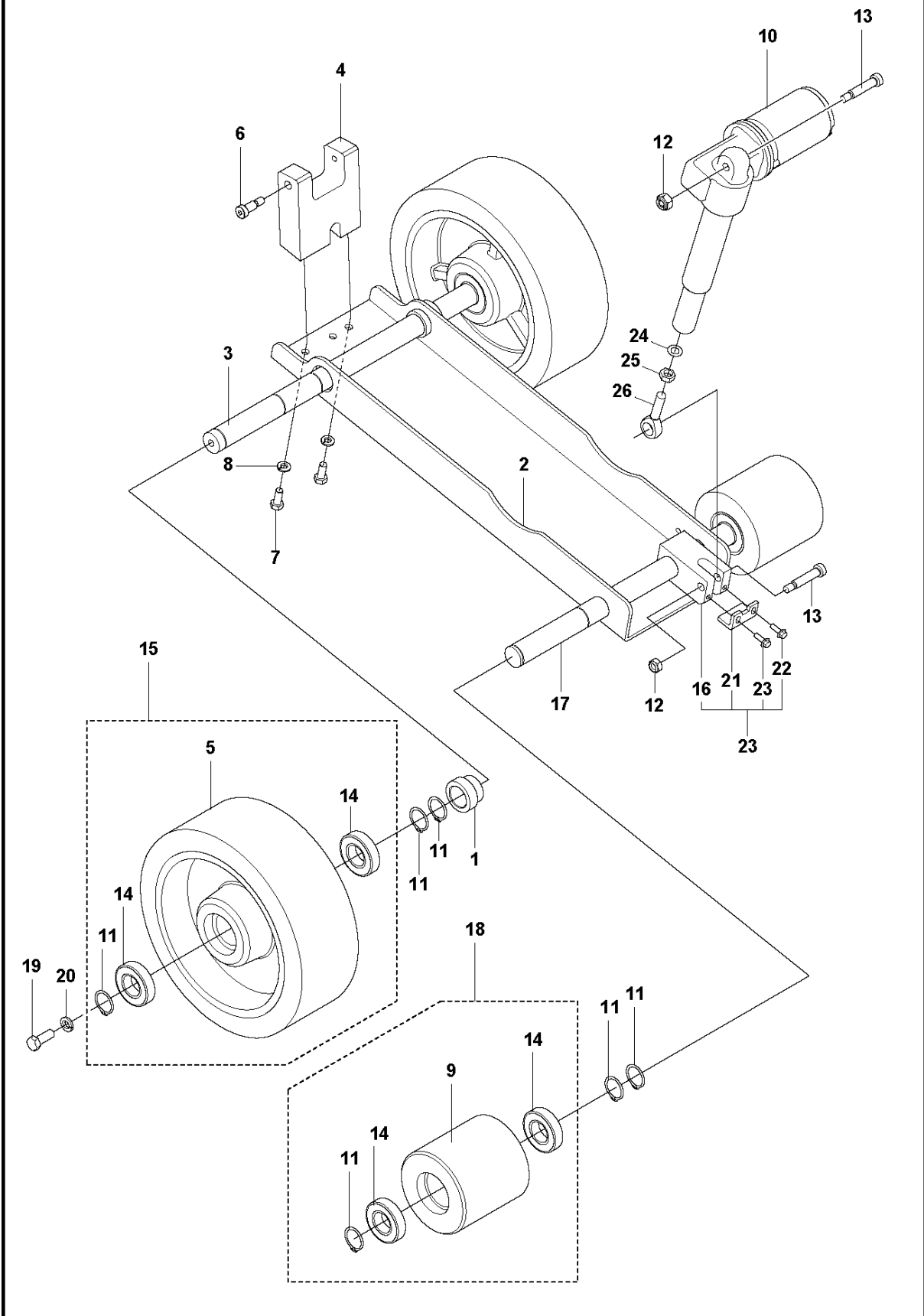


## BLADE BLOCK

SOFF CUT 4000, 2022-04

Ref	Part No	Description	Remark	QTY KIT
1	505 53 63-01	KNOB		2
2	505 53 64-01	WASHER		2
3	505 83 24-01	COVER		1
4	505 53 65-01	E-CLIP		2
5	596 93 47-01	COVER		1
6	505 79 61-01	SCREW		1
7	505 73 05-01	SCREW		3
8	505 73 24-01	NUT		4
9	505 83 39-01	SCREW		4
10	593 65 41-01	BLOCK		1
11	529 60 40-01	COVER		1
12	529 60 39-01	COVER		1
13	505 63 45-01	WASHER		8
14	505 63 42-01	WASHER		4
15	510 32 53-01	BOLT		4
16	505 63 07-01	NUT		2
17	505 83 17-01	ARM		1
18	587 91 82-01	PIN		1
19	505 77 24-01	SCREW		2
20	505 76 91-01	BAR		2
21	505 76 92-01	FLAP		2
22	505 82 88-01	REAR AXLE		1
23	505 63 04-01	NUT		2
24	505 62 75-01	BOLT		3
25	505 63 28-01	WASHER		3
26	505 82 87-01	PLATE		1
27	505 63 31-01	WASHER		6
28	505 62 98-01	SCREW		4
29	505 83 98-01	BLOCK		1
30	505 72 81-01	BOLT		2
31	505 77 40-01	PIN		1
32	534 99 63-01	BLOCK	New Angled block diverter	2
33	505 73 80-01	SEAL		2
34	505 66 78-01	SHAFT		2
35	505 83 37-01	SCREW		4
36	505 66 49-01	BLOCK		1
37	505 74 83-01	INSERT		3
38	505 82 85-01	COVER		1
39	505 82 83-01	SHAFT		1
40	505 82 84-01	SHAFT		1
41	505 79 07-01	BLADE		2
42	505 83 14-01	CAP		2
43	505 81 57-01	BELT		1
44	593 65 40-01	BLOCK		1
45	505 83 31-01	BOLT		6
46	593 21 44-01	PLUG		1
47	591 35 71-01	TUBE		1
48	505 82 77-01	REAR AXLE		1
49	505 73 10-01	WASHER		6
50	505 82 78-01	FRONT AXLE ASSY		1
51	539 99 01-96	NUT		4
52	505 72 73-01	BOLT		1
53	505 62 88-01	SCREW		2
54	505 73 03-01	SCREW		1
55	505 73 36-01	SNAP RING		2
56	541 40 14-72	RING		2

**H** SOFF CUT 4000  
FRONT WHEEL CARRIAGE

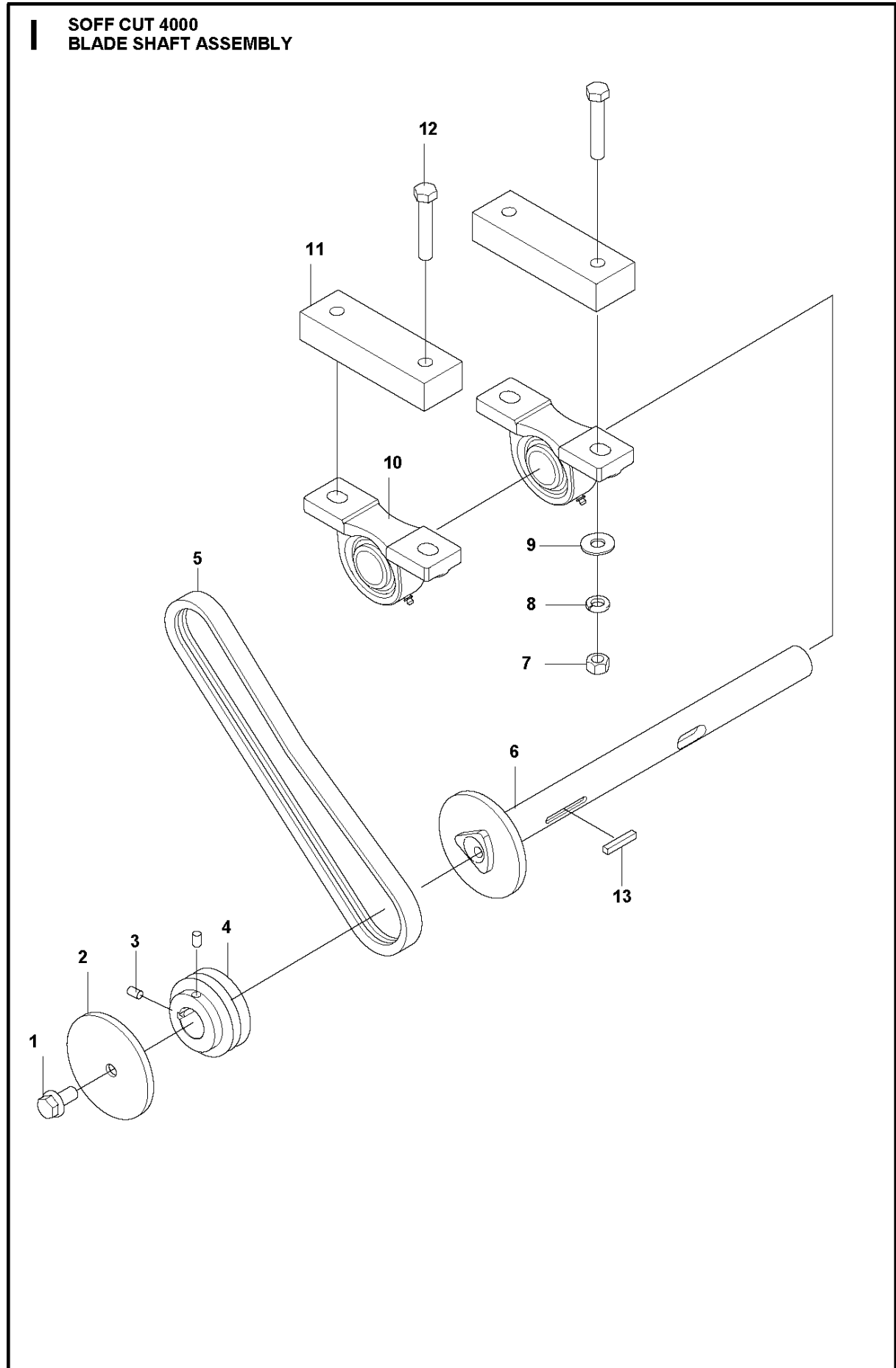




## FRONT WHEEL CARRIAGE

SOFF CUT 4000, 2022-04

Ref	Part No	Description	Remark	QTY	KIT
1	505 65 51-01	BUSHING		2	
2	505 83 01-01	WHEEL		1	
3	505 82 99-01	AXLE		1	
4	505 81 91-01	BLOCK		1	
5	505 82 38-01	WHEEL		2	15
6	505 62 71-01	BOLT		1	
7	539 97 69-34	SCREW		2	
8	505 63 30-01	WASHER		2	
9	505 82 37-01	WHEEL		2	18
10	505 79 11-02	ACTUATOR		1	
11	542 20 62-05	SNAP RING		12	18,15
12	505 63 04-01	NUT		2	
13	505 83 35-01	BOLT		2	
14	505 73 63-01	WHEEL		8	18,15
15	505 86 45-01	WHEEL	Wheel kit	1	
16	529 85 80-01	BRACKET	Old bracket actuator 505831002	1	23
17	505 81 73-01	AXLE		1	
18	505 86 44-01	WHEEL	Wheel kit	1	
19	505 83 31-01	BOLT		1	
20	505 73 10-01	WASHER		1	
21	531 19 69-01	BRACKET	Bracket carriage	1	23
22	590 96 06-01	SCREW	Screw	2	23
23	536 65 17-01	BRACKET	Braket kit	1	
24	505 73 10-01	WASHER	SPLIT 3/8" S.S.	1	
25	542 02 01-71	NUT	HEX JAM THIN .375-24 Z/P	1	
26	505 74 34-02	ROD END	3/8-24, plated	1	

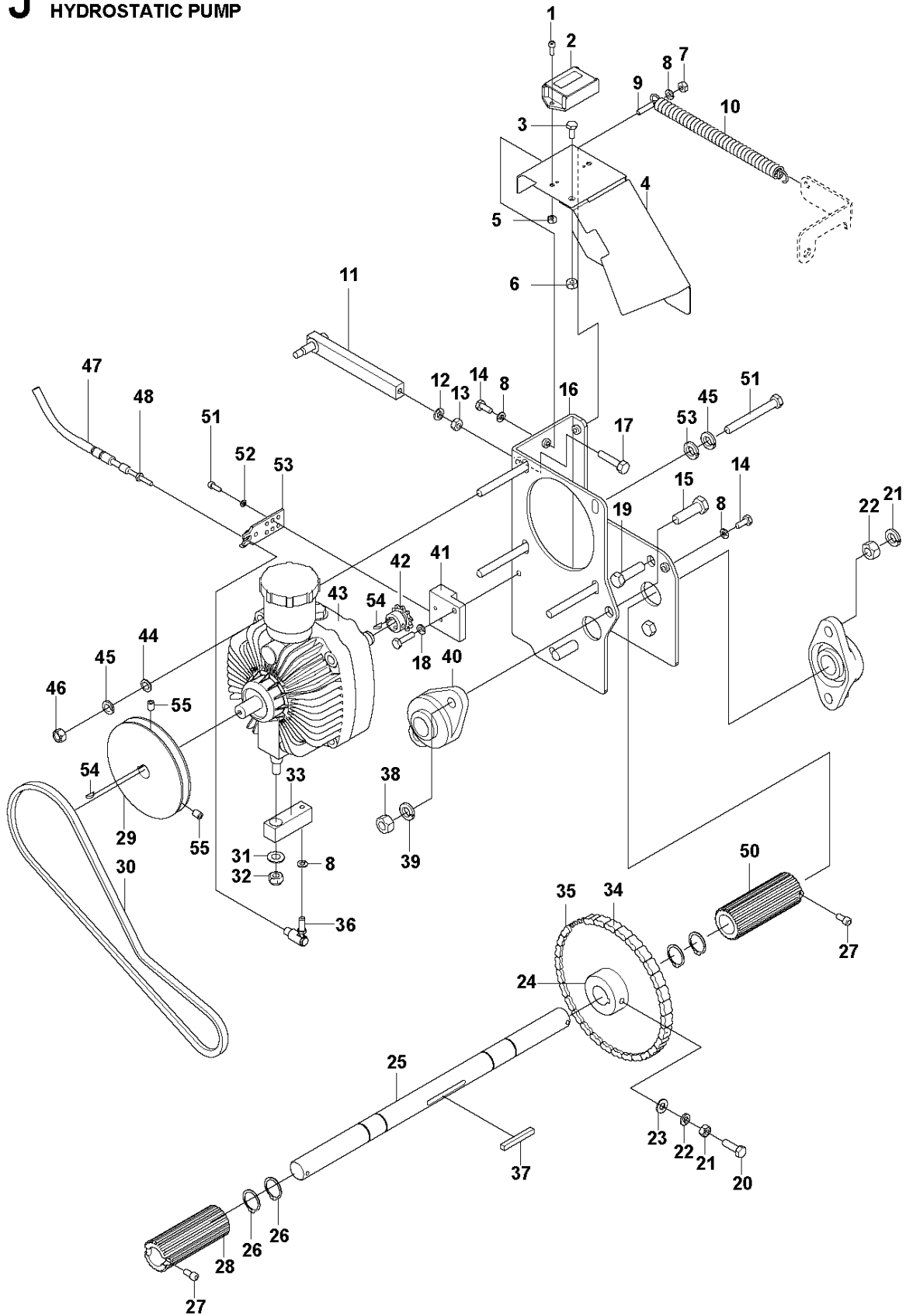


BLADE SHAFT ASSEMBLY

SOFF CUT 4000, 2022-04

Ref	Part No	Description	Remark	QTY KIT
1	505 48 37-01	BOLT		1
2	505 49 15-05	WASHER		1
3	542 02 05-50	SCREW		2
4	582 04 67-01	PULLEY		1
5	505 48 39-02	BELT		1
6	505 57 32-04	SHAFT		1
7	541 20 48-36	NUT		4
8	505 73 11-01	WASHER		4
9	505 73 14-01	WASHER		4
10	505 83 41-01	BLADE SHAFT		2
11	505 83 00-01	BEARING		2
12	505 72 71-01	BOLT		4
13	541 20 33-99	KEY		1

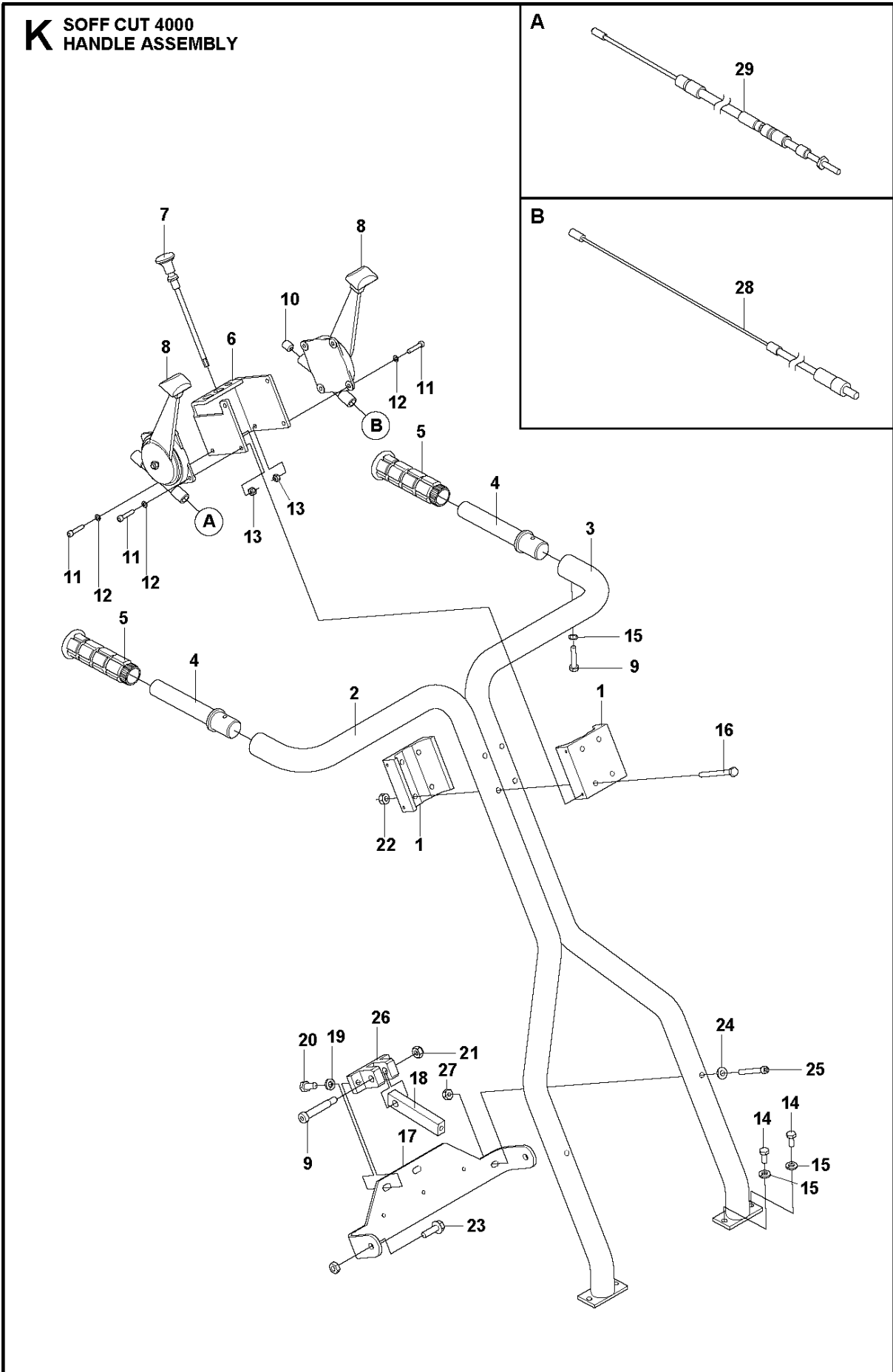
**J** SOFF CUT 4000  
HYDROSTATIC PUMP



## HYDROSTATIC PUMP

SOFF CUT 4000, 2022-04

Ref	Part No	Description	Remark	QTY KIT
1	505 72 97-01	BOLT		2
2	505 81 43-01	HOUR METER	service only	1
3	505 62 75-01	BOLT		1
4	589 43 45-01	COVER ASSY		1
5	505 82 22-01	NUT		2
6	539 97 69-78	NUT		1
7	505 63 19-01	NUT		1
8	505 63 28-01	WASHER		4
9	505 77 45-01	ANCHOR		1
10	505 73 73-01	SPRING		1
11	505 83 09-01	ARM		1
12	505 63 30-01	WASHER		1
13	539 99 01-96	NUT		1
14	505 62 74-01	BOLT		1
15	505 82 11-01	BOLT		2
16	505 81 84-01	BRACKET		1
17	505 68 77-01	BOLT		1
18	505 72 73-01	BOLT		1
19	505 82 14-01	BOLT		2
20	539 99 02-09	SCREW		1
21	505 73 12-01	WASHER		2
22	505 73 26-01	NUT		2
23	539 99 01-88	WASHER		1
24	505 73 94-01	SPROCKET		1
25	505 83 08-01	SHAFT		1
26	542 20 62-05	SNAP RING		4
27	505 72 23-01	BOLT		4
28	505 71 51-01	DRIVER		1
29	587 93 53-01	PULLEY		1
30	505 48 40-04	BELT		1
31	505 63 42-01	WASHER		1
32	506 57 01-05	SCREW EHHFM		2
33	505 81 71-01	ARM		1
34	505 73 96-01	LINK		1
35	505 86 46-01	CHAIN	service only	1
36	505 82 35-01	BALL JOINT		1
37	539 91 02-10	KEY		1
38	505 73 33-01	NUT		2
39	505 73 11-01	WASHER		2
40	582 27 28-01	BALL BEARING		2
41	510 34 31-01	BLOCK		1
42	587 65 99-02	SPROCKET		1
43	531 07 57-01	HYDRAULIC PUMP		1
44	505 72 40-01	WASHER		4
45	505 73 10-01	WASHER		8
46	539 99 01-30	NUT		4
47	505 82 30-01	CONTROL CABLE		1
48	505 71 52-01	DRIVER		1
50	505 66 64-01	BRACKET		1
51	539 30 08-70	NLA HCS 3/8-16 X 3-1/2 GR 5 ZN		4
52	505 72 96-01	BOLT		2
53	539 99 05-17	WASHER		4
54	539 30 07-49	KEY		2
55	542 02 05-68	SCREW	SHSS, .25-20 x .375 HK	2

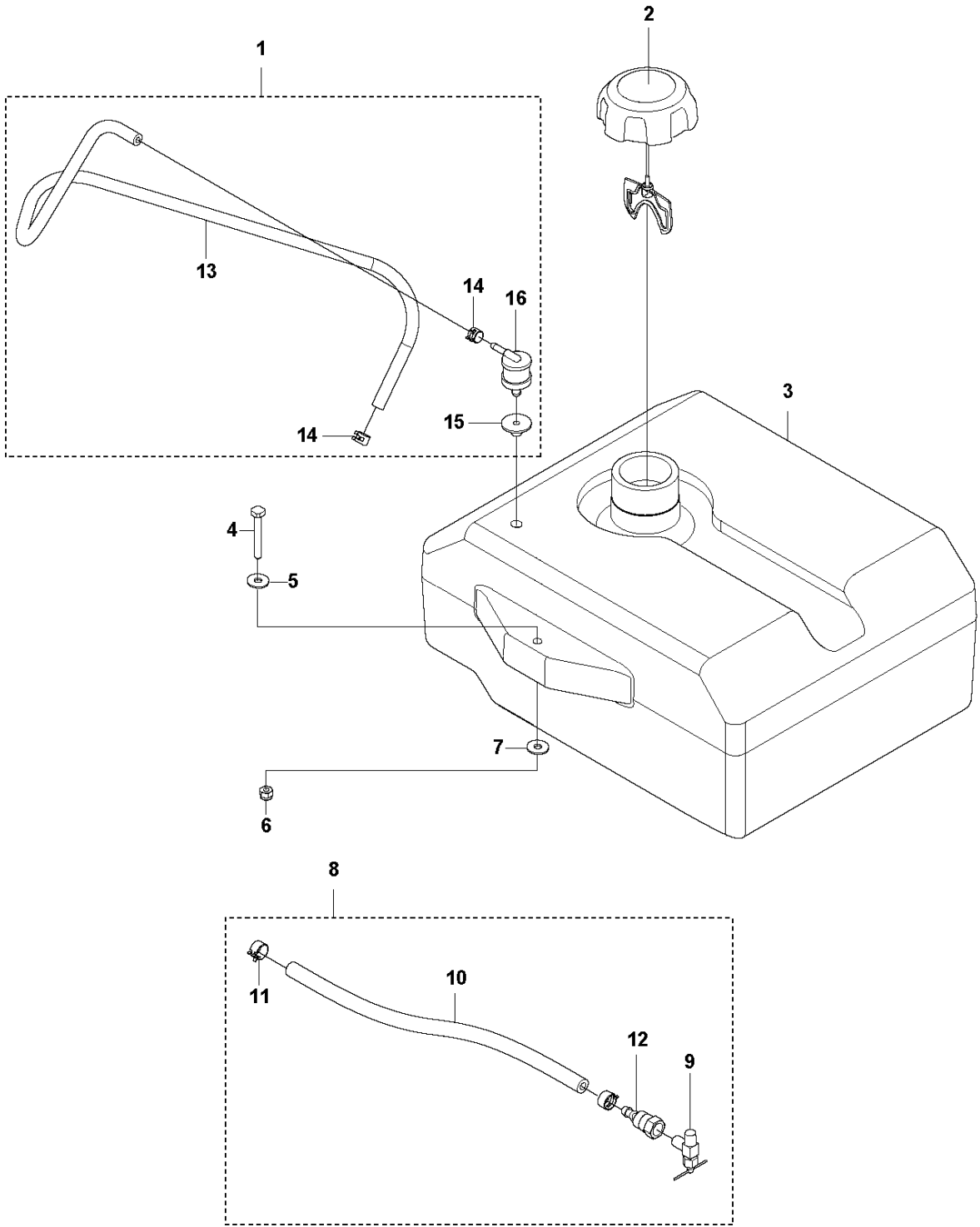


## HANDLE ASSEMBLY

SOFF CUT 4000, 2022-04

Ref	Part No	Description	Remark	QTY KIT
1	505 82 92-01	BLOCK		2
2	505 82 93-01	HANDLE		1
3	505 82 94-01	HANDLE		1
4	505 82 91-01	HANDLE		2
5	505 60 11-01	HANDLE GRIP		2
6	505 81 68-01	BRACKET		1
7	505 82 73-01	THROTTLE CABLE		1
8	505 82 36-01	CONTROL LEVER		2
9	505 72 83-01	BOLT		2
10	505 82 24-01	SCREW		2
11	505 72 97-01	BOLT		6
12	505 63 31-01	WASHER		6
13	505 82 22-01	NUT		2
14	505 62 75-01	BOLT		4
15	505 63 28-01	WASHER		6
16	505 72 80-01	BOLT		4
17	590 47 25-01	BRACKET		1
18	505 83 09-01	ARM		1
19	505 63 30-01	WASHER		2
20	539 97 69-34	SCREW		2
21	539 99 07-17	NUT		1
22	539 97 69-78	NUT		4
23	506 57 01-05	SCREW EHHFM		2
24	505 63 20-01	WASHER		2
25	505 72 89-01	BOLT		2
26	505 75 69-01	BRACKET		1
27	505 63 04-01	NUT	FIBER 10-24	1
28	505 82 30-01	CONTROL CABLE	Speed control cable	1
29	505 82 31-01	GUIDE	Cable, guide	1

**L** SOFF CUT 4000  
FUEL TANK



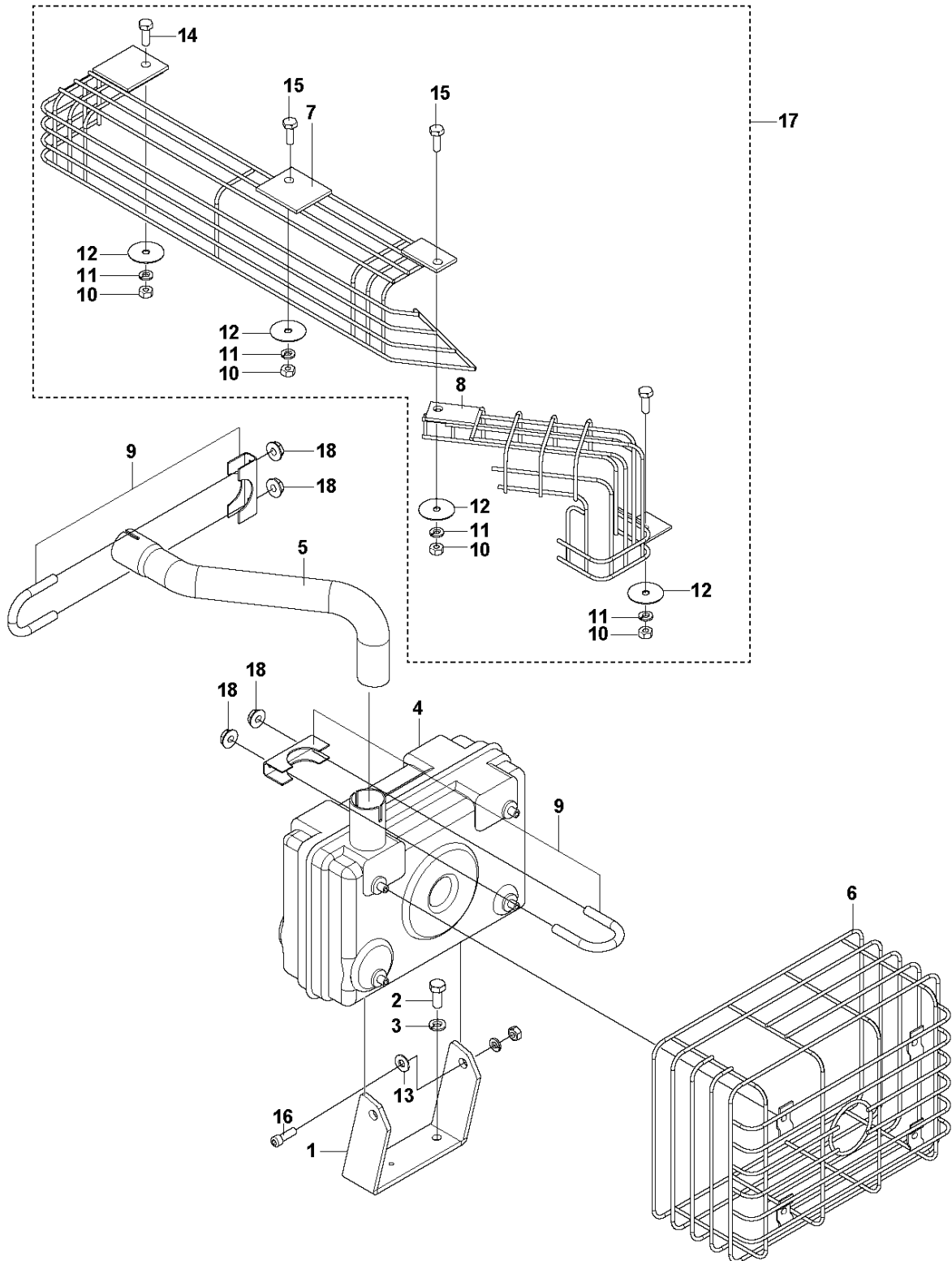


## FUEL TANK

SOFF CUT 4000, 2022-04

Ref	Part No	Description	Remark	QTY	KIT
1	593 00 34-01	VENT		1	
2	593 01 58-01	FUEL CAP		1	
3	589 22 16-01	FUEL TANK ASSY		1	
4	725 23 79-51	SCREW EHHM		2	
5	734 11 54-41	WASHER		2	
6	732 25 16-01	HEXAGON LOCKING NUT		2	
7	734 11 52-01	WASHER		2	
8	593 00 35-01	HOSE		1	
9	542 19 03-92	VALVE		1	9
10	523 05 08-01	HOSE		1	9
11	577 81 35-01	CLAMP		2	9
12	541 20 47-50	FITTING		1	9
13	523 05 08-13	HOSE		1	1
14	577 81 35-02	CLAMP		2	1
15	584 95 21-01	GROMMET		1	1
16	576 61 81-01	TANK VENT		1	1

**M** SOFF CUT 4000  
MUFFLER GUARD

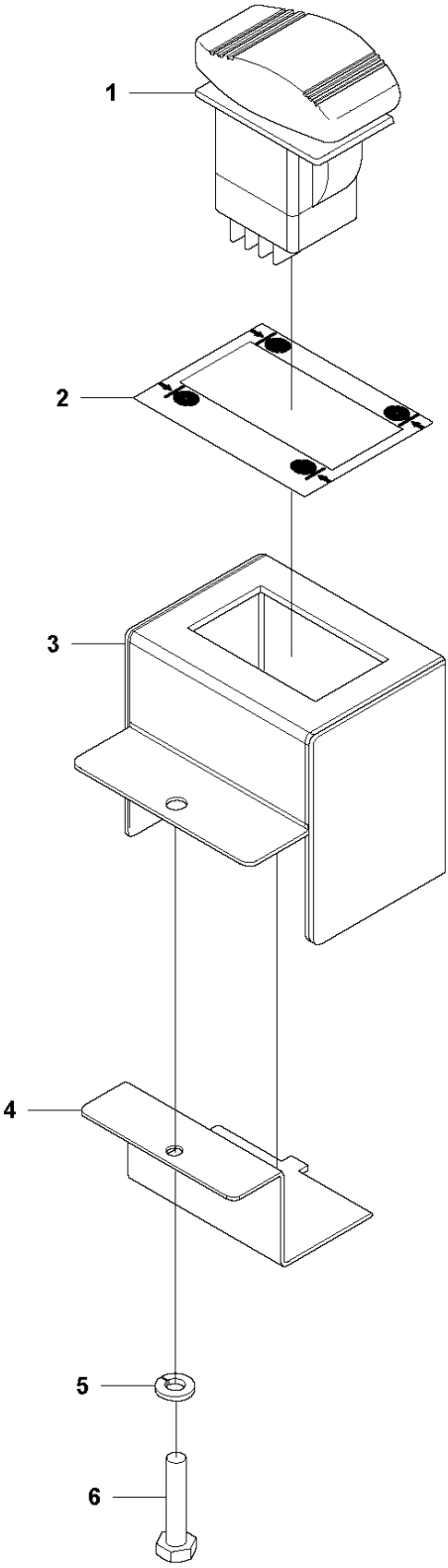


## MUFFLER GUARD

SOFF CUT 4000, 2022-04

Ref	Part No	Description	Remark	QTY	KIT
1	505 81 86-01	BRACKET		1	
2	539 97 69-34	SCREW		2	
3	505 63 30-01	WASHER		2	
4	505 83 58-01	MUFFLER	service only, MUFFLER 99-X40-8527-15	1	
5	505 83 45-01	ELBOW		1	
6	505 83 54-01	GUARD	service only, GUARD 99- X40-8527-11	1	
7	505 83 21-01	MUFFLER GUARD		1	17
8	505 83 22-01	MUFFLER GUARD		1	17
9	505 74 32-01	CLAMP		2	
10	505 63 19-01	NUT		4	17
11	505 63 28-01	WASHER		4	17
12	505 72 49-01	WASHER		4	17
13	505 63 20-01	WASHER		2	
14	505 72 73-01	BOLT		1	17
15	505 62 75-01	BOLT		3	17
16	505 62 78-01	BOLT		2	
17	505 87 05-01	EXHAUST PIPE	Guard, Exhaust manifold & elbow kit	1	
18	575 43 79-05	NUT		4	

**N** SOFF CUT 4000  
ACTUATOR SWITCH



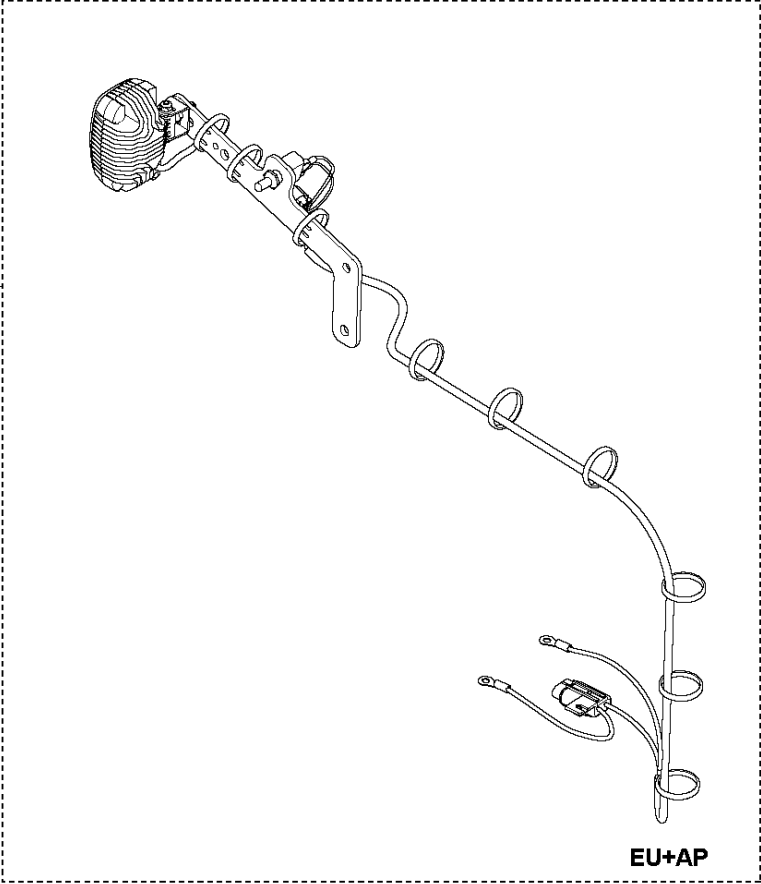
## ACTUATOR SWITCH

SOFF CUT 4000, 2022-04

Ref	Part No	Description	Remark	QTY KIT
1	589 66 89-01	TOGGLE SWITCH		1
2	582 07 52-01	DECAL		1
3	582 00 09-01	CONSOLE		1
4	582 01 16-01	PLATE		1
5	505 63 28-01	WASHER		1
6	505 72 83-01	BOLT		1

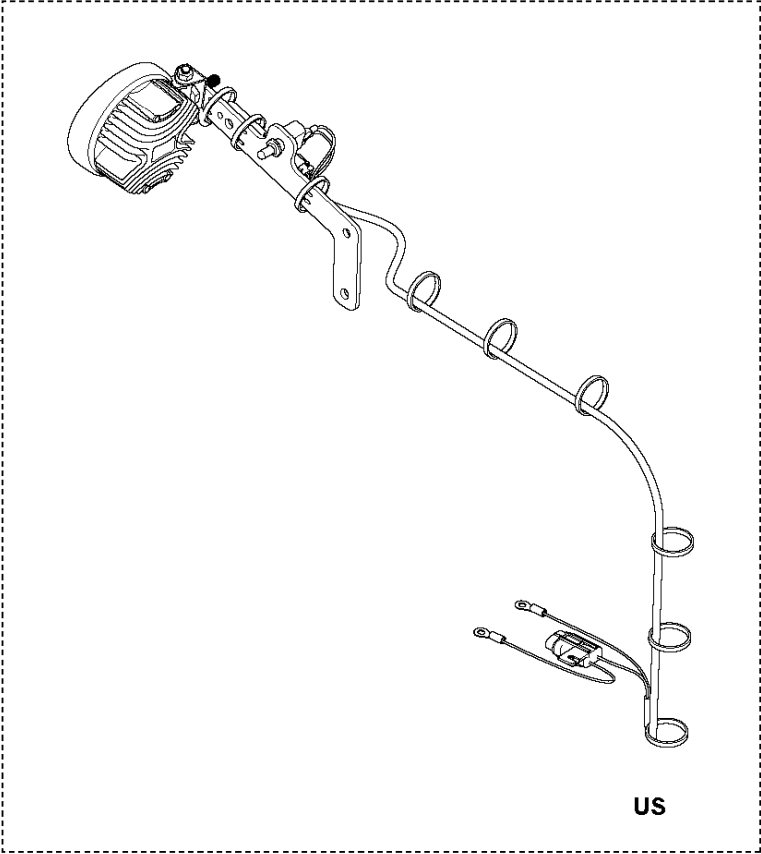
**P** SOFF CUT 4000  
LIGHT KIT

1



EU+AP

2

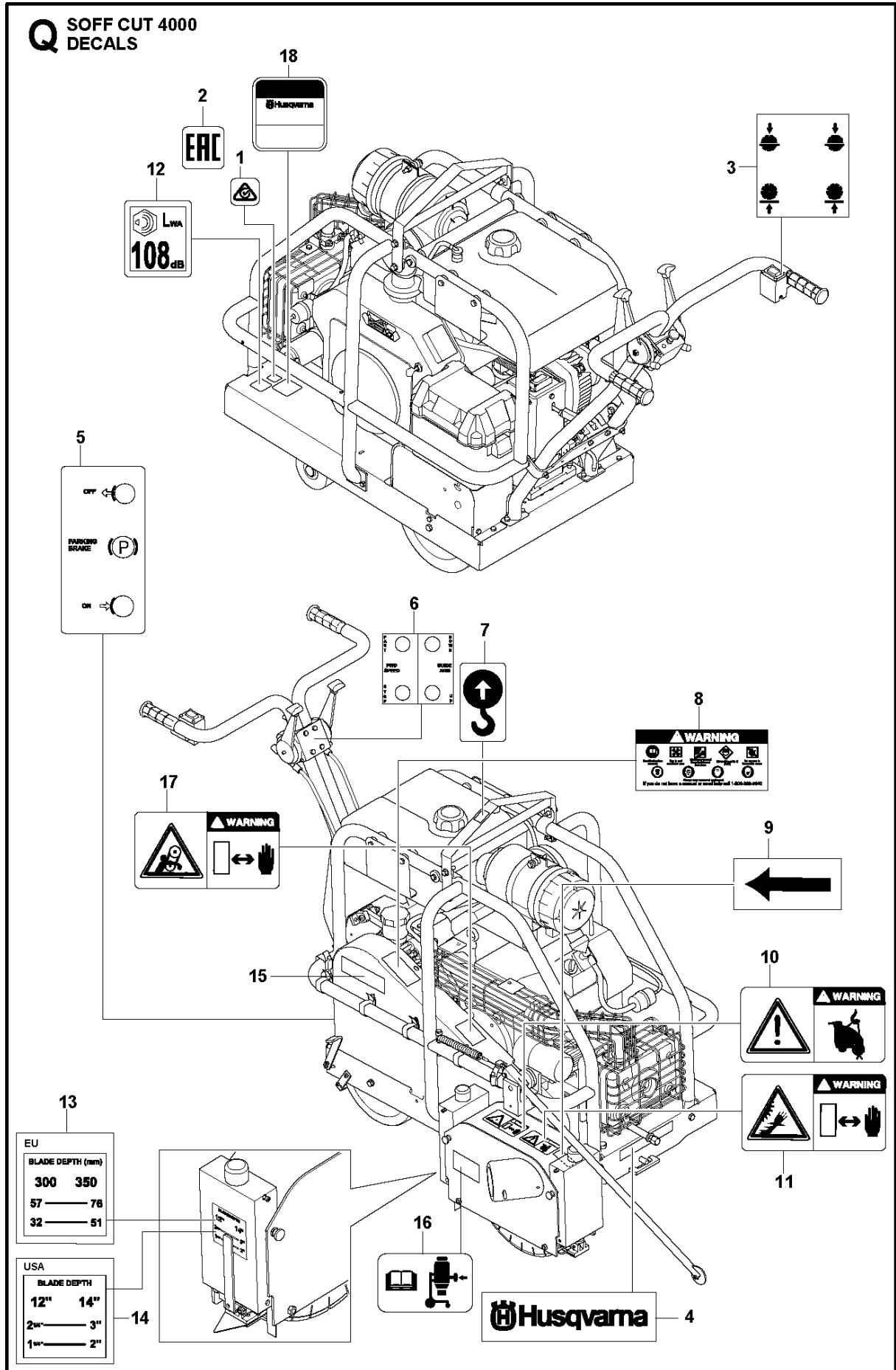


US

LIGHT KIT

SOFF CUT 4000, 2022-04

Ref	Part No	Description	Remark	QTY KIT
1	594 91 56-01	LIGHT	SOFF-CUT 4000/2000 EU+AP FIELD	1
2	594 91 52-01	LIGHT	SOFF-CUT 4000/2000 US FIELD	1





## DECALS

SOFF CUT 4000, 2022-04

Ref	Part No	Description	Remark	QTY KIT
1	582 30 81-01	DECAL	RCM	1
2	588 06 16-01	DECAL	Only for CE version	1
3	582 07 52-01	DECAL	Up down switch	1
4	542 19 07-33	DECAL	Husqvarna, 9.850" LG	1
5	505 70 34-01	LABEL	Only for CE version	1
6	510 34 13-01	LABEL	Handle control	1
7	599 96 36-01	LABEL	Lift point	1
8	505 70 37-01	LABEL. WARNING SIGN (BIG)	Only for CE version, warning sign, (big)	1
9	505 70 39-01	LABEL	Only for CE version, directional	1
10	505 70 35-01	LABEL	Only for CE version, warning no blade	1
11	510 34 75-01	LABEL WARNING	Only for CE version	1
12	543 04 57-88	DECAL	Only for CE version, sound level 108 Db(A)	1
13	510 34 39-01	STICKER. DEPTH GAUGE - CE	Only for CE version, depth gauge-C	1
14	510 34 38-01	LABEL	Only NA version, depth gauge	1
15	505 44 87-01	DECAL	Husqvarna 4000	1
16	597 02 69-01	DECAL	Vac information	1
17	505 70 38-01	LABEL. WARNING SIGN(MOVING PAR	Only for CE version, warning sign (moving parts)	1
18	580 40 16-12	DECAL	Emission control 2021	1