

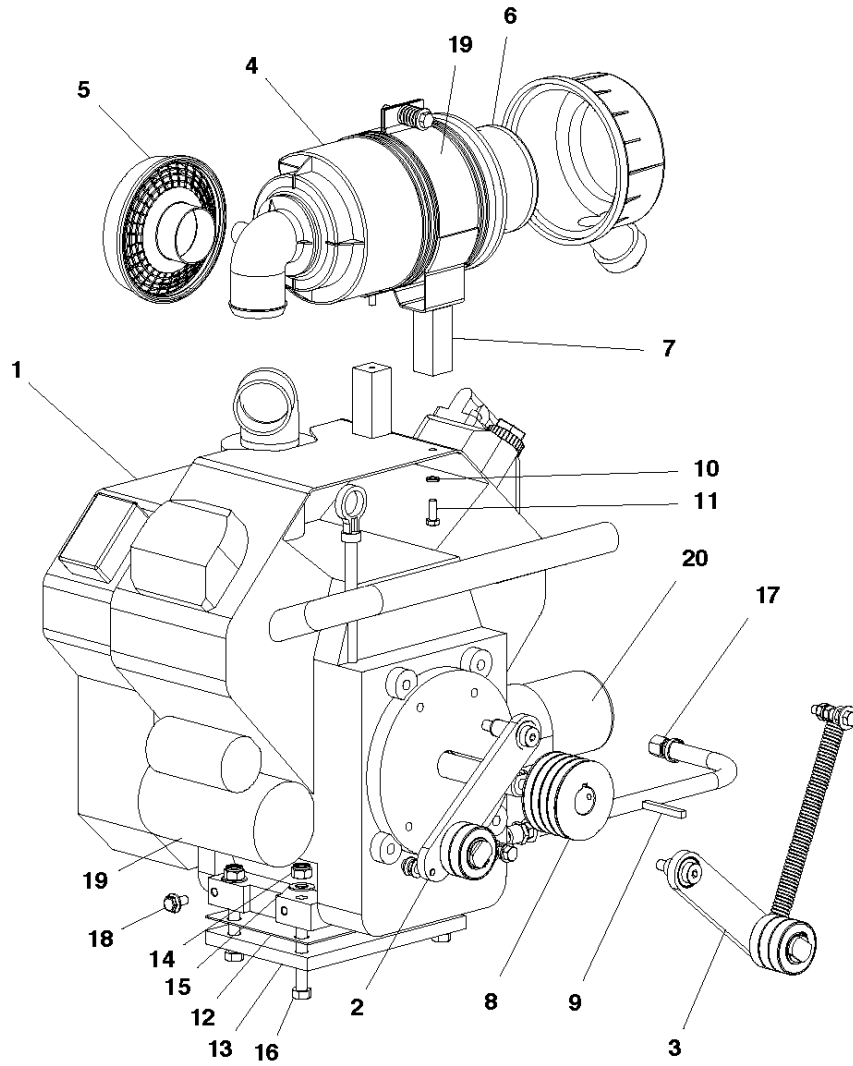


SPARE PARTS LIST

EARLY ENTRY SAWS

SOFF CUT 4000, 2015-10

A SOFF CUT X4000
ENGINE ASSEMBLY

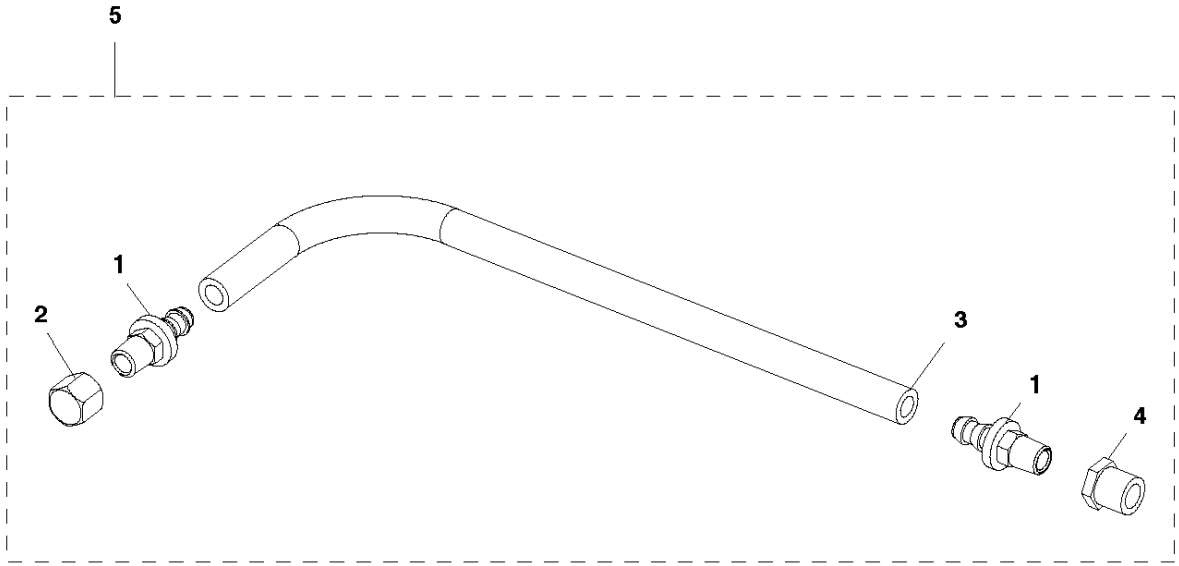


ENGINE

SOFF CUT 4000, 2015-10

Ref	Part No	Description	Remark	QTY KIT
1	586 60 11-02	ENGINE		1
2	510 27 18-03	ASSEMBLY		1
3	510 27 17-03	ASSEMBLY		1
4	505 83 61-01	AIR CLEANER		1
5	505 83 63-01	HOOD		1
6	505 48 23-06	FILTER	2-pack	1
7	505 79 33-01	AIR CANISTER SUPPORT BRACE		2
8	505 83 46-01	PULLEY		1
9	521 89 52-01	KEY		1
10	505 63 28-01	LK WASH 1/4 SPLIT SS		4
11	505 62 75-01	HEX BOLT 1/4-20-3/4 S.S.		4
12	505 79 32-01	MOTOR MT PLATE/OVER RUBBER		1
13	505 79 31-01	MOTOR MOUNT RUBBER		1
14	541 20 57-26	NUT		4
15	510 30 21-01	WASHER		4
16	505 60 15-01	HEX BOLT 7/16-14-2 1/2 S.S.		4
17	505 85 75-07	KIT		1
18	505 79 56-01	M8 X 16MM FLANGE BOLT		1
19	505 48 43-02	STARTER		1
20	505 79 74-01	OIL FILTER		1

B SOFF CUT X4000
KIT-OIL DRAIN

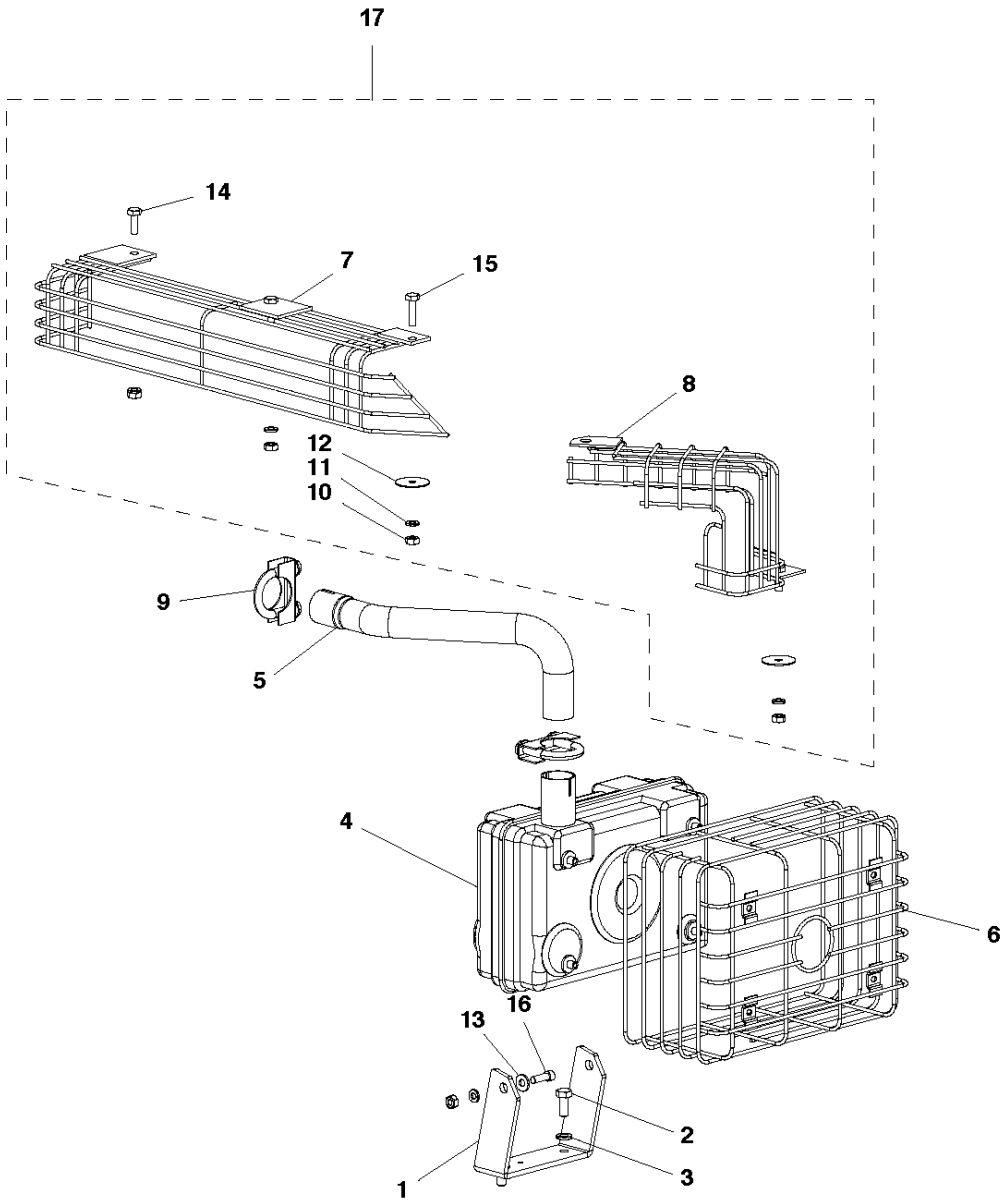


OIL DRAIN

SOFF CUT 4000, 2015-10

Ref	Part No	Description	Remark	QTY KIT
1	505 73 86-01	GATES 6LOC-4RMP PUSH ON FITTIN		2
2	505 77 66-01	DUST CAP FOR OIL DRAIN-RP85123		1
3	505 73 85-01	GATES 6 LOLA+ 3/8 I.D. HOSE		1
4	505 79 64-01	HEX BUSHING		1
5	505 85 75-07	KIT		1

C SOFF CUT X4000
EXHAUST SYSTEM ASSEMBLY

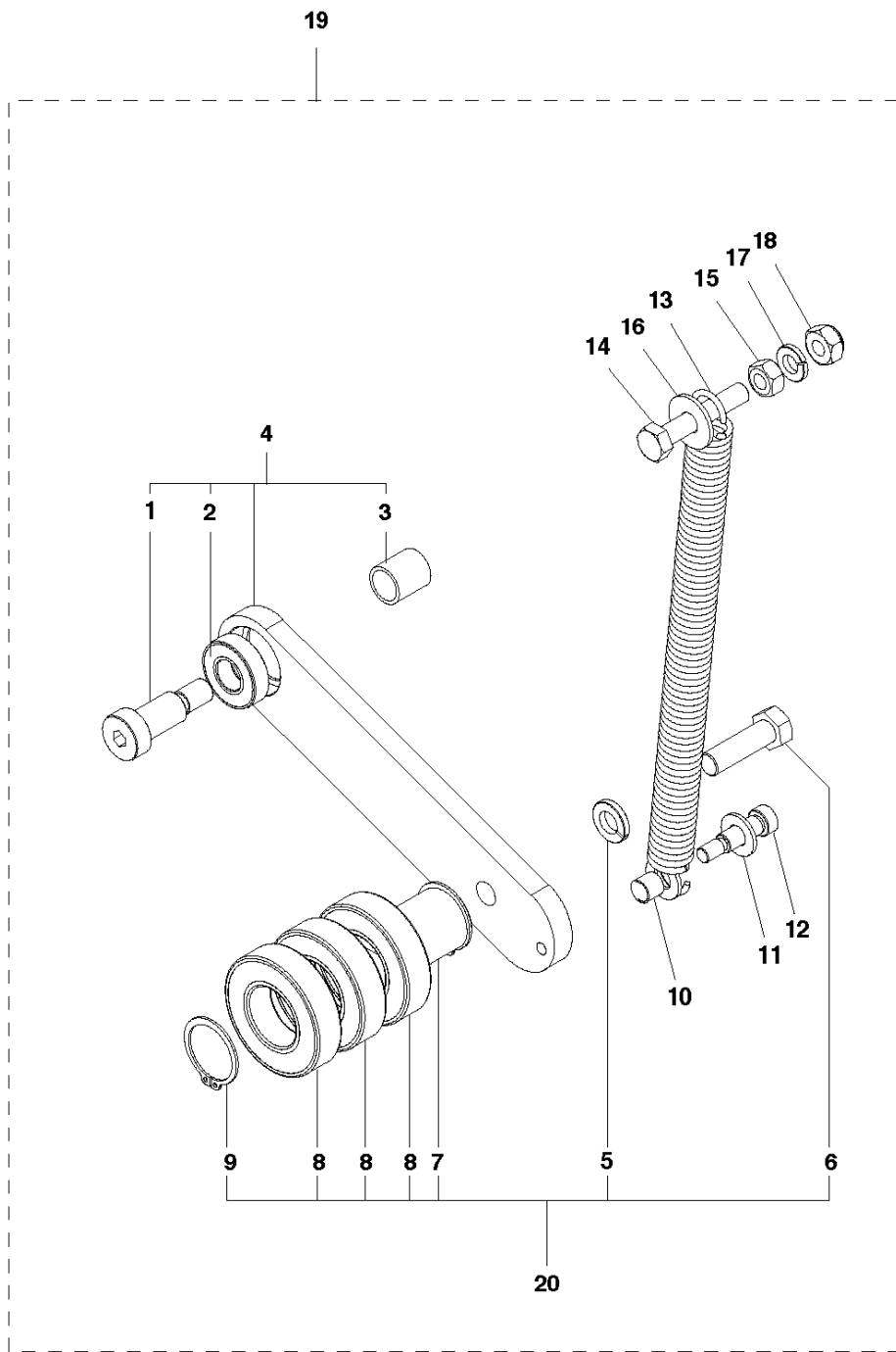


EXHAUST

SOFF CUT 4000, 2015-10

Ref	Part No	Description	Remark	QTY KIT
1	505 81 86-01	PUMP SUPPORT BRACKET		1
2	539 97 69-34	SCREW		2
3	505 63 30-01	LK WASH 5/16 SPLIT SS		2
4	505 83 58-01	MUFFLER FOR CH20 KOHLER MOTOR		1
5	505 83 45-01	EXHAUST ELBOW TUBING		1
6	505 83 54-01	MUFFLER. GUARD KIT		1
7	505 83 21-01	MUFFLER GUARD		1
8	505 83 22-01	MUFFLER GUARD		1
9	505 74 32-01	MUFFLER CLAMP 1 1/8"		2
10	505 63 19-01	JAM NUT 1/4-20 STAINLESS STEEL		6
11	505 63 28-01	LK WASH 1/4 SPLIT SS		6
12	505 72 49-01	FLAT WASH 1/4 X 1 1/4 O.D. FEN		2
13	505 63 20-01	WASHER		2
14	505 62 75-01	HEX BOLT 1/4-20-3/4 S.S.		3
15	505 72 73-01	HEX BOLT 1/4-20-1 STAINLESS ST		1
16	505 62 78-01	SHC 1/4-20-3/4 S.S.		2
17	505 87 05-01	X4000 EXHAUST MANIFOLD&ELBOW G	Guard, Exhust manifold & elbow kit	1

D SOFF CUT X4000
BLADE IDLER PULLEY

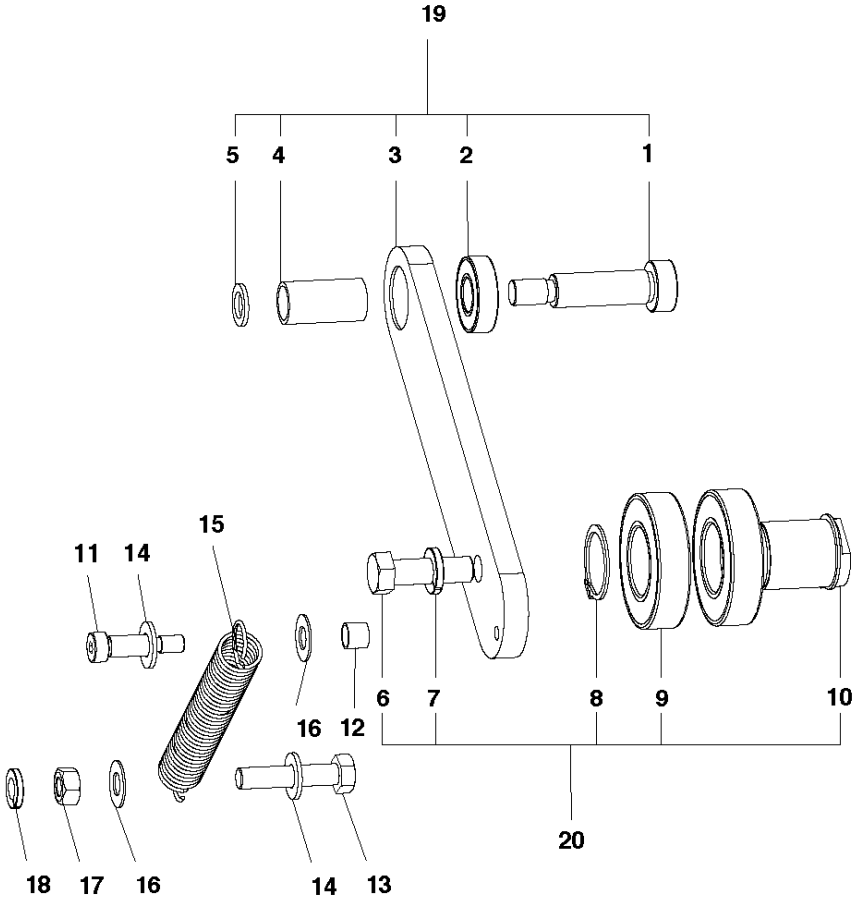


BLADE IDLER PULLEY

SOFF CUT 4000, 2015-10

Ref	Part No	Description	Remark	QTY	KIT
1	523 05 96-05	BOLT		1	4
2	505 65 48-01	BALL BEARING		1	4
3	523 05 94-01	SPACER		1	4
4	505 85 98-02	KIT		1	
5	505 73 10-01	LK WASH 3/8 SPLIT SS		1	
6	539 97 69-41	SCREW		1	
7	505 70 68-01	SHAFT. BLADE BELT TENSIONER (P		1	
8	505 73 63-01	10"WHEEL/ BLK SEAL SINLE LIP		3	
9	542 20 62-05	SNAP RING		2	
10	505 71 79-01	BUSHING.G.A.(.315 SPACER)		1	
11	539 99 01-88	WASHER		2	
12	505 72 64-01	SHSB 5/16 X 3/4 BLK STL		1	
13	505 73 73-01	SPRING		1	
14	505 72 85-01	HEX BOLT 5/16-18 X 1 3/4 GRADE		1	
15	539 99 01-96	NUT		1	
16	541 20 47-80	WASHER		1	
17	505 63 30-01	LK WASH 5/16 SPLIT SS		1	
18	539 99 07-17	NUT		1	
19	510 27 17-03	ASSEMBLY		1	
20	505 48 45-01	PULLEY		1	

E SOFF CUT X4000
PUMP IDLER PULLEY

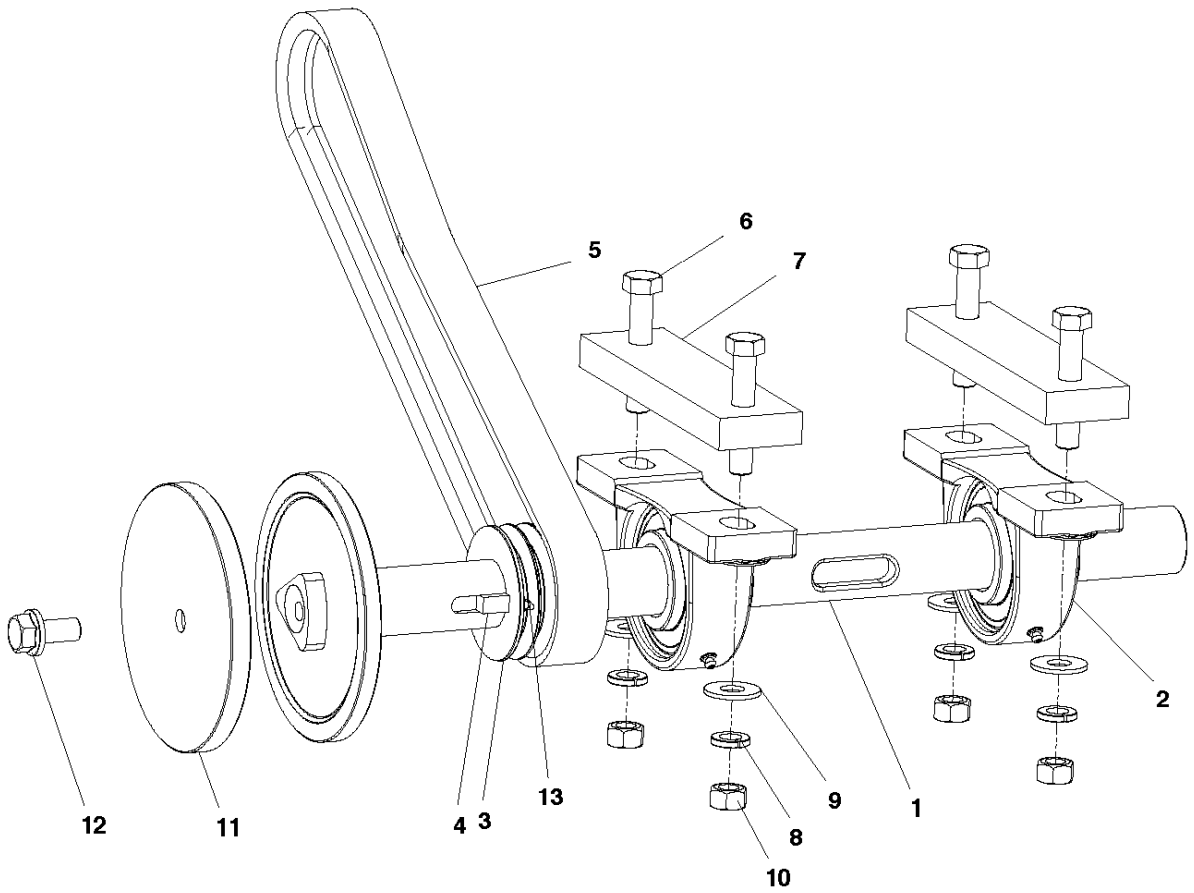


PUMP IDLER PULLEY

SOFF CUT 4000, 2015-10

Ref	Part No	Description	Remark	QTY	KIT
1	523 05 96-08	BOLT		1	19
2	505 65 48-01	BALL BEARING		1	19
3	505 81 59-02	BELT		1	19
4	523 05 94-02	SPACER		1	19
5	505 72 40-01	FLAT WASH 3/8 AN 960 WASHERS U		1	19
6	539 97 69-41	SCREW		1	20
7	505 73 10-01	LK WASH 3/8 SPLIT SS		1	20
8	542 20 62-05	SNAP RING		2	20
9	505 73 63-01	10"WHEEL/ BLK SEAL SINLE LIP		2	20
10	505 70 68-03	SHAFT. BLADE BELT TENSIONER (P		1	20
11	505 72 64-01	SHSB 5/16 X 3/4 BLK STL		1	
12	505 71 79-01	BUSHING.G.A.(.315 SPACER)		1	
13	505 72 78-01	HEX BOLT 5/16-24-1 1/2 CAD GR		1	
14	539 99 01-88	WASHER		2	
15	505 77 46-01	PUMP IDLER PULLEY SPRING		1	
16	505 72 52-01	WASHER		2	
17	505 73 28-01	5/16-24 HEX JAM NUT ZINC		1	
18	505 63 30-01	LK WASH 5/16 SPLIT SS		1	
19	505 85 99-02	KIT		1	
20	505 48 46-02	KIT		1	

F SOFF CUT X4000
BLADE SHAFT ASSEMBLY

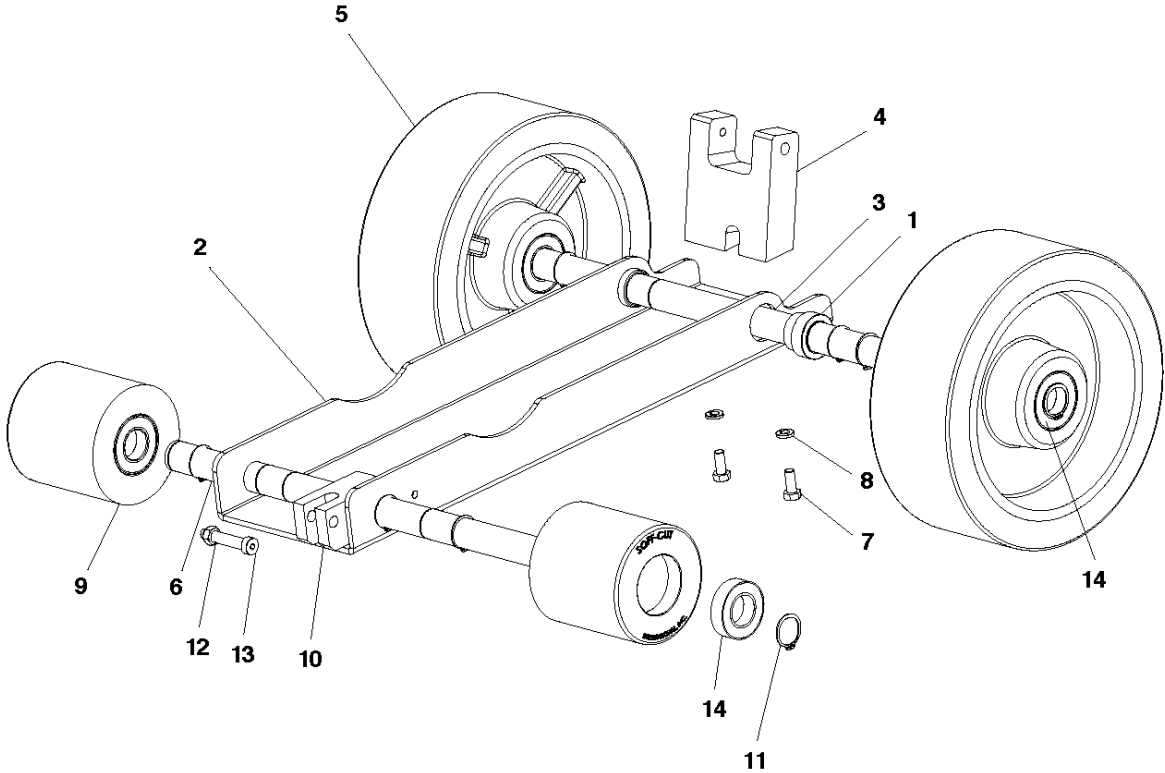


BLADE SHAFT

SOFF CUT 4000, 2015-10

Ref	Part No	Description	Remark	QTY KIT
1	505 57 32-04	SHAFT		1
2	505 83 41-01	BLADE SHAFT		2
3	587 92 98-01	PULLEY		1
4	510 32 69-01	KEY		1
5	505 48 39-02	BELT		1
6	505 72 71-01	HEX BOLT 1/2-20-2 3/4 GR 8		4
7	505 83 00-01	BEARING		2
8	505 73 11-01	LK WASH 1/2 SPLIT SS		4
9	505 73 14-01	FLAT WASH 1/2 X 1 1/4 O.D. S.S		4
10	541 20 48-36	NUT		4
11	505 49 15-05	WASHER		1
12	505 48 37-01	BOLT		1
13	542 02 05-51	SHSS, .3125-18 X .25 /CUP HK		3

G SOFF CUT X4000
FRONT WHEEL CARRIAGE

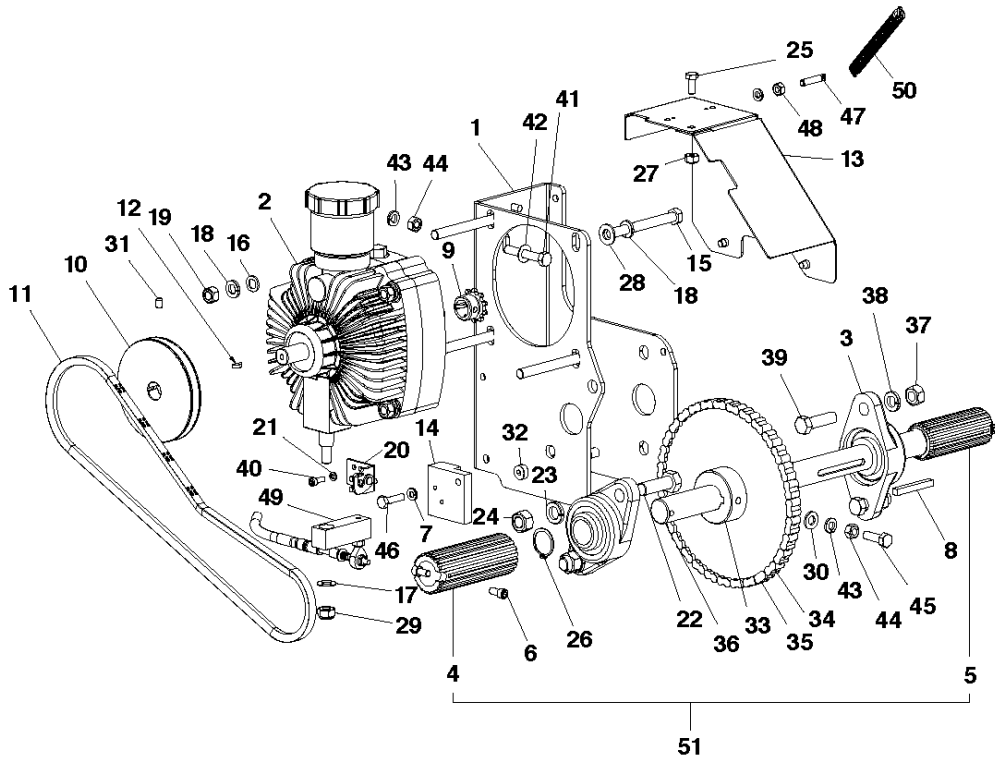


FRONT WHEEL CARRIAGE

SOFF CUT 4000, 2015-10

Ref	Part No	Description	Remark	QTY KIT
1	505 65 51-01	DELFIN BUSHING - AXLE		2
2	505 83 01-01	FRONTWHEEL CARRIAGE		1
3	505 82 99-01	AXLE		1
4	505 81 91-01	PUMP SUPPORT BLOCK		1
5	505 86 45-01	X2000/E/ X4000 REAR WHEEL		2
6	505 81 73-01	AXLE		1
7	539 97 69-34	SCREW		2
8	505 63 30-01	LK WASH 5/16 SPLIT SS		2
9	505 86 44-01	X2000/E/ X4000 FRONT WHEEL		2
10	505 83 10-02	ACTUATOR		1
11	542 20 62-05	SNAP RING		8
12	539 99 07-17	NUT		1
13	505 83 35-01	SHSB 3/8 X 1 1/2		1
14	505 73 63-01	10"WHEEL/ BLK SEAL SINLE LIP	2 pcs incl. In each wheel.	8

H SOFF CUT X4000
PUMP ASSEMBLY

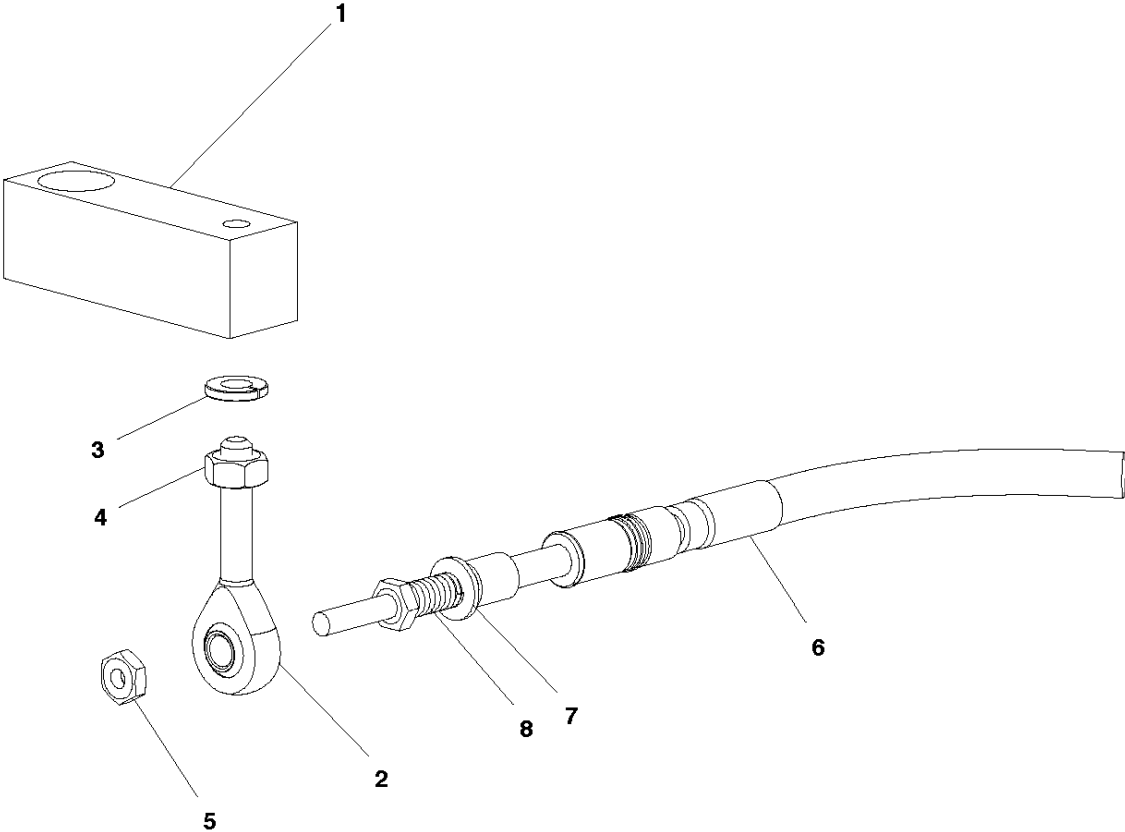


PUMP

SOFF CUT 4000, 2015-10

Ref	Part No	Description	Remark	QTY KIT
1	505 81 84-01	PUMP SUPPORT FRAME		1
2	505 73 83-01	HYDROSTATIC PUMP		1
3	505 68 98-01	BLADE SHAFT		2
4	505 71 51-01	DRIVER		1
5	505 71 52-01	DRIVER		1
6	505 72 23-01	SHC 1/4-20-1/2 S.S		1
7	505 63 28-01	LK WASH 1/4 SPLIT SS		5
8	539 91 02-10	KEY		1
9	587 65 99-01	SPROCKET		1
10	587 93 53-01	PULLEY		1
11	505 48 40-04	BELT		1
12	539 30 07-49	KEY, #3 WOODRUFF		2
13	505 81 85-01	PUMP COVER		1
14	510 34 31-01	BLOCK. CABLE MOUNT		1
15	539 30 08-70	NLA HCS 3/8-16 X 3-1/2 GR 5 ZN		4
16	505 72 40-01	FLAT WASH 3/8 AN 960 WASHERS U		4
17	505 63 42-01	FLAT WSHR.750 X .375 X .031 SS		1
18	505 73 10-01	LK WASH 3/8 SPLIT SS		8
19	539 99 01-30	NUT		4
20	505 66 64-01	BRACKET		1
21	505 63 31-01	LK WASH #10 SPLIT SS		2
22	505 82 11-01	HEX BOLT 1/2 - 13 X 1 1/2 GR 8		2
23	505 73 11-01	LK WASH 1/2 SPLIT SS		2
24	505 73 33-01	1/2-13 HEX NUT GOLD GR.8		2
25	505 62 74-01	HEX BOLT 1/4-20-5/8 S.S.		4
26	542 20 62-05	SNAP RING		4
27	539 97 69-78	NUT		2
28	539 99 05-17	WASHER		4
29	539 97 69-79	NUT		1
30	539 99 01-88	WASHER		1
31	542 02 05-41	SHSS,.25-20 X.375 CUP HK/CONCR		2
32	505 62 71-01	SHSH BOLT 3/8 X 5/8 BLK STL		2
33	505 72 94-01	SHC 10-24 X 1 1/4 STAINLESS S		1
34	505 86 46-01	X2000E&X750(ONLY) DRIVE CHAIN		1
35	505 73 96-01	CONNECTING LINK #35		1
36	505 83 08-01	PUMP SHAFT		1
37	505 73 26-01	NUT		2
38	505 73 12-01	LK WASH 7/16 SPLIT SS		2
39	505 82 14-01	HEX BOLT 7/16-14X 1 1/2 GR 8		2
40	505 72 96-01	SHC 10-32 X 1/2 S.S. CBL MTS		2
41	542 02 05-41	SHSS,.25-20 X.375 CUP HK/CONCR		1
42	505 72 52-01	WASHER		1
43	505 63 30-01	LK WASH 5/16 SPLIT SS		2
44	505 73 24-01	NUT		2
45	505 72 75-01	HEX BOLT 5/16-18-1 CAD GR 5		1
46	505 72 73-01	HEX BOLT 1/4-20-1 STAINLESS ST		1
47	505 77 45-01	SPRING ANCHORS		1
48	505 63 19-01	JAM NUT 1/4-20 STAINLESS STEEL		1
49	505 81 71-01	SPEED CONTROL ARM		1
50	505 73 73-01	SPRING		1
51	505 48 42-02	TUBE		1

J SOFF CUT X4000
KIT - SPEED CONTROL

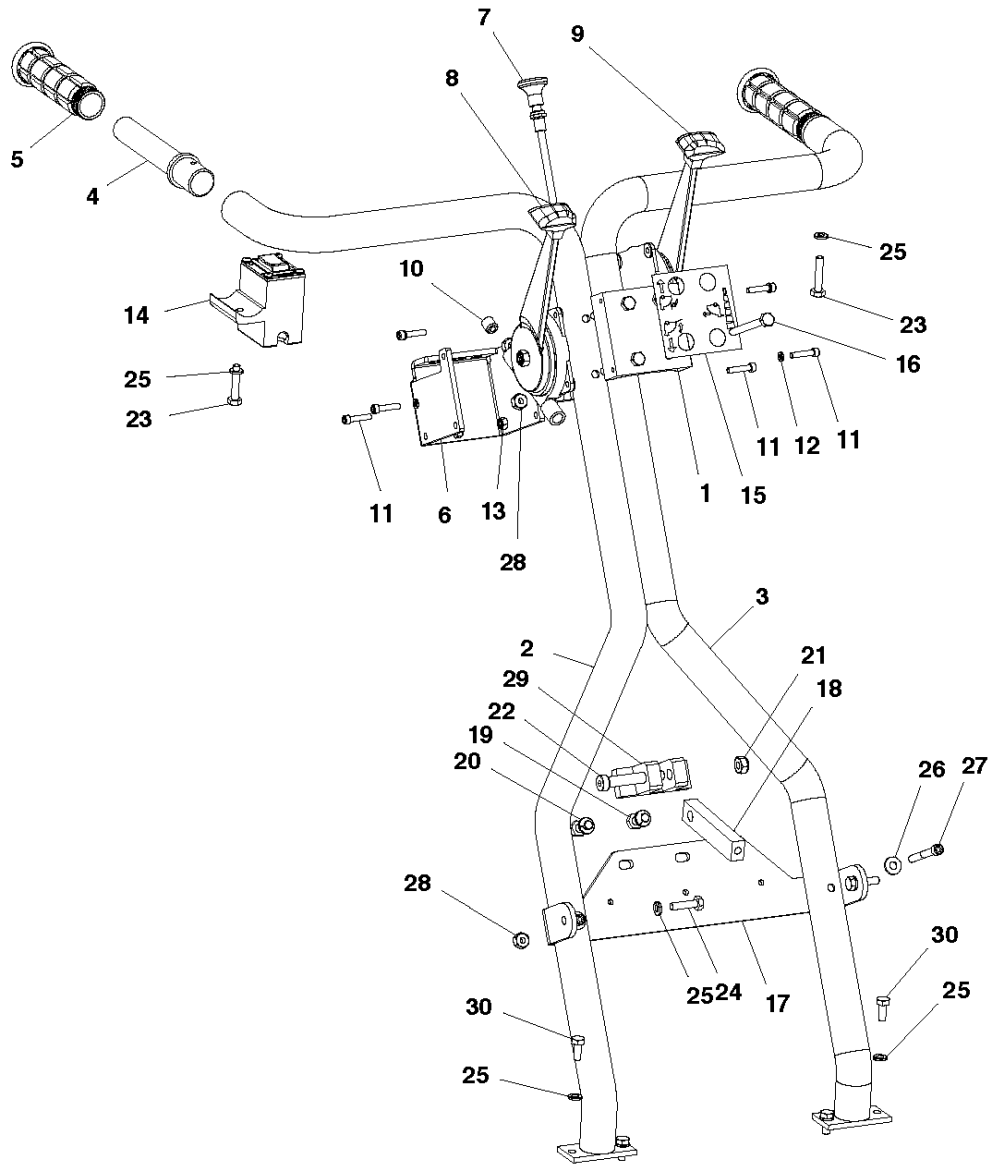


SPEED CONTROL

SOFF CUT 4000, 2015-10

Ref	Part No	Description	Remark	QTY KIT
1	505 81 71-01	SPEED CONTROL ARM		1
2	505 74 34-01	ROD END 1/4" PLATED		1
3	505 63 28-01	LK WASH 1/4 SPLIT SS		1
4	505 73 29-01	1/4-28 HEX JAM NUT ZINC		1
5	505 73 30-01	NUT		1
6	505 82 30-01	CONTROL CABLE		1
7	505 63 53-01	FLAT WASH #10 S.S		1
8	510 34 44-01	SPRING. SPEED CONTROL		1

K SOFF CUT X4000
HANDLE ASSEMBLY

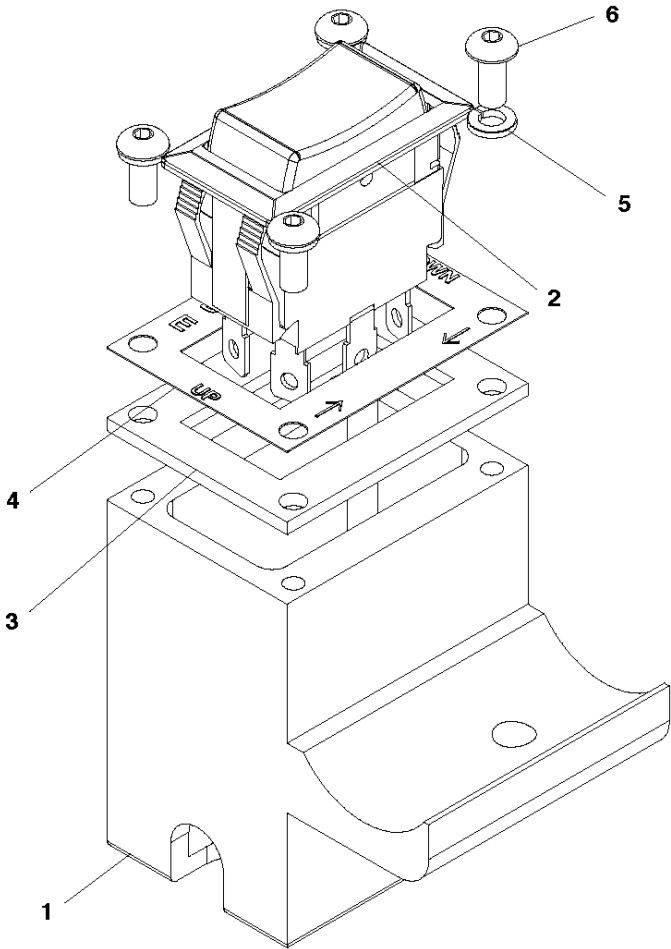


HANDLE

SOFF CUT 4000, 2015-10

Ref	Part No	Description	Remark	QTY KIT
1	505 82 92-01	HANDLE/CONTROL BLOCK		2
2	505 82 93-01	HANDLE		1
3	505 82 94-01	HANDLE		1
4	505 82 91-01	HANDLE		2
5	505 60 11-01	HANDLE GRIP		2
6	505 81 68-01	CONTROL MOUNT BRACKET		1
7	505 82 73-01	THROTTLE CABLE		1
8	505 82 36-01	CONTROL LEVER		1
9	505 82 36-01	CONTROL LEVER		1
10	505 82 24-01	SET SCREW 7/16-20X1/2		2
11	505 77 28-01	SHC 10-32 X 7/8 SS		6
12	505 63 31-01	LK WASH #10 SPLIT SS		4
13	505 82 22-01	NYLOC NUT 10-32 S.S.		2
14	505 83 16-01	ACTUATOR		1
15	510 34 13-01	STICKER. LABEL CONTROL		1
16	505 72 80-01	HEX BOLT 1/4-20-2 3/4 ALL THRD		4
17	505 83 06-01	BRACKET. TRANS PLATE		1
18	505 83 09-01	PUMP RELEASE ARM		1
19	539 97 69-34	SCREW		2
20	505 63 30-01	LK WASH 5/16 SPLIT SS		2
21	539 99 07-17	NUT		1
22	505 77 15-01	SHSB 3/8 X 1 3/4		1
23	505 72 83-01	HEX BOLT 1/4-20 X 1 1/4" ALL T		2
24	505 68 69-01	HEX BOLT 1/4-20 X 1 GRADE 8		2
25	505 63 28-01	LK WASH 1/4 SPLIT SS		8
26	505 63 20-01	WASHER		2
27	505 72 89-01	SHC 1/4-20-2 S.S.		2
28	539 97 69-78	NUT		6
29	505 75 69-01	ACTUATOR		1
30	505 62 74-01	HEX BOLT 1/4-20-5/8 S.S.		4

L SOFF CUT X4000
KIT - ACTUATOR SWITCH

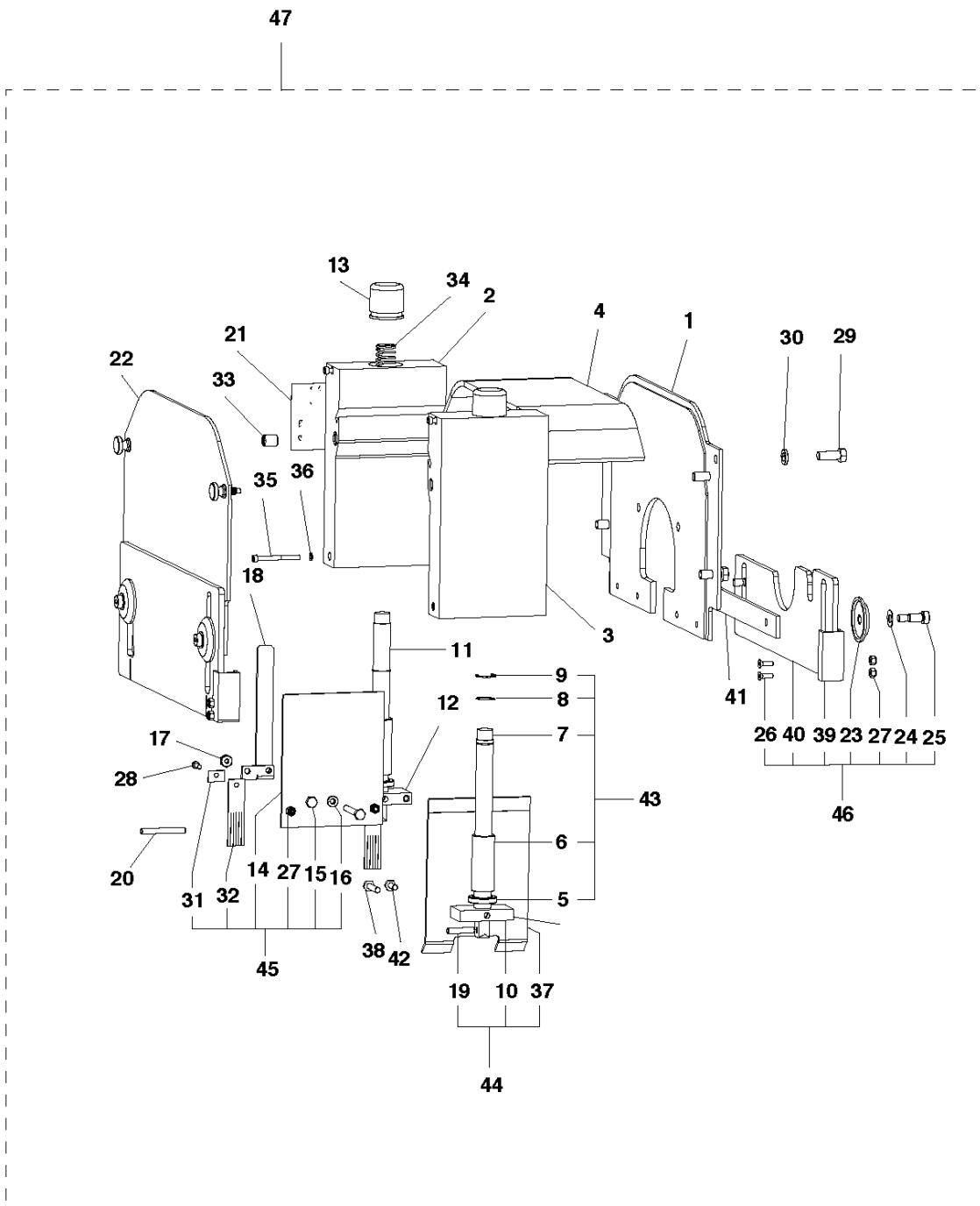


ACTUATOR SWITCH

SOFF CUT 4000, 2015-10

Ref	Part No	Description	Remark	QTY KIT	
1	505 83 16-01	ACTUATOR	From page K	1	
2	505 75 07-01	ACTUATOR		1	1
3	505 83 15-01	ACTUATOR		1	1
4	510 34 42-01	ACTUATOR		1	1
5	505 63 27-01	LK WASH #8 SPLIT S.S.		4	1
6	505 62 93-01	BHS 8-32-3/8 S.S.		4	1

M SOFF CUT X4000
BLADE HOUSING

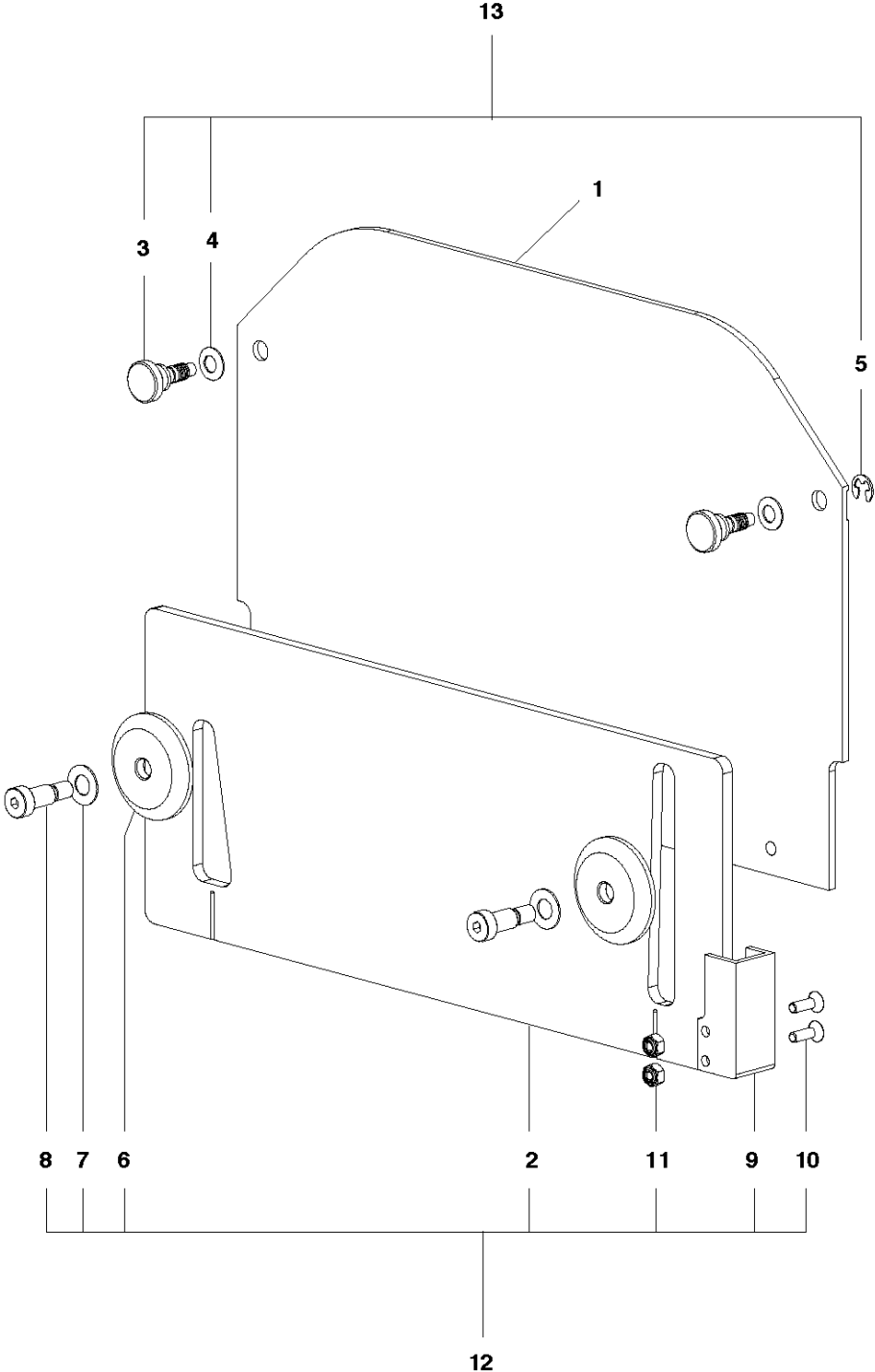


BLADE HOUSING

SOFF CUT 4000, 2015-10

Ref	Part No	Description	Remark	QTY	KIT
1	505 82 79-01	B.B. COVER REAR		1	47
2	505 82 77-01	B.B. REAR BLOCK		1	47
3	505 82 78-01	B.B. FRONT BLOCK		1	47
4	505 82 85-01	B.B. COVER TOP		1	47
5	505 73 80-01	SEAL DUST		2	43, 47
6	505 66 78-01	GX4200 3/4 X 1 X 2 1/2 BUSHING		2	43, 47
7	505 82 83-01	B.B. SHAFT FRONT		1	43, 47
8	541 40 14-72	RING		2	43, 47
9	505 73 36-01	SNAP RING		1	43, 47
10	505 83 98-01	BLOCK. SHAFT. COLLAR. BB		1	44, 47
11	505 82 84-01	B.B. SHAFT REAR		1	47
12	505 66 49-01	BLOCK. SHAFT COLAR. B.B.		1	47
13	505 83 14-01	B.B. CAP		2	47
14	505 82 88-01	REAR DIVERTER		1	45, 47
15	505 72 81-01	HEX BOLT 1/4-20-2 S.S. ALL THR		2	45, 47
16	505 63 28-01	LK WASH 1/4 SPLIT SS		3	45, 47
17	505 63 07-01	NYLOC NUT 1/4-20 .218"HT.		1	47
18	505 83 17-01	DEPTH GAUGE ARM		1	47
19	505 77 40-01	PRECISION DOW PIN 1/4 X 1 1/4		1	44, 47
20	587 91 82-01	PIN		1	47
21	510 34 38-01	STICKER. DEPTH GAUGE		1	47
22	505 88 68-01	BLADE BLOCK COVER. X4000		1	47
23	505 76 17-01	WASHER		2	46, 47
24	505 63 42-01	FLAT WSHR.750 X .375 X .031 SS		2	46, 47
25	505 62 71-01	SHSH BOLT 3/8 X 5/8 BLK STL		2	46, 47
26	505 73 02-01	FHS 10-24-5/8 S.S.		2	46, 47
27	505 63 04-01	NYLOC NUT #10-24 CAD.PL.		4	45,46,47
28	505 77 24-01	10-24 X 1/2 SHC SS		2	47
29	505 83 31-01	HEX BOLT 3/8 - 16 X 1 S.S.		6	47
30	505 73 10-01	LK WASH 3/8 SPLIT SS		6	47
31	505 76 91-01	MTG. BAR FOR RUBBER FLAPS SML		2	45, 47
32	505 76 92-01	SMALL DUST FLAP		2	45, 47
33	505 74 83-01	THREADED INSERT S.S.		2	47
34	505 79 07-01	BLADE BLOCK SPRINGS/GX4000		2	47
35	505 83 37-01	HALF TREAD SHC 10-32 X 2 S.S.		4	47
36	505 63 31-01	LK WASH #10 SPLIT SS		2	47
37	505 82 86-01	FRONT DIVERTER		1	44, 47
38	505 72 83-01	HEX BOLT 1/4-20 X 1 1/4" ALL T		1	47
39	505 81 93-01	INNER DIVERTER CHANNEL		1	46, 47
40	505 82 81-01	INNER LEXAN		1	46, 47
41	505 83 20-01	SPACER		1	47
42	505 62 74-01	HEX BOLT 1/4-20-5/8 S.S.		1	47
43	505 88 73-01	X4000 FRONT BLADE BLOCK SHAFT		1	47
44	505 88 75-01	X4000 FRONT DIVERTER PLATE KIT		1	47
45	505 88 76-01	X4000 REAR DIVERTER PLATE KIT		1	47
46	505 88 69-01	INNER LEXAN. X4000		1	47
47	510 27 21-03	ASSEMBLY		1	

N SOFF CUT X4000
BLADE BLOCK COVER

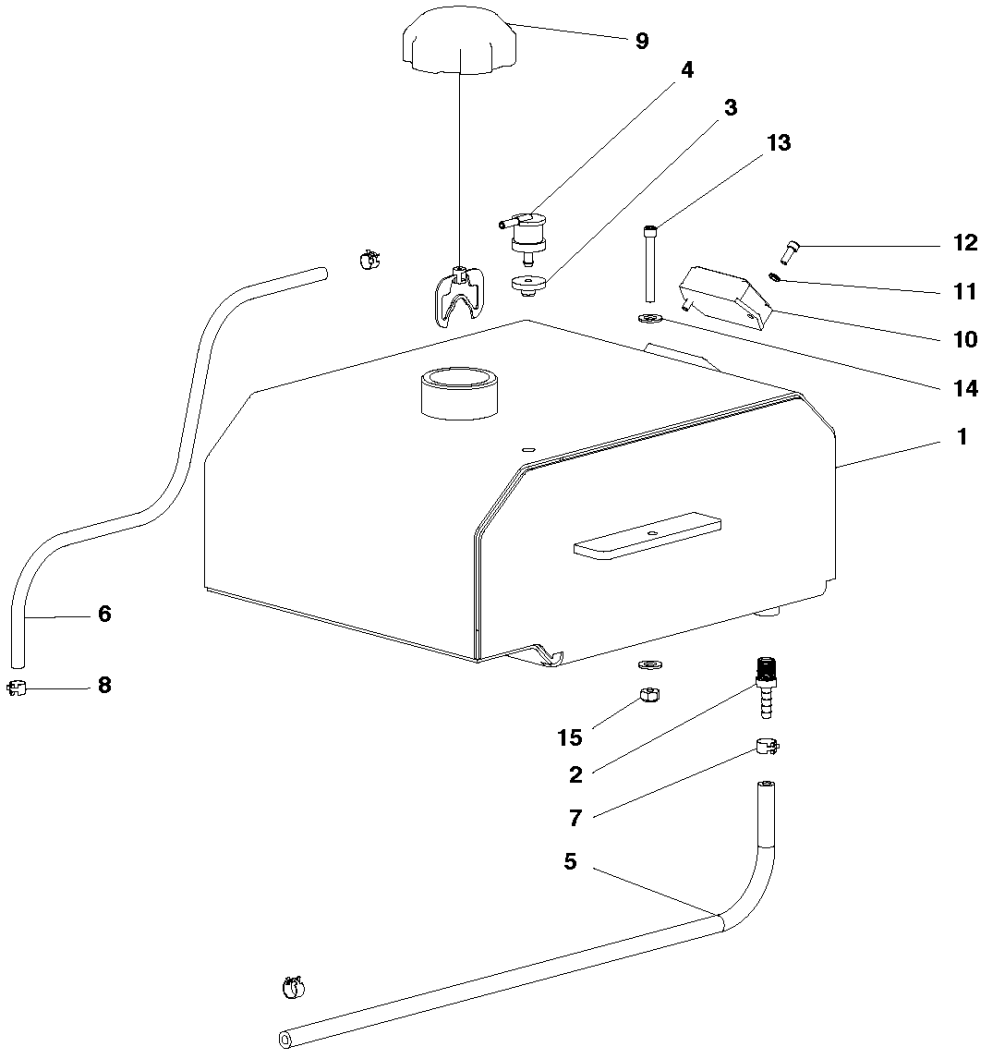


COVER

SOFF CUT 4000, 2015-10

Ref	Part No	Description	Remark	QTY	KIT
1	505 82 80-01	B.B. COVER FRONT		1	
2	505 82 82-01	OUTER LEXAN		1	12
3	505 53 63-01	KNOB		2	
4	505 53 64-01	WASHER		2	
5	505 53 65-01	E-CLIP		2	
6	505 76 17-01	WASHER		2	12
7	505 63 42-01	FLAT WSHR.750 X .375 X .031 SS		2	12
8	505 62 71-01	SHSH BOLT 3/8 X 5/8 BLK STL		2	12
9	505 81 94-01	OUTER DIVERTER CHANNEL		1	12
10	505 73 02-01	FHS 10-24-5/8 S.S.		2	12
11	505 63 04-01	NYLOC NUT #10-24 CAD.PL.		2	12
12	505 88 71-01	OUTER LEXAN. X4000		1	
13	505 48 29-01	KNOB	Kit, Blade Cover Knobs 2 pcs	1	

P SOFF CUT X4000
FUEL TANK ASSEMBLY

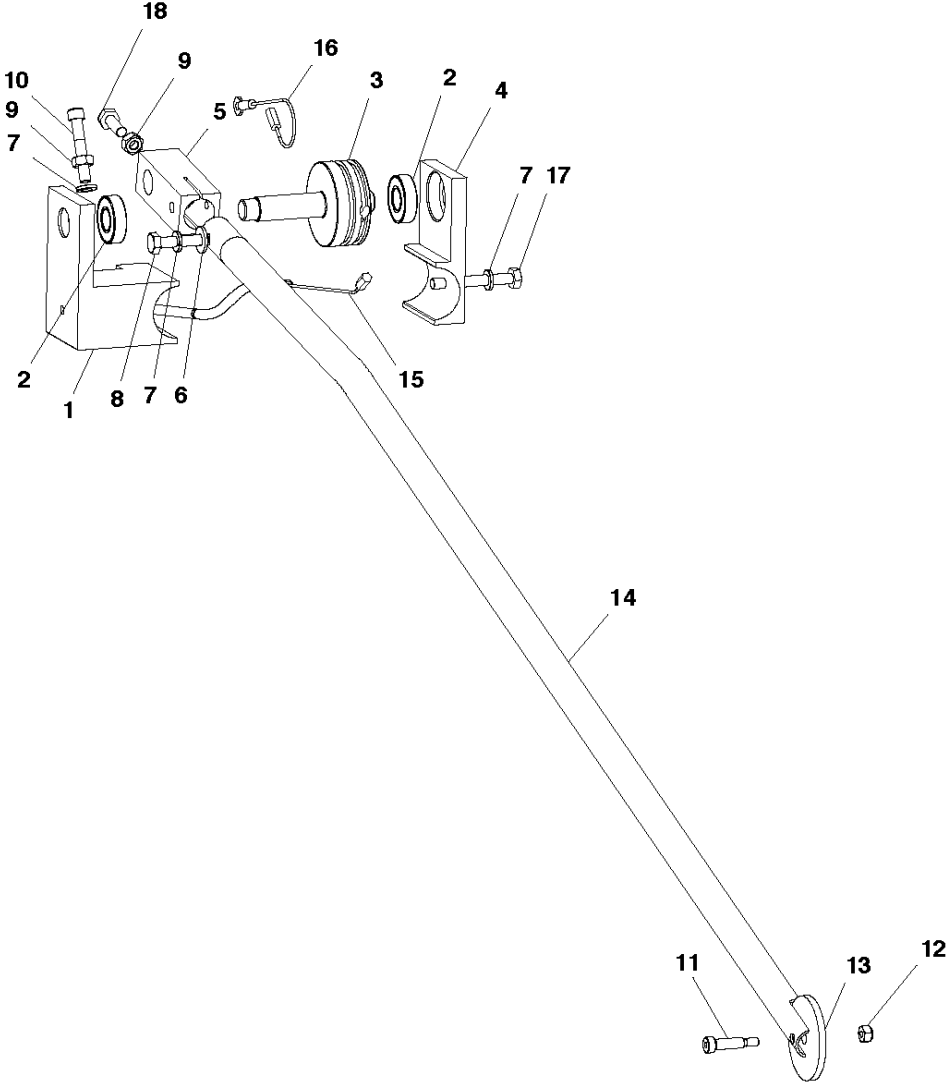


FUEL TANK

SOFF CUT 4000, 2015-10

Ref	Part No	Description	Remark	QTY KIT
1	578 28 74-01	KIT		1
2	541 20 47-99	FITTING		1
3	576 61 82-01	GROMMET		2
4	576 61 81-01	VALVE		2
5	523 05 08-01	HOSE		2
6	523 05 08-13	HOSE		2
7	577 81 35-01	CLAMP		2
8	577 81 35-02	CLAMP		2
9	586 02 73-01	CAP		1
10	505 81 43-01	HOUR METER		1
11	505 63 31-01	LK WASH #10 SPLIT SS		2
12	505 72 96-01	SHC 10-32 X 1/2 S.S. CBL MTS		2
13	505 72 89-01	SHC 1/4-20-2 S.S.		2
14	505 72 55-01	FLAT WASH 1/4 PFC9 SAE ZINC		4
15	539 97 69-78	NUT		2

Q SOFF CUT X4000
GUIDE ARM ASSEMBLY

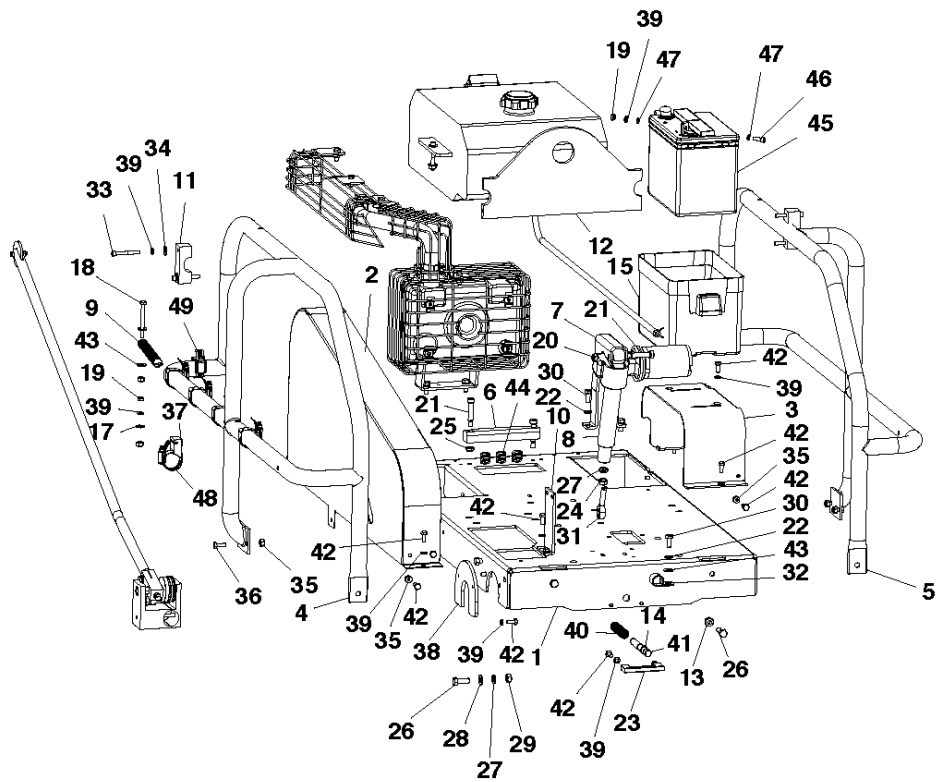


GUIDE ARM ASSEMBLY

SOFF CUT 4000, 2015-10

Ref	Part No	Description	Remark	QTY KIT
1	505 81 64-01	PULLEY MOUNTING BLOCK LARGE		1
2	505 65 48-01	BALL BEARING		2
3	505 81 61-01	GUIDE		1
4	505 81 63-01	PULLEY MOUNTING BLOCK SMALL		1
5	505 81 62-01	GUIDE ARM MOUNTING BLOCK		1
6	505 63 20-01	WASHER		1
7	505 63 28-01	LK WASH 1/4 SPLIT SS		3
8	505 72 83-01	HEX BOLT 1/4-20 X 1 1/4" ALL T		1
9	505 63 19-01	JAM NUT 1/4-20 STAINLESS STEEL		2
10	505 72 88-01	SHC 1/4-20-1 1/2 S.S.		1
11	505 72 58-01	SHSB 1/4 X 3/4 BLK STL		1
12	505 63 04-01	NYLOC NUT #10-24 CAD.PL.		1
13	505 61 42-01	G.M.WHEEL (YEL)		1
14	505 82 89-01	GUIDE		1
15	505 82 31-01	GUIDE		1
16	505 82 33-01	CABLE		1
17	505 72 81-01	HEX BOLT 1/4-20-2 S.S. ALL THR		1
18	505 62 75-01	HEX BOLT 1/4-20-3/4 S.S.		1

R SOFF CUT X4000
MAINFRAME



MAINFRAME

SOFF CUT 4000, 2015-10

Ref	Part No	Description	Remark	QTY KIT
1	505 83 03-01	BOTTOM PLATE		1
2	505 83 07-01	BELT GUARD		1
3	505 81 78-01	WHEEL COVER		1
4	505 83 04-01	ROLLCAGE RIGHT		1
5	505 83 05-01	ROLLCAGE LEFT		1
6	505 83 19-01	NEW SPRING BLOCK		1
7	505 83 11-02	ACTUATOR		1
8	505 79 11-02	BLADE		1
9	505 73 73-01	SPRING		1
10	505 83 02-01	SPRING MOUNT BRACKET		1
11	505 82 98-01	GAS TANK MOUNTING BLOCK		2
12	574 28 63-01	LIFTING PLATE		1
13	539 97 69-79	NUT		2
14	505 64 78-01	1/2" SNAP RING		1
15	505 83 60-01	BATTERY COVER		1
17	505 63 20-01	WASHER		1
18	505 72 80-01	HEX BOLT 1/4-20-2 3/4 ALL THRD		1
19	505 63 19-01	JAM NUT 1/4-20 STAINLESS STEEL		2
20	539 99 07-17	NUT		1
21	505 83 35-01	SHSB 3/8 X 1 1/2		3
22	505 63 30-01	LK WASH 5/16 SPLIT SS		3
23	505 71 42-01	GUARD ARBOR LOCK SHAFT		1
24	542 02 01-71	MUTTER/		1
25	505 63 17-01	NYLOC NUT 5/16-18 .265"HT.		2
26	505 83 31-01	HEX BOLT 3/8 - 16 X 1 S.S.		6
27	505 73 10-01	LK WASH 3/8 SPLIT SS		5
28	539 99 05-17	WASHER		2
29	505 83 86-01	JAM NUT 3/8-16 S.S.		2
30	539 97 69-34	SCREW		3
31	542 16 66-90	BALL		1
32	505 77 58-01	HOSE CLAMP		1
33	505 72 89-01	SHC 1/4-20-2 S.S.		4
34	505 72 55-01	FLAT WASH 1/4 PFC9 SAE ZINC		4
35	505 63 05-01	NYLOC NUT 1/4-20 CAD PL.		12
36	505 62 75-01	HEX BOLT 1/4-20-3/4 S.S.		4
37	505 81 92-01	CABLE MOUNT BLOCK		1
38	505 81 57-01	BELT		1
39	505 63 28-01	LK WASH 1/4 SPLIT SS		19
40	505 83 42-01	SPRING		1
41	505 81 69-01	ARBOR LOCK SHAFT		1
42	505 62 74-01	HEX BOLT 1/4-20-5/8 S.S.		19
43	539 99 01-88	WASHER		3
44	505 82 40-01	SPRING		3
45	505 78 62-01	G3000 SEALED AGM BAT		1
46	505 62 78-01	SHC 1/4-20-3/4 S.S.		1
47	505 73 18-01	LK WASH 1/4 EXT TOOTH		2
48	505 82 25-01	CLAMP		1
49	505 83 43-01	CLAMP		5