

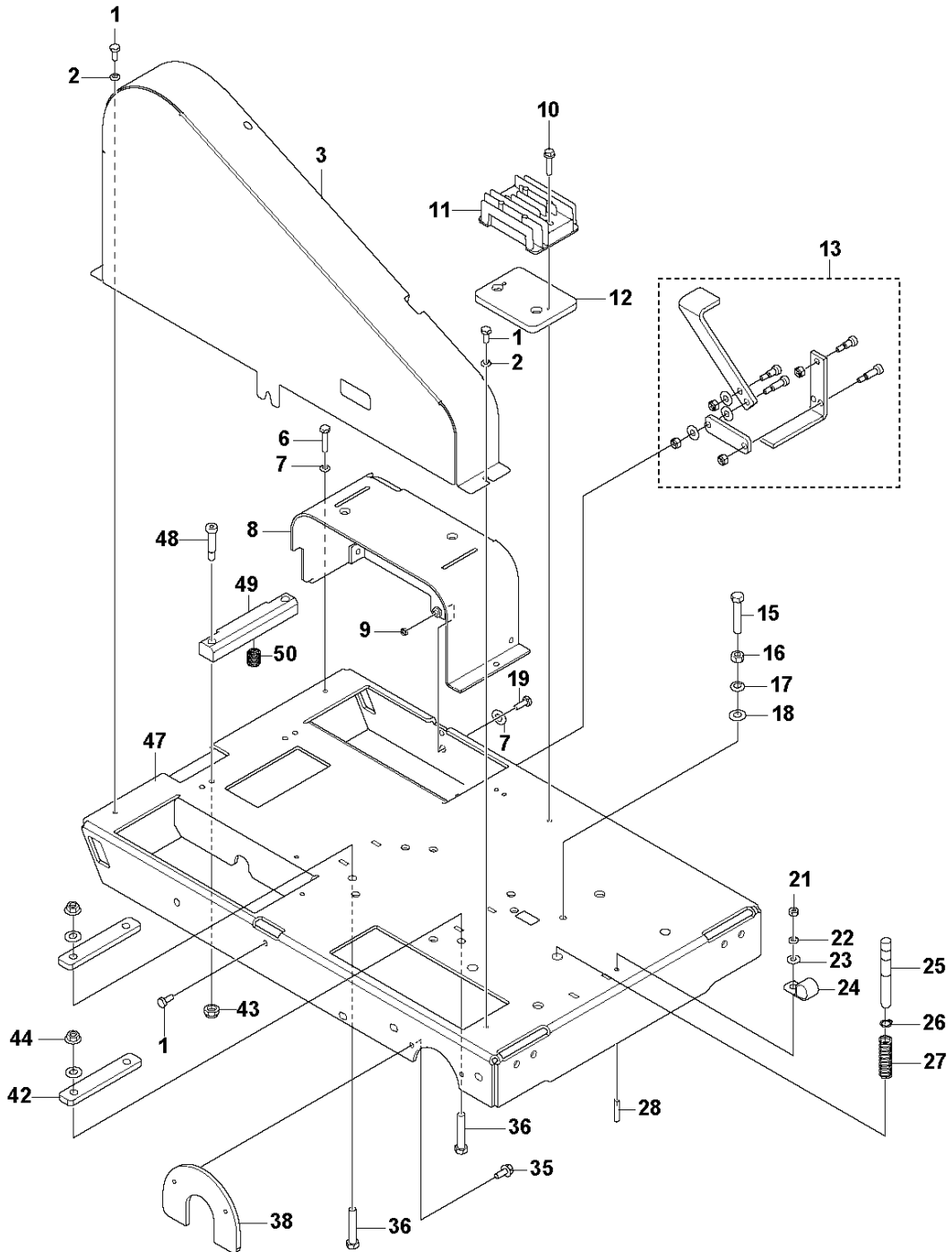


SPARE PARTS LIST

EARLY ENTRY SAWS

SOFF CUT 2000

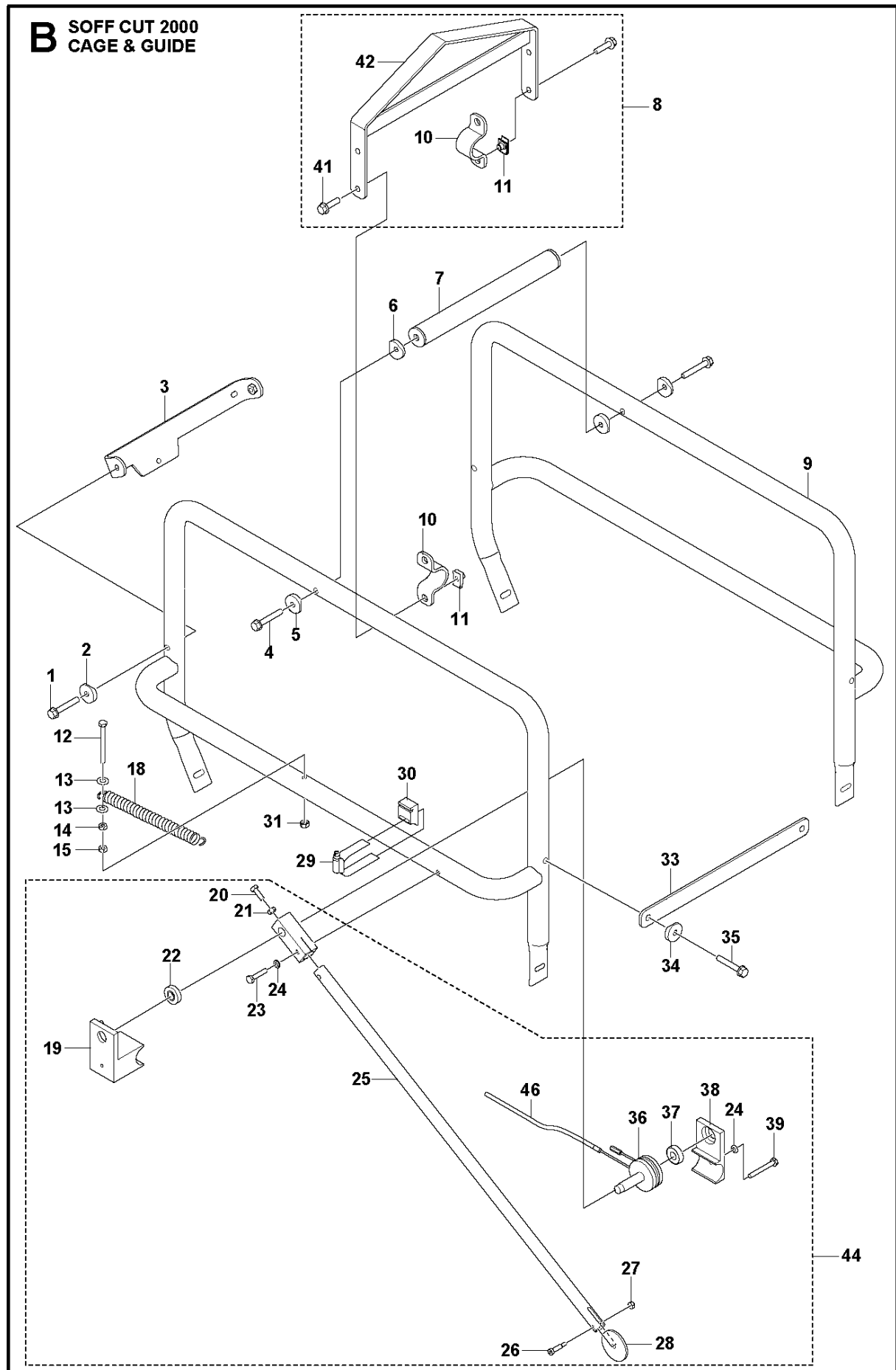
A SOFF CUT 2000
FRAME



FRAME

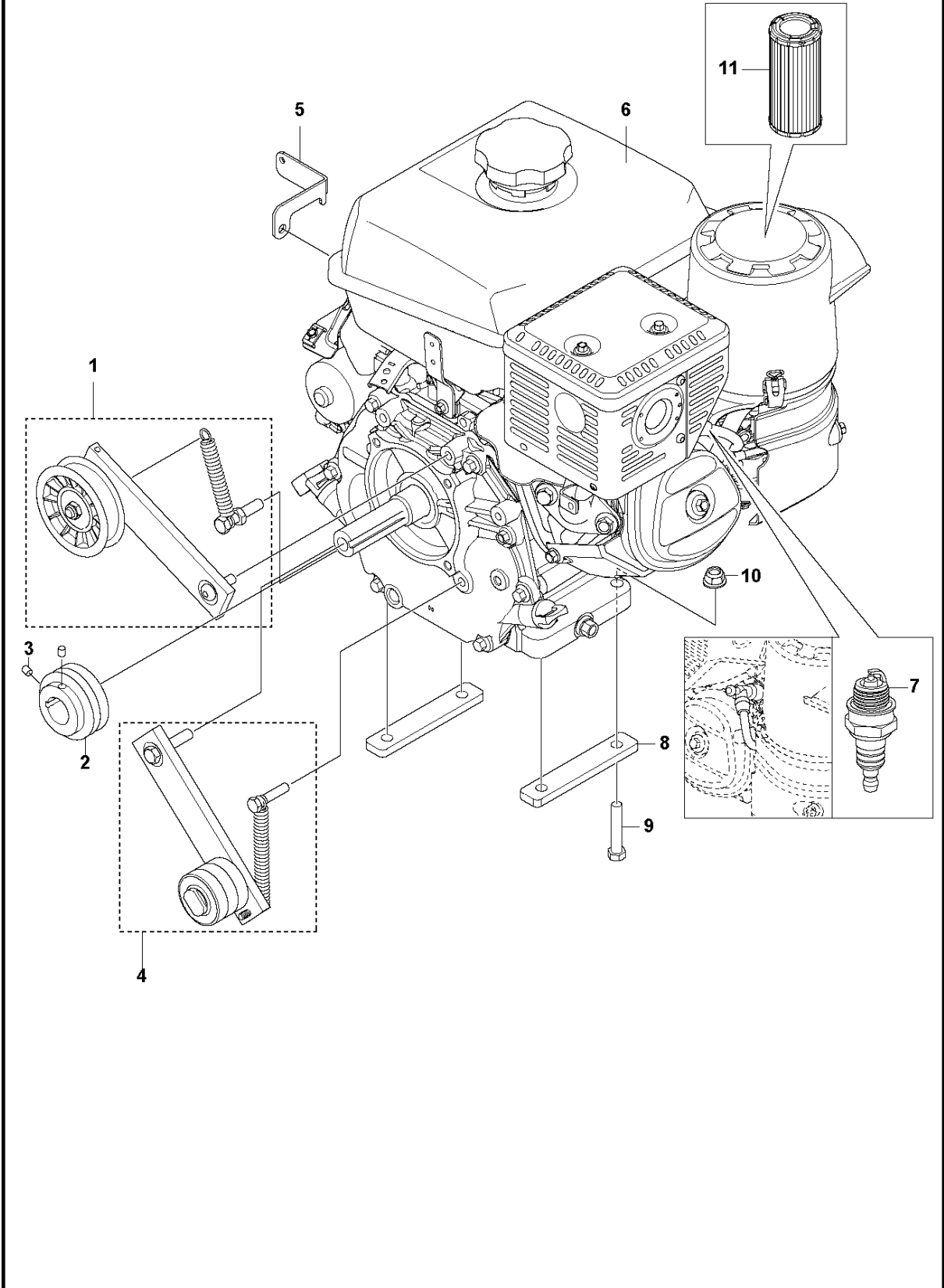
SOFF CUT 2000

Ref	Part No	Description	Remark	QTY KIT
1	505 62 74-01	BOLT		3
2	505 63 28-01	WASHER		2
3	582 02 43-01	BELT GUARD		1
6	505 92 75-01	SPARE PARTS		2
7	505 63 28-01	WASHER		3
8	505 81 78-01	WHEEL COVER		1
9	539 97 69-78	NUT		1
10	725 23 74-71	SCREW EHHM		2
11	505 82 58-01	REGULATOR		1
12	591 37 58-01	PLATE		1
13	529440901	TBD		1
15	505 83 31-01	BOLT		1
16	505 83 86-01	NUT		1
17	505 73 10-01	WASHER		5
18	505 72 46-01	FLAT WASH 3/8 STL CAD		10
19	505 62 74-01	BOLT		1
21	505 63 19-01	NUT		4
22	505 63 28-01	WASHER		1
23	505 63 20-01	WASHER		4
24	505 74 87-01	CBL CLAMP 3/8"		3
25	505 81 69-01	SHAFT		1
26	505 64 78-01	SNAP RING		1
27	505 83 42-01	SPRING		1
28	505 77 45-01	ANCHOR		3
35	590 96 06-01	SCREW		2
38	505 81 57-01	BELT		1
42	501 07 99-01	PLATE		2
43	505 63 17-01	NUT		2
44	576 64 57-05	NUT FLANGE		4
47	582 10 07-01	FRAME ASSY		1
48	505 83 35-01	BOLT		2
49	505 83 19-01	BLOCK		1
50	505 82 40-01	SPRING		3



Ref	Part No	Description	Remark	QTY	KIT
1	503 20 00-31	SCREW EHHFM		6	
2	542 20 21-84	WASHER		8	
3	591 37 59-01	BRACKET		1	
7	589 57 96-01	PIPE ASSY		1	
8	529 34 65-01	BAIL		1	
9	582 14 11-01	FRAME ASSY		1	
10	579 76 26-01	LOCKING PLATE		2	8
11	542 16 75-55	NUT		4	8
12	505 72 80-01	BOLT		1	
13	539 99 01-88	WASHER		2	
14	539 97 69-78	NUT		2	
15	505 63 19-01	NUT		2	
18	505 73 73-01	SPRING		1	
19	505 81 64-01	BLOCK		1	44
20	505 62 75-01	BOLT		1	44
22	505 65 48-01	BALL BEARING		2	44
23	505 72 83-01	BOLT		1	44
24	505 63 28-01	WASHER		2	44
25	505 67 73-01	GUIDE		1	44
26	505 72 58-01	BOLT		1	44
27	505 63 04-01	NUT		1	44
28	505 61 42-01	DISC		1	44
29	505 82 25-01	CLAMP		1	
30	505 81 92-01	BLOCK		1	
33	591 37 57-01	REINFORCEMENT PLATE		1	
36	505 81 61-01	GUIDE		1	44
38	505 81 63-01	BLOCK		1	44
39	505 72 81-01	BOLT		1	44
40	582 14 03-01	FRAME ASSY		1	
41	585 97 28-01	SCREW EHHFM		2	8
42	579 76 25-01	BRACKET		1	8
44	529 34 66-01	GUIDE		1	
45	505 81 62-01	ARM		1	44
46	505 82 31-01	GUIDE		1	

C SOFF CUT 2000
ENGINE

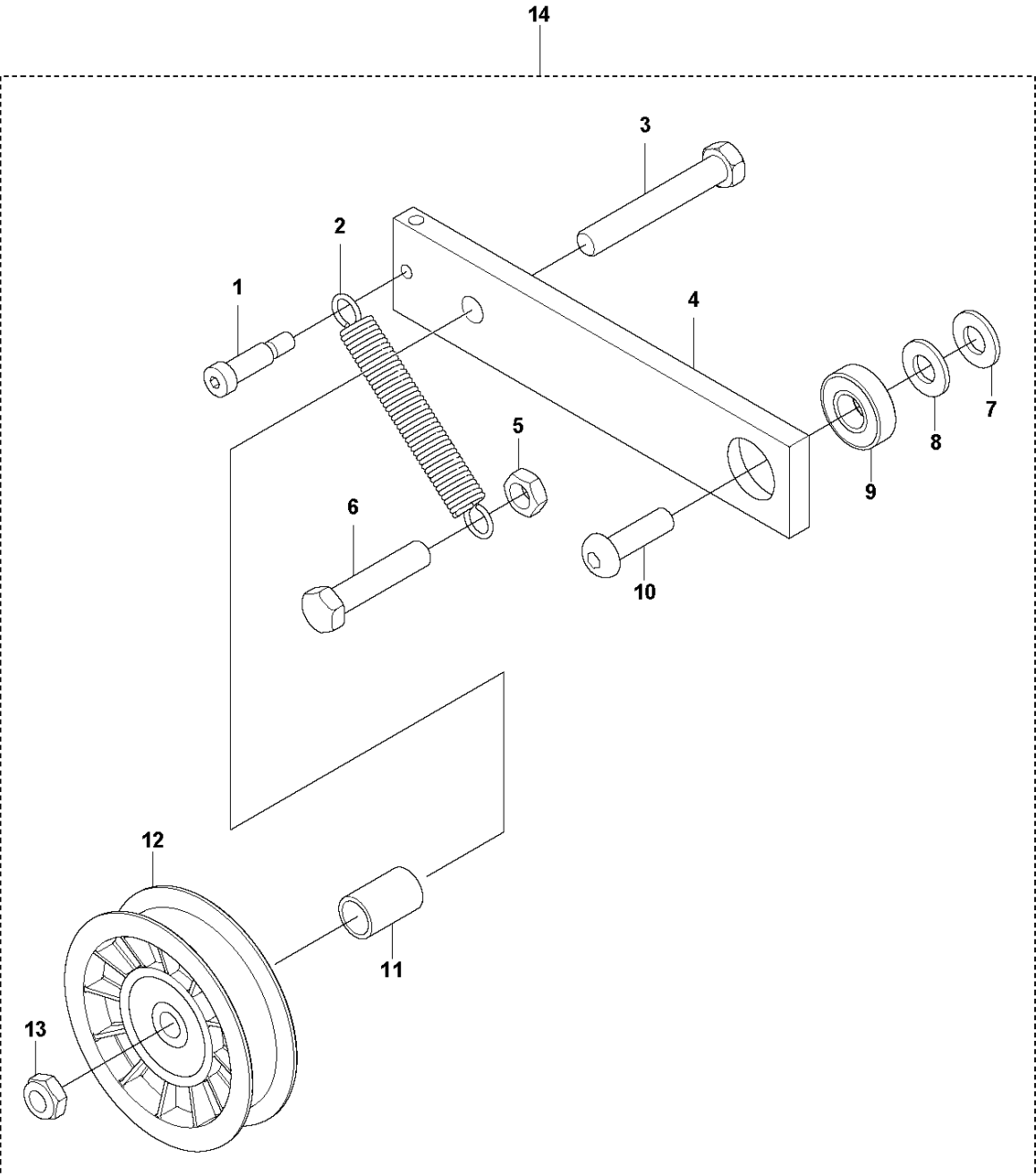


ENGINE

SOFF CUT 2000

Ref	Part No	Description	Remark	QTY KIT
2	542 13 96-83	PULLEY		1
3	542 02 05-68	SCREW		2
4	593 84 78-01	ARM		1
5	592 98 55-01	BRACKET		1
6	592 89 93-01	ENGINE		1
7	593 13 24-01	SPARK PLUG		1
8	501 07 99-01	PLATE		2
10	576 64 57-05	NUT FLANGE		4
11	598939201	TBD		1

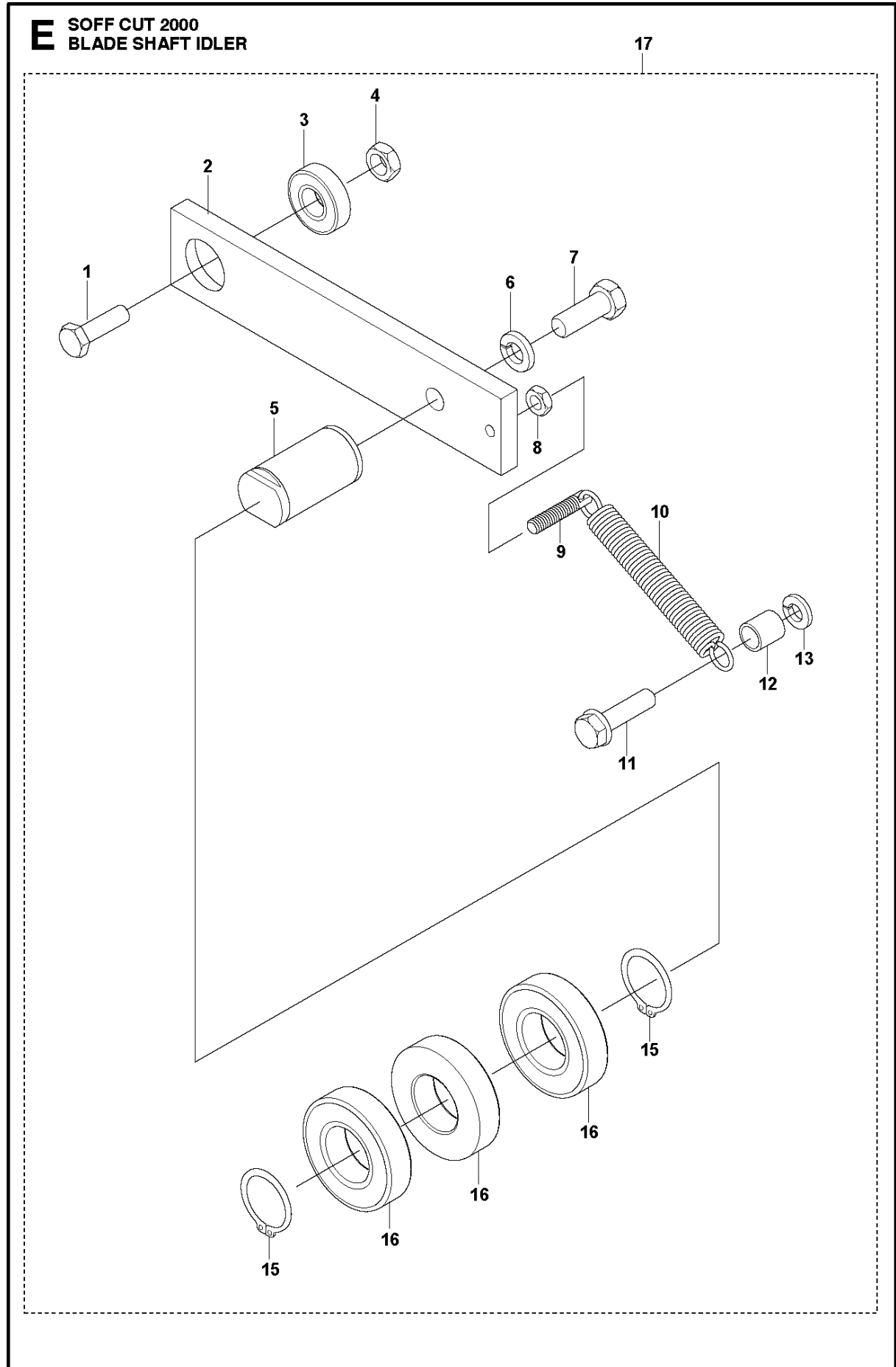
D SOFF CUT 2000
PUMP IDLER PULLEY



PUMP IDLER PULLEY

SOFF CUT 2000

Ref	Part No	Description	Remark	QTY	KIT
1	505 72 65-01	BOLT		1	14
2	542 19 91-28	SPRING		1	14
3	539 99 06-37	SCREW		1	14
4	594 06 03-01	ARM		1	14
5	539 99 01-30	NUT		1	14
6	539 97 69-49	BOLT		1	14
7	539 99 01-22	WASHER		1	14
8	539 99 01-22	WASHER		1	14
9	501 60 55-01	BALL BEARING		1	14
10	574 19 11-01	SCREW		1	14
11	593 83 34-01	SPACER		1	14
12	542 17 25-56	PULLEY ASSY		1	14
13	539 30 07-70	NUT		1	14
14	593 83 33-01	ARM		1	

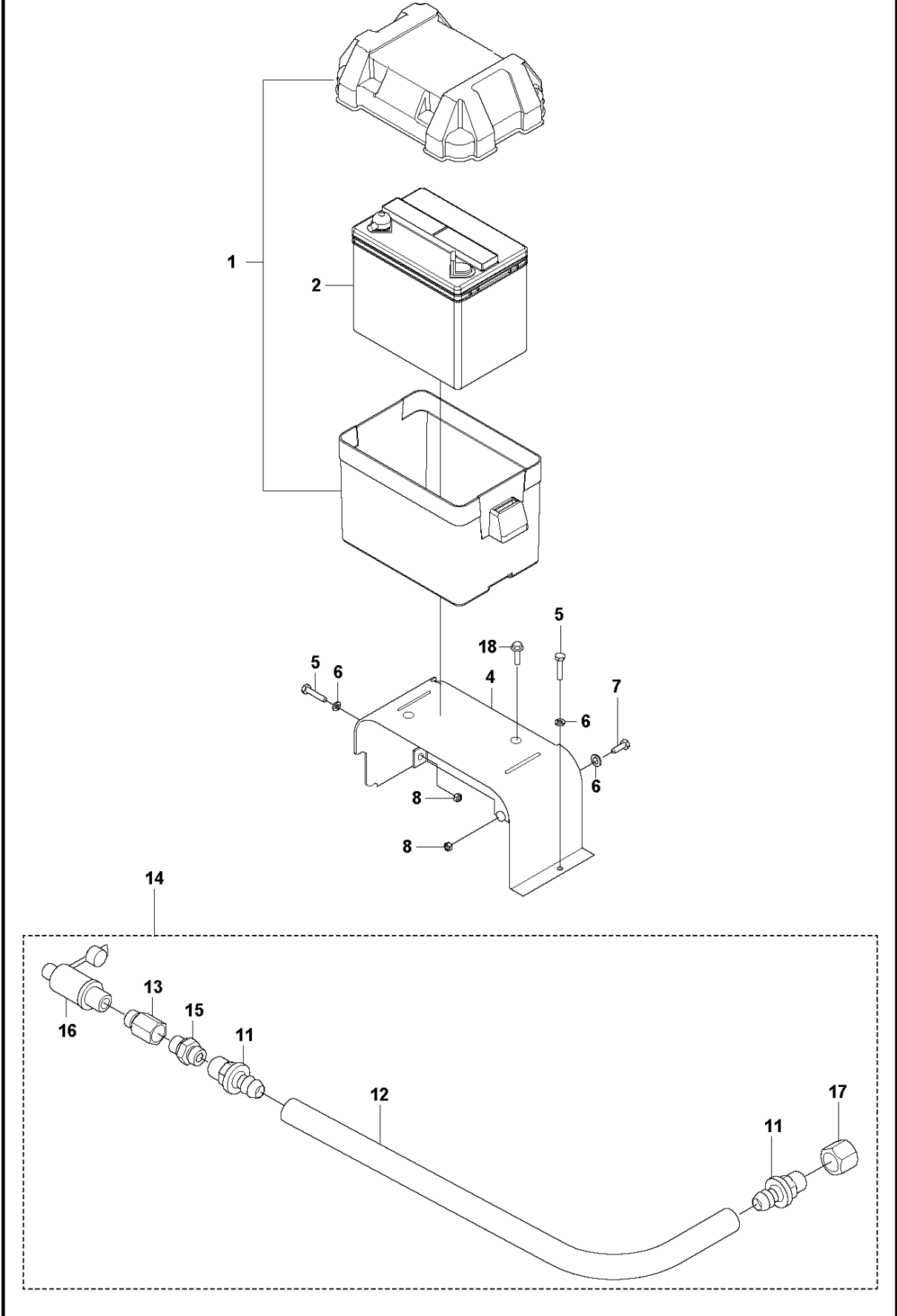


BLADE SHAFT IDLER

SOFF CUT 2000

Ref	Part No	Description	Remark	QTY	KIT
1	539 97 69-49	BOLT		1	17
2	594 06 03-01	ARM		1	17
3	501 60 55-01	BALL BEARING		1	17
4	542 02 01-33	NUT		1	17
5	505 70 68-01	BLADE		1	17
6	505 73 10-01	WASHER		1	17
7	539 99 05-63	SCREW		1	17
8	505 73 28-01	NUT		1	17
9	505 77 45-01	ANCHOR		1	17
10	542 13 91-02	SPRING		1	17
11	505 72 78-01	BOLT		1	17
12	505 71 79-01	BUSHING		1	17
13	505 63 42-01	WASHER		1	17
15	542 20 62-05	SNAP RING		2	17
16	505 73 63-01	WHEEL		3	17
17	593 84 78-01	ARM		1	

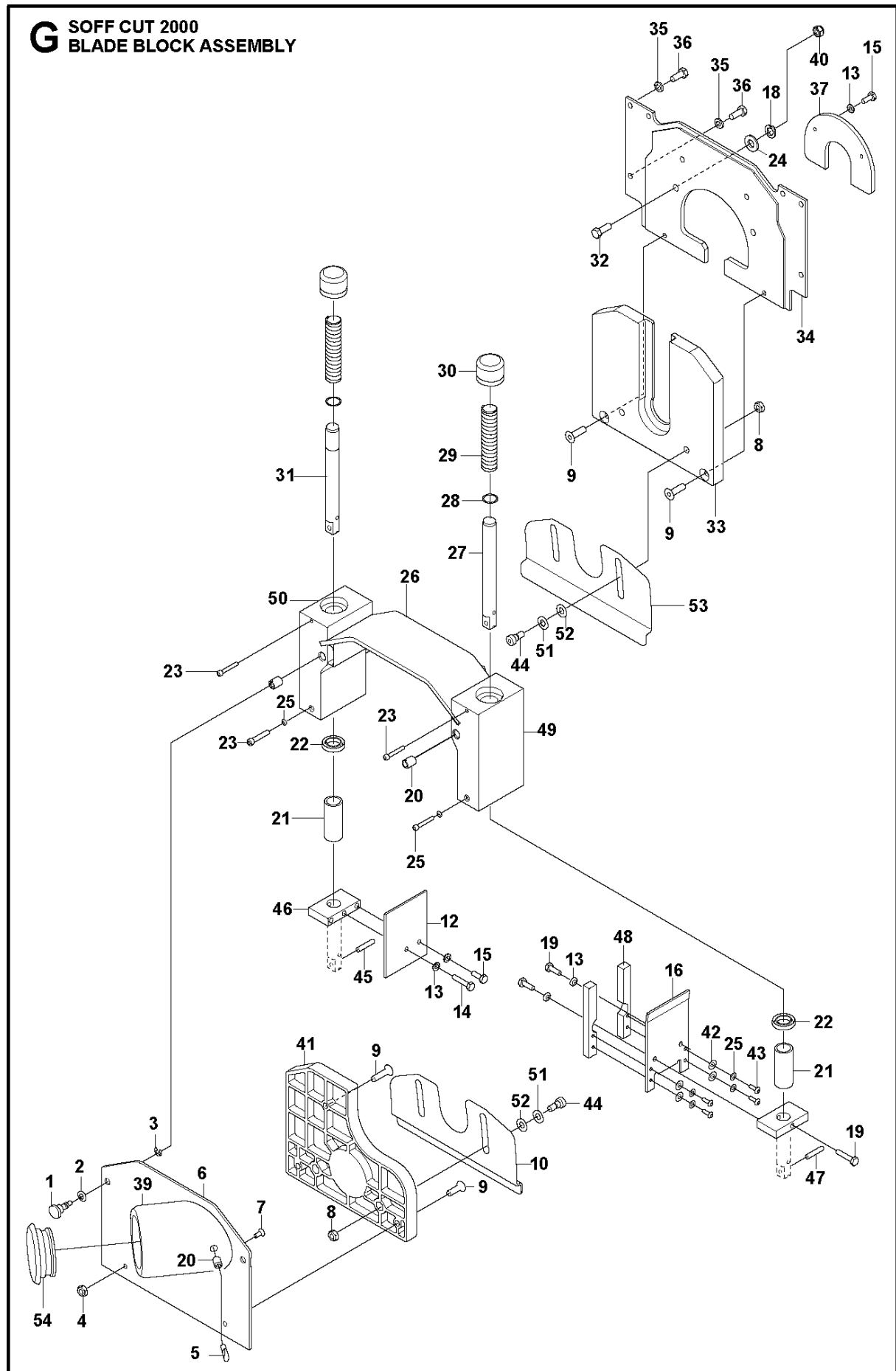
F SOFF CUT 2000
OIL DRAIN & BATTERY



OIL DRAIN & BATTERY

SOFF CUT 2000

Ref	Part No	Description	Remark	QTY KIT	
1	505 83 60-01	COVER		1	
2	522 95 02-01	BATTERY		1	
4	505 81 78-01	WHEEL COVER		1	
5	505 92 75-01	SPARE PARTS		2	
6	505 63 28-01	WASHER		3	
7	505 62 74-01	BOLT		1	
8	539 97 69-78	NUT		2	
11	505 73 86-01	FITTING		2	14
12	505 73 85-01	HOSE		1	14
13	541 20 49-33	FITTING		1	14
14	529404801	TBD		1	
15	541205087	TBD		1	14
16	542 16 69-07	VALVE		1	14
17	505 77 66-01	CAP		1	14
18	590 96 06-01	SCREW		2	

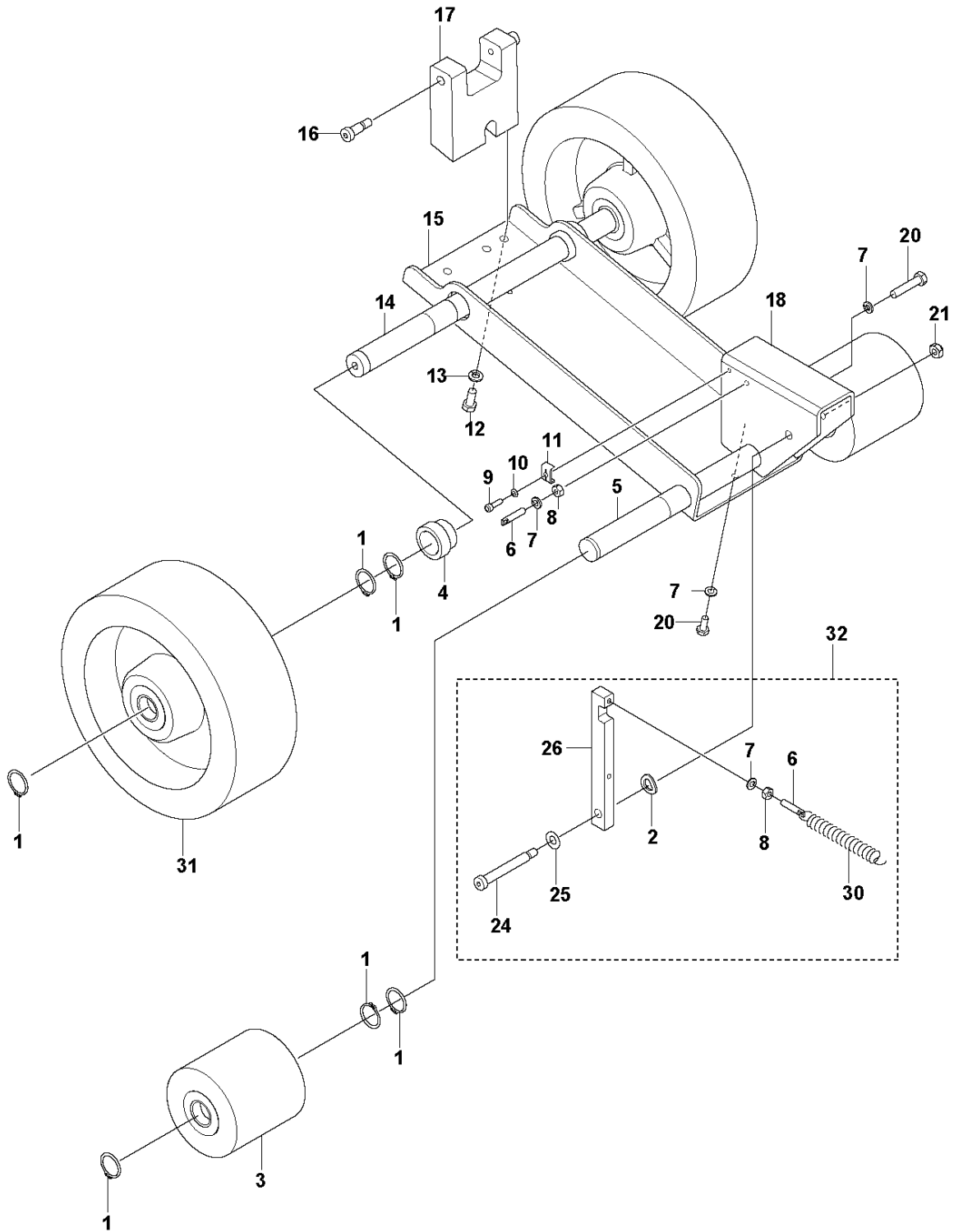


BLADE BLOCK ASSEMBLY

SOFF CUT 2000

Ref	Part No	Description	Remark	QTY KIT
1	505 53 63-01	KNOB		2
2	505 53 64-01	WASHER		2
3	505 53 65-01	E-CLIP		2
4	505 63 17-01	NUT		5
5	505 79 61-01	SCREW		1
6	505 82 01-01	B.B. FRONT COVER W/ DUST PORT		1
7	505 62 85-01	SCREW		3
8	505 83 38-01	SLAB BASE WLDNUT 5/16-18 X 3/8		4
9	505 77 33-01	SCREW		5
10	505 82 02-01	COVER		1
12	505 81 47-01	PLATE		1
13	505 63 28-01	WASHER		5
14	505 72 83-01	BOLT		1
15	505 62 75-01	BOLT		3
16	505 81 46-01	VACUUM SYSTEM		1
18	539 99 05-17	WASHER		2
19	505 62 75-01	BOLT		2
20	505 74 83-01	INSERT		3
21	505 66 76-01	BUSHING		1
22	505 73 80-01	SEAL		2
23	505 59 14-01	BOLT		4
24	505 73 10-01	WASHER		4
25	505 63 31-01	WASHER		6
26	505 81 58-01	B.B TOP COVER		1
27	505 81 48-01	SHAFT		1
28	541 40 14-72	RING		2
29	505 73 72-01	SPRING		2
30	505 81 50-01	CAP		2
31	505 81 49-01	SHAFT		1
32	505 83 31-01	BOLT		2
33	505 82 04-01	BLOCK		1
34	505 81 52-01	PANEL		1
35	505 63 30-01	WASHER		6
36	539 99 02-09	SCREW		6
37	505 81 57-01	BELT		1
39	591 35 71-01	TUBE		1
40	539 99 01-30	NUT		4
41	505 82 05-01	VOLUME BLOCK. OUTER. PLASTIC		1
42	505 82 28-01	BOLT		4
43	505 93 43-01	SPARE PARTS		2
44	505 82 28-01	BOLT		4
45	587 91 82-01	PIN		1
46	505 83 98-01	BLOCK		2
47	505 77 40-01	PIN		1
48	505 66 76-01	BUSHING		2
49	505 81 53-01	BLADE BLOCK		1
50	505 81 54-01	BLADE BLOCK		1
51	505 63 42-01	WASHER		4
52	505 63 45-01	WASHER		8
53	505 82 03-01	COVER		1
54	593 21 44-01	PLUG		1

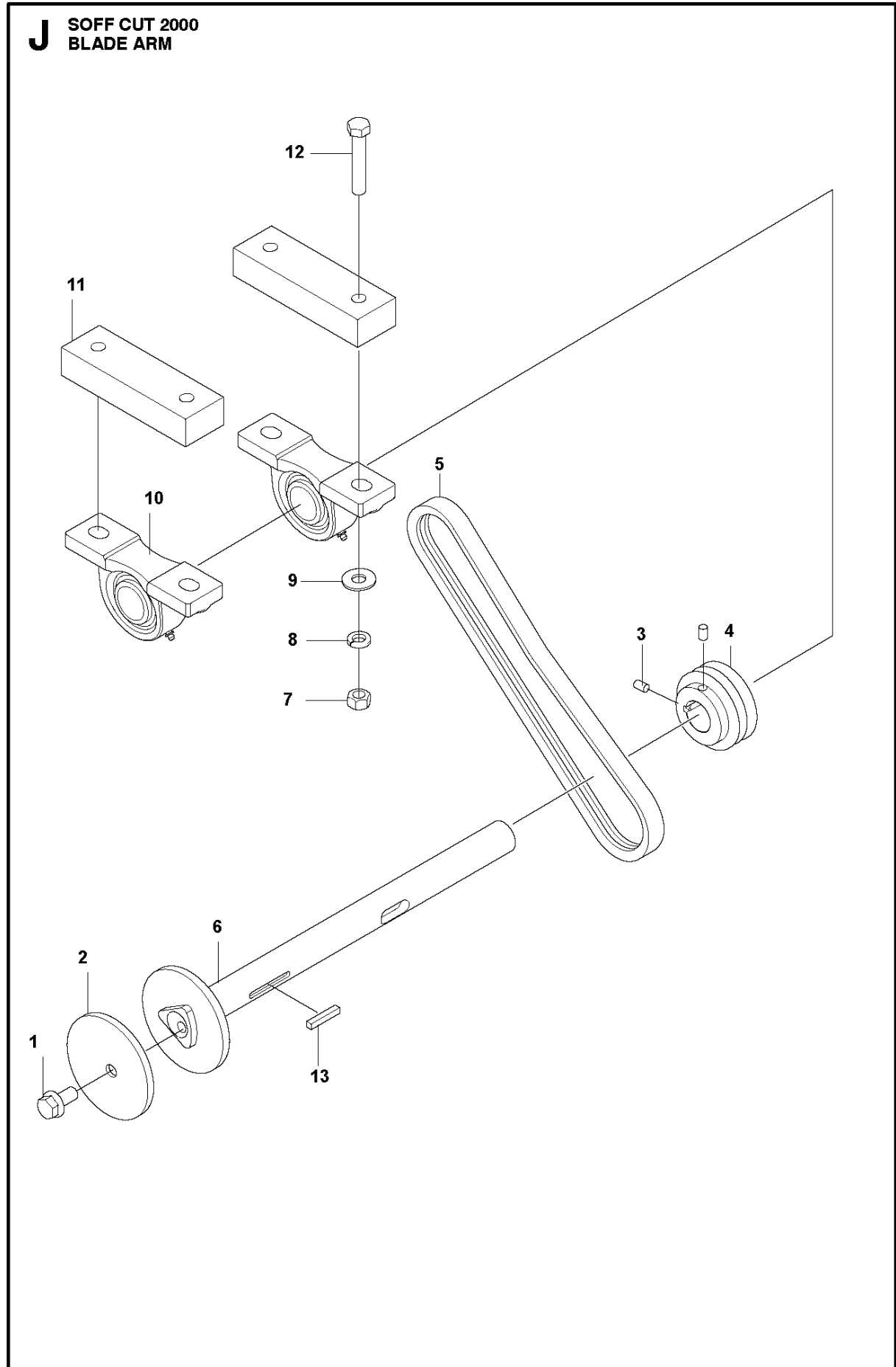
H SOFF CUT 2000
FRONT WHEEL CARRIAGE



FRONT WHEEL CARRIAGE

SOFF CUT 2000

Ref	Part No	Description	Remark	QTY	KIT
1	542 20 62-05	SNAP RING		12	
2	505 63 45-01	WASHER		1	32
3	505 86 44-01	WHEEL		2	
4	505 65 51-01	BUSHING		2	
5	505 81 73-01	AXLE		1	
6	505 77 45-01	ANCHOR		1	32
7	505 63 28-01	WASHER		4	32
8	505 63 19-01	NUT		2	32
9	505 72 97-01	BOLT		2	
10	505 63 31-01	WASHER		2	
11	505 64 89-01	CABLE HOLDER		2	
12	505 82 10-01	HEX BOLT 5/16 - 18 X 3/4 GR 5		2	
13	505 63 30-01	WASHER		2	
14	505 81 74-01	AXLE		1	
15	505 81 77-01	WHEEL		1	
16	505 62 71-01	BOLT		2	
17	505 81 91-01	BLOCK		1	
18	505 81 79-01	BRACKET		1	
20	505 62 74-01	BOLT		2	
21	505 63 17-01	NUT		1	
24	505 82 08-01	BOLT		1	32
25	505 63 42-01	WASHER		1	32
26	505 81 72-01	ARM		1	32
30	505 73 79-01	SPRING		1	32
31	505 86 45-01	WHEEL		2	
32	510 27 27-07	ASSEMBLY		1	

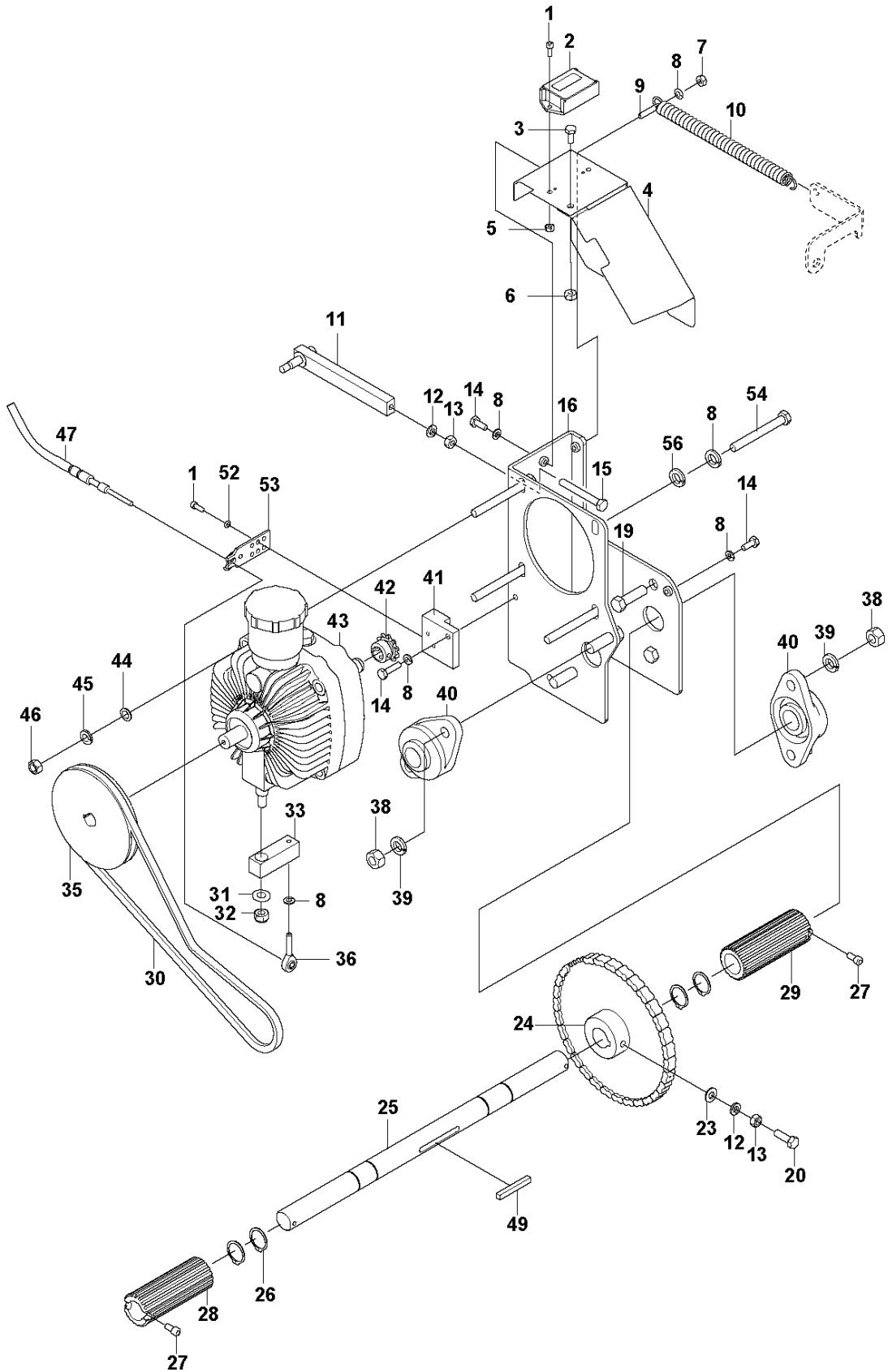


BLADE ARM

SOFF CUT 2000

Ref	Part No	Description	Remark	QTY KIT
1	505 48 37-01	BOLT		1
2	505 49 15-04	WASHER		1
3	542 02 05-50	SCREW		2
4	582 04 68-01	PULLEY		1
5	505 69 15-01	BELT		1
6	505 57 32-03	SHAFT		1
7	505 73 22-01	NUT		4
8	505 73 11-01	WASHER		4
9	505 73 14-01	WASHER		4
10	505 82 29-01	BLADE SHAFT		2
11	505 81 70-01	BEARING		2
12	505 72 71-01	BOLT		4
13	510 31 81-01	KEY		1

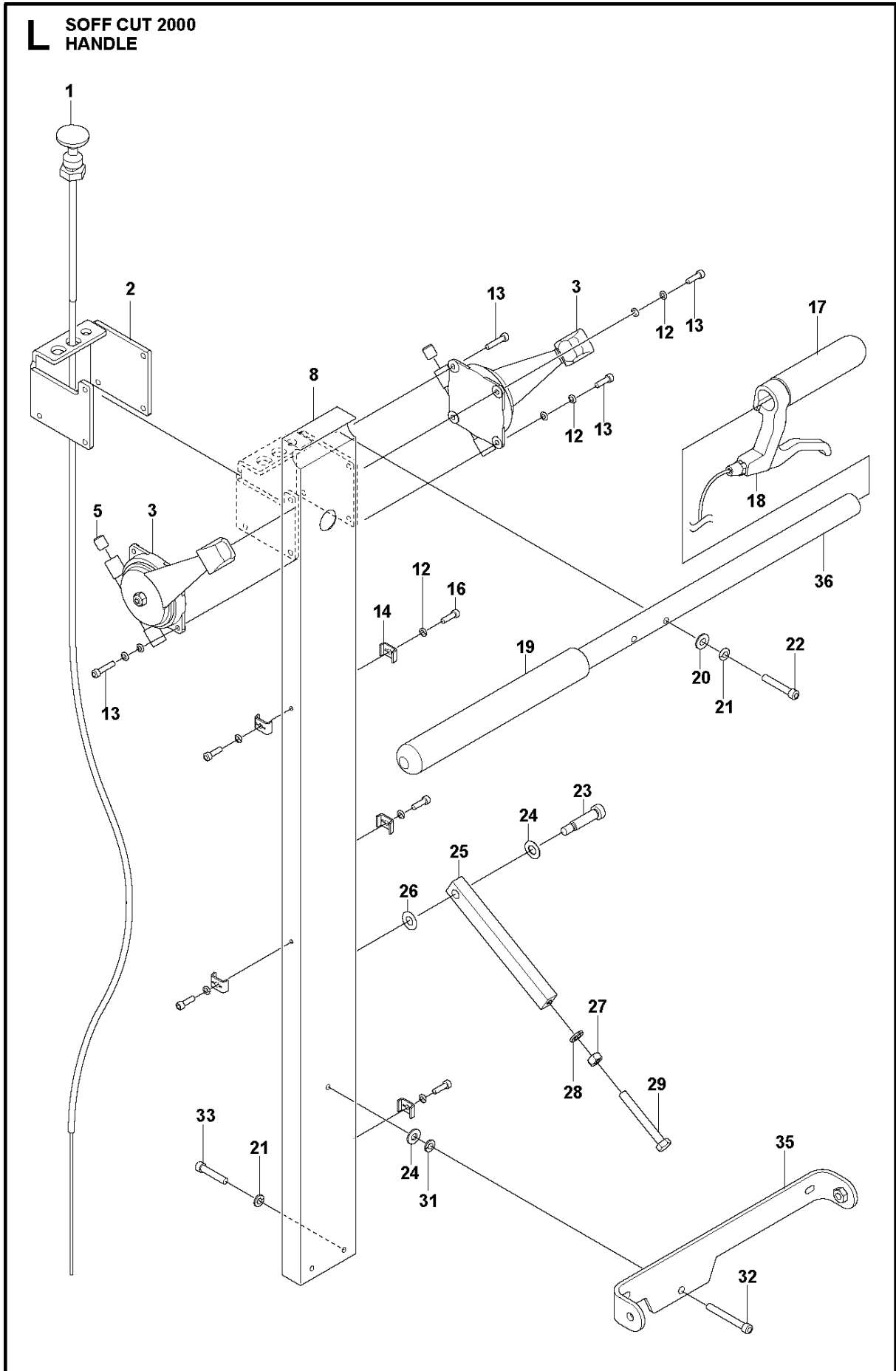
K SOFF CUT 2000
HYDRAULIC PUMP - MOTOR



HYDRAULIC PUMP - MOTOR

SOFF CUT 2000

Ref	Part No	Description	Remark	QTY KIT
1	505 72 96-01	BOLT		2
2	505 81 43-01	HOUR METER		1
3	505 62 75-01	BOLT		1
4	589 43 45-01	COVER ASSY		1
5	505 82 22-01	NUT		2
6	539 97 69-78	NUT		1
7	505 63 19-01	NUT		2
8	505 63 28-01	WASHER		5
9	505 77 45-01	ANCHOR		1
10	505 73 73-01	SPRING		1
11	505 81 81-01	ARM		1
12	505 63 30-01	WASHER		2
13	539 99 01-96	NUT		2
14	505 62 74-01	BOLT		3
15	505 60 16-01	BOLT		1
16	505 81 84-01	BRACKET		1
19	505 82 14-01	BOLT		2
20	539 99 02-09	SCREW		1
23	539 99 01-88	WASHER		1
24	510 34 66-01	SPROCKET. 54T		1
25	505 81 82-01	SHAFT		1
26	542 20 62-05	SNAP RING		4
27	505 72 23-01	BOLT		2
28	505 71 52-01	DRIVER		1
29	505 71 51-01	DRIVER		1
30	587 93 54-01	PULLEY		1
31	505 63 42-01	WASHER		1
32	539 30 07-70	NUT		1
33	505 81 71-01	ARM		1
35	587 93 53-01	PULLEY		1
36	505 82 35-01	BALL JOINT		1
38	505 73 26-01	NUT		4
39	505 73 12-01	WASHER		4
40	582 27 28-01	BALL BEARING		2
41	510 34 31-01	BLOCK		1
42	587 65 99-02	SPROCKET		1
43	582 38 28-01	TRANSMISSION		1
44	505 72 40-01	WASHER		4
45	505 73 10-01	WASHER		4
46	539 99 01-30	NUT		4
47	505 82 30-01	CONTROL CABLE		1
49	539 91 02-10	KEY		1
52	505 63 31-01	WASHER		1
53	505 82 34-01	BRACKET		1
54	539 30 08-70	NLA HCS 3/8-16 X 3-1/2 GR 5 ZN		4
56	539 99 05-17	WASHER		4

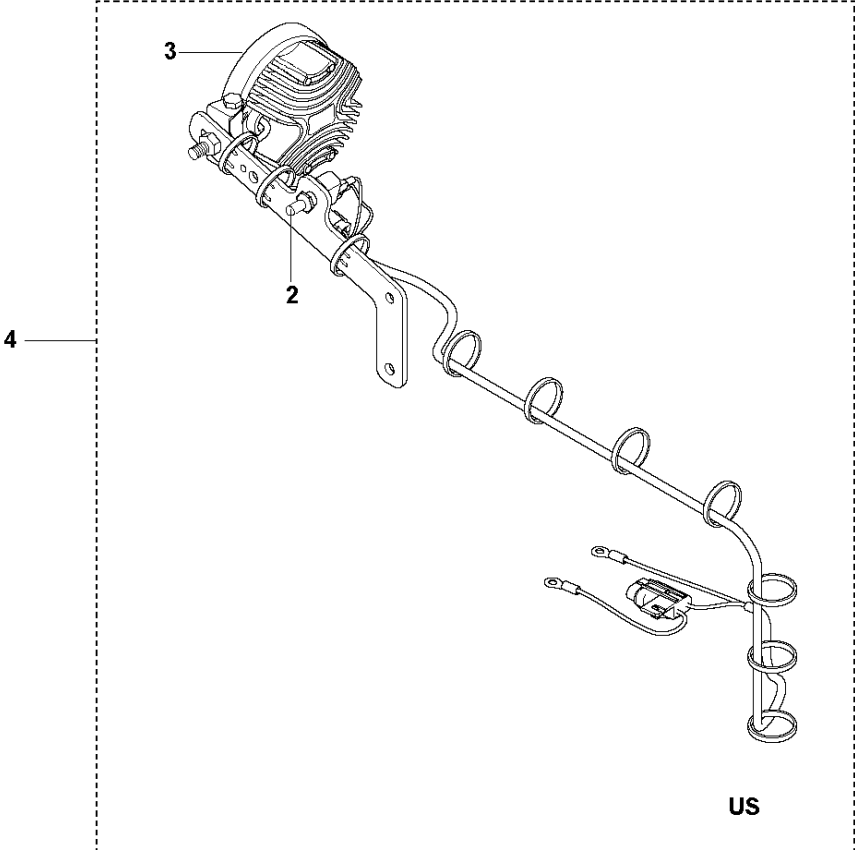
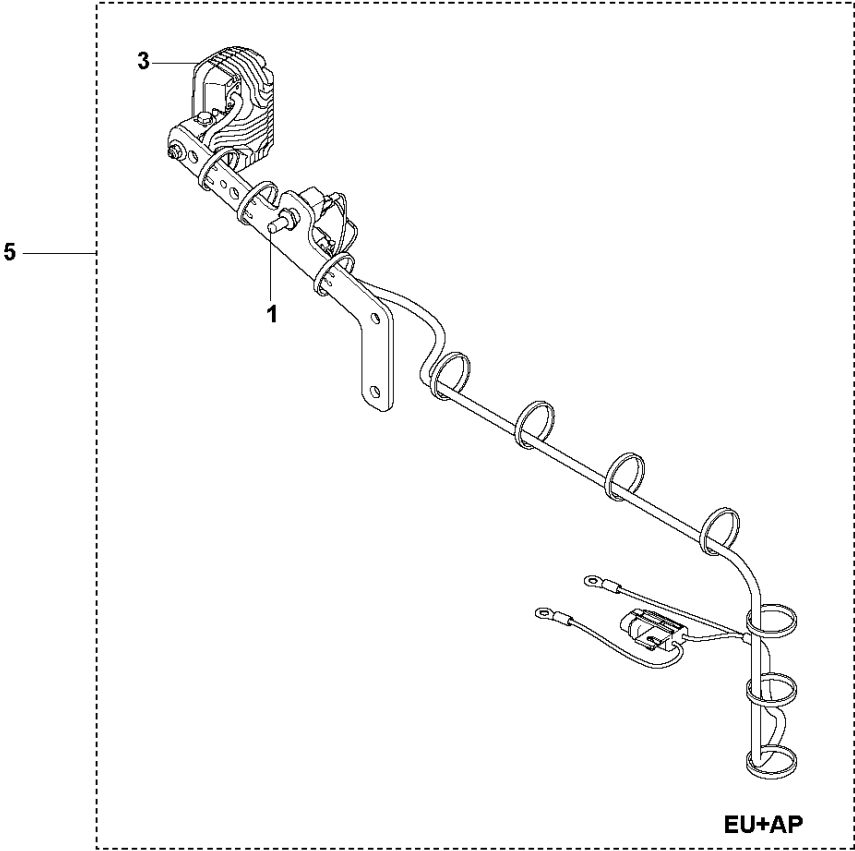


HANDLE

SOFF CUT 2000

Ref	Part No	Description	Remark	QTY KIT
1	587 99 06-01	CABLE		1
2	505 81 68-01	BRACKET		1
3	505 82 36-01	CONTROL LEVER		2
5	505 82 24-01	SCREW		2
8	596970001	TBD		1
12	505 63 31-01	WASHER		13
13	505 77 28-01	BOLT		6
14	505 64 89-01	CABLE HOLDER		5
16	505 72 97-01	BOLT		11
17	505 80 28-01	GRIP		1
18	505 59 25-01	BRAKE LEVER		1
19	505 81 35-01	GRIP		1
20	505 63 20-01	WASHER		2
21	505 63 28-01	WASHER		2
22	505 72 88-01	BOLT		2
23	505 82 07-01	BOLT		1
24	505 63 42-01	WASHER		1
25	505 81 81-01	ARM		1
26	505 63 45-01	WASHER		2
27	505 72 35-01	NUT		1
28	505 63 30-01	WASHER		1
29	539 97 69-34	SCREW		1
31	505 72 83-01	BOLT		1
32	590 47 25-01	BRACKET		1
33	542 02 05-68	SCREW		2
35	591 37 59-01	BRACKET		1
36	505 81 65-01	HANDLEBAR		1

M SOFF CUT 2000
LIGHT KIT



LIGHT KIT

SOFF CUT 2000

Ref	Part No	Description	Remark	QTY	KIT
1	582 77 67-01	LIGHT		1	5
2	594915301	TBD		1	4
3	542 19 96-48	SWITCH		1	5,4
4	594 91 52-01	LIGHT		1	
5	594 91 56-01	LIGHT		1	

DECALS

SOFF CUT 2000

Ref	Part No	Description	Remark	QTY KIT
1	505 70 34-01	LABEL		
2	510 34 15-01	LABEL		1
3	505 70 37-01	LABEL. WARNING SIGN (BIG)		
4	525 51 27-01	STICKER		1
5	505 44 85-01	DECAL		1
6	505 70 35-01	LABEL		1
7	510 34 75-01	LABEL WARNING		1
8	505 70 39-01	LABEL		1
9	596 48 63-01	DECAL		1