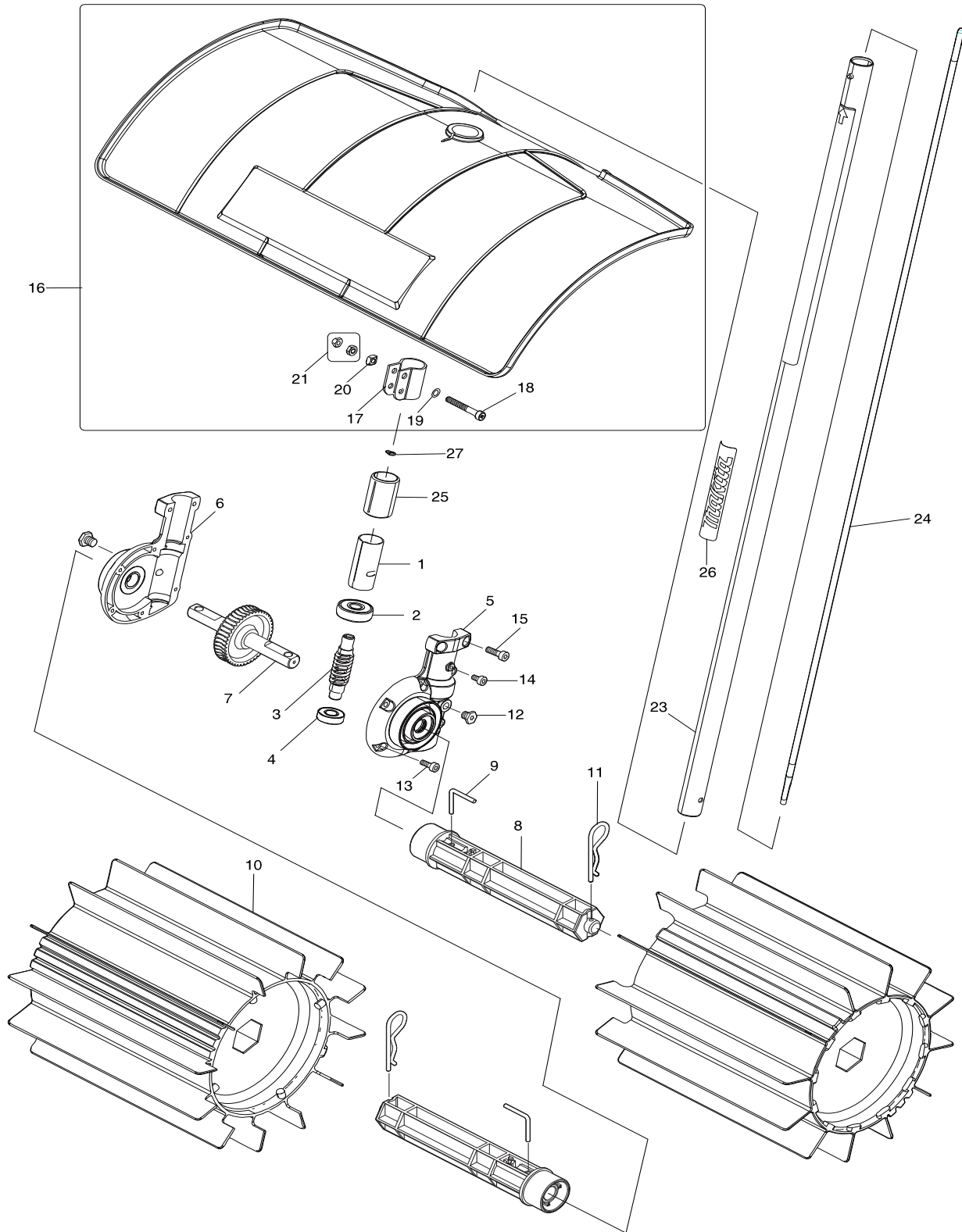




SW400MP



Products with multiple versions are listed in subsiding order with the newest version on top not indented.

Section	Fig. No.	Part No.	Description	SW400MP	Tech Bulletin	Notes
1	1	XNR0000519	COLLAR	1		
1	2	XNR0000520	BALL BEARING 6301LL	1		
1	3	XNR0000521	WORM COMPLETE	1		
1	4	XNR0000052	BALL BEARING #6001ZZ	1		
1	5	XNR0000536	WORM CASE A COMPL	1		
1	6	XNR0000537	WORM CASE B COMPL	1		
1	7	XNR0000544	WHEEL COMPLETE	1		
1	8	XNR0000547	AXLE SHAFT	2		
1	9	XNR0000546	L PIN	2		
1	10	XNR0000549	SWEEPER COMPLETE	2		
1	11	XNR0000545	R PIN	2		
1	12	XNR0000495	BOLT	2		
1	13	XNR0000529	H.L.SOCKET HEAD BOLT M5X15	6		
1	14	XNR0000528	H.L.SOCKET HEAD BOLT M5X10	1		
1	15	XNR0000527	H.L.SOCKET HEAD BOLT M6X20	2		
1	16	140D97-2	ROTALY COVER COMPLETE B	1		INC. 17-21
1	17	XNR0000541	COVER SLEEVE	1		
1	18	XNR0000517	H.L.SOCKET HEAD BOLT M6X45	2		
1	19	XNR0000543	FLAT WASHER 6	2		
1	20	XNR0000542	SQUARE NUT	2		
1	21	XNR0000516	HARD LOCK NUT RIM	2		
1	23	140D68-9	SHAFT PIPE COMPLETE A	1		
1	24	327189-2	SHAFT A	1		
1	25	458732-7	SPACER	1		
1	26	819312-8	MAKITA LOGO LABEL	1		
1	27	961003-8	RETAINING RING S-7	1		