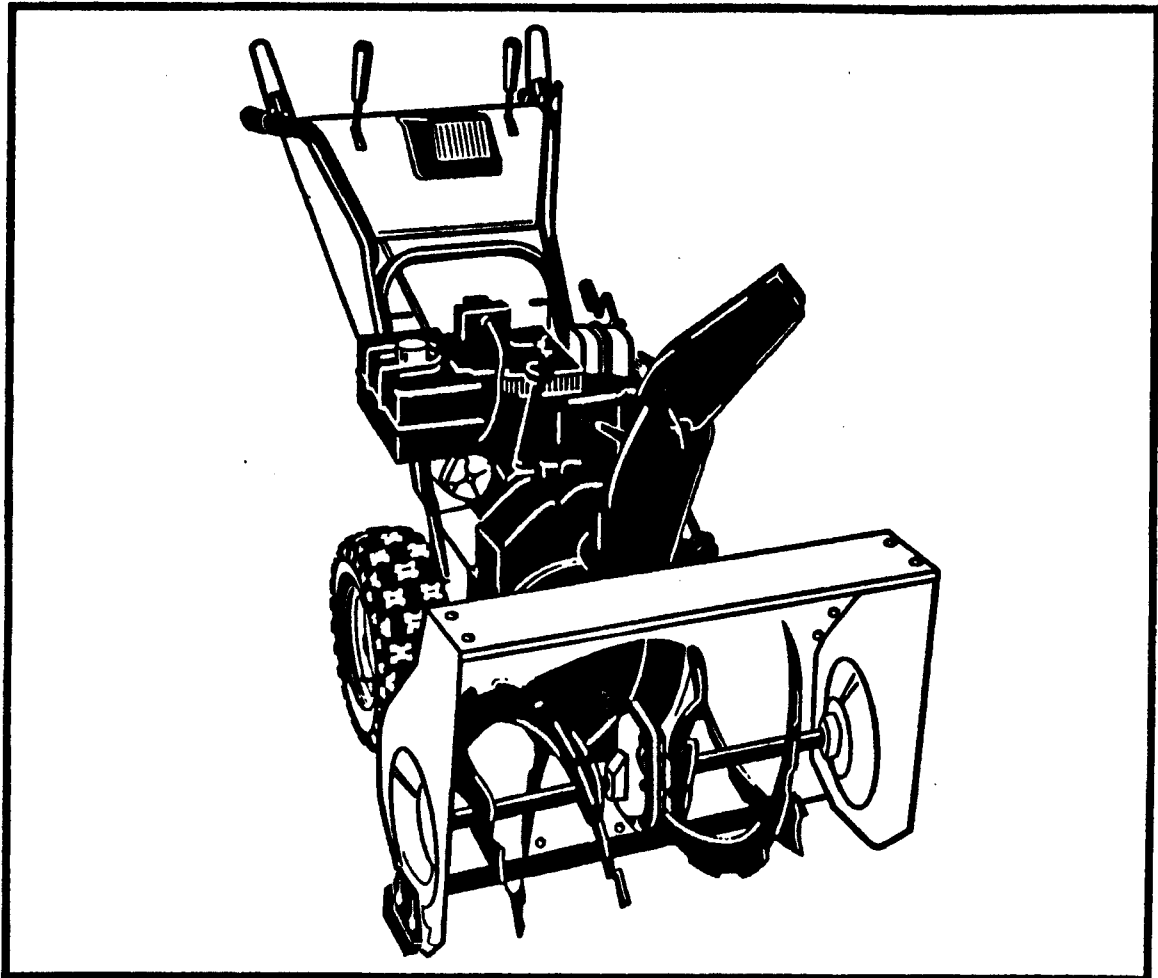


**H** Husqvarna



# ST927E

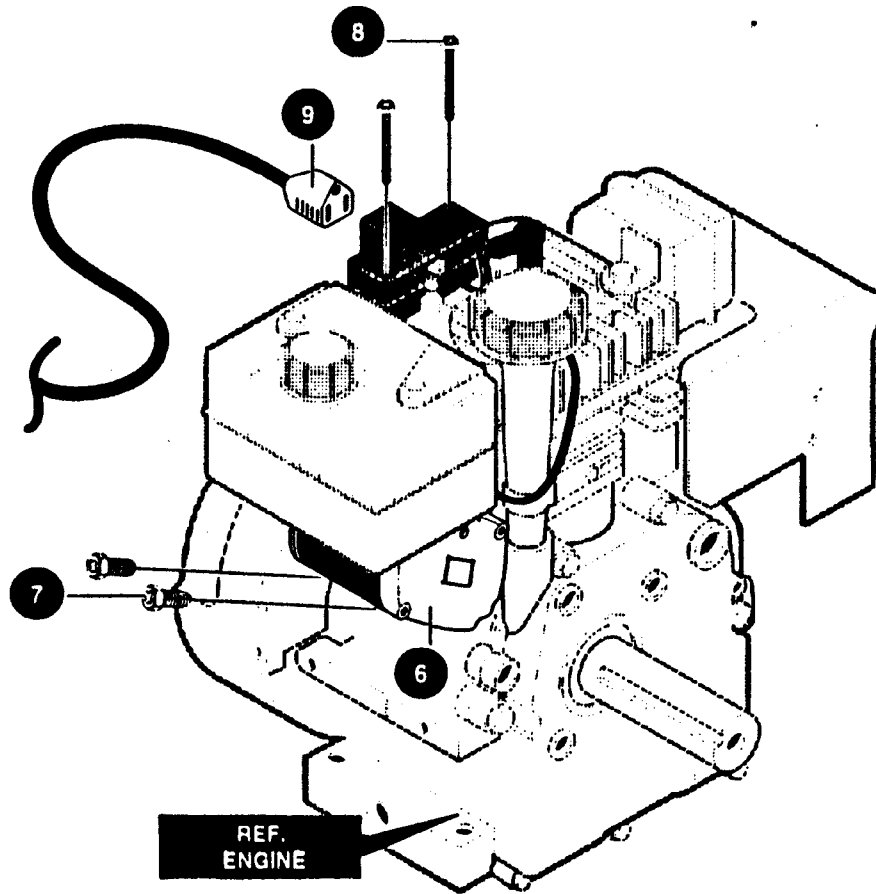


**1.1998**  
**Spare Parts**

---

# 27" SNOW THROWER MODEL ST927E

## ELECTRIC START ASSEMBLY



All unnumbered items are interchangeable with opposite side

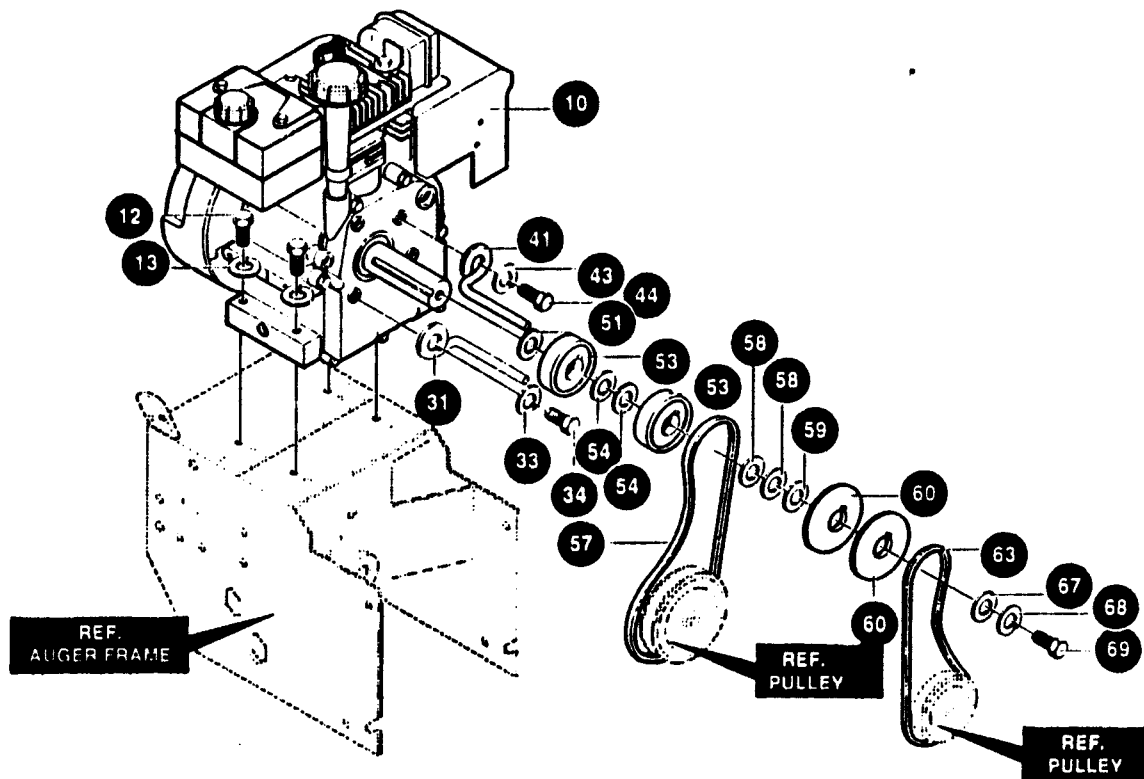
Note: Always use original equipment parts. Use of service/replacement parts other than original parts may void your warranty.

REF NO.	PART NO.	PART NAME
6	601 00 15 88	MOTOR, STARTER
7	601 00 15 89	SCREW, 1/4-20X .50
8	601 00 15 90	SCREW, #6-32X2.50
9	601 00 15 91	CORD, STARTER
	601 00 23 73	OPERATOR'S MANUAL

319051 B

# 27" SNOW THROWER MODEL ST927E

## ENGINE ASSEMBLY



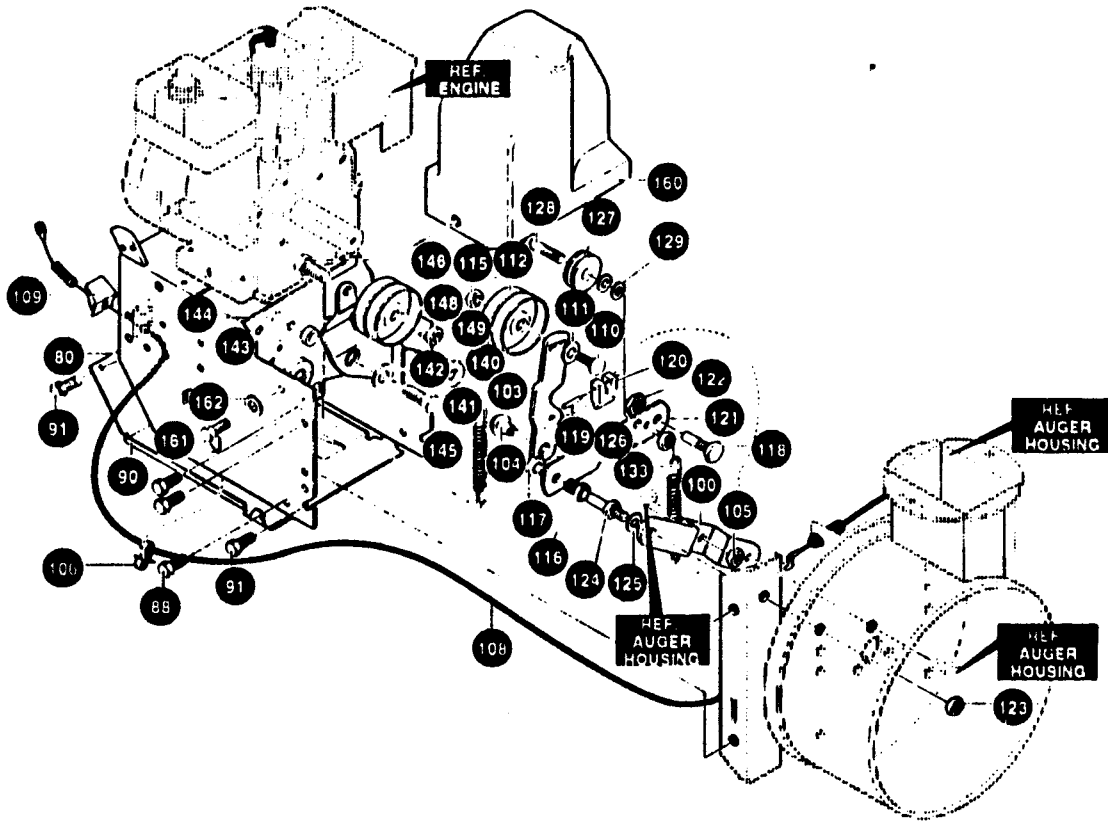
REF NO.	PART NO.	PART NAME
10	ENGINE	9HP (See Engine Manual)
12	601 00 15 92	SCREW 5/16-18X1.50
13	601 00 00 23	WASHER, .328X.60X.09
31	601 00 14 32	GUIDE, ROD BELT RH
33	601 00 00 23	WASHER, .328X.60X.09
34	601 00 14 43	SCREW, 5/16-24X 1.00
41	601 00 14 32	GUIDE, ROD BELT RH
43	601 00 00 23	WASHER, .328X.60X.09
44	601 00 14 43	SCREW, 5/16-24X 1.00
51	601 00 14 34	WASHER, CRANKSHAFT

REF NO.	PART NO.	PART NAME
53	601 00 14 36	PULLEY, HALF
54	601 00 14 35	FLATWASHER .752X.91X.02
57	601 00 14 37	BELT, V 3L 33.13LG
58	601 00 14 38	FLATWASHER .765X1.12X.06
59	601 00 20 20	SPACER, SLEEVE
60	601 00 20 21	PULLEY, ENGINE
63	601 00 15 94	BELT, V 4L 38.1LG
67	601 00 14 41	WASHER, FLAT
68	601 00 00 15	WASHER, 393X.68X.10
69	601 00 05 27	SCREW, 3/8-24X1.00

319042G

# 27" SNOW THROWER MODEL ST927E

## FRAME COMPONENTS ASSEMBLY

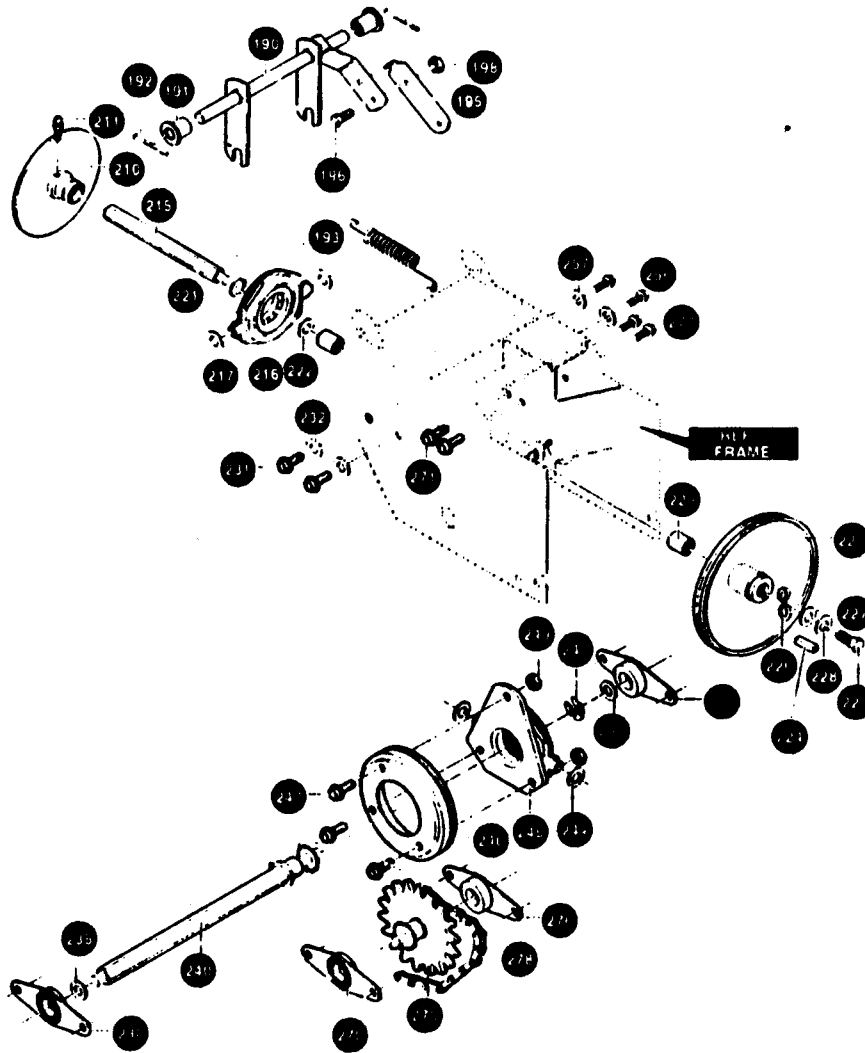


340554G

REF NO.	PART NO.	PART NAME
80	601 00 21 63	FRAME, ASSY
88	601 00 05 19	SCREW, 5/16-18X .50
90	601 00 17 39	COVER, BOTTOM
91	601 00 14 45	SCREW, 1/4-20X .63
100	601 00 23 47	PLATE, CLUTCH ARM
103	601 00 24 06	BRACKET, IDLER
104	601 00 23 49	BOLT, HSH 3/8-16
105	601 00 24 07	NUT, 3/8-16 CTRLK
106	601 00 20 27	CLIP, CABLE
108	601 00 21 64	CABLE, AUGER
109	601 00 20 30	SHIELD, CABLE GUARD
110	601 00 15 98	C. BOLT, 3/8-16X1.25
111	601 00 08 71	FLATWASHER
112	601 00 14 54	PULLEY, IDLER
115	601 00 13 35	NUT, 3/8-16
116	601 00 18 02	BOLT, BRAKE ARM
117	601 00 18 01	NUT, 9/16-18JAMCTRLK
118	601 00 16 04	BOLT-BRAKE ARM
119	601 00 14 51	SPRING PIN
120	601 00 14 59	PAD, AUGER/IMP
121	601 00 24 68	BRACKET PUCK
122	601 00 16 03	NUT, 1/2-20 JAMCTRLK

REF NO.	PART NO.	PART NAME
123	601 00 00 60	NUT, 3/8-16RGHXCTRLK
124	601 00 24 09	STUD, BRAKE ARM
125	601 00 00 15	WASHER, REGSPTLK
126	601 00 23 18	NUT, 1/4-20RGHXCTRLK
127	601 00 05 60	PULLEY, METAL
128	601 00 20 59	BOLT, SH 1/4-20
129	601 00 00 17	FLATWASHER
133	601 00 20 60	SPRING, IDLER BRAKE
140	601 00 14 61	LEVER, IDLER ARM
141	601 00 00 73	SCREW, 5/16-18X .75
142	601 00 14 62	WASHER, FLAT .328X1.25X.075
143	601 00 14 63	BUSHING, IDLER LEVER
144	601 00 14 64	NUT, 5/16-18 HEXNYL
145	601 00 10 89	IDLER SPRING
146	601 00 17 40	SCREW, 3/8-16X1.25
148	601 00 14 54	PULLEY, IDLER
149	601 00 13 35	NUT, 3/8-16
160	601 00 14 65	COVER, BELT
161	601 00 14 45	SCREW, 1/4-20X .63
162	601 00 00 18	WASHER, FLAT .281X .63X.065

**27" SNOW THROWER MODEL ST927E**  
**DRIVE COMPONENTS ASSEMBLY**



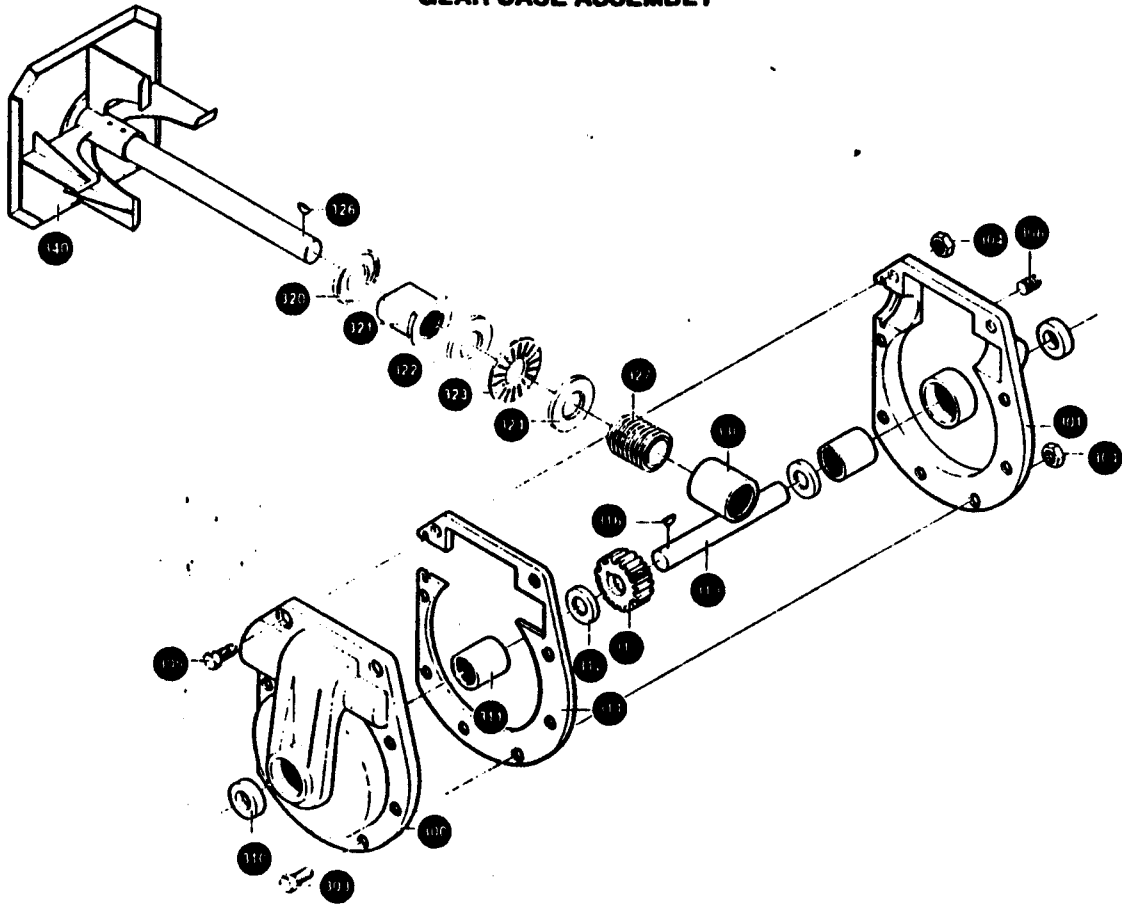
REF NO.	PART NO.	PART NAME
190	601 00 14 88	LEVER, ASSY TRACTION
191	601 00 14 47	BEARING, FLANGE
192	601 00 09 30	PIN, COTTER
193	601 00 14 87	SPRING, RETURN
195	601 00 14 68	LEVER, SPRING
196	601 00 13 74	SCREW, 1/4-20X .63 HHCFT
198	601 00 23 18	NUT, 1/4-20 REGHEXCTRLK
210	601 00 20 31	DISC, ASSY FRICWHL
211	601 00 14 70	ZERK, GREASE
215	601 00 14 71	SHAFT, HEX TRACTION
216	601 00 14 72	BEARING, TRUNION 1.25 ID
217	601 00 14 46	WASHER, FLAT .53 X1.00X.063
221	601 00 14 74	RING, RETEX
222	601 00 14 75	FLATWASHER .680X1.12X.060
223	601 00 05 39	BEARING, BALL
224	601 00 14 76	KEY, SQUARE .18SQX.63LG
225	601 00 14 77	PULLEY, V3L 6.50X .56
226	601 00 14 78	WASHER, WAVE
227	601 00 23 21	WASHER, FLAT .281X1.00X.063
228	601 00 00 14	WASHER, 263X.49X.07

REF NO.	PART NO.	PART NAME
229	601 00 00 68	SCREW, 1/4-20X .75 HHC
230	601 00 14 79	BEARING & RETAINER, ASSY
231	601 00 05 19	SCREW, 5/16-18X .50
232	601 00 00 23	WASHER, .328X.60X.09
235	601 00 14 84	WASHER, SP .502X .75X.0605
240	601 00 23 22	HEX, ASSY#40-8TW/PBRG
243	601 00 20 33	RING, RETEX
244	601 00 14 46	WASHER, FLAT.53 X1.00X.063
245	601 00 17 41	BEARING, TRUNION
246	601 00 14 83	WHEEL, ASSY FRICTIONDISC
247	601 00 13 74	SCREW, 1/4-20X .63 HHCFT
249	601 00 13 90	NUT, 1/4-20 HEX KEPS
250	601 00 14 84	WASHER, SP .502X .75X.0605
255	601 00 14 79	BEARING & RETAINER, ASSY
258	601 00 05 19	SCREW, 5/16-18X .50
257	601 00 00 23	WASHER, .328X.60X.09
270	601 00 14 79	BEARING & RETAINER, ASSY
271	601 00 05 19	SCREW, 5/16-18X .50
275	601 00 18 08	JACK, ASSY#41-36T&7T
276	601 00 14 79	BEARING & RETAINER, ASSY
277	601 00 05 19	SCREW, 5/16-18X .50
278	601 00 14 88	CHAIN, ROLLER #42 X 40P

313995J

# 27" SNOW THROWER MODEL ST927E

## GEAR CASE ASSEMBLY



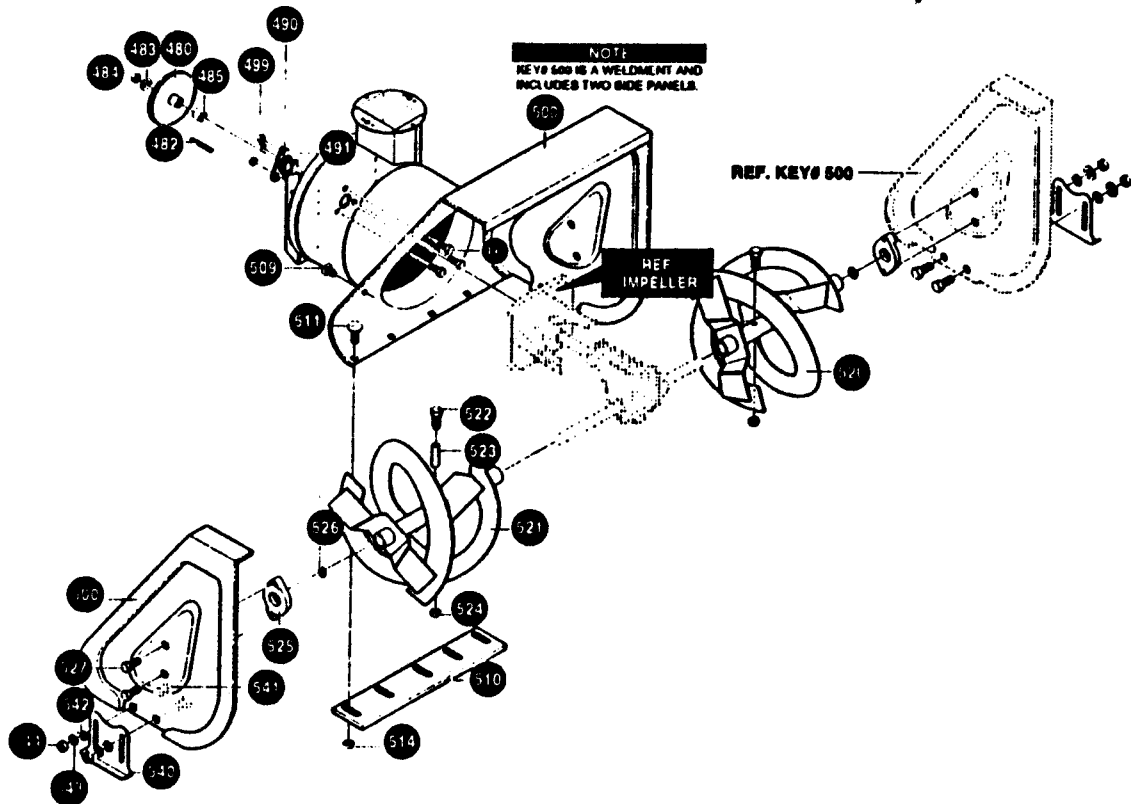
REF NO.	PART NO.	PART NAME
300	601 00 14 87	CASE, GEAR RH
301	601 00 14 88	CASE, GEAR LH
303	601 00 14 43	SCREW, 5/16-24X1.00
304	601 00 08 23	NUT, 5/16-24
305	601 00 16 07	SCREW, 5/16-24X1.50
308	601 00 14 90	PIPE PLUG
310	601 00 23 24	SEAL, OIL
311	601 00 14 92	BEARING, SLEEVE
312	601 00 14 93	WASHER, FLAT
313	601 00 23 25	SHAFT, AUGER OUTPUT
314	601 00 14 95	GASKET, GEAR BOX
315	601 00 14 96	WORM GEAR
316	601 00 14 97	KEY, WDRF
320	601 00 14 98	RING, QUAD
321	601 00 14 99	BRNG, FL

REF NO.	PART NO.	PART NAME
322	601 00 23 26	FLATWASHER .752X1.24X.093PL
323	601 00 15 01	BEARING, ROLL
324	601 00 23 26	FLATWASHER .752X1.24X.093PL
326	601 00 15 02	KEY, HI-PRO
327	601 00 15 03	WORM GEAR
330	601 00 15 04	BEARING, SLEEVE
340	601 00 15 05	IMPEL, ASSY

314014D

# 27" SNOW THROWER MODEL ST927E

## AUGER HOUSING ASSEMBLY

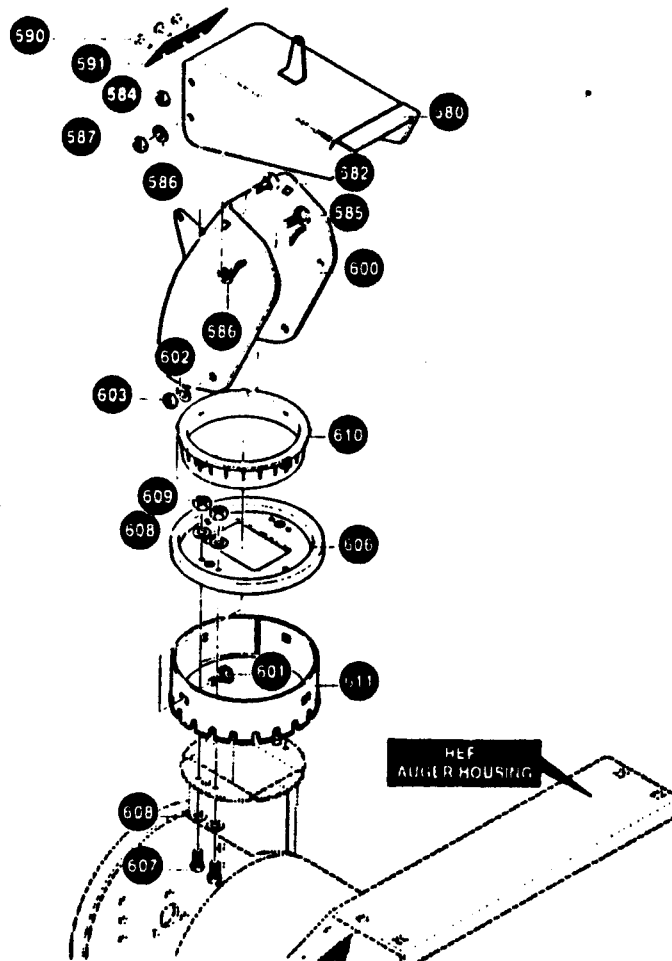


REF NO.	PART NO.	PART NAME	REF NO.	PART NO.	PART NAME
480	601 00 16 09	PULLEY, V4L 8.40 OD	523	601 00 15 17	SPACER, SLEEVE
482	601 00 15 07	KEY, SQUARE	524	601 00 23 18	NUT, 1/4-20 RGHXCTRLK
483	601 00 14 48	WASHER, FLAT .53 X1.00X.063	525	601 00 15 18	AUGER SHAFT BEARING
484	601 00 01 07	NUT, 1/2-20	526	601 00 15 19	FLATWASHER 1.005X1.31X.035
485	601 00 16 10	SPACER, SLEEVE	527	601 00 05 20	SCREW, 5/16-18X .75
490	601 00 15 09	RETAINER, BALL	540	601 00 17 45	SKID, HEIGHT ADJUST
491	601 00 05 39	BEARING, BALL	541	601 00 14 11	BOLT, 5/16-18X .75
493	601 00 00 73	SCREW, 5/16-18X .75	542	601 00 00 19	FLATWASHER .344X.69X.065
499	601 00 20 36	NUT, 5/16-18	543	601 00 00 23	WASHER, .328X.60X.09
500	601 00 24 02	HSG, ASSY	544	601 00 00 12	NUT, 5/16-18 REGHEX
509	601 00 21 74	PLUG			
510	601 00 24 03	BLADE, SCRAPER			
511	601 00 14 11	BOLT, 5/16-18X .75			
514	601 00 20 36	NUT, 5/16-18			
520	601 00 24 04	AUGER, ASSY LH			
521	601 00 24 05	AUGER, ASSY RH			
522	601 00 14 56	SCREW, 1/4-20X1.75			

339974M

# 27" SNOW THROWER MODEL ST927E

## CHUTE ASSEMBLY



REF NO.	PART NO.	PART NAME
580	601 00 20 37	CHUTE, UPPER
582	601 00 20 38	SCREW, 5/16-18X .75
584	601 00 14 64	NUT, 5/16-18
585	601 00 20 38	SCREW, 5/16-18X .75
586	601 00 15 24	WASHER, PLASTIC
587	601 00 14 64	NUT, 5/16-18
590	601 00 17 04	RIVET, POP
600	601 00 21 69	CHUTE, LOWER
601	601 00 20 40	BOLT, 5/16-18X1.00
602	601 00 00 19	FLATWASHER .344X .69X.065
603	601 00 14 64	NUT, 5/16-18
606	601 00 18 38	COLLAR, CHUTE
607	601 00 00 68	SCREW, 1/4-20X .75

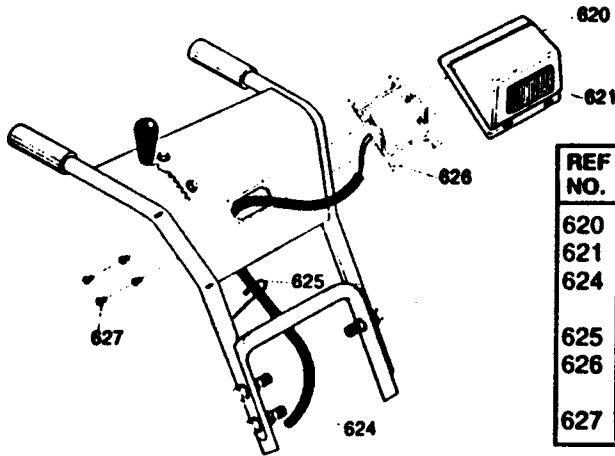
REF NO.	PART NO.	PART NAME
608	601 00 00 18	FLATWASHER .281X .63X.065
609	601 00 23 18	NUT, 1/4-20 RGHXCTRLK
610	601 00 18 39	RETAINER, RING INNER
611	601 00 18 40	RETAINER, RING OUTER

338160E



# 27" SNOW THROWER MODEL ST927E

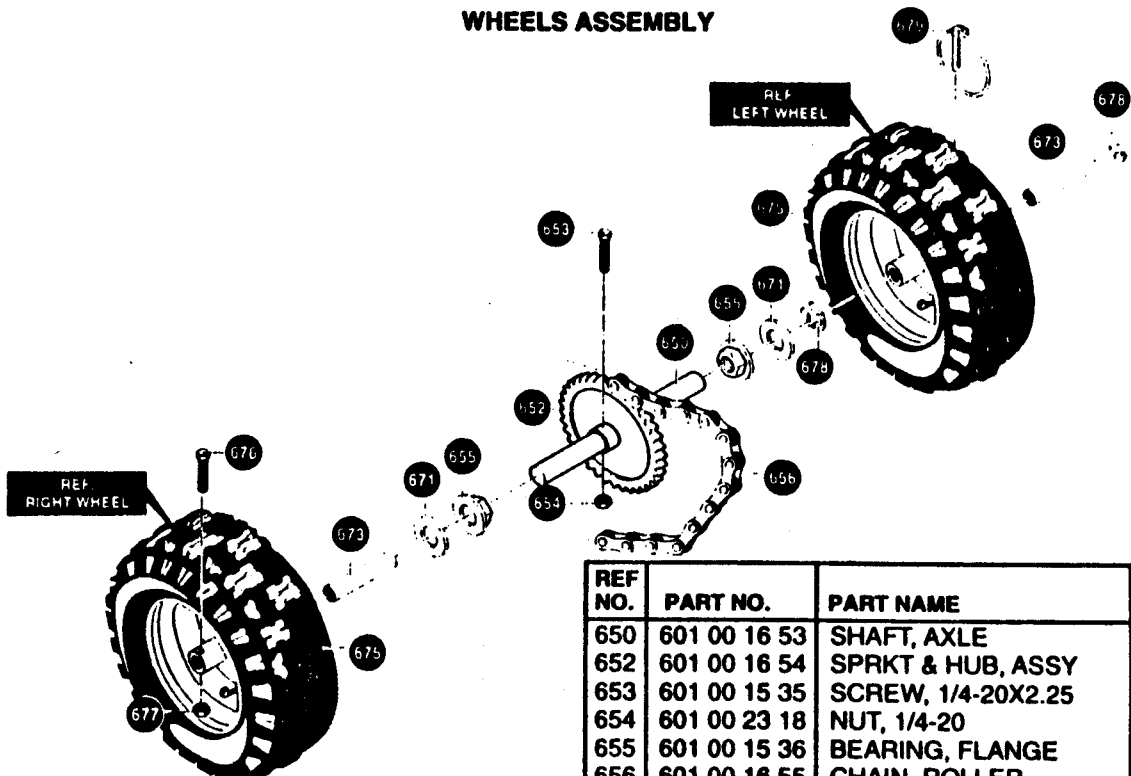
## HEADLIGHT ASSEMBLY



334082A

REF NO.	PART NO.	PART NAME
620	601 00 16 48	HEADLIGHT HOUSING
621	601 00 16 49	ASSY, HEADLIGHT
624	601 00 16 50	ASSY, HEADLIGHT WIRE
625	601 00 06 28	TIE, CABLE
626	601 00 16 51	BRACKET, LIGHT PANEL
627	601 00 16 24	SCREW, #8 X .75

## WHEELS ASSEMBLY

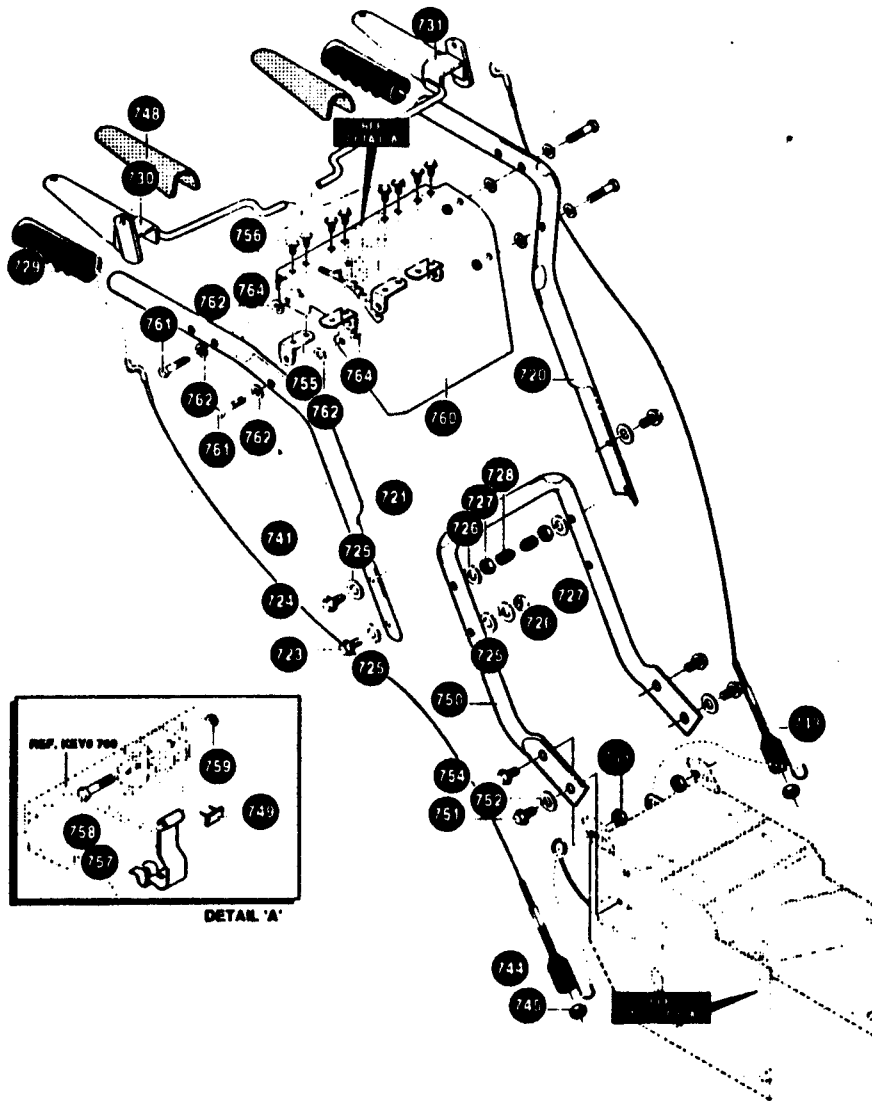


REF NO.	PART NO.	PART NAME
650	601 00 16 53	SHAFT, AXLE
652	601 00 16 54	SPRKT & HUB, ASSY
653	601 00 15 35	SCREW, 1/4-20X2.25
654	601 00 23 18	NUT, 1/4-20
655	601 00 15 36	BEARING, FLANGE
656	601 00 16 55	CHAIN, ROLLER
671	601 00 14 38	FLATWASHER
673	601 00 17 46	BUSHING, WHEEL 4"LG
675	601 00 20 43	TIRE & RIM
676	601 00 15 39	SCREW, SHR 1/4-20X1.75
677	601 00 23 18	NUT, 1/4-20
678	601 00 15 40	RING, RET
679	601 00 15 41	PIN, KLIK .25 X 1.38 DIA

318542 F

# 27" SNOW THROWER MODEL ST927E

## HANDLE ASSEMBLY

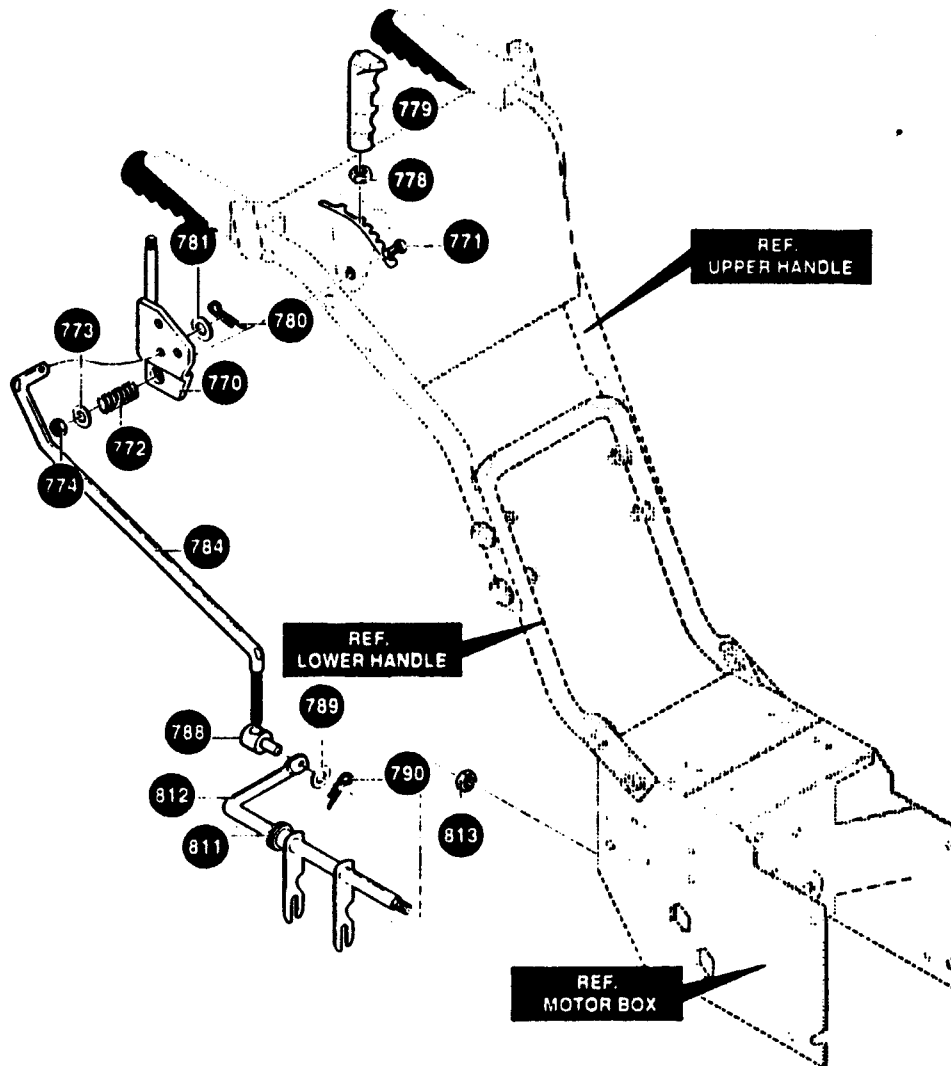


342622A-1

REF NO.	PART NO.	PART NAME	REF NO.	PART NO.	PART NAME
720	601 00 15 42	HANDLE, UPPER LH	749	601 00 23 97	BUMPER
721	601 00 15 43	HANDLE, UPPER RH	750	601 00 11 43	HANDLE, LOWER
723	601 00 15 55	SCREW, 3/8-16X2.00	751	601 00 05 20	SCREW, 5/16-18X .75
724	601 00 15 44	SCREW, 3/8-16X3.00	752	601 00 00 23	WASHER, .328X.60X.09
725	601 00 00 20	WASHER, FLAT .406X .81X.065	753	601 00 00 59	NUT, 5/16-18
726	601 00 00 15	WASHER, 393X.68X.10	754	601 00 05 20	SCREW, 5/16-18X .75
727	601 00 00 60	NUT, 3/8-16 REGHXCTRLK	755	601 00 23 98	BRACKET, ROD GUIDE
728	601 00 15 45	STOP, PLASTIC	756	601 00 23 99	SCREW, 1/4-20 X .38
729	601 00 15 46	GRIP, HANDLE	757	601 00 24 00	SPRING, CAM LOCK
730	601 00 23 94	ASSY, CLUTCH LEVER RH	758	601 00 13 34	SCREW, 3/8-16 X 1.50
731	601 00 23 95	ASSY, CLUTCH LEVER LH	759	601 00 13 35	NUT, 3/8-16
741	601 00 15 51	CABLE, CLUTCH 32.19"	760	601 00 24 01	ASSY, PANEL
743	601 00 15 52	SPRING, TENSION	761	601 0015 57	SCREW 5/16-18X1.75
744	601 00 15 53	SPRING, AUGER CLUTCH	762	601 00 00 19	FLATWASHER .344X.69X.065
745	601 00 23 18	NUT, 1/4-20 RGHXCTRLK	764	601 00 20 36	NUT 5/16-18 HEXWDFLLK
748	601 00 23 98	GRIP, CLUTCH HANDLE			

# 27" SNOW THROWER MODEL ST927E

## HANDLE ASSEMBLY

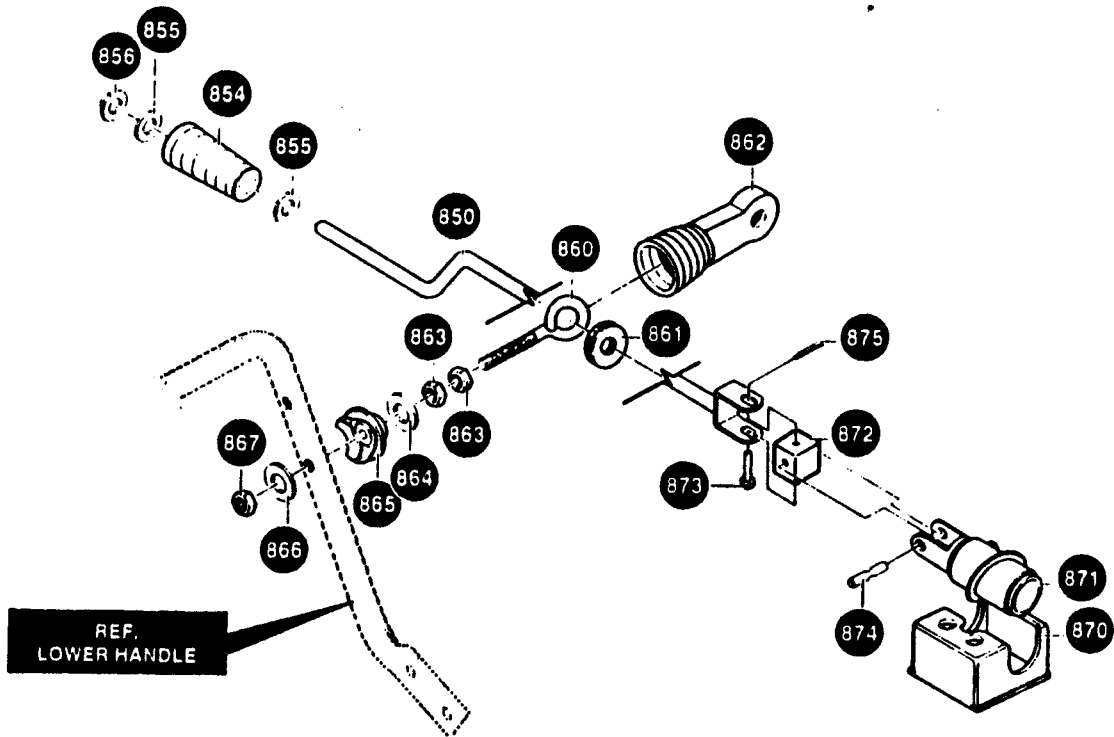


342622A-2

REF NO.	PART NO.	PART NAME
770	601 00 15 59	HANDLE ASSY SPD CTRL
771	601 00 15 55	SCREW 3/8-16X2.00
772	601 00 15 60	SPRING
773	601 00 00 20	FLATWASHER .406 X .81X.065
774	601 00 06 53	NUT, 3/8-16 HEXNYL
778	601 00 00 60	NUT, 3/8-16 RGHXTRLK
779	601 00 23 72	HANDLE 3/8-16
780	601 00 00 25	PIN, COTTER
781	601 00 00 19	FLATWASHER
784	601 00 15 62	ROD, SPEED CONTROL
788	601 00 15 63	NUT, TRUNNION
789	601 00 00 18	FLATWASHER
790	601 00 00 25	COTTER PIN
811	601 00 15 64	BEARING, FLANGE
812	601 00 20 47	ROD, ASSY YOKE
813	601 00 00 60	NUT, 3/8-16 RGHXTRLK

# 27" SNOW THROWER MODEL ST927E

## CHUTE ROD ASSEMBLY

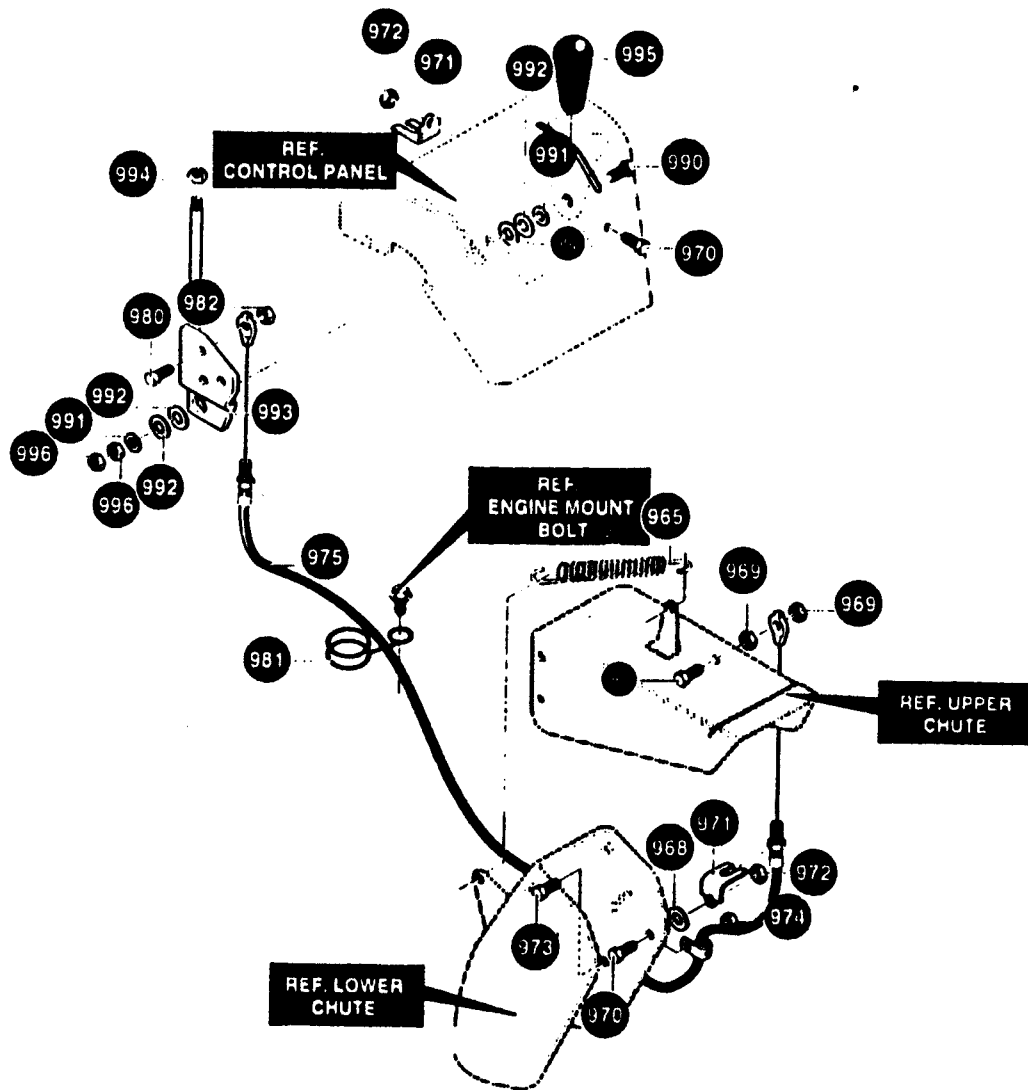


REF NO.	PART NO.	PART NAME
850	601 00 17 49	CRANK, ASSY W/YOKE
854	601 00 20 48	HANDLE, CRANK
855	601 00 00 20	WASHER, FLAT
856	601 00 18 63	NUT, PUSH ON 3/8"
860	601 00 17 50	BOLT, EYE 6"
861	601 00 14 08	GROMMET, EYE BOLT
862	601 00 20 51	BOOT, EYE BOLT
863	601 00 14 09	NUT, 3/8-16 HEXJAM
864	601 00 00 20	WASHER, FLAT .406X .81X.065

REF NO.	PART NO.	PART NAME
865	601 00 20 52	ADAPTER, BOOT
866	601 00 00 20	WASHER, FLAT .406X .81X.065
867	601 00 06 53	NUT, 3/8-16
870	601 00 18 30	BRACKET, WORM
871	601 00 18 31	WORM, GEAR CHUTE
872	601 00 20 53	BLOCK, UNIVERSAL
873	601 00 20 54	PIN, CLEVIS
874	601 00 20 55	PIN, UNIV JOINT
875	601 00 18 35	PIN, COTTER .06X .50

# 27" SNOW THROWER MODEL ST927E

## REMOTE CHUTE ASSEMBLY



337609G

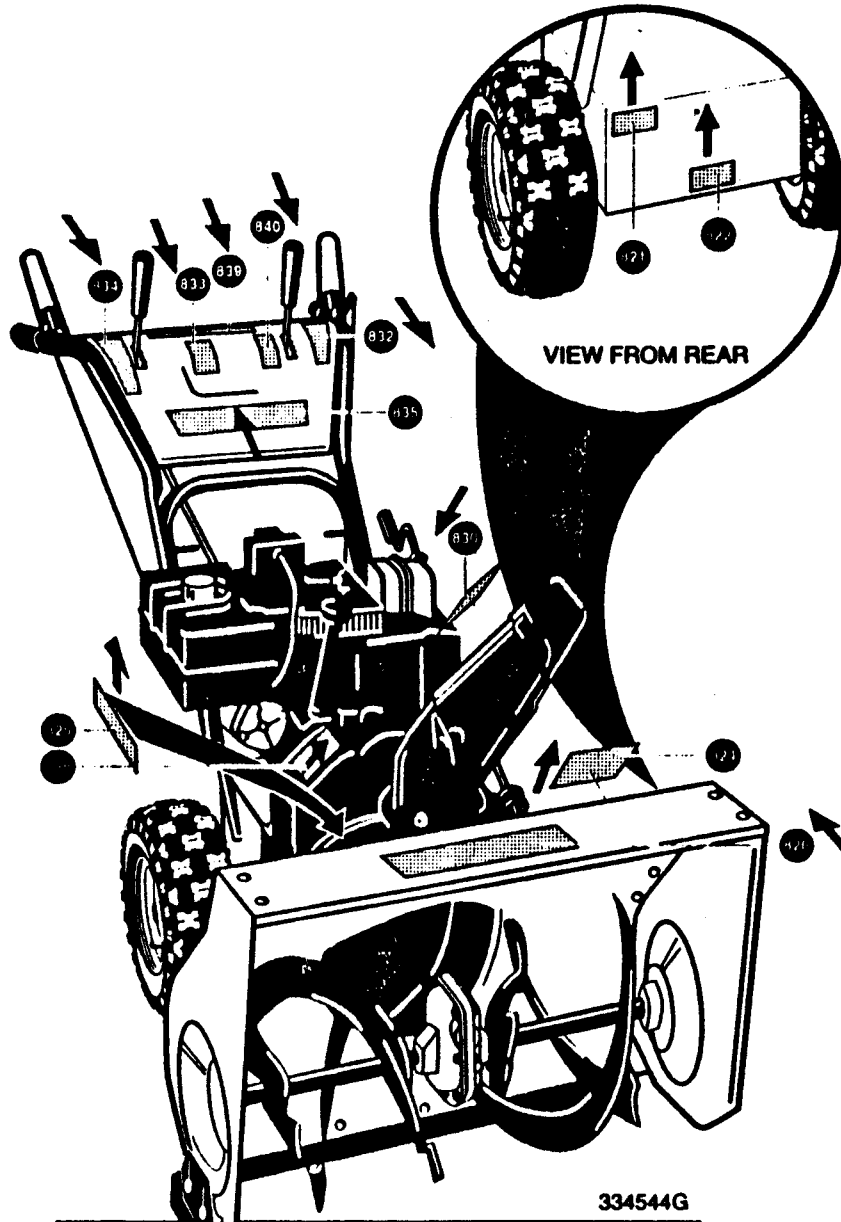
REF NO.	PART NO.	PART NAME
965	601 00 23 89	SPRING, TENSION
967	601 00 16 39	SCREW, 1/4-20 X 1.00
968	601 00 00 19	WASHER, FLAT .344 X .69 X .065
969	601 00 23 18	NUT, 1/4-20
970	601 00 00 73	SCREW, 5/16-18 X .75
971	601 00 23 90	BRACKET, CABLE CHUTE
972	601 00 00 59	NUT, 5/16-18\
973	601 00 05 14	SCREW, 10-24 X .38
974	601 00 16 42	NUT, #10-24
975	601 00 23 91	CABLE, CHUTE
980	601 00 00 68	SCREW, 1/4-20 X .75

REF NO.	PART NO.	PART NAME
981	601 00 23 92	WIRE FORM
982	601 00 23 10	NUT, 1/4-20
990	601 00 00 34	SCREW, 3/8-16 X .75
991	601 00 00 20	WASHER, FLAT .406 X .81 X .065
992	601 00 16 47	WASHER, SPRING
993	601 0023 93	HANDLE, ASSY
994	601 00 00 60	NUT, 3/8-16
995	601 00 02 36	HANDLE, 3/8-16
996	601 00 06 53	NUT, 3/8-16

# 27" SNOW THROWER MODEL ST927E

↑ Symbol denotes top of decal application.

## DECALS



334544G

REF NO.	PART NO.	PART NAME
821	-	NOT A SERVICABLE PART
822	601 00 23 74	DECAL, OVER ADJ OF DISC
824	601 00 23 29	DECAL, DANGER AUGER
825	601 00 23 31	DECAL, DANGER
826	601 00 21 71	DECAL, ST927E
830	601 00 23 30	DECAL, DANGER CHUTE
832	601 00 15 81	DECAL, TRACTION DRIVE
833	601 00 23 76	DECAL, SNOW CONDITIONS
834	601 00 15 83	DECAL, GEAR SELECT
835	601 00 21 72	DECAL, CONTROL PANEL
838	601 00 23 77	DECAL, BELT STRETCH & ADJ
839	601 00 23 87	DECAL, SINGLE HAND
840	601 00 23 88	DECAL, CHUTE CONTROL