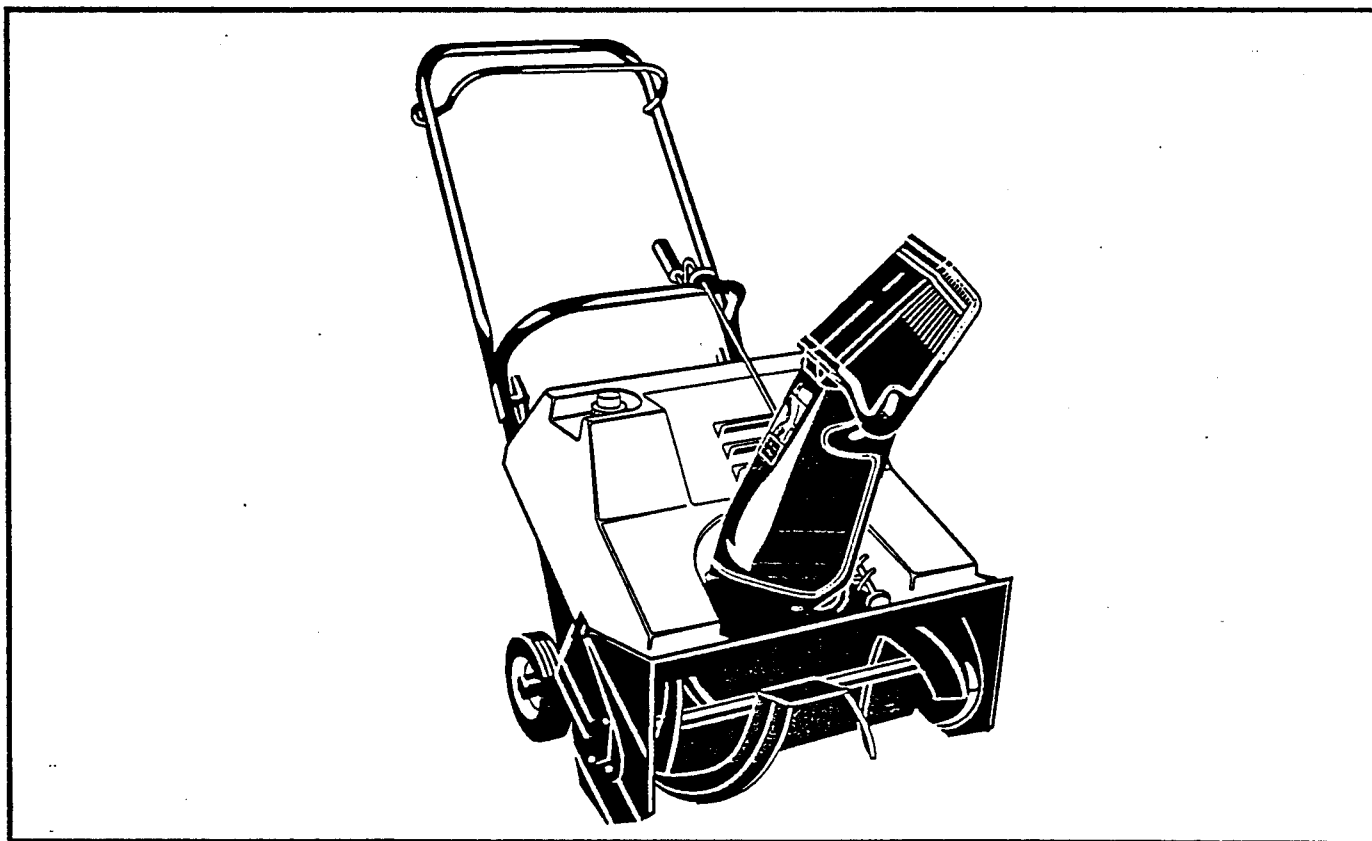


ST20



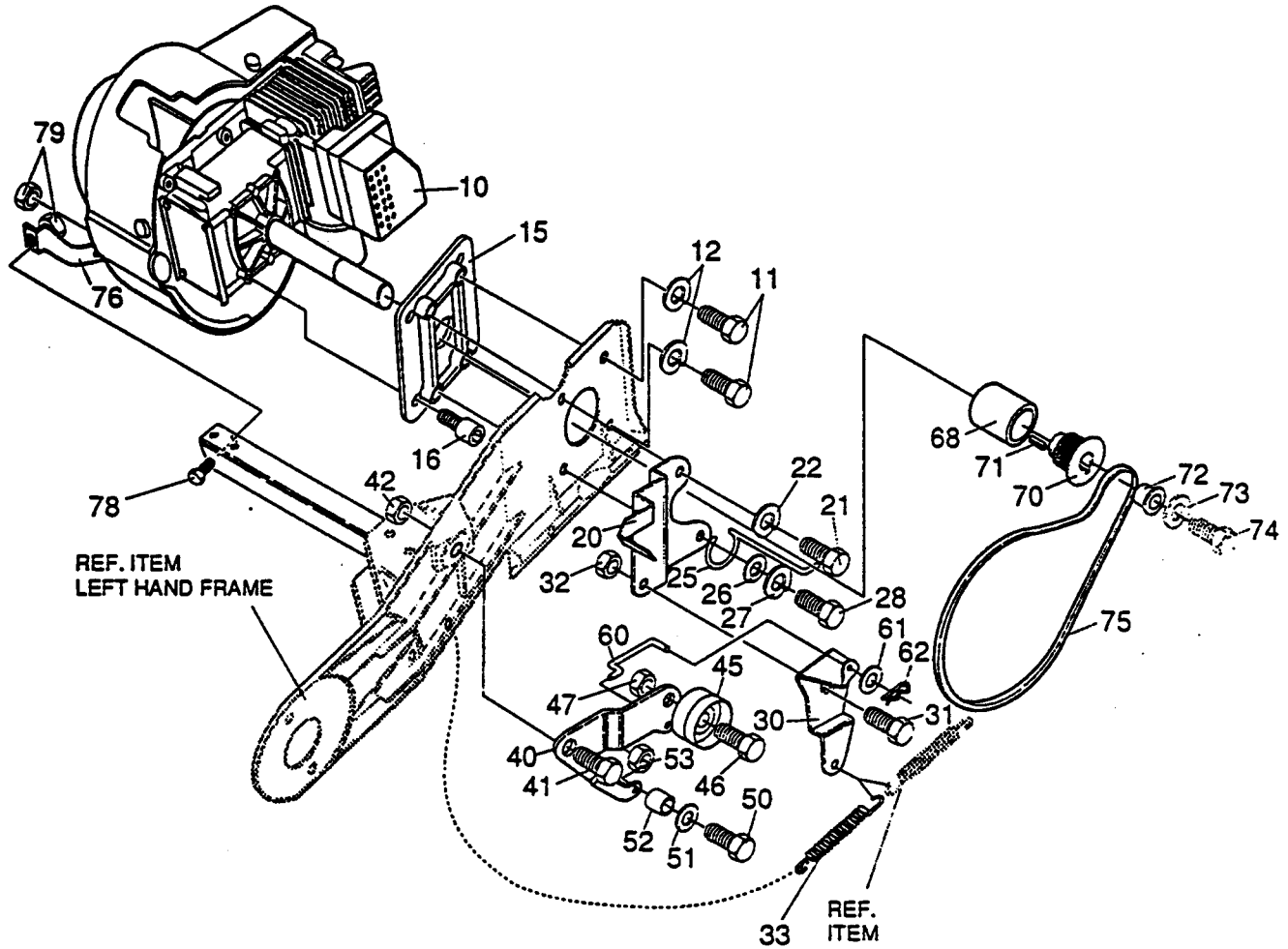
1.1995

Spare Parts

Pièces Détachées

4.5HP/20" SNOW THROWER MODEL ST20

ENGINE REPAIR PARTS

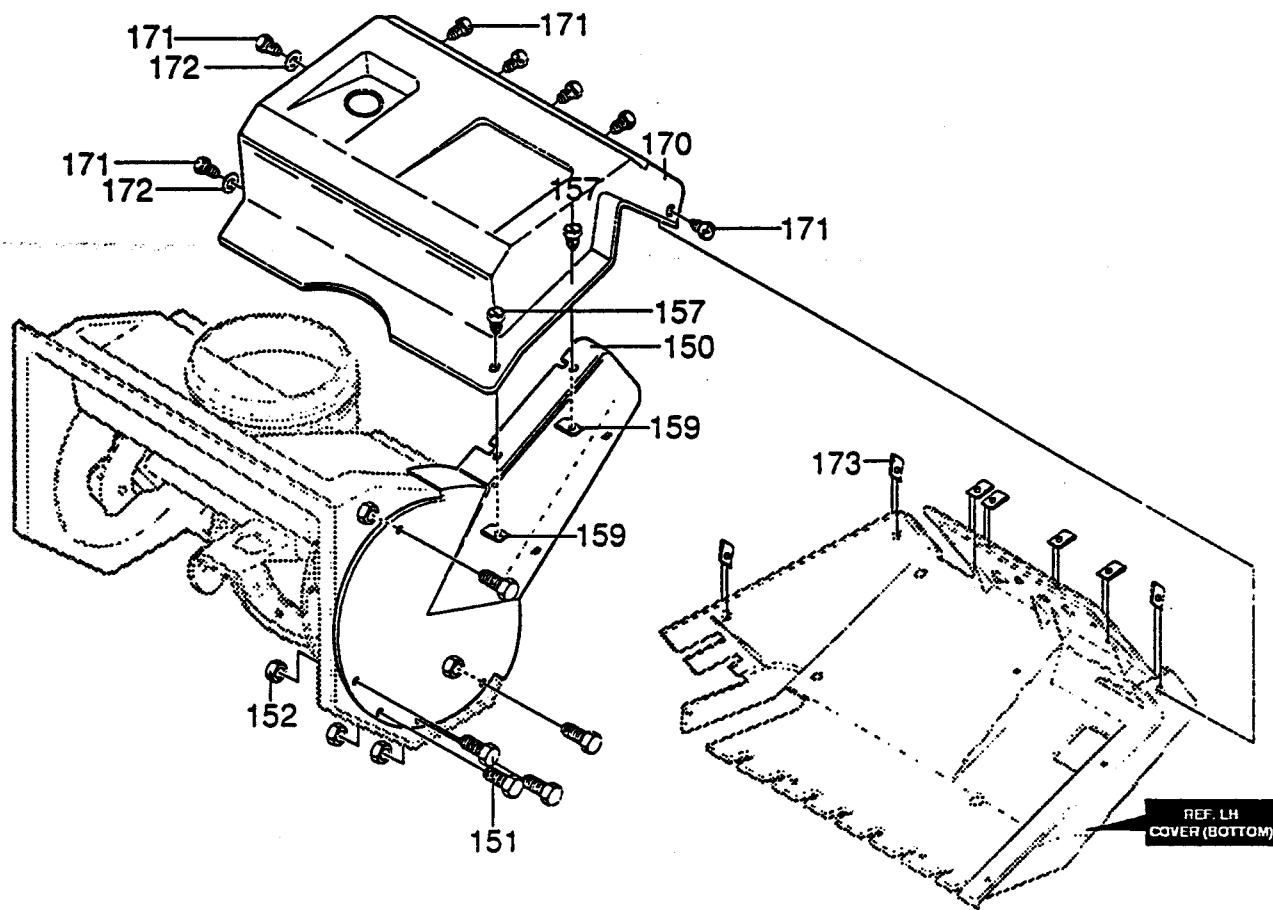


REF. NO.	PART NO.	PART NAME
10		ENGINE, 4HP 2CYL (SEE ENGINE MANUAL)
11	601 00 00 78	SCREW, 5/16-24 X .63 HHC
12	601 00 00 23	WASHER HVSP TLK
15	601 00 13 23	PLATE, ENGINE ADAPTER
16	601 00 13 24	SCREW, 5/16-24 X 5/8
20	601 00 13 25	BRKT, IDLER PIVOT
21	601 00 00 78	SCREW, 5/16-24X .63
22	601 00 00 23	WASHER, HVSP TLK
25	601 00 13 26	GUIDE, BELT
26	601 00 00 19	FLATWASHER .344X.69X.065
27	601 00 00 23	WASHER, HVSP TLK
28	601 00 13 27	SCREW, 5/16-24X1.00
30	601 00 13 28	ARM, IDLER PIVOT
31	601 00 13 29	BOLT, .500X .182
32	601 00 00 59	NUT, 5/16-18 REGHEXCTR LK
33	601 00 13 30	SPRING, EXT
40	601 00 13 31	ARM, IDLER
41	601 00 13 32	BOLT, .500X .182 SHOULDER
42	601 00 00 59	NUT, 5/16-18 REGHEXCTR LK
45	601 00 13 33	PULLEY, IDLER

REF. NO.	PART NO.	PART NAME
46	601 00 13 34	SCREW, 3/8-16X1.50
47	601 00 13 35	NUT, 3/8-16 HEXCTR LKJAM
50	601 00 12 93	SCREW, 1/4-20X1.50
51	601 00 00 18	FLATWASHER .281X.63X.065
52	601 00 13 36	ROLLER, BELT
53	601 00 00 62	NUT, 1/4-20 REGHEXCTR LK
60	601 00 13 37	ROD, CLUTCH
61	601 00 05 33	FLATWASHER .188X.38X.040
62	601 00 00 26	PIN, COTTER
68		OPTIONAL
70	601 00 13 38	PULLEY, ENGINE
71	601 00 13 39	KEY, SQUARE
72	601 00 13 40	PLUG, ENGINE PULLEY
73	601 00 00 23	WASHER, HVSP TLK
74	601 00 13 41	SCREW, 5/16-24X1.00
75	601 00 13 42	BELT, POLY-V
76	601 00 13 43	BRACKET, ENGINE SUPPORT
78	601 00 10 06	SCREW, 5/16-18X .63
79	601 00 00 59	NUT, 5/16-18 REGHEXCTR LK
	601 00 13 44	MANUAL, OWNERS (NOT SHOWN)

4.5HP/20" SNOW THROWER MODEL ST20

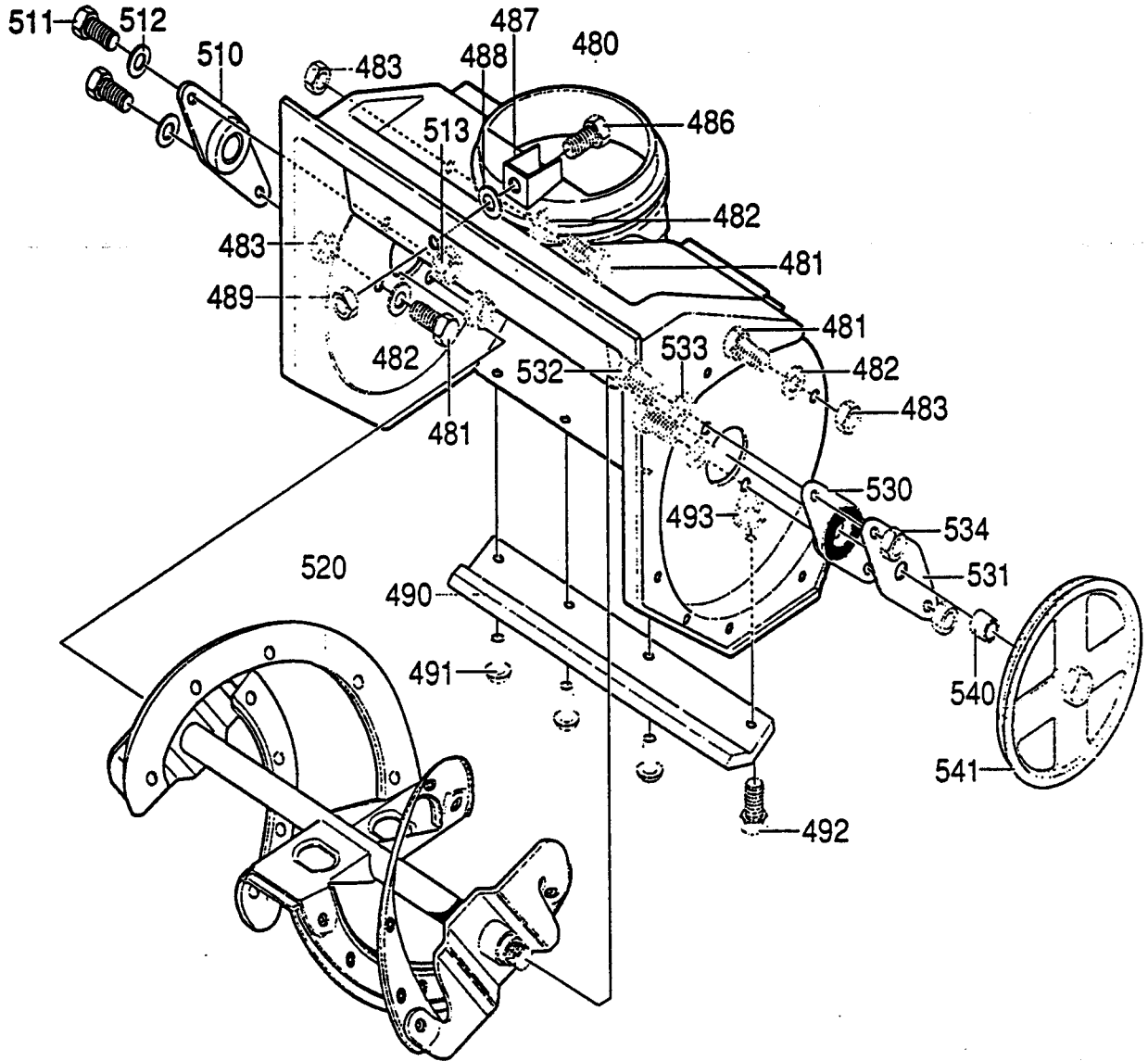
BELT COVER REPAIR PARTS



REF. NO.	PART NO.	PART NAME
150	601 00 13 65	COVER, BELT
151	601 00 13 66	SCREW, 10-24X .50
152	601 00 13 67	NUT, #10-24
157	601 00 13 68	SCREW, 1/4-14X .75
159	601 00 13 69	NUT, 1/4-10 SPEED J TYPE
170	601 00 13 70	COVER, TOP
171	601 00 13 68	SCREW, 1/4-14X .75
172	601 00 00 18	FLATWASHER .281X.63X.065
173	601 00 13 69	NUT, 1/4-10 SPEED J TYPE

4.5HP/20" SNOW THROWER MODEL ST20

AUGER HOUSING REPAIR PARTS

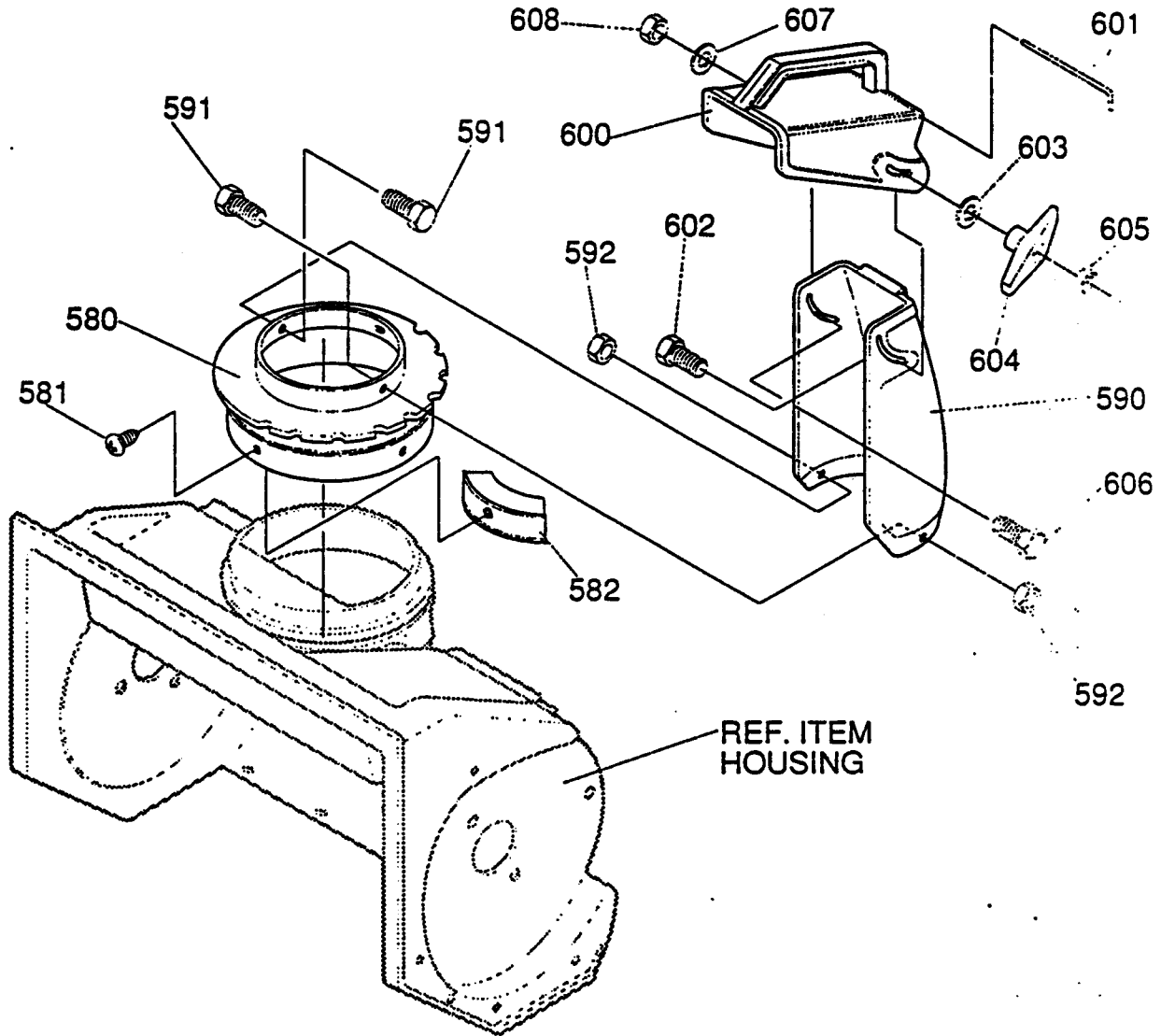


REF. NO.	PART NO.	PART NAME
480	601 00 13 73	HOUSING, RING & AUGER
481	601 00 00 68	SCREW, 1/4-20X .75
482	601 00 00 18	WASHER, FLAT
483	601 00 00 62	NUT, 1/4-20 REGHEXCTRLK
486	601 00 13 74	SCREW, 1/4-20X .63
487	601 00 13 75	BRACKET, STOP
488	601 00 13 76	WASHER, FLAT
489	601 00 00 62	NUT, 1/4-20 REGHEXCTRLK
490	601 00 13 77	BLADE, SCRAPER
491	601 00 13 78	RIVET
492	601 00 00 68	SCREW, 1/4-20X .75
493	601 00 08 27	NUT, 1/4-20
510	601 00 13 79	BRNG, FL

REF. NO.	PART NO.	PART NAME
511	601 00 13 80	SCREW, 1/4-20X .88
512	601 00 00 18	FLATWASHER .281X.63X.065
513	601 00 08 27	NUT, 1/4-20
520	601 00 13 71	AUGER, ASSY COMP
530	601 00 13 72	BRNG & PLATE, ASSY
531	601 00 13 81	RETAINER, BRNG
532	601 00 00 67	SCREW, 1/4-20X.62
533	601 00 00 18	WASHER, FLAT
534	601 00 00 62	NUT, 1/4-20 REGHEXCTRLK
540	601 00 13 82	SPACER, SLEEVE
541	601 00 13 83	PULLEY, POLY V6

4.5HP/20" SNOW THROWER MODEL ST20

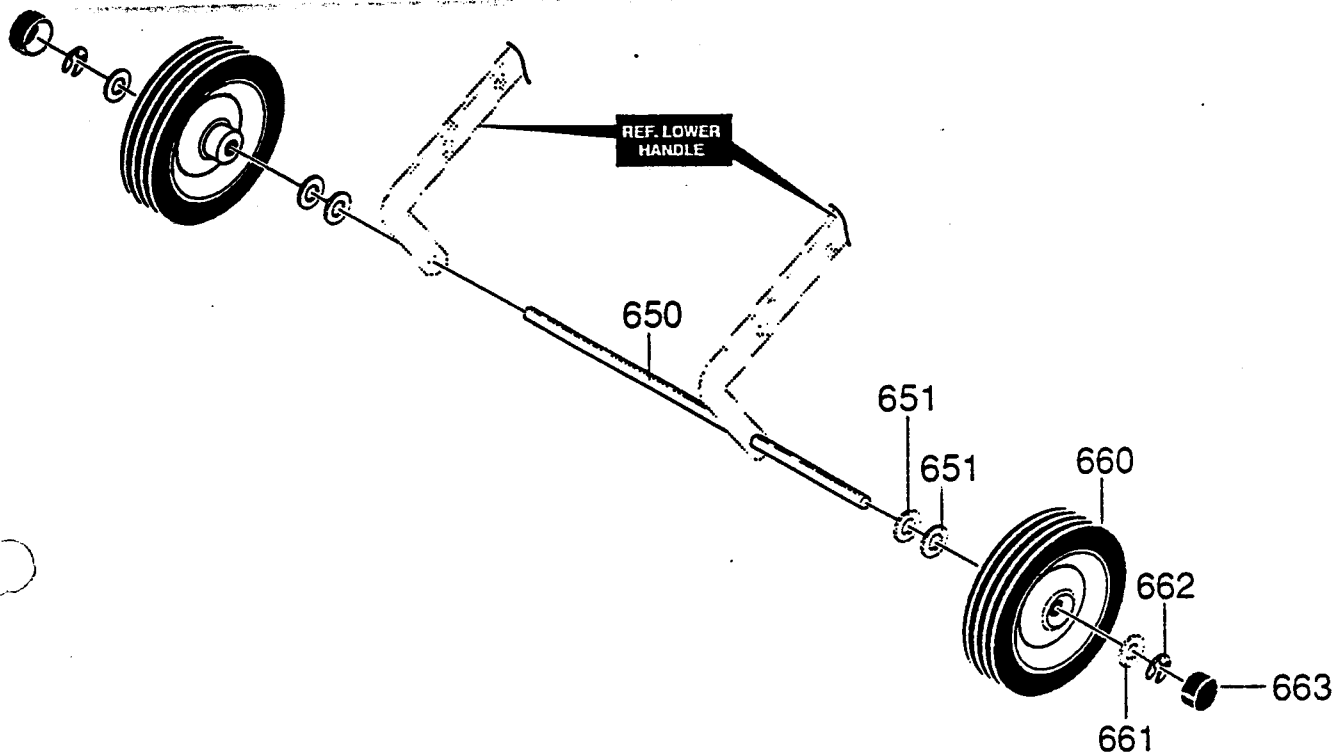
DISCHARGE CHUTE REPAIR PARTS



REF. NO.	PART NO.	PART NAME
580	601 00 13 84	RING, CHUTE
581	601 00 13 85	SCREW, 10-14X .50
582	601 00 13 86	GUIDE, CHUTE
590	601 00 13 87	CHUTE, LOWER
591	601 00 00 66	SCREW, 1/4-20X .50
592	601 00 08 27	NUT, 1/4-20 REGHEXCTRLK
600	601 00 13 88	CHUTE, UPPER
601	601 00 13 89	WIRE, HINGE
602	601 00 13 90	BOLT, 5/16-18X1.25
603	601 00 00 19	FLATWASHER .344X.69X.065
604	601 00 06 84	KNOB, T W/ NUT
605	601 00 00 12	NUT, 5/16-18 REGHEX
606	601 00 13 91	SCREW, 5/16-18X.75
607	601 00 00 19	FLATWASHER .344X.69X.065
608	601 00 00 59	NUT, 5/16-18 REGHEXCTRLK

4.5HP/20" SNOW THROWER MODEL ST20

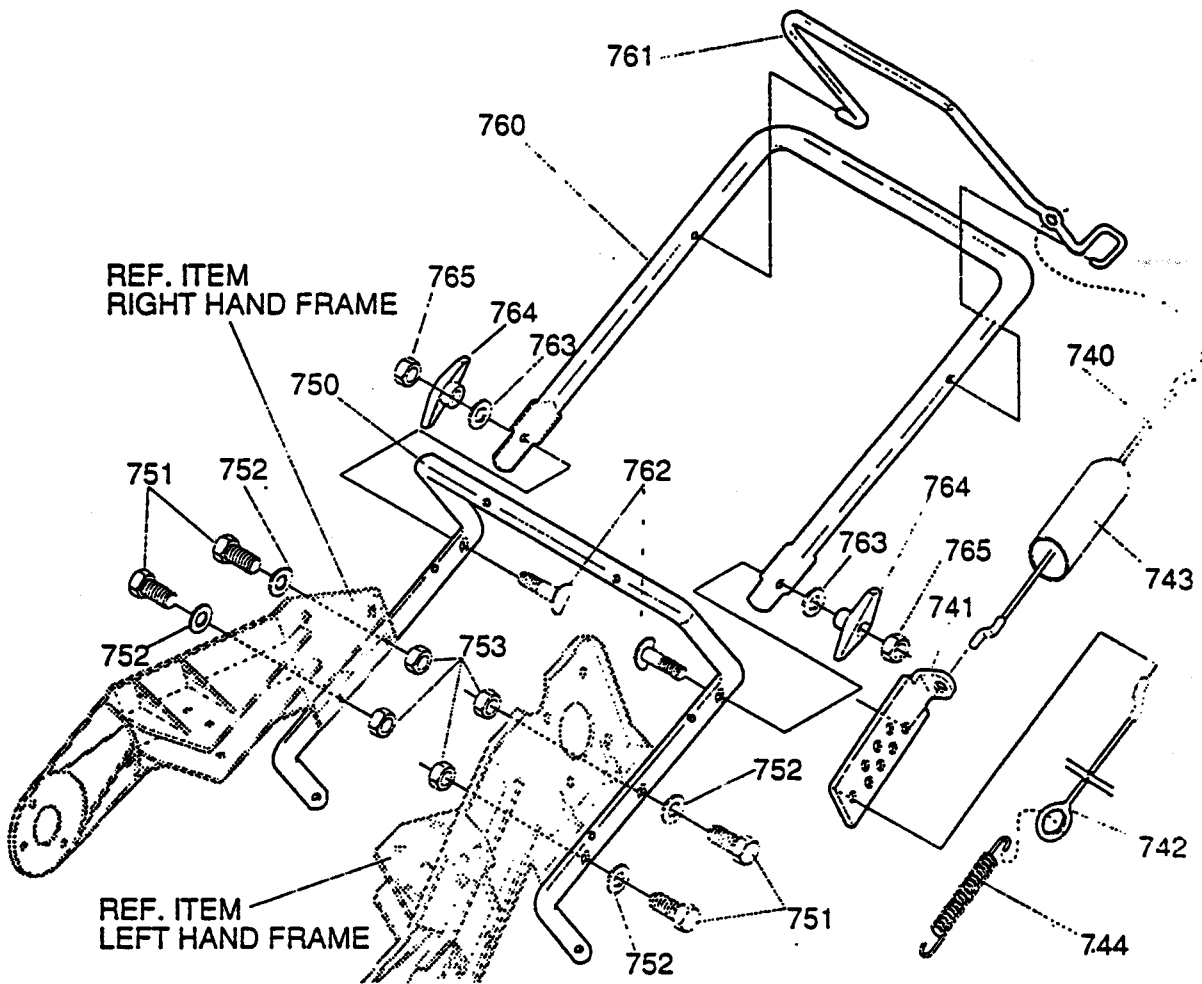
WHEEL ASSEMBLY REPAIR PARTS



REF. NO.	PART NO.	PART NAME
650	601 00 14 28	AXLE, 7" SHAFT
651	601 00 06 70	FLATWASHER .391X1.00X.125
660	601 00 14 29	TIRE & RIM 7X1.50
661	601 00 06 70	FLATWASHER .391X1.00X.125
662	601 00 14 30	RING, RET E
663	601 00 14 25	HUB CAP 3/20

4.5HP/20" SNOW THROWER MODEL ST20

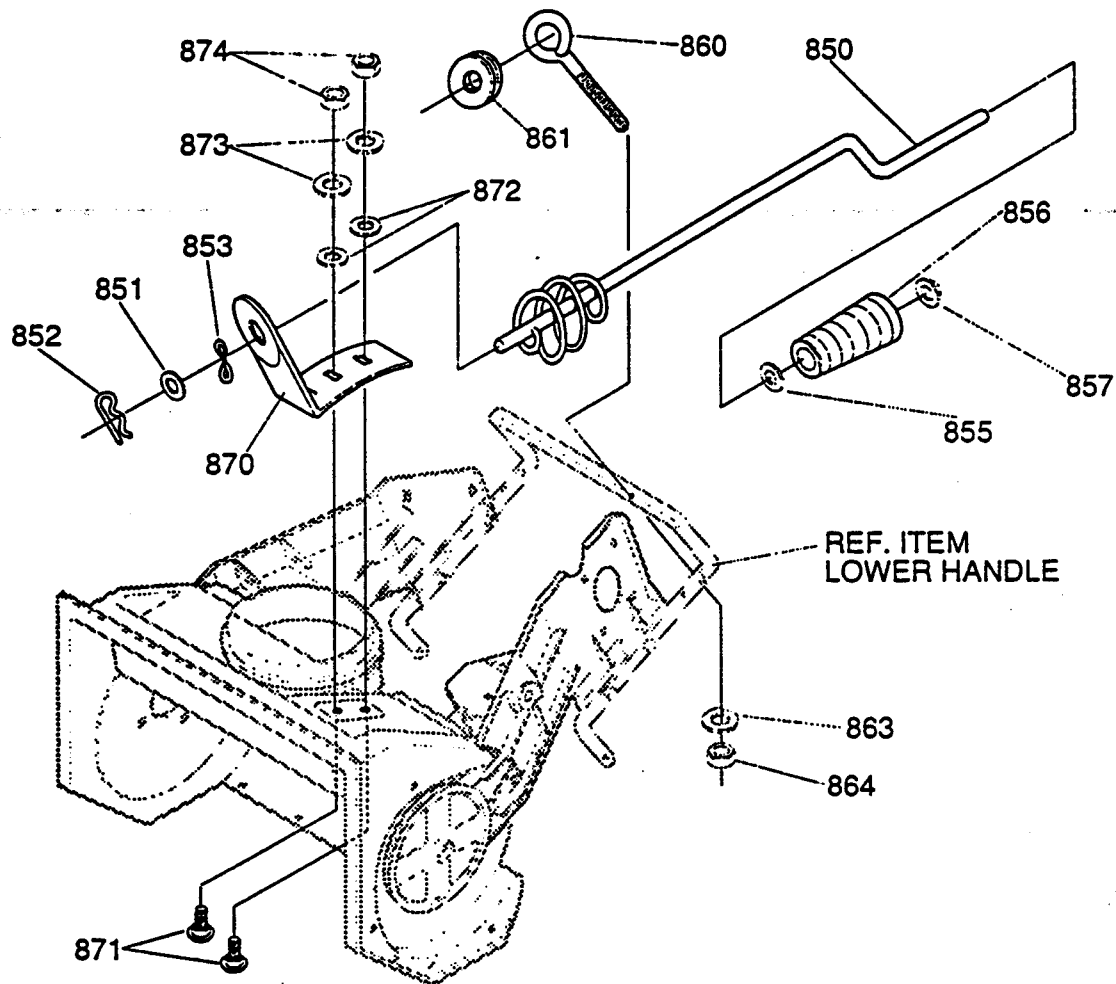
HANDLE REPAIR PARTS



REF. NO.	PART NO.	PART NAME
740	601 00 13 92	CABLE, UPPER CONTROL
741	601 00 13 93	BRKT, CABLE ADJ
742	601 00 13 94	CABLE, LOWER CONTROL
743	601 00 13 95	BOOT, CLUTCH SPRING
744	601 00 13 96	SPRING, EXT
750	601 00 13 97	HDL, LOWER
751	601 00 00 69	SCREW, 1/4-20X1.25
752	601 00 00 18	FLATWASHER .281X.63X.065
753	601 00 00 62	NUT, 1/4-20 REGHEXCTRLK
760	601 00 13 98	HANDLE, UPPER
761	601 00 13 99	BAIL, CONTROL
762	601 00 14 00	BOLT, 5/16-18X1.75
763	601 00 14 01	WASHER, FORM
764	601 00 06 84	KNOB, T W/ NUT
765	601 00 00 12	NUT, 5/16-18 REGHEX

4.5HP/20" SNOW THROWER MODEL ST20

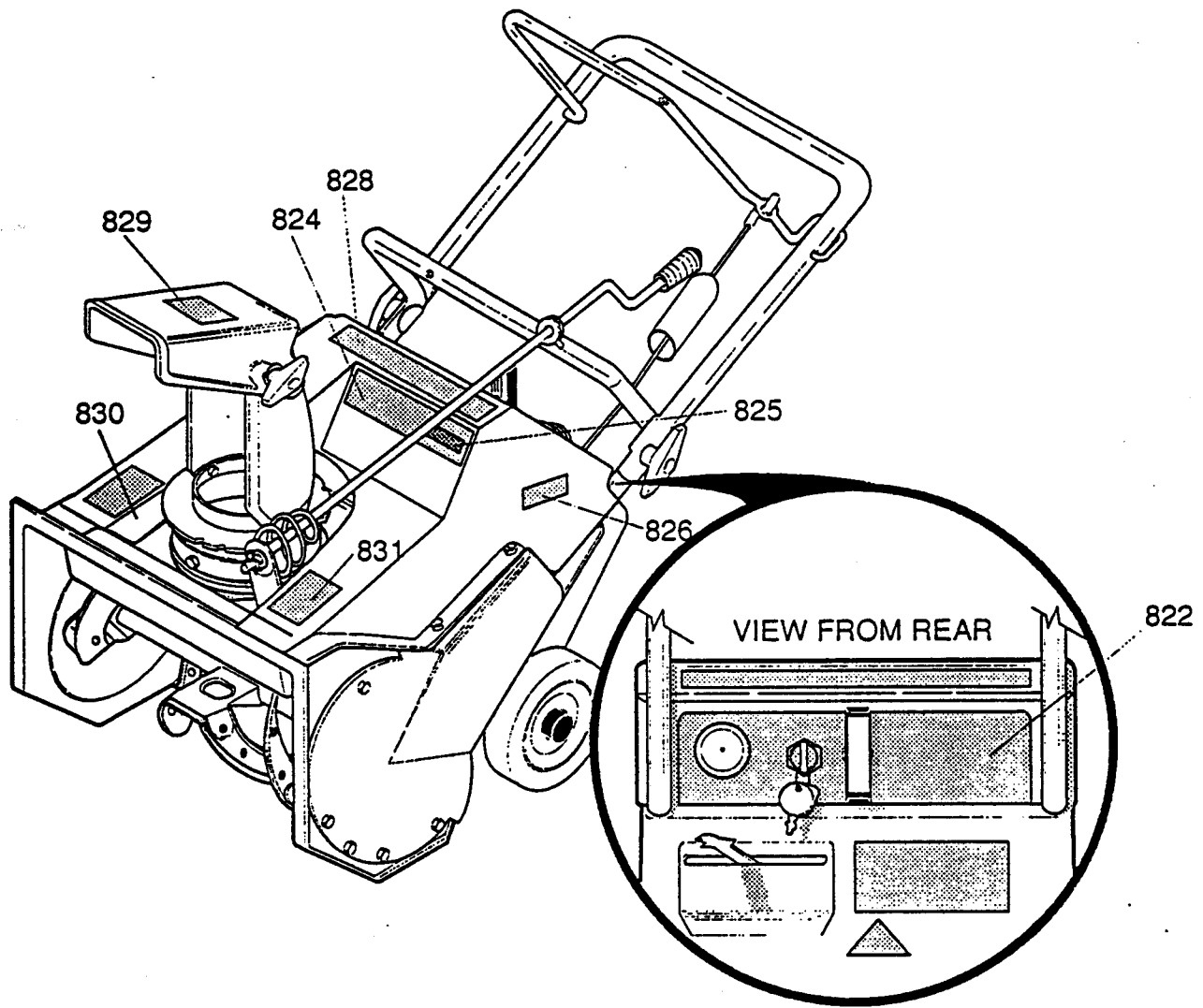
CHUTE CONTROL ROD REPAIR PARTS



REF. NO.	PART NO.	PART NAME
850	601 00 14 02	ROD, ASSY UPR CHUTE CTRL
851	601 00 00 20	FLATWASHER .406X.81X.065
852	601 00 14 03	PIN, COTTER
853	601 00 14 04	WASHER, CURVED SPRING
855	601 00 00 20	FLATWASHER .406X.81X.065
856	601 00 14 05	KNOB, SLEEVE
857	601 00 14 06	CAP NUT, PUSH-ON
860	601 00 14 07	BOLT, EYE
861	601 00 14 08	GROMMET, EYE BOLT
863	601 00 00 15	WASHER, REGSPTLK
864	601 00 14 09	NUT, 3/8-16
870	601 00 14 10	BRACKET, CHUTE ROTATE
871	601 00 14 11	BOLT, 5/16-18X .75
872	601 00 14 12	WASHER, FLAT
873	601 00 00 23	WASHER, HVSPTLK
874	601 00 00 12	NUT, 5/16-18 REGHEXCTRLK

4.5HP/20" SNOW THROWER MODEL ST20

DECALS



REF. NO.	PART NO.	PART NAME
822	601 00 14 13	DECAL, CONTROL PANEL
826	601 00 14 14	DECAL, DANGER MUFFLER
828	601 00 14 15	DECAL, START INSTR
829	601 00 14 16	DECAL, DANGER CHUTE
830	601 00 14 16	DECAL, DANGER CHUTE
831	601 00 14 17	DECAL, DANGER AUGER