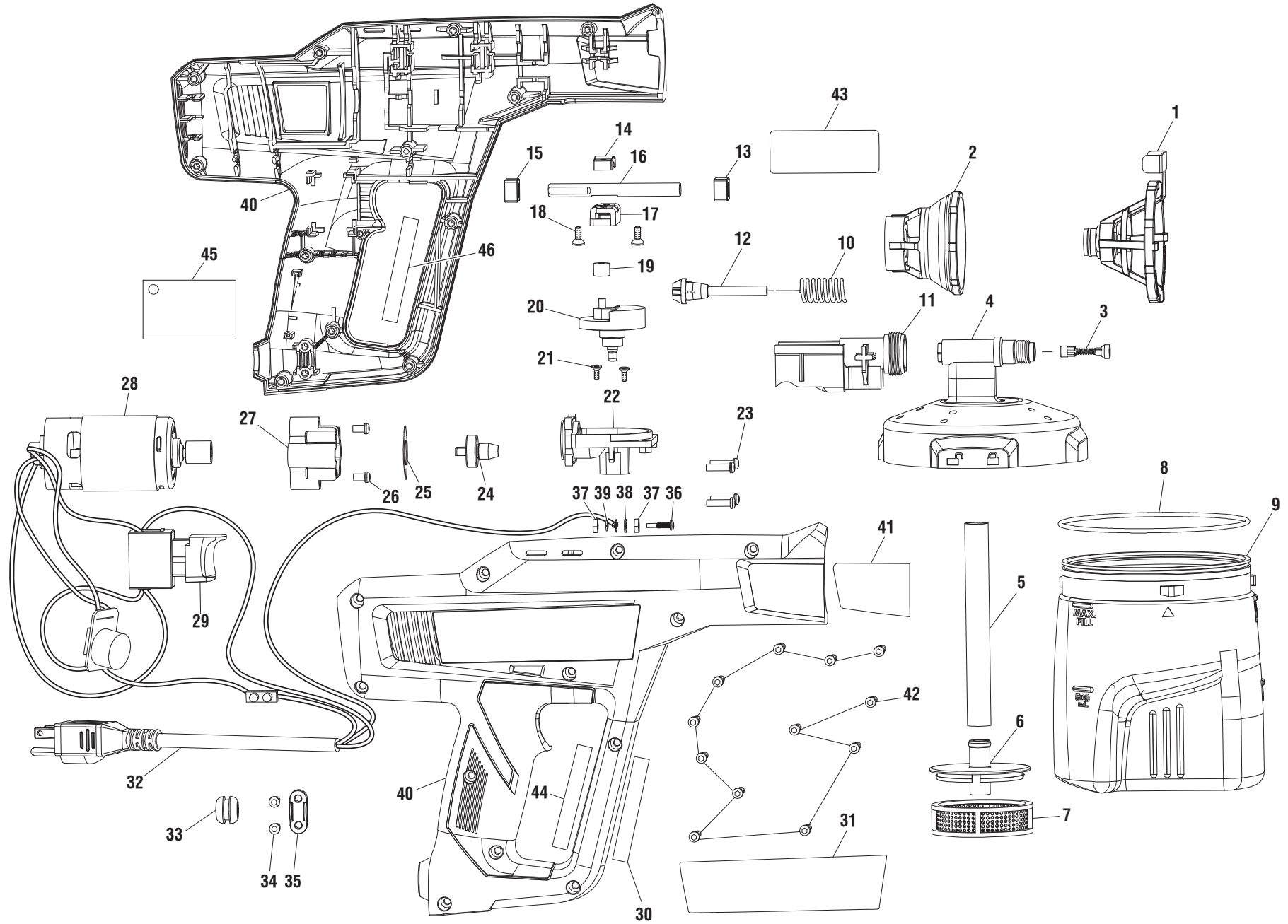


RYOBI POWER PAINT SPRAYER TOOL - MODEL NUMBER SSP0501



RYOBI POWER PAINT SPRAYER TOOL – MODEL NUMBER SSP0501

The model number will be found on a label attached to the housing assembly. Always mention the model number in all correspondence regarding your **POWER PAINT SPRAYER TOOL** or when ordering parts.

PARTS LIST

KEY NO.	PART NUMBER	DESCRIPTION	QTY	KEY NO.	PART NUMBER	DESCRIPTION	QTY
1	303970005	Spray Wide Angle Tip Assembly	1	28	201961001	Motor and Transmission Shaft Assembly.....	1
2	519459001	Lock Nut.....	1	29	206041001	Switch Assembly.....	1
3	303265002	Swirl Valve Assembly	2	30	940221100	Warning Label (English).....	1
4	303221008	Pump Housing Assembly.....	1	31	940488500	Data Label	1
5	562549002	Painter Hose (OD15 x ID12)	1	32	730377047	Power Cord	1
6	521788001	Suction Tube	1	33	560141002	Power Cord Guide Ring	1
7	521789001	Suction Mesh Set.....	1	34	660272001	Screw (M4 x 14 mm)	2
8	560159002	O-Ring	1	35	590501001	Cord Clamp.....	1
9	201144001	1 Qt. Container (Inc. Key 8).....	1	36	660414015	Screw (M4 x 5 mm, Torx T-20).....	1
10	692331001	Spring.....	1	37	680022004	Hex Nut (M4)	2
11	523746001	Pump Housing Holder.....	1	38	670030009	Spring Washer (OD7.2 x ID4.1 x 1t)	1
12	303233006	Piston Assembly.....	1	39	692397001	External Toothed Lock Washer (OD8.5 x ID4.3 x 0.45t).....	1
13	681261001	Front Sleeve	1	40	200163034	Housing Assembly	1
14	610766001	Cover Plate.....	1	41	940001176	Warning Label	1
15	681261002	Rear Sleeve	1	42	660208052	Screw (M4 x 16 mm, Pan Hd.)	12
16	673060001	Spindle	1	43	940114157	Logo Label	1
17	632475002	Slide Bracket.....	1	44	940221191	Warning Label (French)	1
18	661065001	Screw (M3.5 x 10 mm, Torx T-15).....	2	45	961007022	Ryobi Hang Tag (Spanish).....	1
19	300019005	Bushing Assembly w/Needle Bearing.....	1	46	940221114	Warning Label (Spanish)	1
20	304865001	Gear Box Assembly.....	1	Not Shown:			
21	660228016	Screw (M3 x 8 mm)	2	902332001	Lubricant	1	
22	304992001	Gear Housing Assembly.....	1	303263001	Cleaning Brush.....	1	
23	660206041	Screw (M3.5 x 14 mm, Pan Hd.)	4	988000803	Operator's Manual		
24	304991001	Bevel Pinion Assembly.....	1	2-20-13 (Rev:03)			
25	633664001	Washer (Special).....	1				
26	660212005	Screw (M4 x 8 mm, Pan Hd.)	2				
27	523903001	Motor Mounting.....	1				