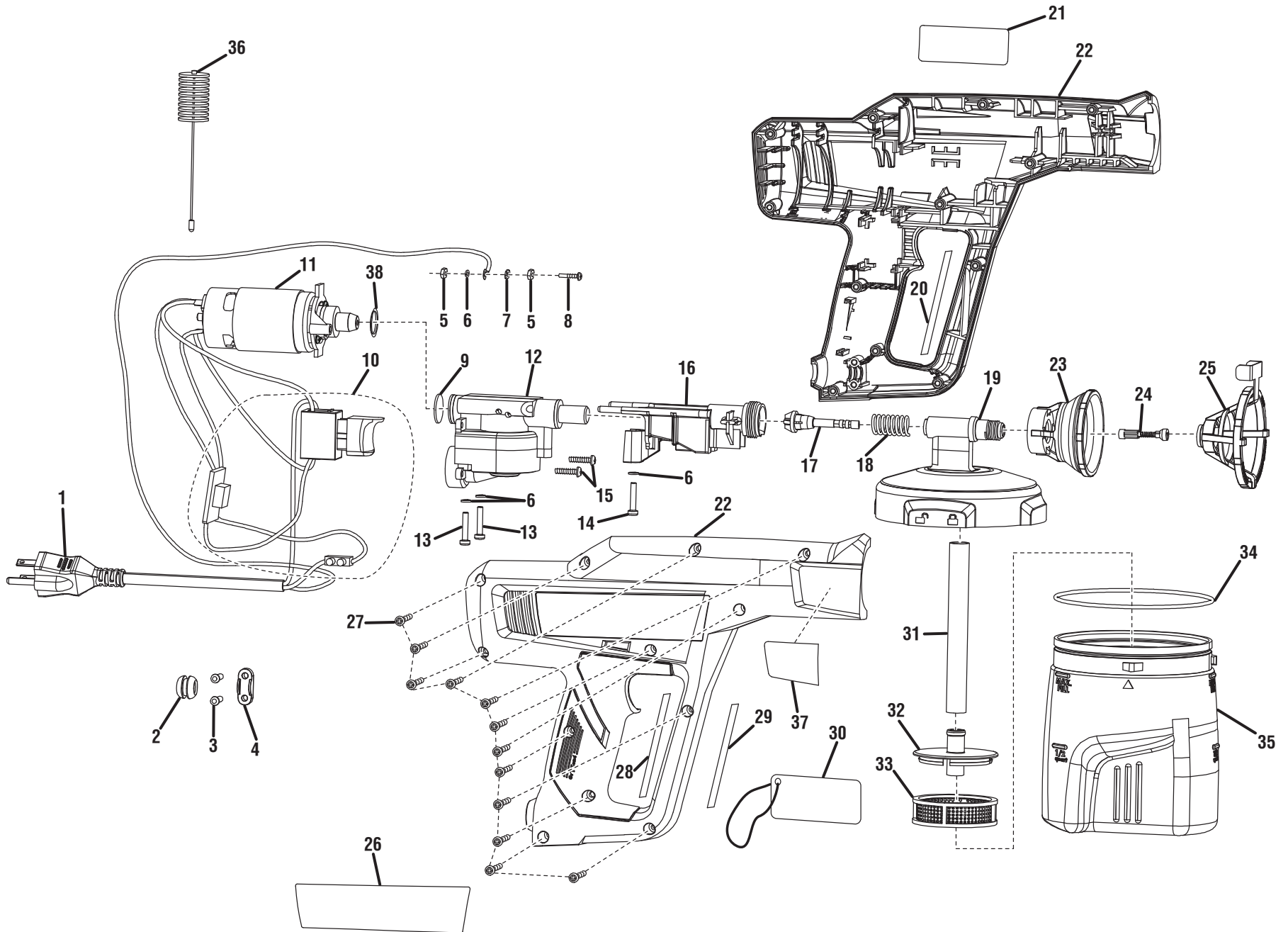


RYOBI POWER PAINT SPRAYER TOOL - MODEL NUMBER SSP050



## RYOBI POWER PAINT SPRAYER TOOL – MODEL NUMBER SSP050

The model number will be found on a label attached to the housing assembly. Always mention the model number in all correspondence regarding your **POWER PAINT SPRAYER TOOL** or when ordering parts.

### PARTS LIST

KEY NO.	PART NUMBER	DESCRIPTION	QTY	KEY NO.	PART NUMBER	DESCRIPTION	QTY
1	730377055	Power Cord .....	1	23	519459001	Locking Nut.....	1
2	560141002	Bend Relief.....	1	24	303265001	Atomizer Valve Assembly .....	2
3	6627201	Screw (M4 x 14 mm) .....	2	25	303970001	Wide Angle Tip Assembly .....	1
4	5950101	Cord Clamp.....	1	26	940032129	Data Label .....	1
5	680022004	Hex Nut (M4 x 3.2 mm) .....	2	27	660208052	Screw (M4 x 16 mm) .....	12
6	670030009	Washer (OD7.2 x ID4.1 x 1t).....	4	28	940221191	Warning Label (French) .....	1
7	692397001	Lock Washer (OD8.5 x ID4.3 x 0.45t).....	1	29	940221114	Warning Label (Spanish) .....	1
8	660414015	Screw (M4 x 14 mm, T20 Torx Recess).....	1	30	961007022	Hang Tag .....	1
9	902277001	Felt Seal .....	1	31	562549002	Painter Hose.....	1
10	200300048	Switch Assembly.....	1	32	521788001	Suction Tube .....	1
11	230278005	Motor & Pinion Assembly.....	1	33	521789001	Filter .....	1
12	220110007	Gear Box Assembly.....	1	34	560159001	O-Ring.....	1
13	660414014	Screw (M4 x 20 mm, T20 Torx Pan Hd.) .....	2	35	201144001	1 Qt. Quick-Lock Container (Inc. Key Nos. 34) .....	1
14	660414008	Screw (M4 x 20 mm, T20 Torx Pan Hd.) .....	1	36	303263001	Cleaning Brush Assembly .....	1
15	660024044	Screw (M4 x 16 mm, Pan Hd.) .....	2	37	940001176	Lubricant Label .....	1
16	521775001	Pump Housing Holder.....	1	38	671502001	Finger Disc Spring (22 mm).....	1
17	303233002	Piston Assembly.....	1	<b>Not Shown:</b>			
18	692331001	Compression Spring .....	1		988000148	How To Get Started Sheet .....	1
19	303221001	Pump Housing Assembly.....	1		902332001	Lubricant .....	1
20	940221100	Warning Label (English).....	1		987000995	Operator's Manual	
21	940114157	Logo Label .....	1		11-4-10 (Rev:04)		
22	200163032	Housing Assembly .....	1				