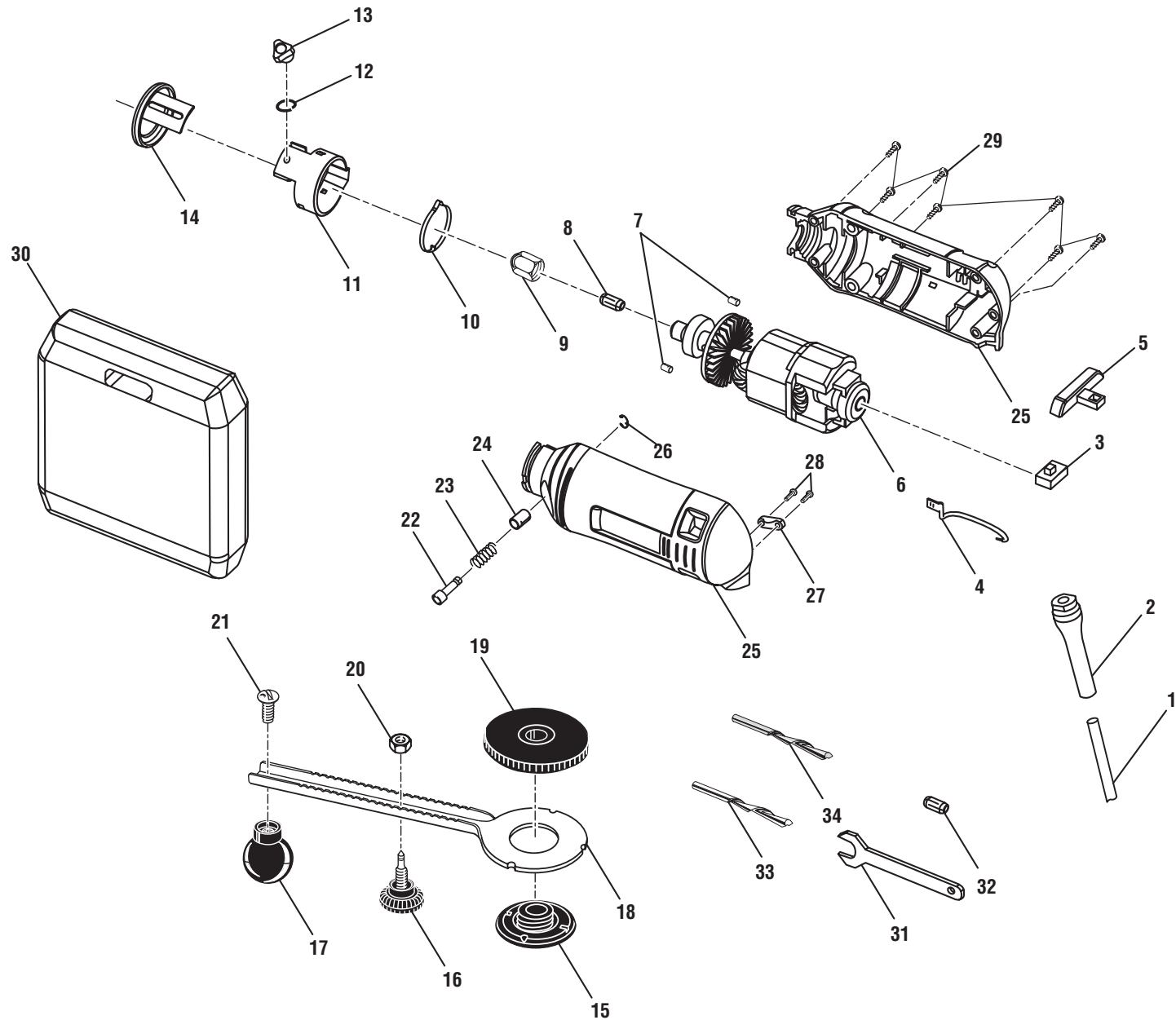


RYOBI SPEED SAW – MODEL NUMBER SS50



WARNING: Improper repair of a double insulated tool can result in damages to the double insulation system possibly causing electrical shock or electrocution. Any repairs requiring disassembly of your tool requires safety testing and should only be performed by a Ryobi Authorized Service Center. For the service center nearest you call 1-800-525-2579.

RYOBI SPEED SAW – MODEL NUMBER SS50

The model number will be found on a label attached to the motor housing. Always mention the model number in all correspondence regarding your **SPEED SAW** or when ordering repair parts.

PARTS LIST

KEY NO.	PART NO.	DESCRIPTION	QTY.	KEY NO.	PART NO.	DESCRIPTION	QTY.
1	7320207	Power Cord.....	1	21	6633701	M Screw.....	1
2	560783005	Bend Relief	1	22	6722901	Lock Pin.....	1
3	7618101	Switch.....	1	23	6723101	Return Spring	1
4	7733745	Lead w/ Terminal	1	24	6723001	Bushing.....	1
5	4027301	Switch Actuator	1	25	200202244	Housing Assembly.....	1
6	2305669	Motor	1	26	6725101	E-Ring.....	1
7	5671801	Rubber Pin.....	2	27	5931401	Cord Clamp	1
8	6904401	Collet (1/8 In.)	1	28	6620805	Screw (M4 x 16 mm).....	2
9	6904301	Collet Nut.....	1	29	6620805	Screw (M4 x 16 mm).....	7
10	6960101	Sleeve Spring	1	30	3063687	Carrying Case.....	1
11	6960201	Base Sleeve.....	1	31	6960401	Wrench	1
12	6725201	Lock Washer.....	1	32	6904501	Collet (1/4 In.)	1
13	3031702	Knob Assembly	1	33	6723302	Bit (1/8 In.)	1
14	6960301	Base Plate	1	34	6723301	Bit (1/8 In.)	1
15	5924301	Round Adaptor	1		Not Shown:		
16	3068801	Pivot Point Assembly.....	1		1263301	Complete Circle Cutter (Includes Key Nos. 15-21)	1
17	3031703	Knob Assembly	1		983000049	Operator's Manual.....	1
18	6946901	Circle Cutter Arm.....	1		11-21-11		
19	5924401	Threaded Knob.....	1		(REV:01)		
20	6633801	Hex Nut.....	1				