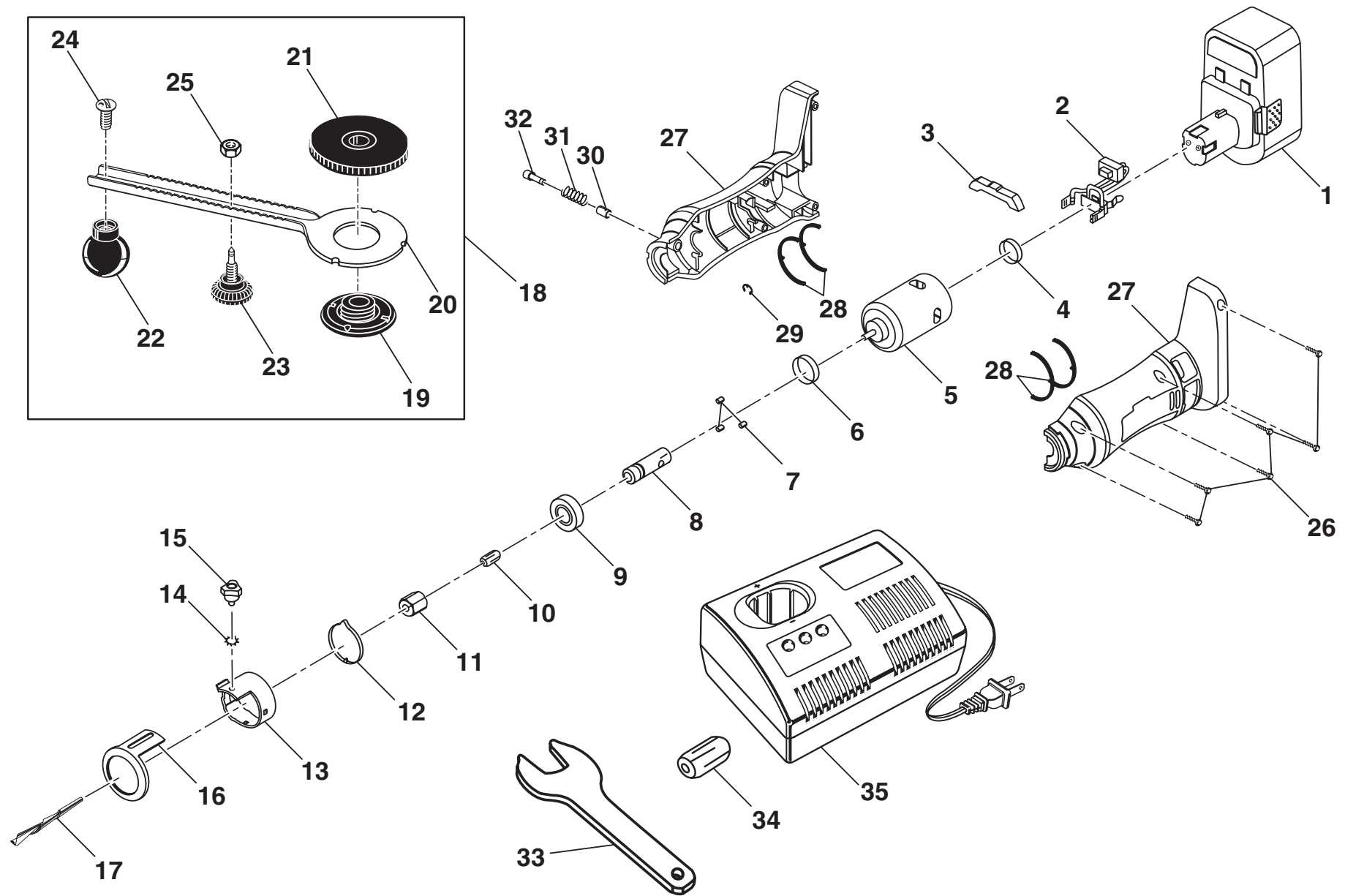


RYOBI SPEED SAW – MODEL NUMBER SS180



WARNING: Improper repair of a double insulated tool can result in damages to the double insulation system possibly causing electrical shock or electrocution. Any repairs requiring disassembly of your tool requires safety testing and should only be performed by a Ryobi Authorized Service Center. For the service center nearest you call 1-800-525-2579.

RYOBI SPEED SAW – MODEL NUMBER SS180

The model number will be found on a plate attached to the motor housing. Always mention the model number in all correspondence regarding your **SPEED SAW** or when ordering repair parts.

PARTS LIST

KEY NO.	PART NO.	DESCRIPTION	QTY.	KEY NO.	PART NO.	DESCRIPTION	QTY.
1	1322401	BATTERY	1	20	6946901	CIRCLE CUTTER ARM	1
2	983812-001	SWITCH ASSEMBLY	1	21	5924401	THREADED KNOB.....	1
3	3900201	SWITCH KNOB.....	1	22	3031703	KNOB ASSEMBLY	1
4	5991501	MOTOR RING (BACK)	1	23	3068801	PIVOT POINT ASSEMBLY	1
5	7439401	MOTOR.....	1	24	6633701	SCREW	1
6	5991401	MOTOR RING (FRONT)	1	25	6633801	NUT.....	1
7	5671801	RUBBER PIN	3	26	6620805	SCREW (M4 X 16 mm).....	6
8	6221501	OUTPUT SHAFT	1	27	983811-001	HOUSING ASSEMBLY	1
9	680071001	BALL BEARING	1	28	5605513	FOAM RUBBER.....	4
10	6904401	COLLET (1/8 in.)	1	29	6725101	E-RING.....	1
11	6904301	COLLET NUT	1	30	670230002	BUSHING.....	1
12	6960101	SLEEVE SPRING	1	31	6723101	SPRING.....	1
13	6960201	BASE SLEEVE	1	32	6722901	LOCK PIN	1
14	6725201	LOCK WASHER	1	33	6960401	WRENCH	1
15	3031704	KNOB ASSEMBLY	1	34	6904501	COLLET (1/4 in.)	1
16	6960301	BASE PLATE	1	35	1423701	CHARGER.....	1
17	6723302	BIT	1	36	3063688	CARRYING CASE (NOT SHOWN)	1
18	1263301	CIRCLE CUTTER ASSEMBLY (INC. 19-24).....	1		983000-065	OPERATOR'S MANUAL.....	1
19	5924301	ROUND ADAPTOR	1		983000-065R	REPAIR SHEET (REV: 00)	1
					10-24-05		