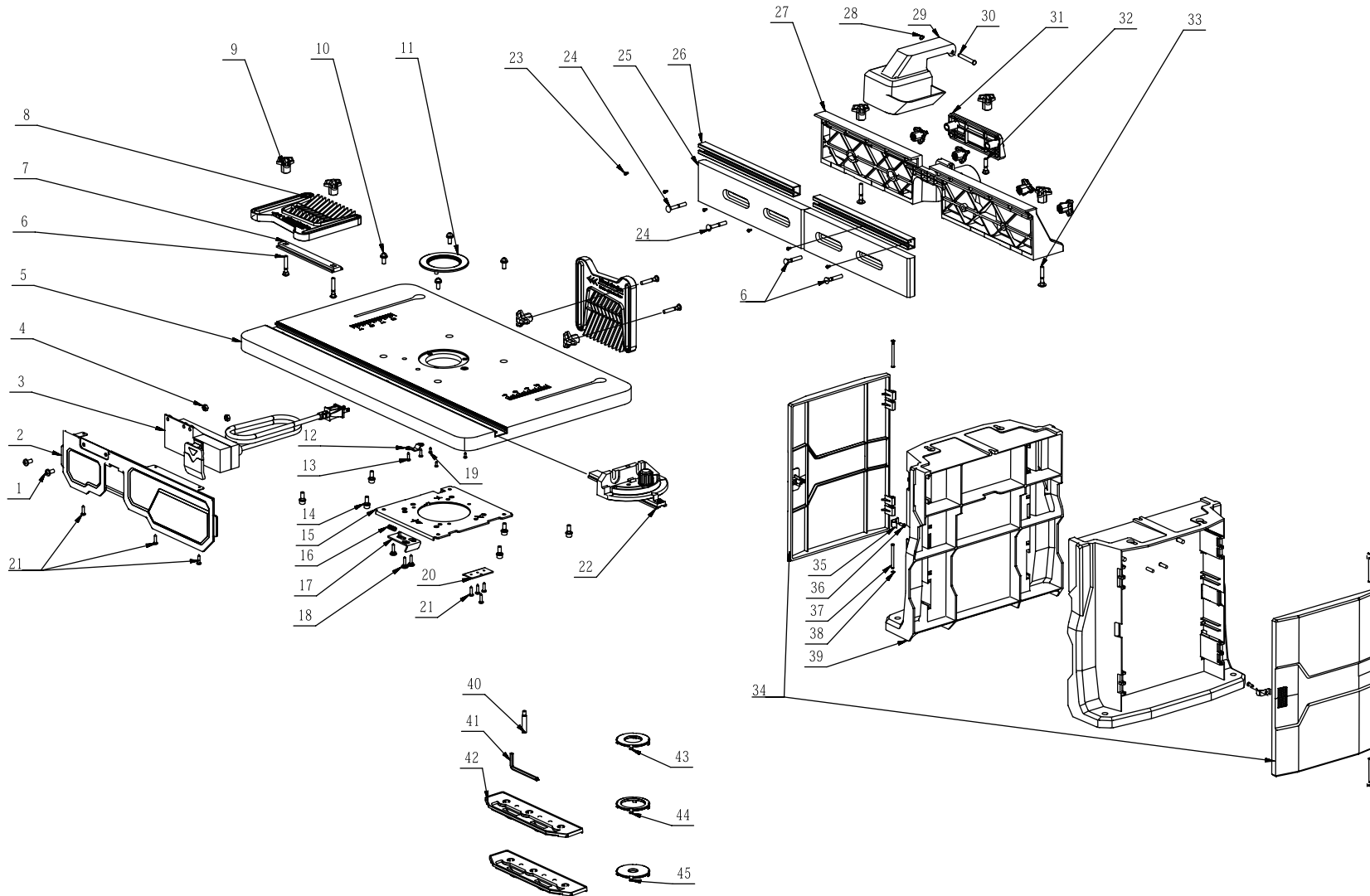




Product Description: Router Table
Model Number: SRT1039
Body Number: 0700005001
Version: A
Issue Date: 2021/04/27



No.	Product Model#	Part Number	Description	Qty
1	SRT1039	5620369001	Screw	2
2	SRT1039	3705929001	Panel	1
3	SRT1039	2822230001	Switch Box Assy	1
4	SRT1039	5630015002	evailing Torque Hexagon N	2
5	SRT1039	2828649001	Main Table Assembly	1
6	SRT1039	5640168006	Square Neck Bolt	6
7	SRT1039	3132470001	Feather Holding Board	1
8	SRT1039	3127096002	Feather Board	2
9	SRT1039	3132473001	Knob	11
10	SRT1039	5620386002	Screw With Washer	4
11	SRT1039	3132471001	Adapter Ring	1
12	SRT1039	3705764001	Bearing Clamp	1
13	SRT1039	5610023005	Tapping Screw	2
14	SRT1039	5610852001	Screw and Washer Assembly	6
15	SRT1039	3705930001	Mounting Plate	1
16	SRT1039	3660046001	Spring	1
17	SRT1039	3705928001	Clamp Plate	1
18	SRT1039	5610840001	Shoulder Screw	3
19	SRT1039	5610010006	Tapping Screw	3
20	SRT1039	3705927001	Pressure Plate	1
21	SRT1039	5610854001	s Recess Pan Head Wood S	7
22	SRT1039	2828539001	Miter Gauge Assembly	1
23	SRT1039	5610016003	Tapping Screw	6
24	SRT1039	5640249001	Square Neck Bolt	2
25	SRT1039	3708208001	Scaleboard	2
26	SRT1039	3708210001	Bracket of Feather board	2
27	SRT1039	3132462001	Fence	1
28	SRT1039	5660027002	Circlips For Shaft	1
29	SRT1039	3123240002	Transparent Guard	1
30	SRT1039	3550847001	Shaft	1
31	SRT1039	3132461001	Adjusting Plate	1
32	SRT1039	5640017004	Square Neck Bolt	1
33	SRT1039	5640455001	Cup Head Square Neck Bolt	2
34	SRT1039	2828654001	Supporting Leg Door	1
35	SRT1039	3660961001	Leaf Spring	2
36	SRT1039	5610093003	Tapping Screw	2
37	SRT1039	3553835001	Spindle	4
38	SRT1039	5660001002	E Ring	4
39	SRT1039	3132463001	Support Leg	2
40	SRT1039	3550846002	Fulcrum Pin	1
41	SRT1039	5680186001	Inner Hexagon Spanner	1
42	SRT1039	3132467001	Clapboard	2
43	SRT1039	3132464001	Table Top Insert	1
44	SRT1039	3132465001	Table Top Insert	1
45	SRT1039	3132466001	Table Top Insert	1