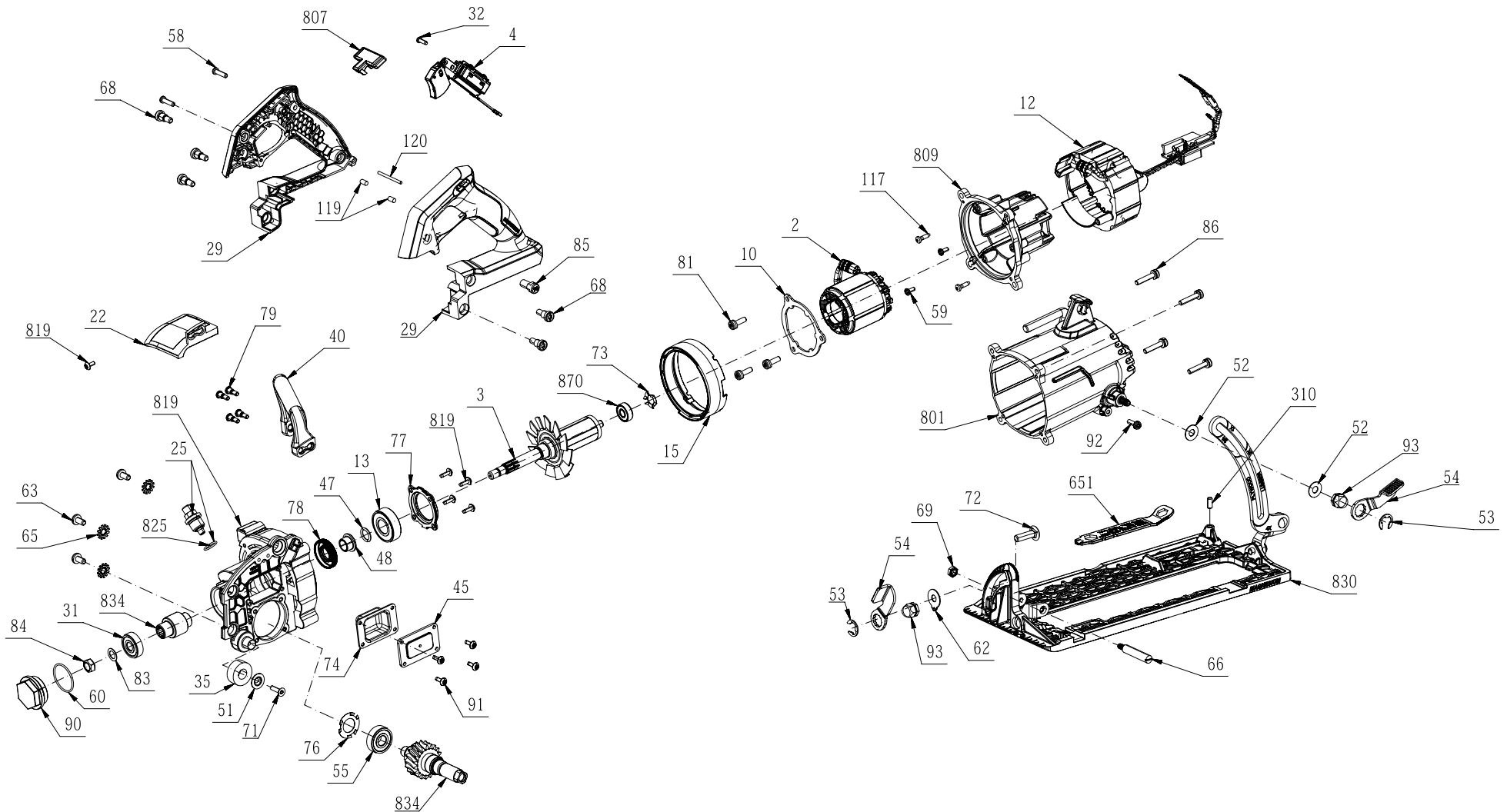


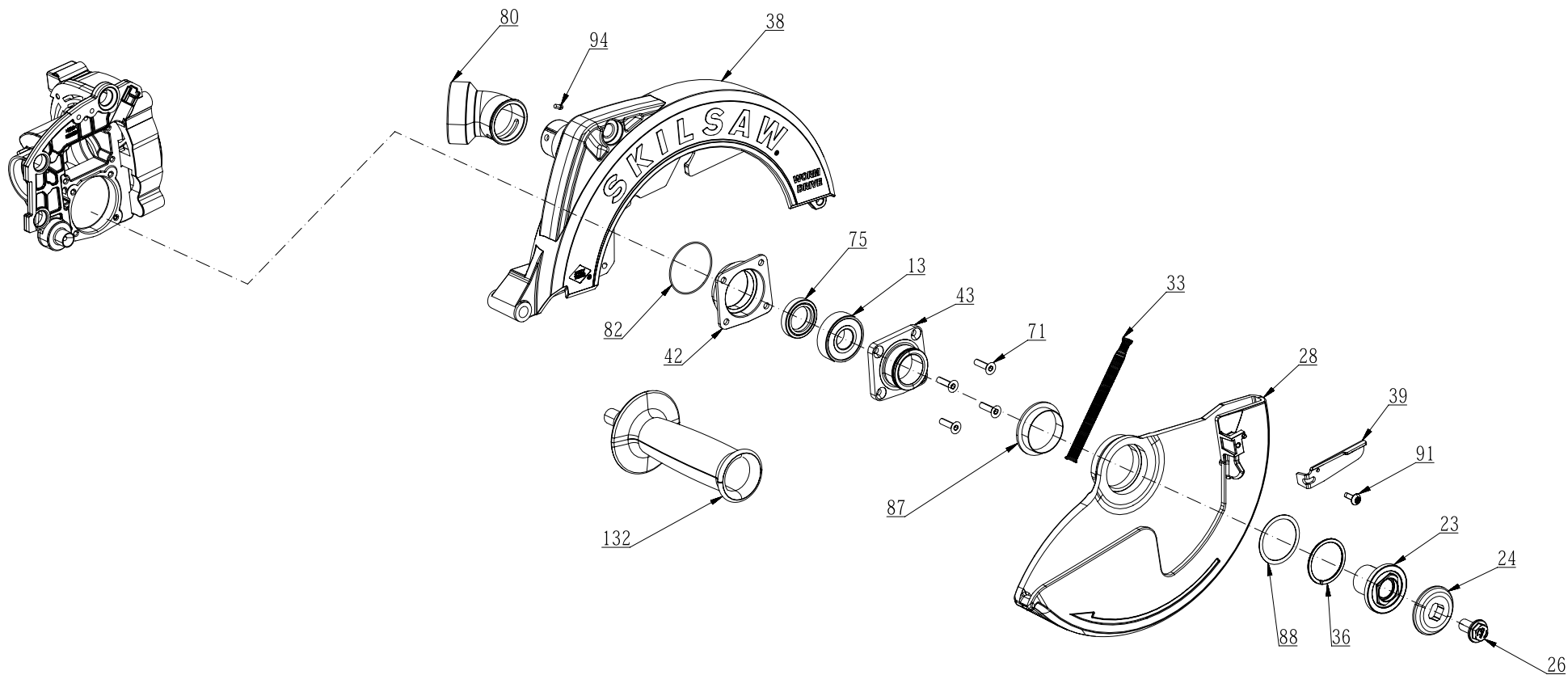


Product Description: Circular Saw
Model Number:
SPTH70M-01/-11/-21/-02/-12/-22
Body Number: 0740034001
Version: A
Issue Date: 2020/06/01





Product Description: Circular Saw
Model Number:
SPTH70M-01/-11/-21/-02/-12/-22
Body Number: 0740034001
Version: A
Issue Date: 2020/06/01



No.	Product Model#	Part Number	Description	Qty
2	SPTH70M-01/11/21/02/12/22	2740513001	Stator	1
3	SPTH70M-01/11/21/02/12/22	2751203001	Rotor	1
4	SPTH70M-01/11/21/02/12/22	4870740001	Trigger Switch	1
10	SPTH70M-01/11/21/02/12/22	3706939001	Clamp	1
12	SPTH70M-01/11/21/02/12/22	2830700001	5423 Electric Assembly	1
13	SPTH70M-01/11/21/02/12/22	5700058006	Ball Bearing	2
15	SPTH70M-01/11/21/02/12/22	3130109001	Fan Baffle	1
22	SPTH70M-01/11/21/02/12/22	3129158003	Hood	1
23	SPTH70M-01/11/21/02/12/22	3521013001	Inner Flange	1
24	SPTH70M-01/11/21/02/12/22	3552742001	Outer Flange	1
25	SPTH70M-01/11/21/02/12/22	2825427001	Spindle Lock ASSY	1
26	SPTH70M-01/11/21/02/12/22	5640257001	Flange Bolt	1
28	SPTH70M-01/11/21/02/12/22	3422068002	Lower Guard	1
29	SPTH70M-01/11/21/02/12/22	3900142002	L R Housing Set	1
31	SPTH70M-01/11/21/02/12/22	5700013014	Ball Bearing	1
32	SPTH70M-01/11/21/02/12/22	5610328001	Hexalobular Socket Screw	1
33	SPTH70M-01/11/21/02/12/22	3660668001	Tension Spring	1
35	SPTH70M-01/11/21/02/12/22	3129141001	Gasket	1
36	SPTH70M-01/11/21/02/12/22	5660250001	Circlip For Shaft	1
38	SPTH70M-01/11/21/02/12/22	3422599001	Upper Guard	1
39	SPTH70M-01/11/21/02/12/22	3706463001	Lever	1
40	SPTH70M-01/11/21/02/12/22	3129162003	Auxiliary Handle	1
42	SPTH70M-01/11/21/02/12/22	3422074001	Bearing Holder	1
43	SPTH70M-01/11/21/02/12/22	3521015001	Bearing Cover	1
45	SPTH70M-01/11/21/02/12/22	3706404001	Cover	1
47	SPTH70M-01/11/21/02/12/22	5690368001	O Ring	1
48	SPTH70M-01/11/21/02/12/22	3552841001	Bush	1
51	SPTH70M-01/11/21/02/12/22	5650612001	Washer	1
52	SPTH70M-01/11/21/02/12/22	5650641001	Plain Washer	2
53	SPTH70M-01/11/21/02/12/22	5660252001	Circlip	2
54	SPTH70M-01/11/21/02/12/22	3706392001	Lock Lever	2
55	SPTH70M-01/11/21/02/12/22	5700015024	Ball Bearing	1
58	SPTH70M-01/11/21/02/12/22	5610324001	Hexalobular Socket Screw	3
59	SPTH70M-01/11/21/02/12/22	5610334001	Screw with Washer	2
60	SPTH70M-01/11/21/02/12/22	5690372001	O Ring	1
62	SPTH70M-01/11/21/02/12/22	5650617001	Washer	1
63	SPTH70M-01/11/21/02/12/22	5620590001	Hexagon Socket Screw	3
65	SPTH70M-01/11/21/02/12/22	5650615001	Lock Washer	3
66	SPTH70M-01/11/21/02/12/22	5620591001	Shoulder Screw	1
68	SPTH70M-01/11/21/02/12/22	5620592001	Shoulder Screw	5
69	SPTH70M-01/11/21/02/12/22	5630311001	Nut	1
71	SPTH70M-01/11/21/02/12/22	5620593001	Hexagon Socket Screw	5
72	SPTH70M-01/11/21/02/12/22	5620594001	Hexagon Socket Screw	1
73	SPTH70M-01/11/21/02/12/22	5650616001	Spring Washer	1
74	SPTH70M-01/11/21/02/12/22	5690373001	Rubber Gasket	1
75	SPTH70M-01/11/21/02/12/22	5690374001	Frame Seal	1
76	SPTH70M-01/11/21/02/12/22	5650625001	Spring Washer	1
77	SPTH70M-01/11/21/02/12/22	3521130001	Bearing Cover	1
78	SPTH70M-01/11/21/02/12/22	5690375001	Frame Seal	1
79	SPTH70M-01/11/21/02/12/22	5620600001	Shoulder Screw	4
80	SPTH70M-01/11/21/02/12/22	3131312001	Dust Tube	1
81	SPTH70M-01/11/21/02/12/22	5620609001	Screw with Washer	3
82	SPTH70M-01/11/21/02/12/22	5690379001	O Ring	1
83	SPTH70M-01/11/21/02/12/22	5650622001	Plain Washer	1
84	SPTH70M-01/11/21/02/12/22	5630312001	Nut	1
85	SPTH70M-01/11/21/02/12/22	5640337001	Lock Bolt	1
86	SPTH70M-01/11/21/02/12/22	5620706001	Screw and Washer	4
87	SPTH70M-01/11/21/02/12/22	3129149001	Bush	1
88	SPTH70M-01/11/21/02/12/22	3706425001	Bushing	1
90	SPTH70M-01/11/21/02/12/22	3129173001	Bearing Cover	1
91	SPTH70M-01/11/21/02/12/22	5610326001	Hexalobular Socket Screw	5
92	SPTH70M-01/11/21/02/12/22	5610327001	Screw with Washer	1
93	SPTH70M-01/11/21/02/12/22	5630313001	Acorn Nut	2
94	SPTH70M-01/11/21/02/12/22	5620635001	Hexalobular Socket Screw	1

No.	Product Model#	Part Number	Description	Qty
117	SPTH70M-01/11/21/02/12/22	5610223001	Hexagon Lobuar Screw	2
119	SPTH70M-01/11/21/02/12/22	3123928002	Rubber Pole	2
120	SPTH70M-01/11/21/02/12/22	5670020002	Parallel Pin	1
132	SPTH70M-01/11/21/02/12/22	2825431001	Auxiliary Handle ASSY	1
310	SPTH70M-01/11/21/02/12/22	5620634001	Set Screw	1
651	SPTH70M-01/11/21/02/12/22	5680232001	Wrench	1
801	SPTH70M-01/11/21/02/12/22	2827487001	Housing Assembly	1
807	SPTH70M-01/11/21/02/12/22	2826837001	Button Unit	1
809	SPTH70M-01/11/21/02/12/22	2826838001	Motor Housing ASSY	1
819	SPTH70M-01/11/21/02/12/22	2827458001	Gear Case Assembly	1
825	SPTH70M-01/11/21/02/12/22	5690378001	O Ring	1
830	SPTH70M-01/11/21/02/12/22	2827486001	Base Plate Assembly	1
834	SPTH70M-01/11/21/02/12/22	3570116001	Worm and Gear Set	1
870	SPTH70M-01/11/21/02/12/22	2825668001	Bearing Assembly	1