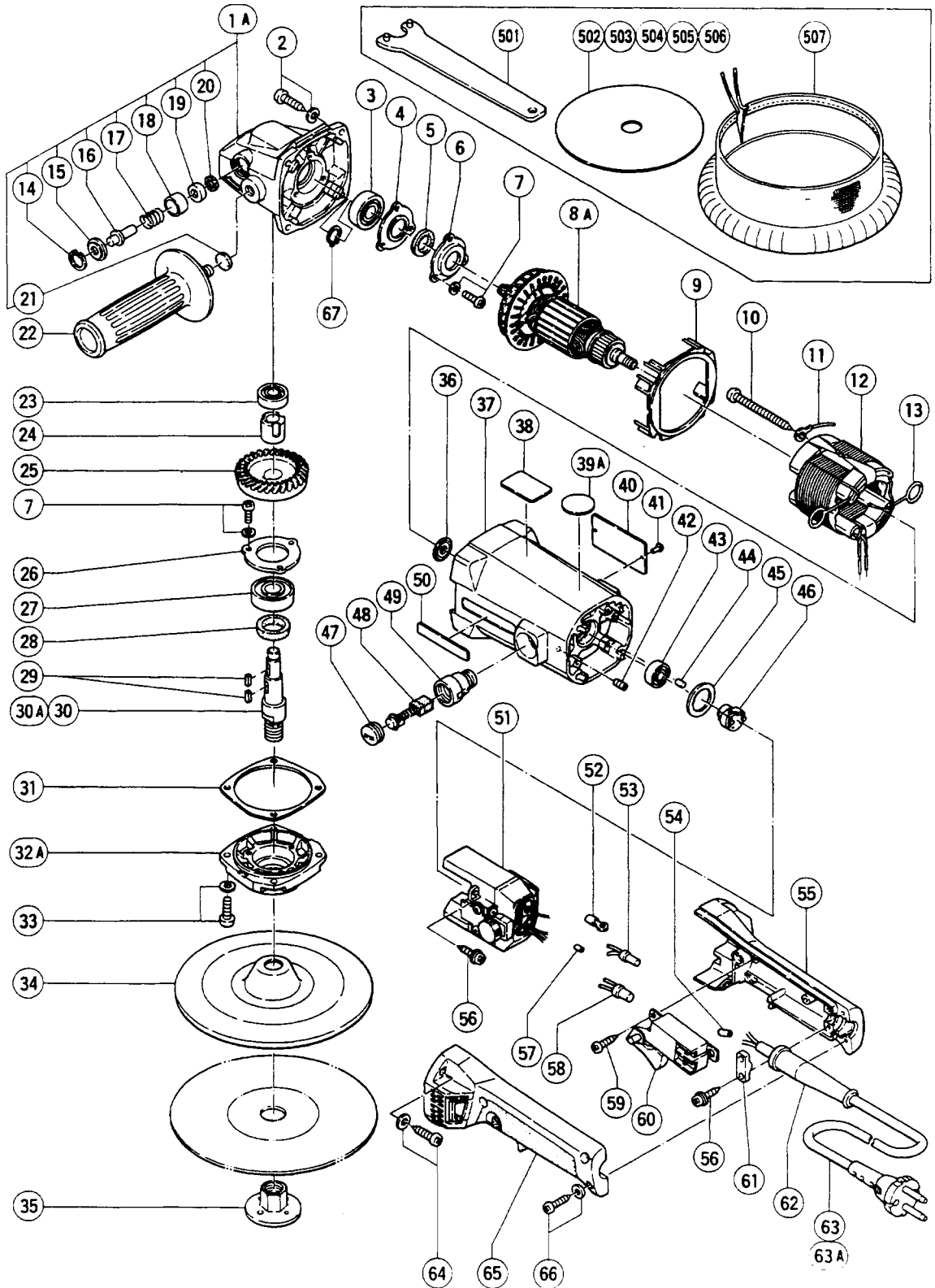


ELECTRIC TOOL PARTS LIST

■ **DISC SANDERS**
Model SP 18V

1994 · 4 · 4
(E7)



PARTS

SP 18V

ITEM NO.	CODE NO.	DESCRIPTION	NO. USED	REMARKS
1A	996-070	GEAR COVER ASS'Y	1	INCLUD.14 – 21.23
2	982-032	TAPPING SCREW (W/SP. WASHER) D5X25	4	
3	620-1T1	BALL BEARING 6201T12VVC3PS2S	1	
4	953-265	DISTANCE PLATE	1	
5	990-864	FELT PACKING (A)	1	
6	953-236	BEARING COVER	1	
7	987-203	SEAL LOCK SCREW (W/SP. WASHER) M4X12	6	
* 8A	360-064C	ARMATURE 110V – 115V	1	
* 8A	360-064D	ARMATURE 120V – 127V	1	
* 8A	360-064E	ARMATURE 220V – 230V	1	
* 8A	360-064F	ARMATURE 240V	1	
9	986-171	FAN GUIDE	1	
10	956-669	TAPPING SCREW D5X55	2	
* 11	981-010	INTERNAL WIRE	1	
* 11	990-861	INTERNAL WIRE	1	FOR SUI
* 12	340-102C	STATOR ASS'Y 110V – 115V	1	INCLUD.13
* 12	340-102D	STATOR ASS'Y 120V – 127V	1	INCLUD.13
* 12	340-102E	STATOR ASS'Y 220V – 230V	1	INCLUD.13
* 12	340-102F	STATOR ASS'Y 240V	1	INCLUD.13
* 12	340-102G	STATOR ASS'Y 240V	1	INCLUD.13 FOR AUS
13	930-703	BRUSH TERMINAL	2	
14	948-011	RETAINING RING FOR D16 HOLE	1	
15	938-595	DUST SEAL	1	
16	938-394	LOCK PIN	1	
17	938-597	SPRING	1	
18	938-596	RING	1	
19	938-598	BUSHING	1	
20	938-599	FELT PACKING (C)	1	
21	937-033	FELT WASHER	1	
22	981-205	SIDE HANDLE FOR M10	1	
23	600-0VV	BALL BEARING 6000VVCMP2S	1	
24	938-395	SLEEVE	1	
25	996-071	GEAR	1	
26	937-077	BEARING COVER (A)	1	
27	620-2VV	BALL BEARING 6202VVCMP2S	1	
28	938-403	FELT PACKING	1	
29	940-533	FEATHER KEY 3X3X10	2	
* 30	996-080	SPINDLE M14	1	
* 30A	996-081	SPINDLE 5/8" – 11UNC	1	FOR USA,CAN
31	986-179	SEAL PACKING (B)	1	
32A	996-072	PACKING GLAND	1	
33	993-985	SEAL LOCK SCREW (W/SP. WASHER) M5X16	4	
* 34	953-247Z	RUBBER PAD (D14 HOLE)	1	
* 34	953-255	RUBBER PAD (D16 HOLE)	1	FOR USA,CAN
* 35	953-246Z	WASHER NUT M14	1	
* 35	953-254P	WASHER NUT 5/8" – 11UNC	1	FOR USA,CAN
36	956-387	DUST SEAL (A)	1	
* 37	996-078	HOUSING ASS'Y	1	INCLUD.42,49
* 37	996-079	HOUSING ASS'Y	1	INCLUD.42,49 FOR AUT
38		SETTING SEAT	1	
39A	986-914	MARK PLATE	1	

*: ALTERNATIVE PARTS

PARTS

SP 18V

ITEM NO.	CODE NO.	DESCRIPTION	NO. USED	REMARKS
40		NAME PLATE	1	
* 41	949-509	RIVET D2.5X3.2 (10 PCS.)	2	
42	985-114	HEX. SOCKET SET SCREW M4X6	2	
43	608-VVM	BALL BEARING 608VVMC2EPS2L	1	
44	931-701	BEARING LOCK	1	
45	986-172	DUST SEAL	1	
46	996-082	ROTOR (B)	1	
* 47	945-161	BRUSH CAP	2	
* 47	961-781	BRUSH CAP	2	FOR AUT
48	999-043	CARBON BRUSH (1 PAIR)	2	
* 49	958-900	BRUSH HOLDER	2	
* 49	981-586	BRUSH HOLDER	2	FOR AUT
50	957-561	HITACHI LABEL	1	
* 51	996-075	CONTROLLER 110V - 115V	1	
* 51	996-076	CONTROLLER 120V - 127V	1	
* 51	996-077	CONTROLLER 220V - 240V	1	
* 51	996-084	CONTROLLER 220V	1	FOR SUI
* 52	930-804	TERMINAL M4.0 (10 PCS.)	1	FOR CONTROLLER
* 53	959-140	CONNECTOR 50091 (10 PCS.)	1	
* 54	981-373	TUBE (D)	2	FOR CORD
55	986-181	HANDLE (A)	1	
56	984-750	TAPPING SCREW (W/FLANGE) D4X18	6	
* 57	981-373	TUBE (D)	1	FOR CONTROLLER
* 58	959-141	CONNECTOR 50092 (10 PCS.)	1	
59	954-017	TAPPING SCREW D4X12	1	
* 60	956-632	SWITCH (B) (2P SCREW TYPE) W/LOCK	1	110V - 127V
* 60	931-573	SWITCH (2P PILLAR TYPE) W/LOCK	1	220V - 240V
* 60	953-178	SWITCH (2P PILLAR TYPE) W/SAFETY LOCK	1	220V FOR FRA
61	960-266	CORD CLIP	1	
* 62	958-049Z	CORD ARMOR D8.2	1	
* 62	940-778	CORD ARMOR D10.7	1	
* 63	500-201Z	CORD	1	(CORD ARMOR D10.7)
* 63	500-223Z	CORD	1	(CORD ARMOR D10.7) FOR SIN.KUW
* 63	500-234Z	CORD	1	(CORD ARMOR D8.2) FOR INA.SUR.ITA.FRG. FRA.HOL.DEN.AUT
* 63	500-226Z	CORD	1	(CORD ARMOR D10.7)FOR AUS.NGU
* 63	500-237Z	CORD	1	(CORD ARMOR D8.2) FOR GBR (110V),SAF
* 63	500-240Z	CORD	1	(CORD ARMOR D8.2) FOR USA.CAN
* 63	500-245Z	CORD	1	(CORD ARMOR D10.7) FOR SYR
* 63	500-247Z	CORD	1	(CORD ARMOR D10.7) FOR SWE.NOR
* 63	500-248Z	CORD	1	(CORD ARMOR D10.7) FOR SUI
* 63A	500-435Z	CORD	1	(CORD ARMOR D8.2) FOR GBR (240V)
64	985-605	TAPPING SCREW (W/WASHER) D5X25	4	
65	996-073	HANDLE (B)	1	
66	982-095	TAPPING SCREW (W/WASHER) D4X20	3	
67	939-542	RETAINING RING FOR D12 SHAFT (10 PCS.)	1	

*: ALTERNATIVE PARTS

STANDARD ACCESSORIES

SP 18V

ITEM NO.	CODE NO.	DESCRIPTION	NO. USED	REMARKS
501	937-913Z	WRENCH	1	
502	939-042	SANDING DISCS 180MM CC24 (10 PCS.)	1	
* 503	939-043	SANDING DISCS 180MM CC30 (10 PCS.)	1	EXCEPT FOR GBR
504	939-047	SANDING DISCS 180MM CC50 (10 PCS.)	1	
* 505	939-049	SANDING DISCS 180MM CC80 (10 PCS.)	1	
* 505	939-188	SANDING DISCS 180MM AA80 (10 PCS.)	1	FOR GBR
* 506	939-051	SANDING DISCS 180MM CC120 (10 PCS.)	1	
* 506	939-190	SANDING DISCS 180MM AA120 (10 PCS.)	1	FOR GBR
507	949-103	WOOL BONNET 180MM	1	

OPTIONAL ACCESSORIES

ITEM NO.	CODE NO.	DESCRIPTION	NO. USED	REMARKS
601	986-187	THRUST WASHER (B)	1	
602	939-574	SANDING DISCS 180MM CC18 (10 PCS.)	1	
603	939-041	SANDING DISCS 180MM CC20 (10 PCS.)	1	
604	939-044	SANDING DISCS 180MM CC38 (10 PCS.)	1	
605	939-045	SANDING DISCS 180MM CC40 (10 PCS.)	1	
606	939-048	SANDING DISCS 180MM CC60 (10 PCS.)	1	
607	939-050	SANDING DISCS 180MM CC100 (10 PCS.)	1	
608	939-180	SANDING DISCS 180MM AA16 (10 PCS.)	1	
609	939-187	SANDING DISCS 180MM AA80 (10 PCS.)	1	
610	939-189	SANDING DISCS 180MM AA100 (10 PCS.)	1	