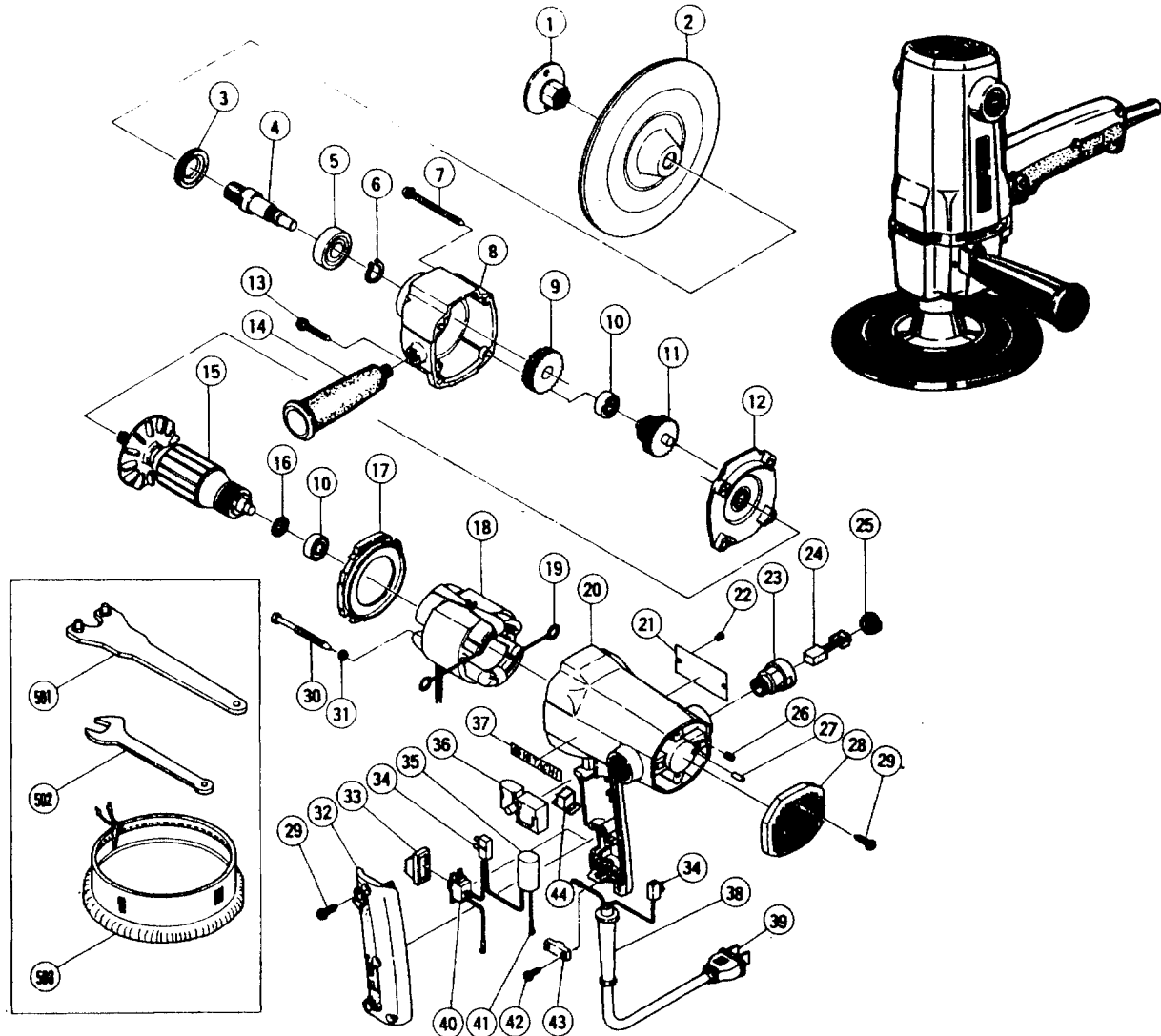




HITACHI

SANDER POLISHER

Model SP 18T



ITEM NO.	PART NO.	NO. USED	DESCRIPTION	SUPPLY Q'TY	ITEM NO.	PART NO.	NO. USED	DESCRIPTION	SUPPLY Q'TY
1	953254P	1	Washer Nut		24	981612Z	1	Carbon Brush Auto Stop Type	2
2	953255	1	Rubber Pad		25	961781	2	Brush Cap	
3	940821	1	Bearing Cap		26	961681	2	Set Screw M4x5	
4	990595	1	Spindle		27	945801	1	Bearing Lock	
5	6202DD	1	Ball Bearing 6202DDUCMPS2S		28	990586	1	Tail Cover	
6	939544	1	Retaining Ring 15mm	10	29	982095	6	Tapping Screw D4x20 w / Washer	
7	946141	2	Tapping Screw D5x70 957725		30	961501	2	Hexagon Head Tapping Screw D5x60	
8	990582	1	Gear Cover		31	949454	2	Spring Washer M5	10
9	990585	1	Final Gear		32	990584	1	Handle Cover	
10	608VVM	2	Ball Bearing 608VVMC2EPS2L		33	971792	1	Slide Switch Cover	
11	990583	1	Second Pinion		34	990592	1	Pillar Terminal (B)	
12	990581	1	Inner Cover		35	990591	1	Diode	
13	986440 9318752	1	Tapping Screw D5x3.5 w / Spring Lock Washer		36	957747	1	Single Pole Switch	
14	981828	1	Side Handle		37	957561	1	HITACHI Label	
15	990588C	1	Armature		38	953327	1	Cord Armor	
16	980698	1	Dust Washer (A)		39	500240Z	1	Cord	
17	990593	1	Fan Guide		40	990590	1	Slide Switch	
18	990587C	1	Stator Assembly (includes item 19)		41	980063	1	Terminal	
19	930703	1	Brush Terminal		42	984750	1	Tapping Screw D4x16 w / Washer	2
20	990580	1	Housing Assembly (includes item 23, 26)		43	960266	1	Cord Clip	
21	-	2	Name Plate		44	990594	1	Dust Packing	
22	932642	2	Rivet D2.5x4.8		45	990592	1	Pillar Terminal (B)	
23	981586	2	Brush Holder						